



US00D831031S

(12) **United States Design Patent** (10) **Patent No.:** **US D831,031 S**
Burch, V et al. (45) **Date of Patent:** **** Oct. 16, 2018**

(54) **COVER PLATE FOR A DATA LOGGER**

455/557, 556.1, 556.2, 575.4, 569.2,
455/569.1; 248/346.03, 176.1, 181.1,
248/309.1, 221.11; 200/6 R; 206/701;
320/113-115, 107; 379/426; 345/156,
345/901, 905; 439/374, 131, 529, 534,
(Continued)

(71) Applicant: **FEDEX CORPORATE SERVICES, INC.**, Collierville, TN (US)

(72) Inventors: **Reuben F. Burch, V**, Mississippi State, MS (US); **Howard McKinney**, Bartlett, TN (US); **Matthew Doude**, Starkville, MS (US); **Andrew LeClair**, Starkville, MS (US); **Matthew Bilson**, Starkville, MS (US); **Greggory Alan Morris**, Starkville, MS (US); **Davis Donald Hesler**, Biloxi, MS (US)

(56) **References Cited**

U.S. PATENT DOCUMENTS

D190,233 S * 5/1961 Spadaro D13/177
3,462,108 A * 8/1969 Buyken A47B 96/061
248/205.1

(Continued)

Primary Examiner — Susan Moon Lee

(74) *Attorney, Agent, or Firm* — Withers & Keys, LLC

(73) Assignee: **FEDEX CORPORATE SERVICES, INC.**, Collierville, TN (US)

(**) Term: **15 Years**

(57) **CLAIM**

The ornamental design for cover plate for a data logger, as shown and described.

(21) Appl. No.: **29/577,418**

(22) Filed: **Sep. 13, 2016**

(51) **LOC (11) Cl.** **14-02**

(52) **U.S. Cl.**
USPC **D14/453**

DESCRIPTION

(58) **Field of Classification Search**

USPC D14/420-425, 434, 447, 453, 432, 439,
D14/356, 366, 389, 433, 385, 357, 149,
D14/457, 253, 251, 242, 344; D18/55,
D18/49, 46, 40, 36-39, 41, 44, 45, 47,
D18/48, 50-54, 56, 12; 235/462, 455,
235/470, 462.43, 482, 483, 462.2, 462.14,
235/486, 472.01; 358/474, 486, 488, 496,
358/497, 498, 452, 449, 451, 453, 1.13;
318/685, 696; 355/81, 75; 399/405, 367,
399/379, 380; 382/217; 715/209, 222,
715/226, 274; 400/613, 613.1-613.4,
400/690.1-690.4, 691-694; D13/108,
D13/118, 199, 107, 177, 152; D8/349,
D8/380-382, 354, 356; D3/218, 228,
D3/269; 361/683, 686, 679, 600;

FIG. 1 is a perspective view of a cover plate for a data logger showing our new design;

FIG. 2 is a frontal view of the cover plate for a data logger shown in FIG. 1;

FIG. 3 is a rear view of the cover plate for a data logger shown in FIG. 1;

FIG. 4 is a side view thereof as viewed from the left-hand side of the cover plate for a data logger shown in FIG. 1;

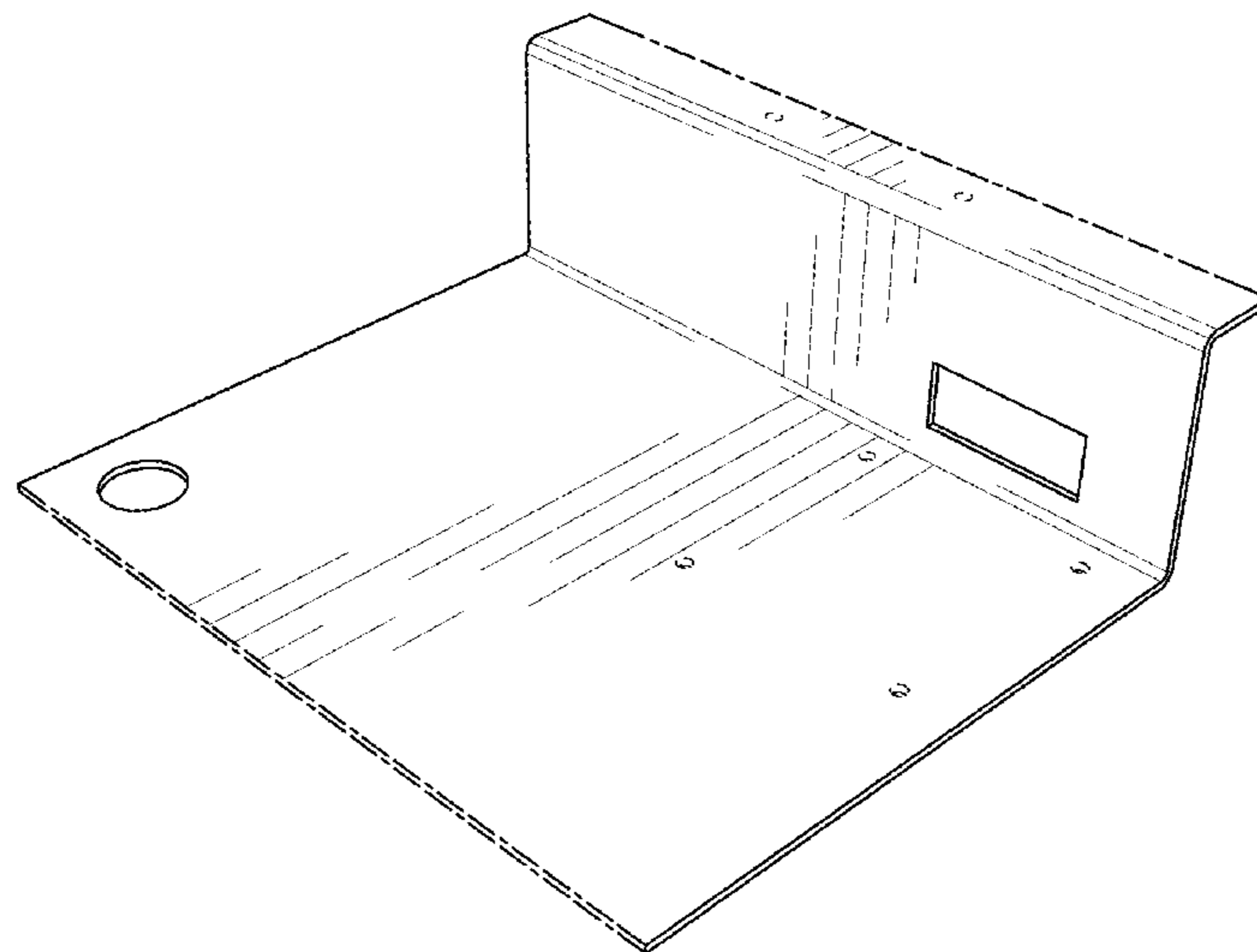
FIG. 5 is a side view thereof as viewed from the right-hand side of the cover plate for a data logger shown in FIG. 1;

FIG. 6 is a top view thereof; and,

FIG. 7 is a bottom view thereof.

The broken lines shown in the drawings illustrate portions of the cover plate for a data logger that form no part of the claimed design.

1 Claim, 7 Drawing Sheets



(58) **Field of Classification Search**

USPC 439/929, 346, 31, 640; 429/100;
D25/136
CPC H04N 1/00; H04N 1/12; H04N 1/00013;
H04N 1/00015; H04N 1/00018; H04N
1/00026; H04N 1/00557; H04N 1/00564;
H04N 1/00567; H04N 1/0057; H04N
1/00572; H04N 1/00586; H04N 1/00588;
H04N 1/00591; H04N 1/00594; H04N
1/00596; H04N 1/00604; H04N 1/00519;
H04N 1/00559; H04N 1/1013; H04N
1/10; H04N 1/00551; H04N 1/00278;
H04N 2201/0456; H04N 2201/0446;
H04N 2201/00; H04N 2201/0094; G03G
15/0142; G03G 15/605; G03G 15/602;
B65H 5/26; B65H 5/30; B65H 5/36;
B65H 7/00; B65H 2402/515; B65H
2402/31; B65H 2511/20; B65H 2511/414;
B65H 2513/42; B65H 2801/39; B65H
2801/31; B65H 2215/00189; B65H
2215/00194; B65H 2215/00198; B65H
2215/00202; B65H 2215/00206; B65H
2215/20; B65H 2301/00; B65H 2220/04;
B65H 3/5261; G06K 7/015

See application file for complete search history.

(56) **References Cited**

U.S. PATENT DOCUMENTS

3,740,013 A * 6/1973 Bentley A45D 44/14
223/66
D236,251 S * 8/1975 Cunningham D8/354
3,953,015 A * 4/1976 Taylor E04F 21/185
269/46
D274,803 S * 7/1984 Hughes D12/126
D288,171 S * 2/1987 Dey D8/366
4,713,714 A * 12/1987 Gatti G11B 33/08
248/581
5,366,194 A * 11/1994 Finney F16M 13/022
248/187.1
D366,235 S * 1/1996 Schmidt D12/187
D370,002 S * 5/1996 Miller D12/223
D372,447 S * 8/1996 McCoy D12/162
D378,748 S * 4/1997 Miller D12/223
D378,749 S * 4/1997 Miller D12/223
D391,915 S * 3/1998 Miller D12/223
D394,377 S * 5/1998 Najewski D8/354
D398,283 S * 9/1998 Miller D12/223

5,808,864 A * 9/1998 Jung G06F 1/184
361/679.32
D409,077 S * 5/1999 Brooks D8/354
D431,770 S * 10/2000 Willet D8/354
D438,778 S * 3/2001 Ribe D8/354
D442,065 S * 5/2001 Rohde D8/356
D458,111 S * 6/2002 Petri D8/349
D482,261 S * 11/2003 Kobayashi D8/349
D487,222 S * 3/2004 Balaban D8/354
D518,901 S * 4/2006 Stackenwalt D25/136
7,218,513 B2 * 5/2007 Yang G06F 1/184
312/223.2
D563,331 S * 3/2008 Rosen D13/177
D598,024 S * 8/2009 Scott D14/432
D609,553 S * 2/2010 Koizumi D8/354
D609,554 S * 2/2010 Koizumi D8/354
7,916,268 B2 * 3/2011 Tanaka G03F 7/707
355/30
D639,753 S * 6/2011 Saari D13/164
8,035,961 B2 * 10/2011 Figuerado G06F 1/187
361/679.37
D667,289 S * 9/2012 Preda D8/354
D667,799 S * 9/2012 Lin D13/177
8,292,184 B2 * 10/2012 Turbovich G06K 7/089
235/462.45
D681,635 S * 5/2013 Wang D14/366
D687,393 S * 8/2013 Lin D13/177
D691,972 S * 10/2013 Lin D13/177
D693,483 S * 11/2013 Krieger E04F 13/0826
D25/119
D707,686 S * 6/2014 White D14/453
D707,687 S * 6/2014 White D14/453
D730,545 S * 5/2015 Stauffer D25/133
D732,708 S * 6/2015 Stauffer D25/133
D735,170 S * 7/2015 Colvin D12/223
D745,193 S * 12/2015 Ohshima D25/138
D755,182 S * 5/2016 Bassett D14/432
D761,236 S * 7/2016 Wengreen D14/238.1
D762,217 S * 7/2016 Michaud D14/432
D767,785 S * 9/2016 Smith D25/119
D774,874 S * 12/2016 Wentzel D8/349
D775,932 S * 1/2017 van Hillo D8/349
D778,105 S * 2/2017 Coffey, Jr. D14/447
D782,290 S * 3/2017 Darby D8/381
D807,160 S * 1/2018 Locatell D8/384
2013/0316650 A1 * 11/2013 Reed H04B 7/24
455/41.2
2014/0144989 A1 * 5/2014 White H04N 7/18
235/462.2
2014/0144990 A1 * 5/2014 White G06K 7/015
235/462.2

* cited by examiner

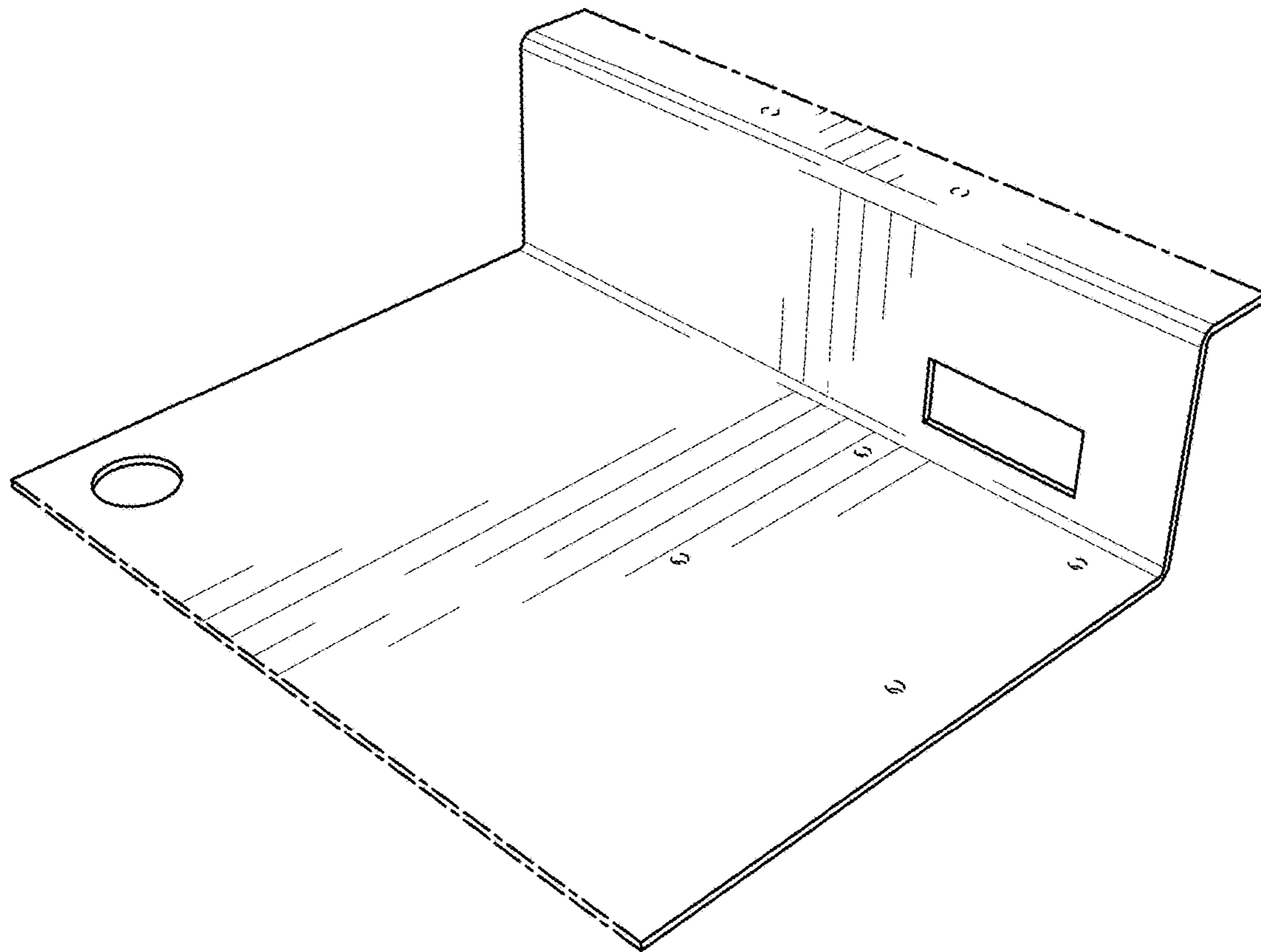


FIG. 1

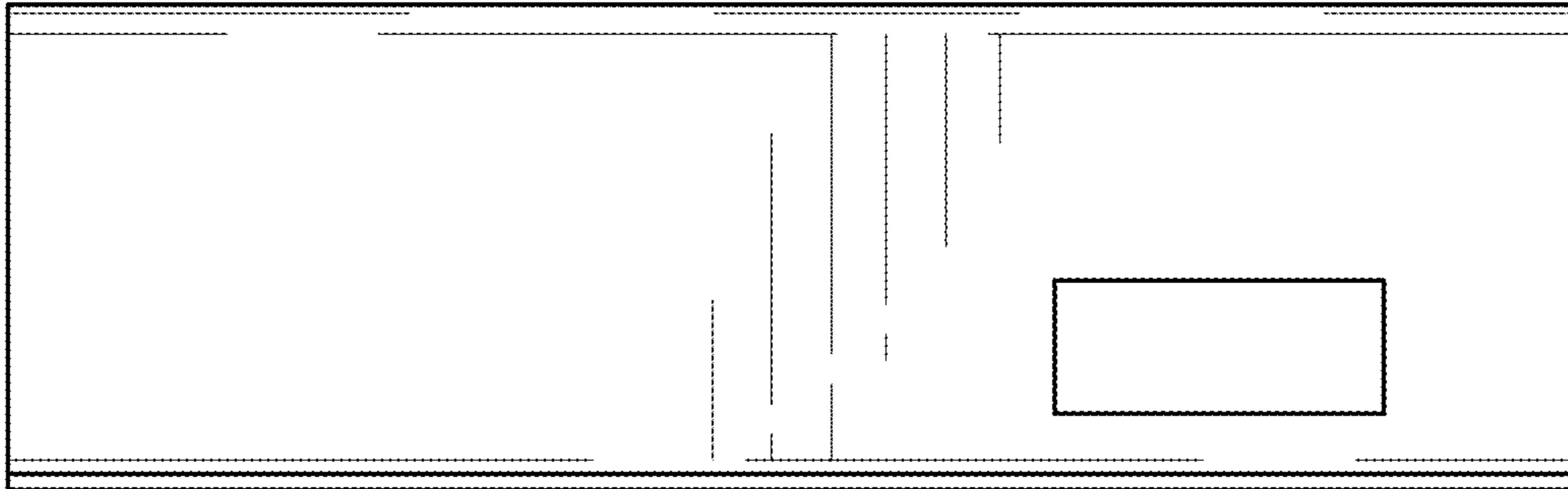


FIG. 2

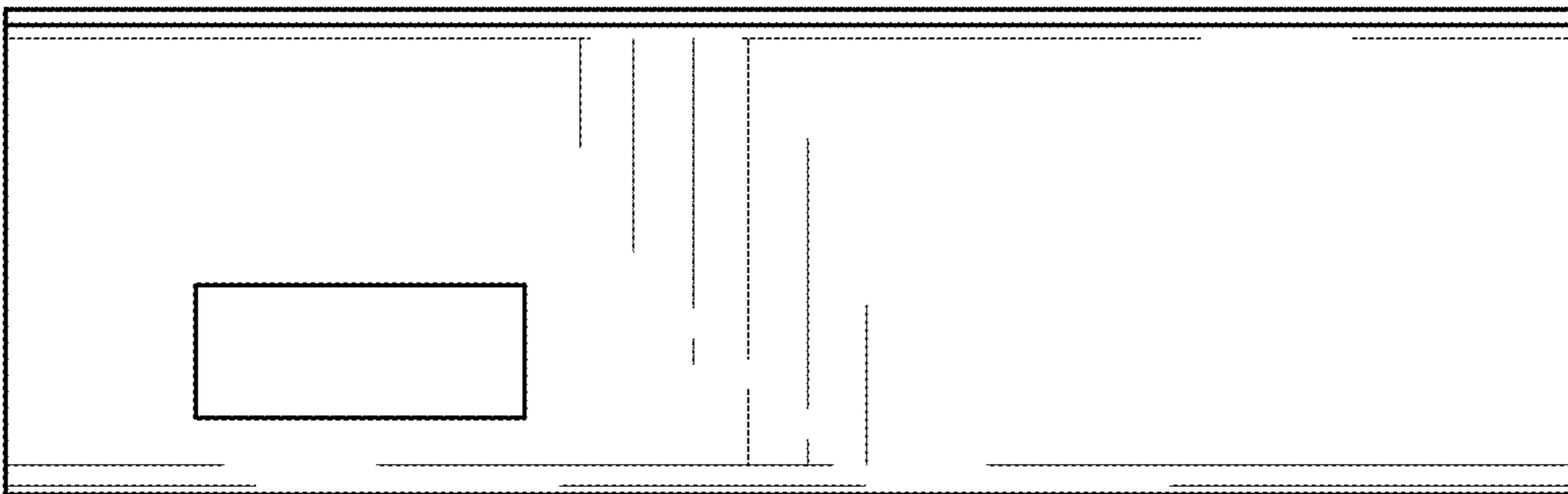


FIG. 3



FIG. 4



FIG. 5

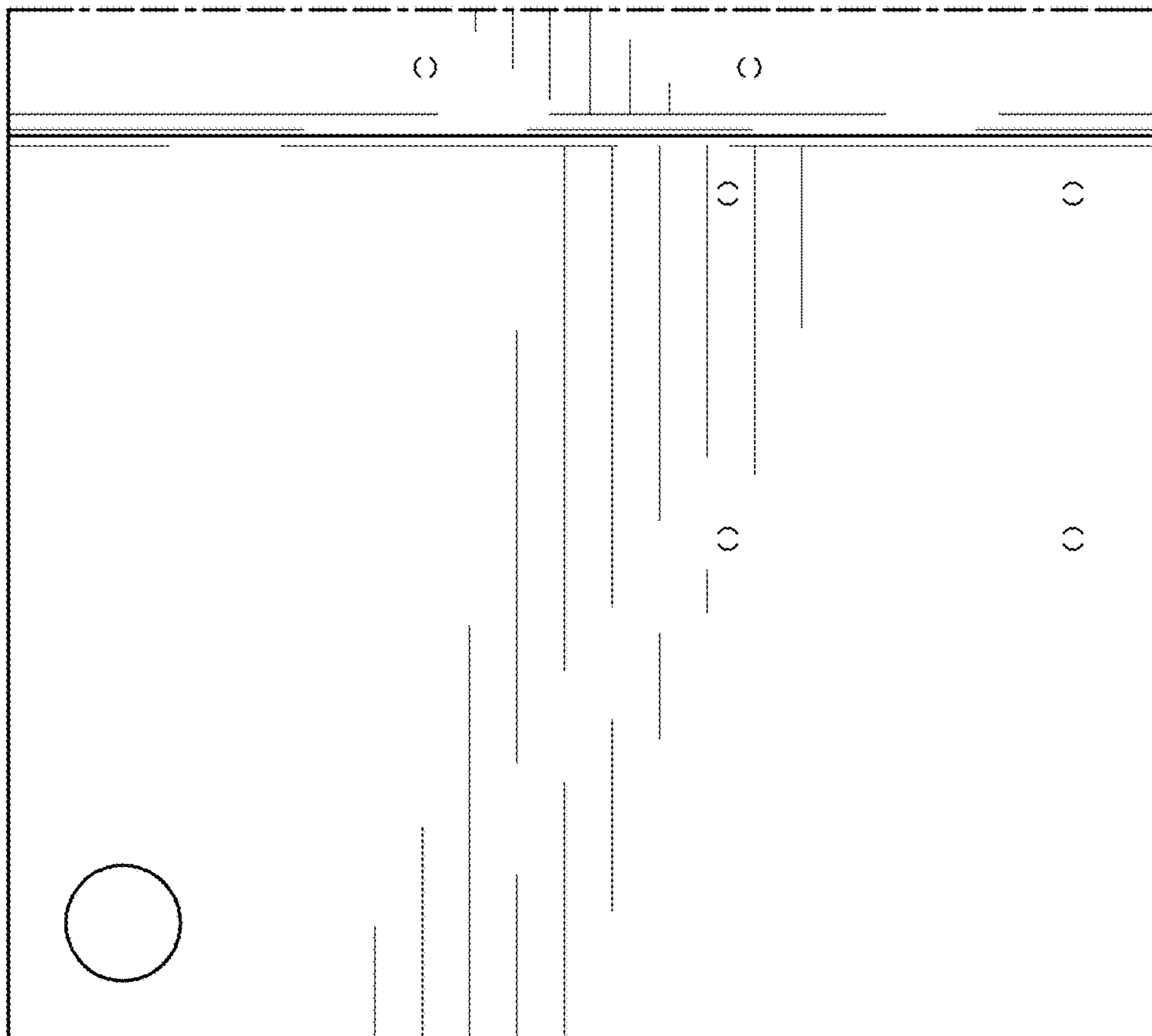


FIG. 6

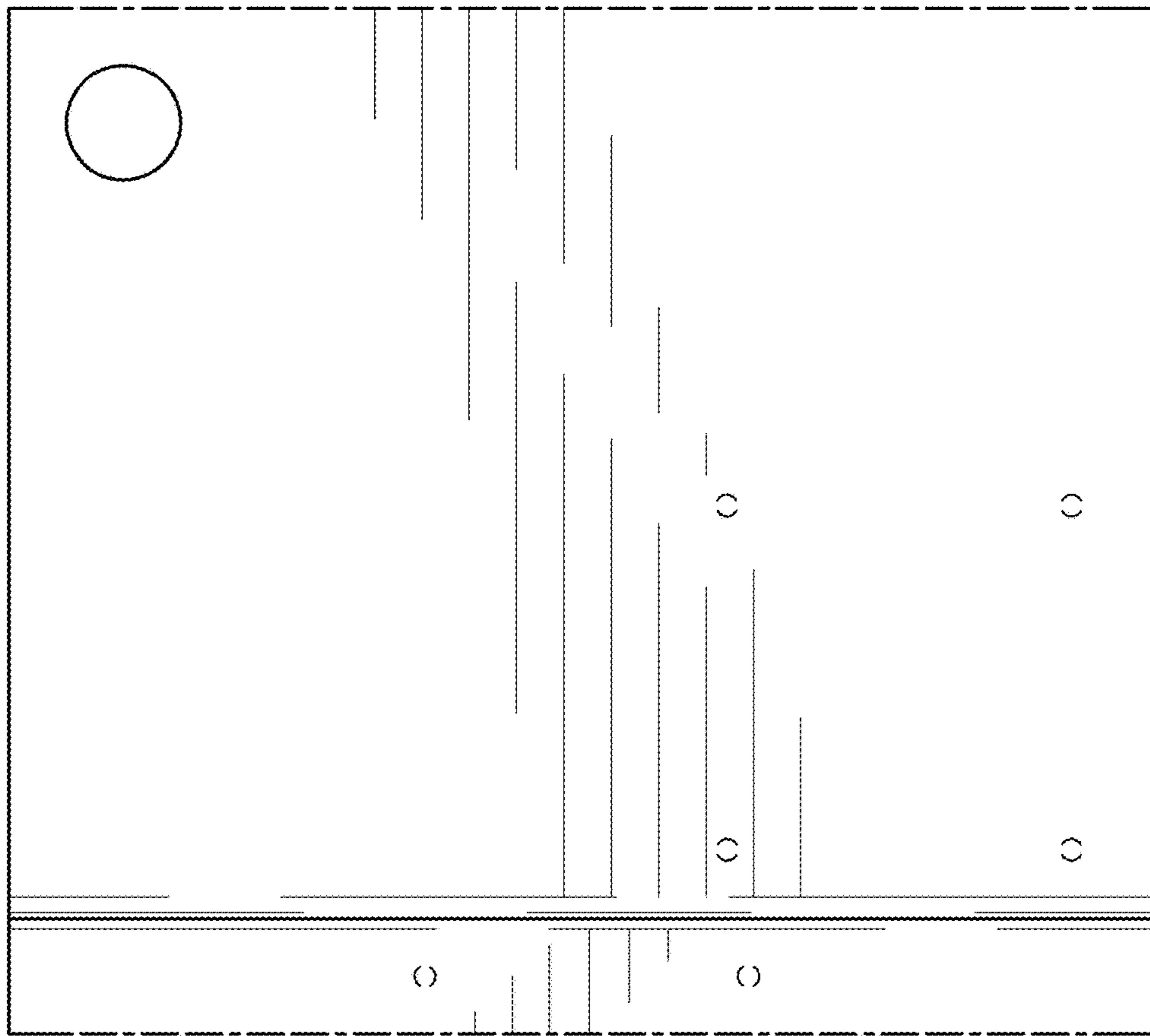


FIG. 7