



US00D831030S

(12) **United States Design Patent**
Gao

(10) **Patent No.:** **US D831,030 S**

(45) **Date of Patent:** **** Oct. 16, 2018**

(54) **TABLET COMPUTER PROTECTIVE CASING**

(71) Applicant: **Bo Gao**, Hefei (CN)

(72) Inventor: **Bo Gao**, Hefei (CN)

(**) Term: **15 Years**

(21) Appl. No.: **29/629,010**

(22) Filed: **Dec. 11, 2017**

(51) **LOC (11) Cl.** **14-02**

(52) **U.S. Cl.**
USPC **D14/440**

(58) **Field of Classification Search**
USPC D14/440; 206/45.23, 320, 45.2;
361/679.55; 294/25; 224/218
CPC ... G06F 1/1628; G06F 1/1626; A47B 23/044;
H04B 1/3888; H05K 5/0217
See application file for complete search history.

(56) **References Cited**

U.S. PATENT DOCUMENTS

D733,154 S *	6/2015	Armstrong	D14/440
D763,853 S *	8/2016	Pearce	D14/440
D790,550 S *	6/2017	Chen	D14/440
D803,221 S *	11/2017	Guo	D14/440
D806,080 S *	12/2017	Chen	D14/440
D807,369 S *	1/2018	Chen	D14/440

D808,973 S *	1/2018	Chen	D14/440
D811,412 S *	2/2018	McCurdy	D14/440
D812,620 S *	3/2018	Cheng	D14/440
2012/0075799 A1 *	3/2012	Pollex	F16M 11/041 361/679.56

* cited by examiner

Primary Examiner — Cynthia R Underwood

(74) *Attorney, Agent, or Firm* — Law Offices of Steven W. Weinrieb

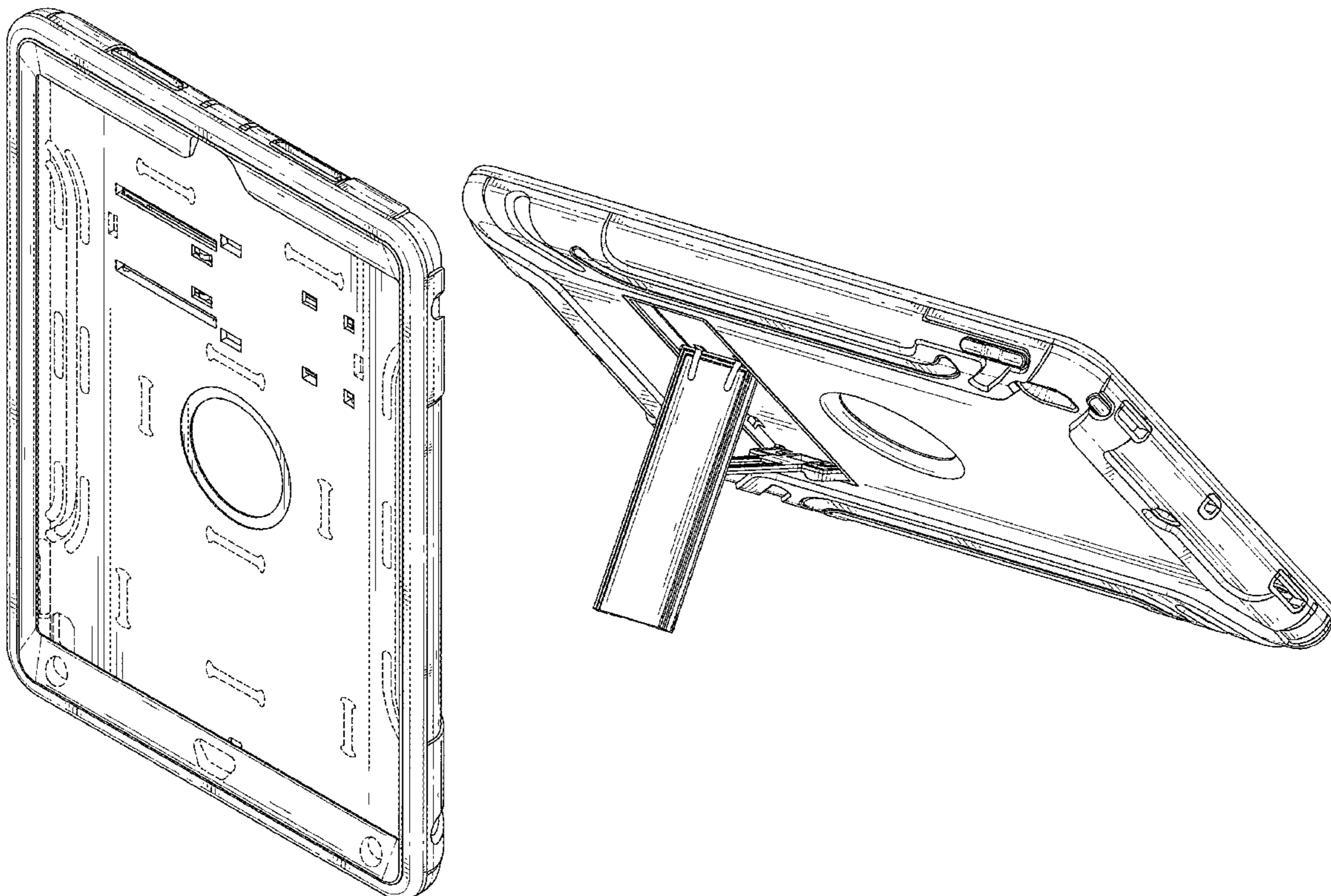
(57) **CLAIM**

The ornamental design for a tablet computer protective casing, as shown and described.

DESCRIPTION

FIG. 1 is a front, right side top perspective view of the tablet computer protective casing showing my new design; FIG. 2 is an inverted rear, left side, perspective view thereof; FIG. 3 is a front elevational view thereof; FIG. 4 is a rear elevational view thereof. FIG. 5 is a left side elevational view thereof; FIG. 6 is a right side elevational view thereof; FIG. 7 is a top plan view thereof; FIG. 8 is a bottom plan view thereof; and, FIG. 9 is a rear, left side, top perspective view thereof with a support member moved to an extended position so as to support the casing in an upright mode. The broken lines represent portions of the structure that forms no part of the claim.

1 Claim, 9 Drawing Sheets



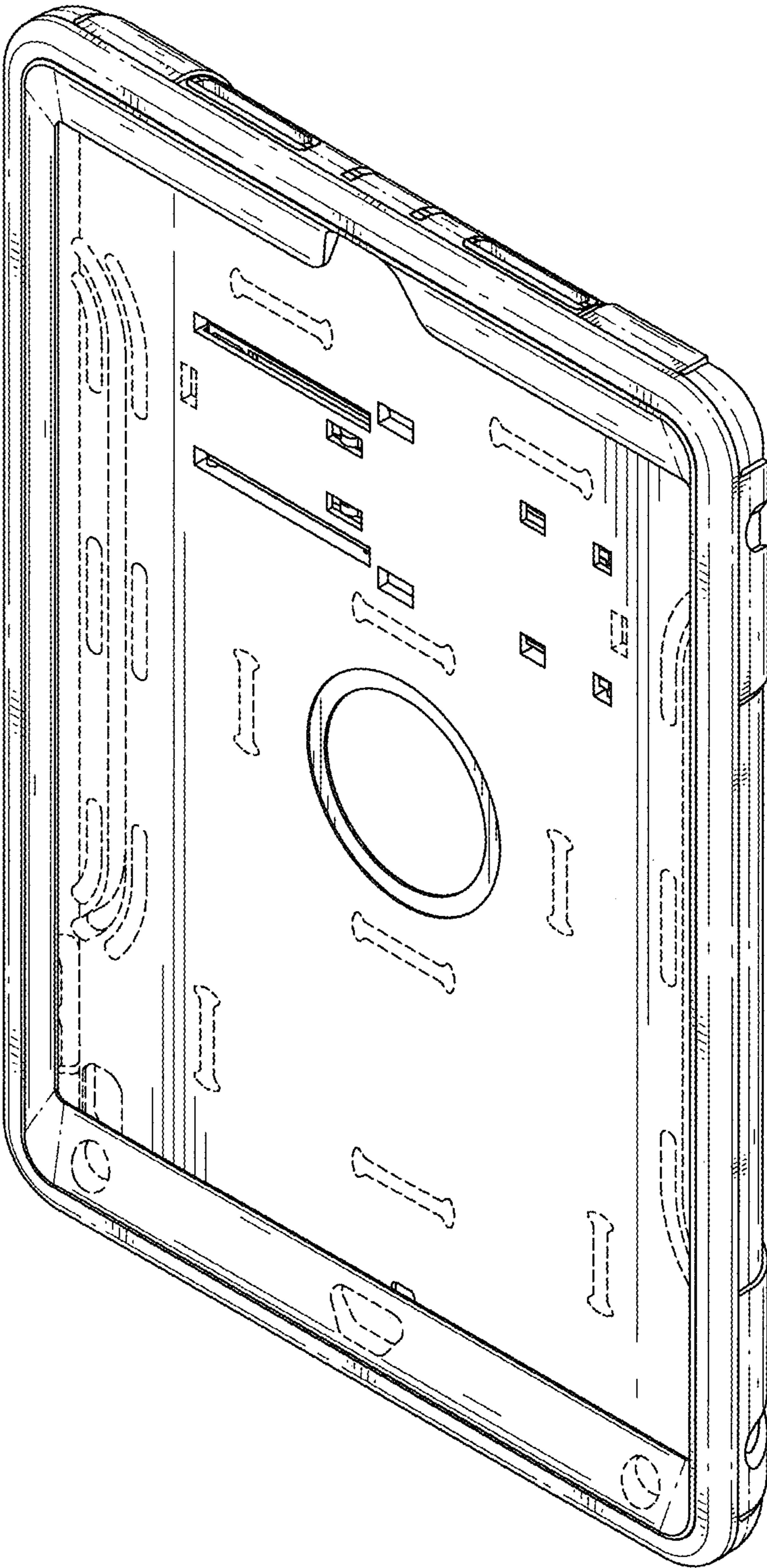


FIG. 1

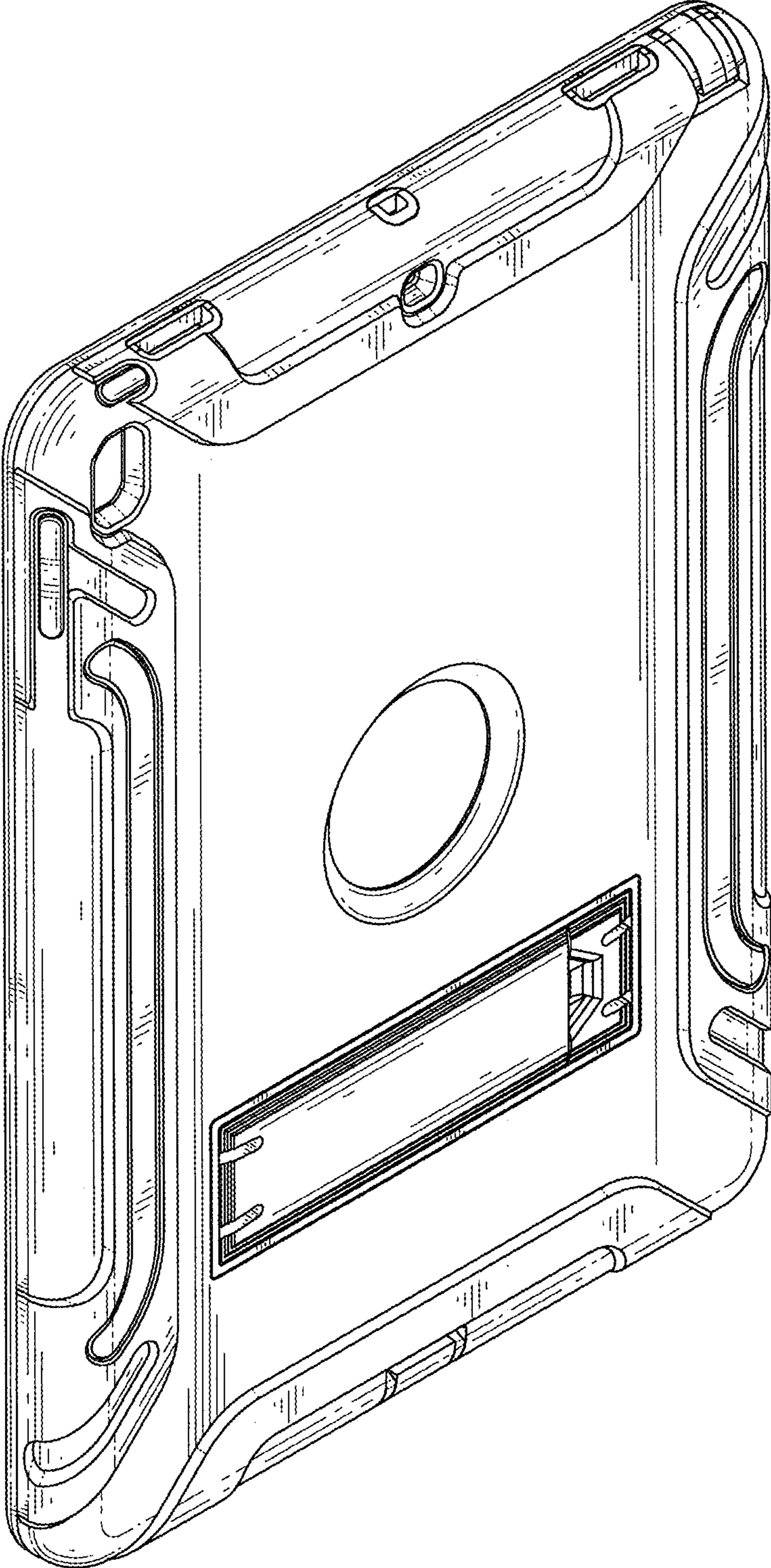


FIG. 2

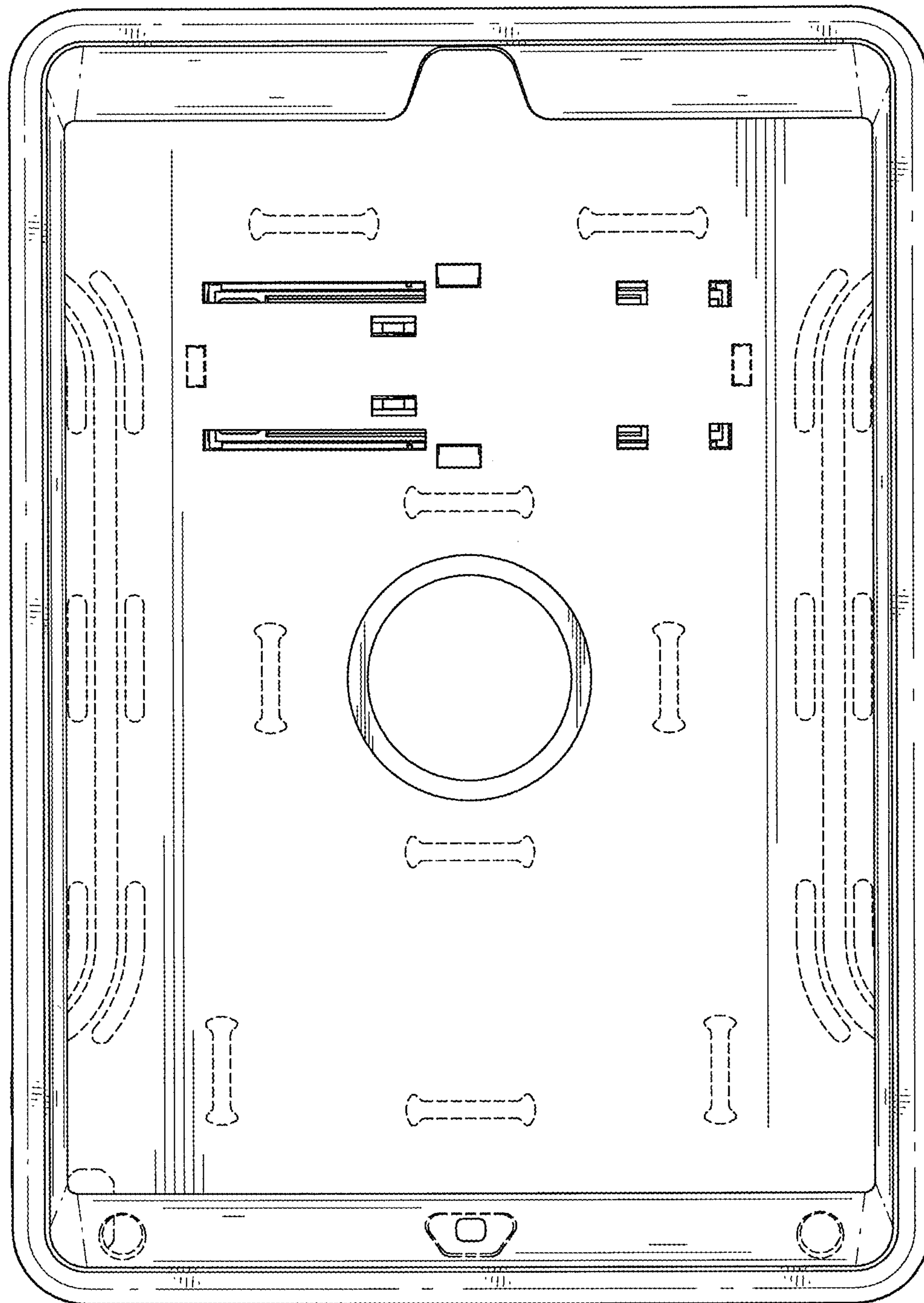


FIG. 3

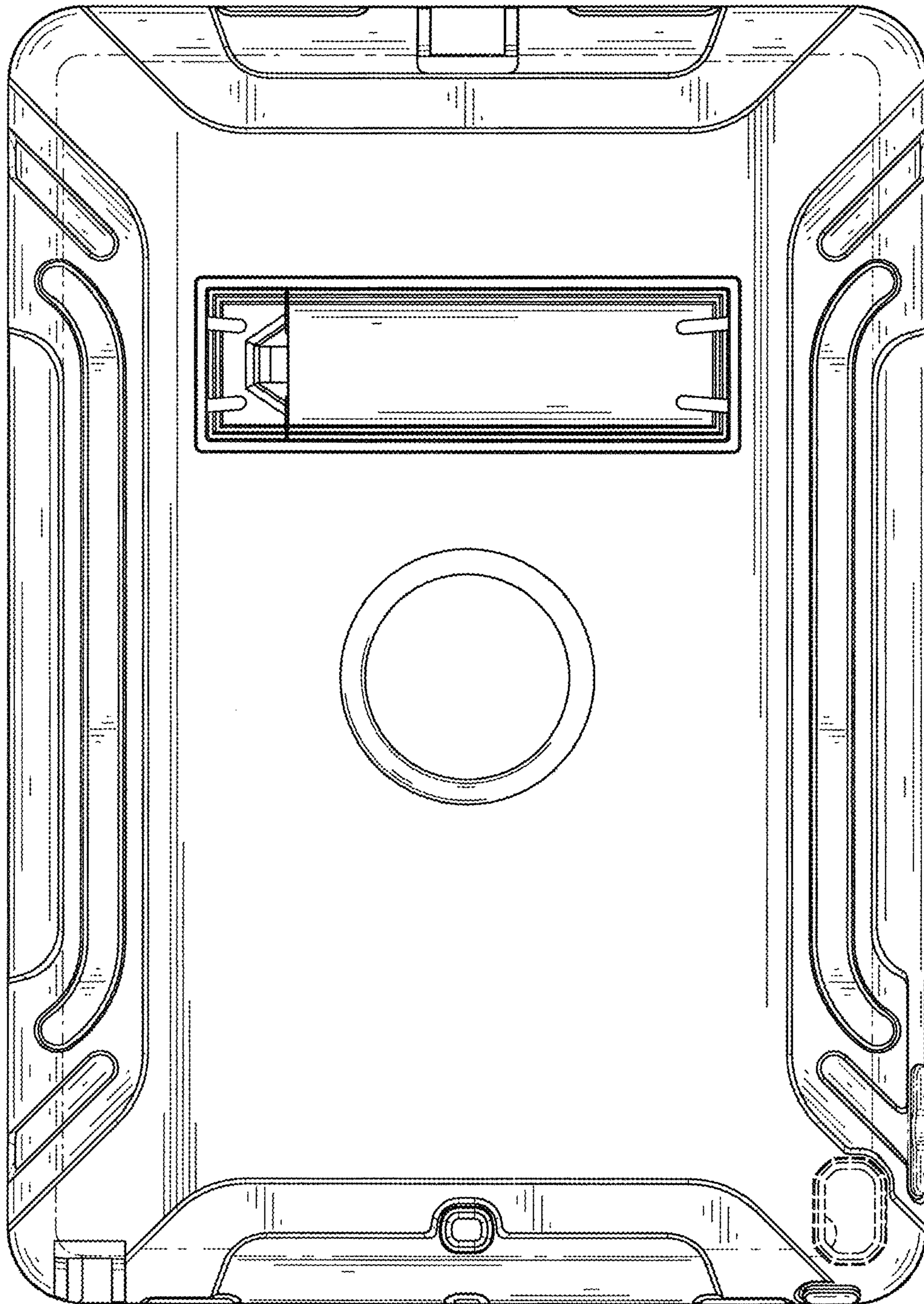


FIG. 4

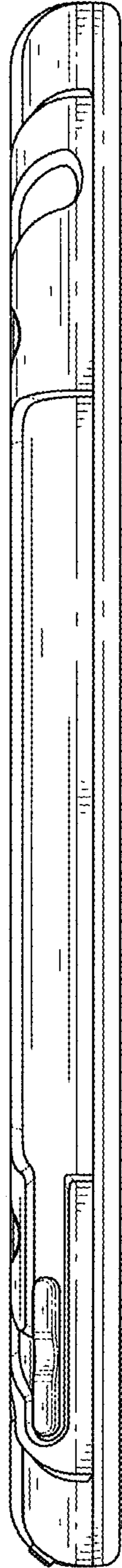


FIG. 5

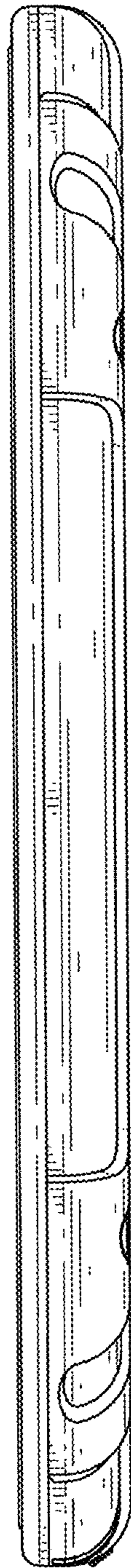


FIG. 6

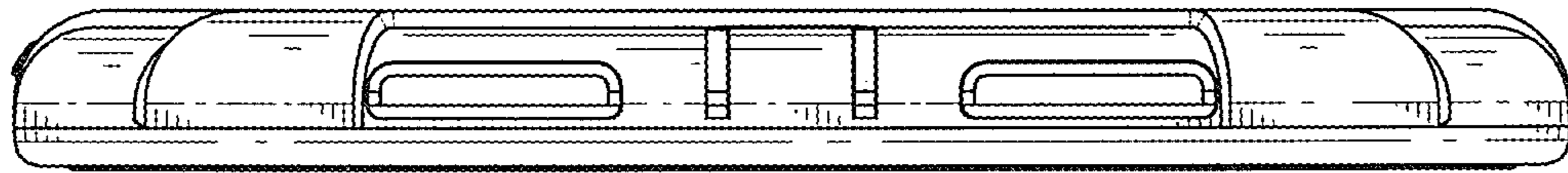


FIG. 7

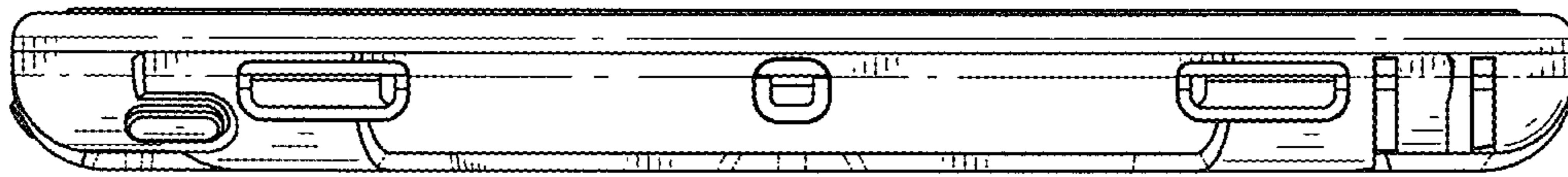


FIG. 8

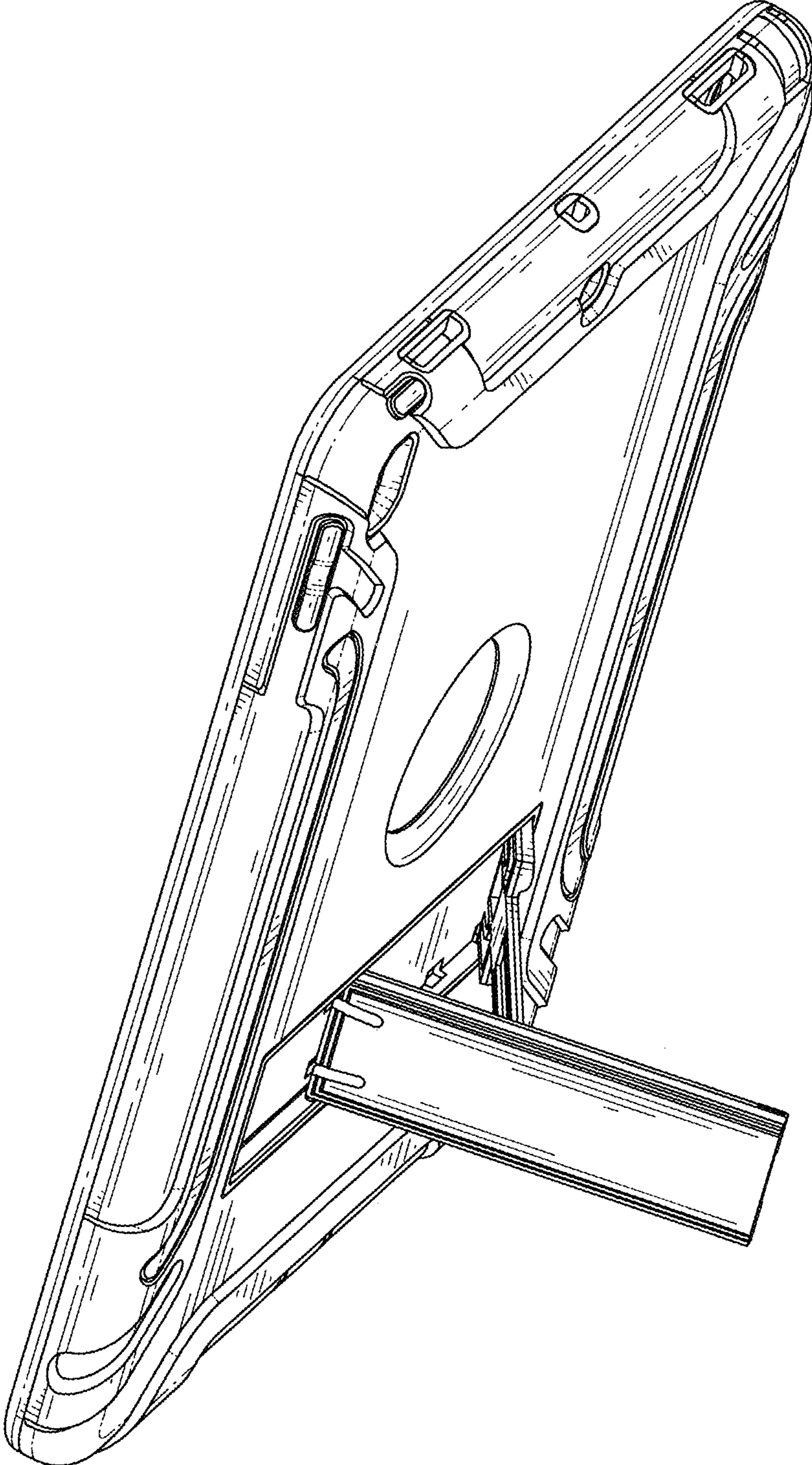


FIG. 9