



US00D831029S

(12) **United States Design Patent**
Gu

(10) **Patent No.:** **US D831,029 S**
(45) **Date of Patent:** **** Oct. 16, 2018**

(54) **VIRTUAL REALITY DEVICE**
(71) Applicant: **Jinxin Gu**, Shenzhen (CN)
(72) Inventor: **Jinxin Gu**, Shenzhen (CN)
(73) Assignee: **Shenzhenshi xinlianyoupin technology co., ltd**, Shenzhen (CN)
(**) Term: **15 Years**

(21) Appl. No.: **29/629,905**
(22) Filed: **Dec. 18, 2017**
(51) **LOC (11) Cl.** **14-02**
(52) **U.S. Cl.**
USPC **D14/372**
(58) **Field of Classification Search**
USPC D14/372, 496, 432, 371, 125, 126, 129,
D14/299; D16/300-342; 351/158, 153,
351/144; 345/7-9, 905; 455/344;
348/115, 53, 121, 739
CPC G02B 27/017; G02B 27/0158; G02B
27/0161; G02B 27/0181; G02B 27/0185;
G02B 27/0189
See application file for complete search history.

(56) **References Cited**

U.S. PATENT DOCUMENTS

D759,654 S * 6/2016 Sullivan D14/372
D764,466 S * 8/2016 Kim D14/372

D781,290 S * 3/2017 Kim D14/372
D792,399 S * 7/2017 Thomas D14/372
D797,181 S * 9/2017 Seo D16/312
D799,482 S * 10/2017 Thomas D14/372
D801,969 S * 11/2017 Yee D14/372
D805,515 S * 12/2017 Bowes D14/372
D806,073 S * 12/2017 Li D14/372
9,857,839 B1 * 1/2018 Bristol G06F 1/163
D815,637 S * 4/2018 Li D14/372
D822,659 S * 7/2018 Spio D14/372
D822,661 S * 7/2018 Robertson D14/372

* cited by examiner

Primary Examiner — Austin Murphy

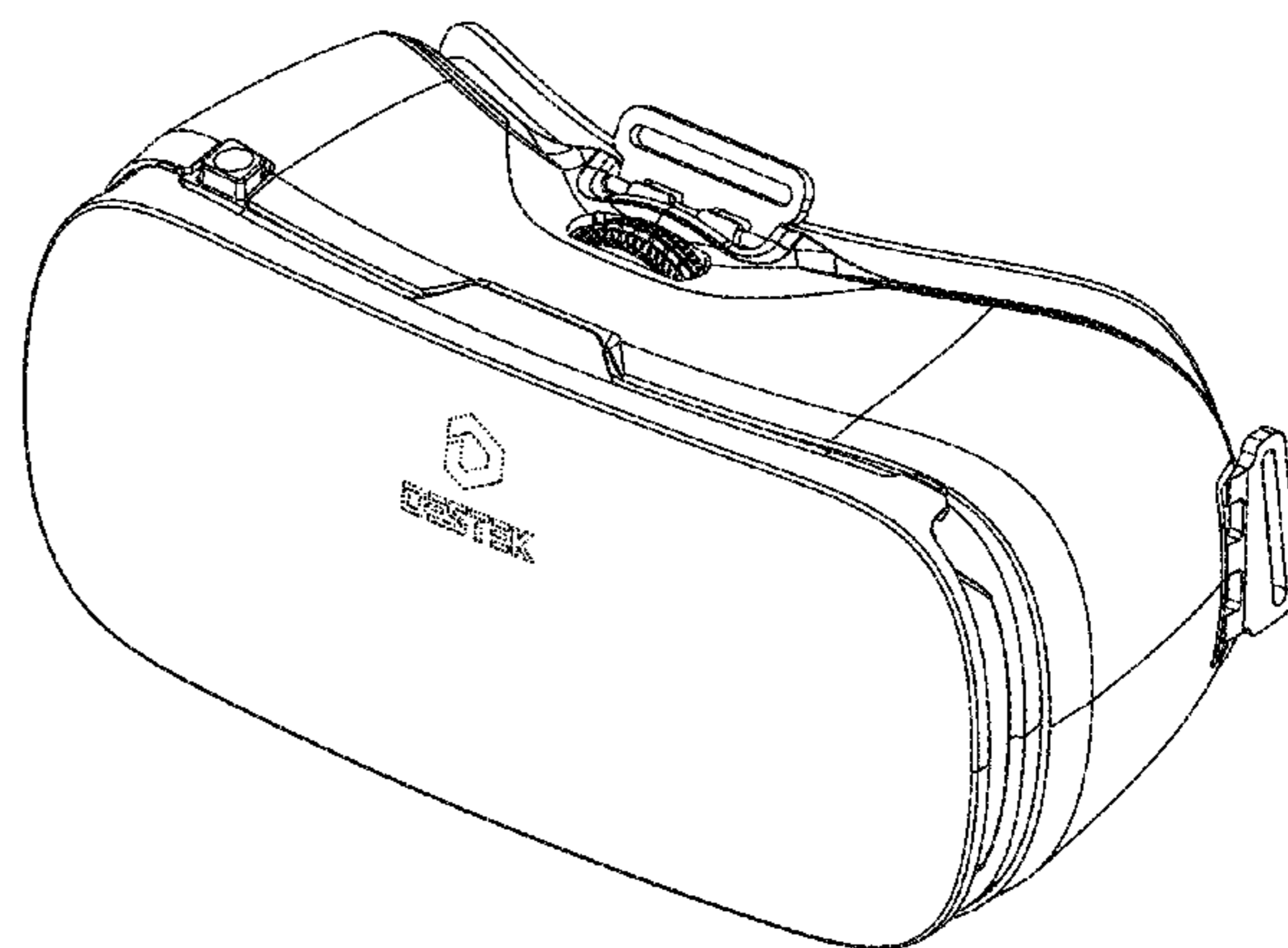
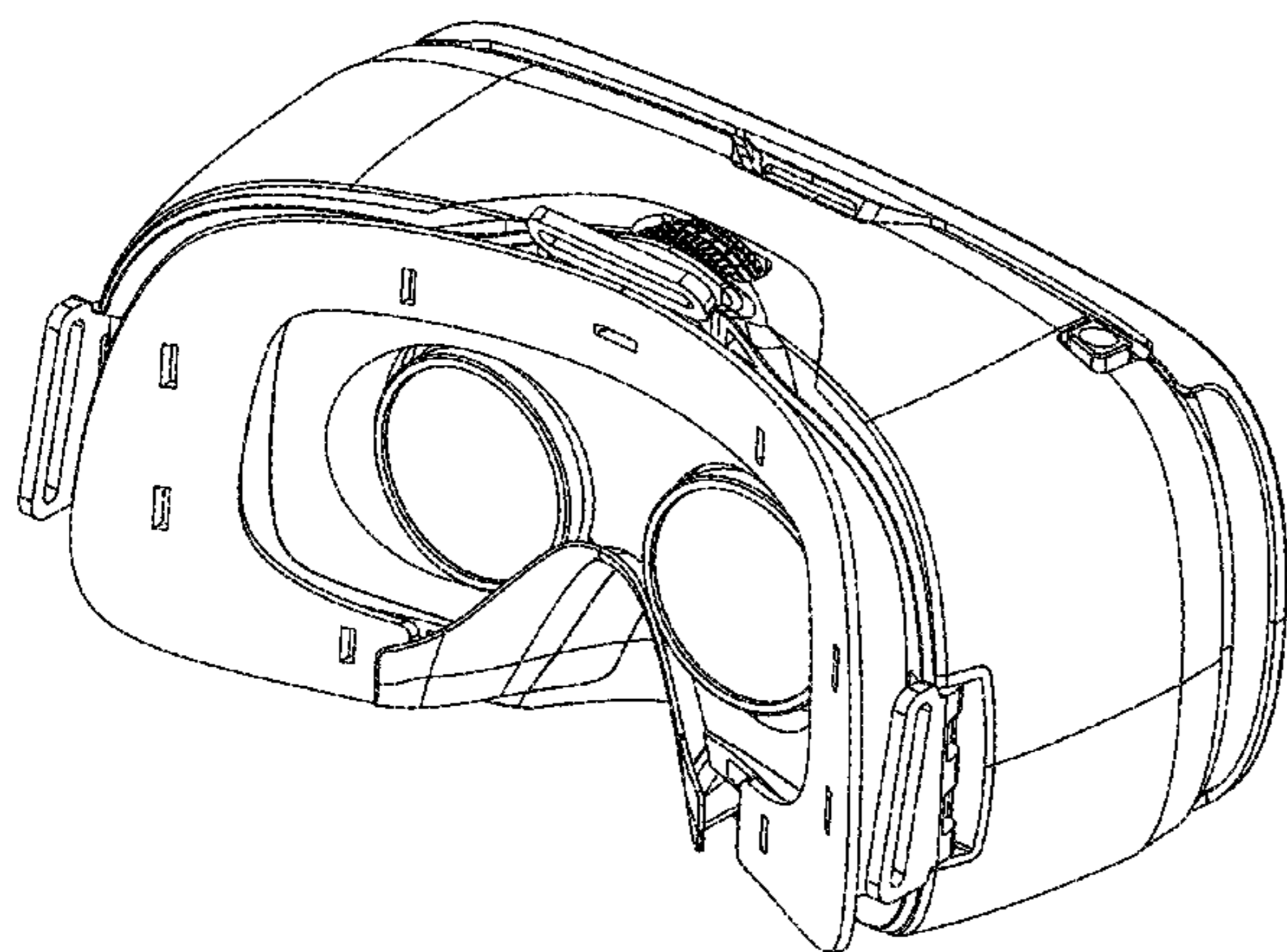
(57) **CLAIM**

The ornamental design for a virtual reality device, as shown and described.

DESCRIPTION

FIG. 1 is a front elevational view of a virtual reality device showing my new design;
FIG. 2 is a rear elevational view thereof;
FIG. 3 is a left side elevational view thereof;
FIG. 4 is a right side elevational view thereof;
FIG. 5 is a top plan view thereof;
FIG. 6 is a bottom plan view thereof;
FIG. 7 is a front perspective view thereof; and,
FIG. 8 is a rear perspective view thereof.
The broken lines depict environment that forms no part of the claimed design.

1 Claim, 4 Drawing Sheets



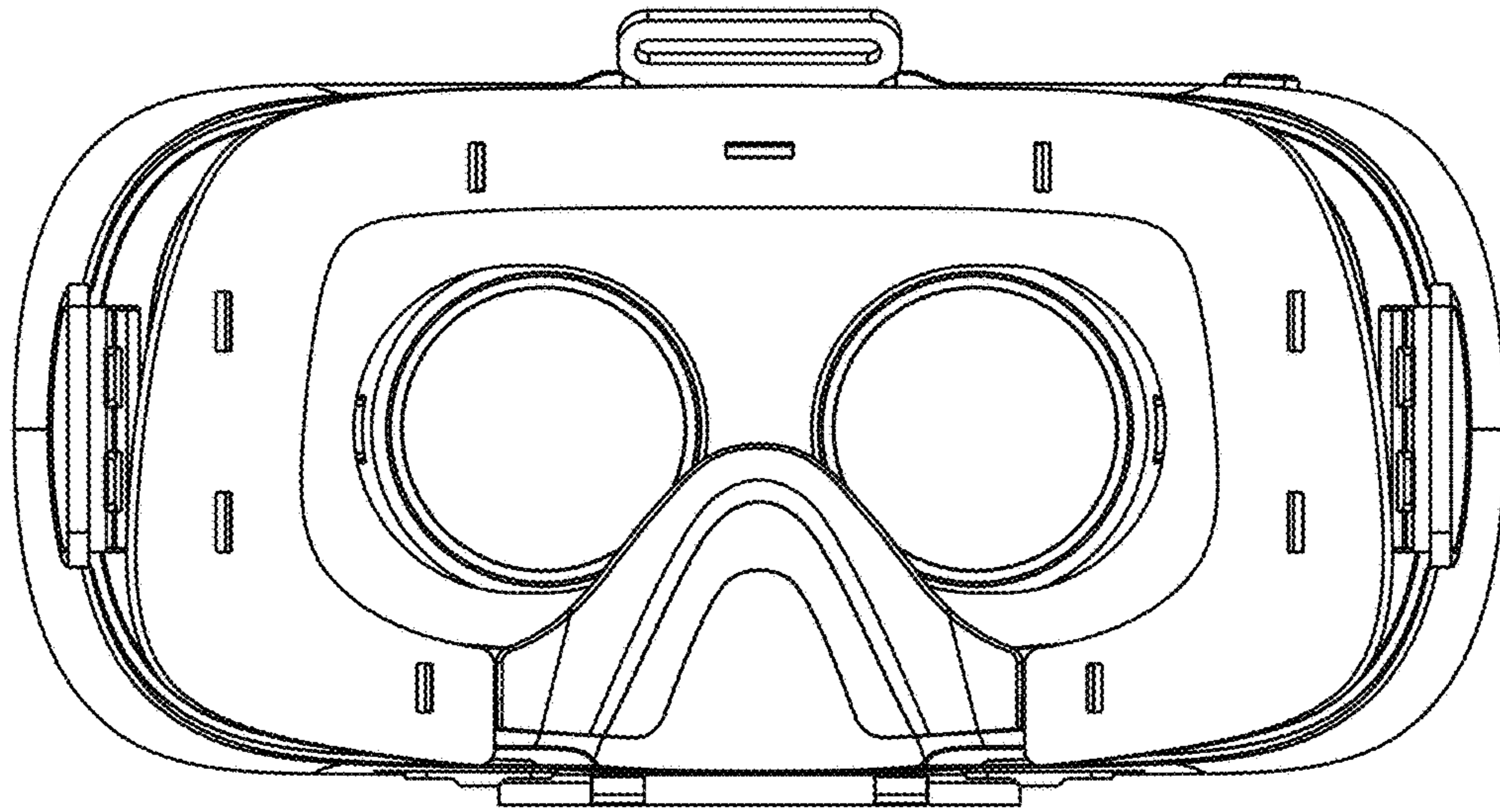


FIG. 1

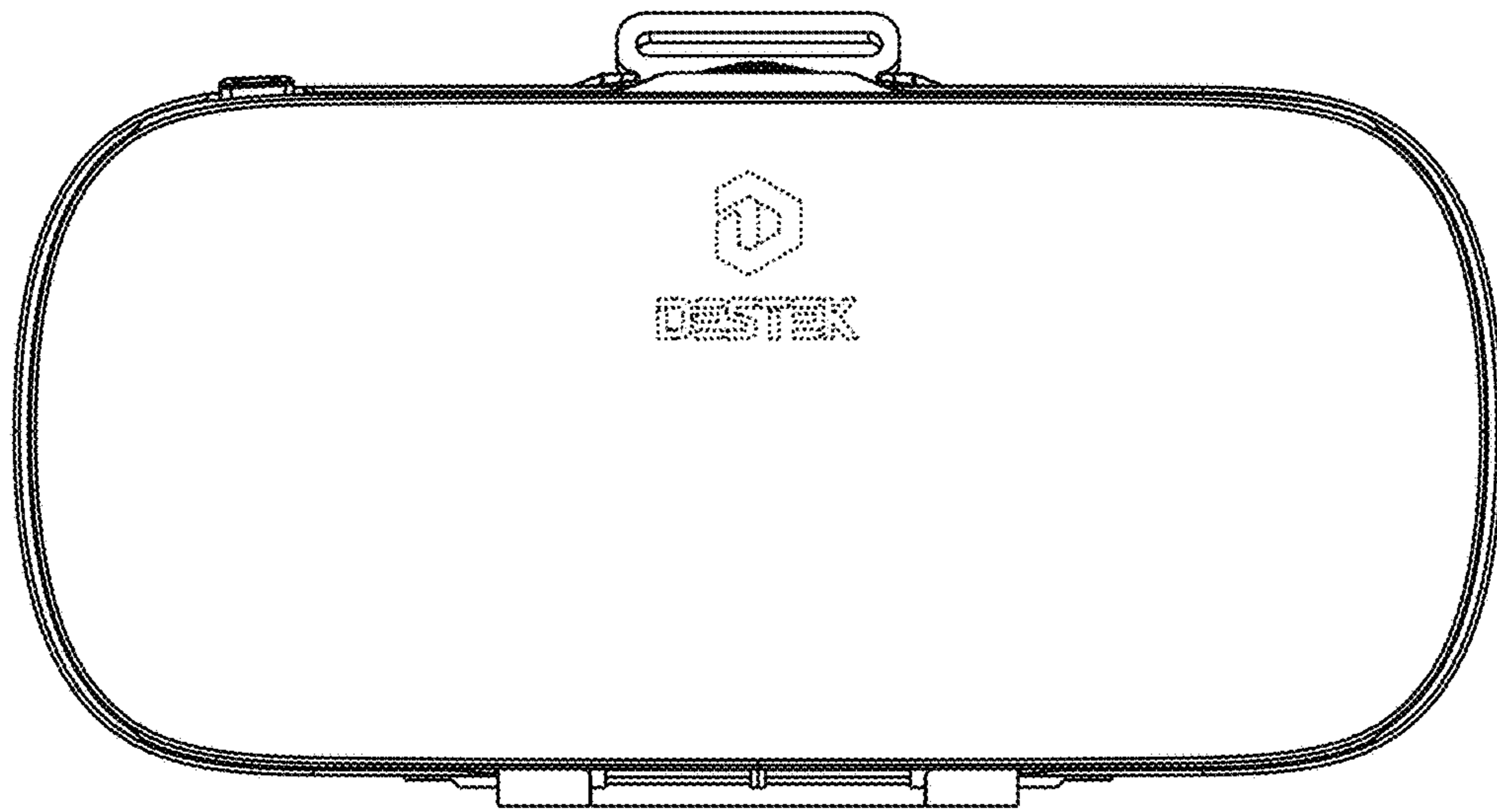


FIG. 2

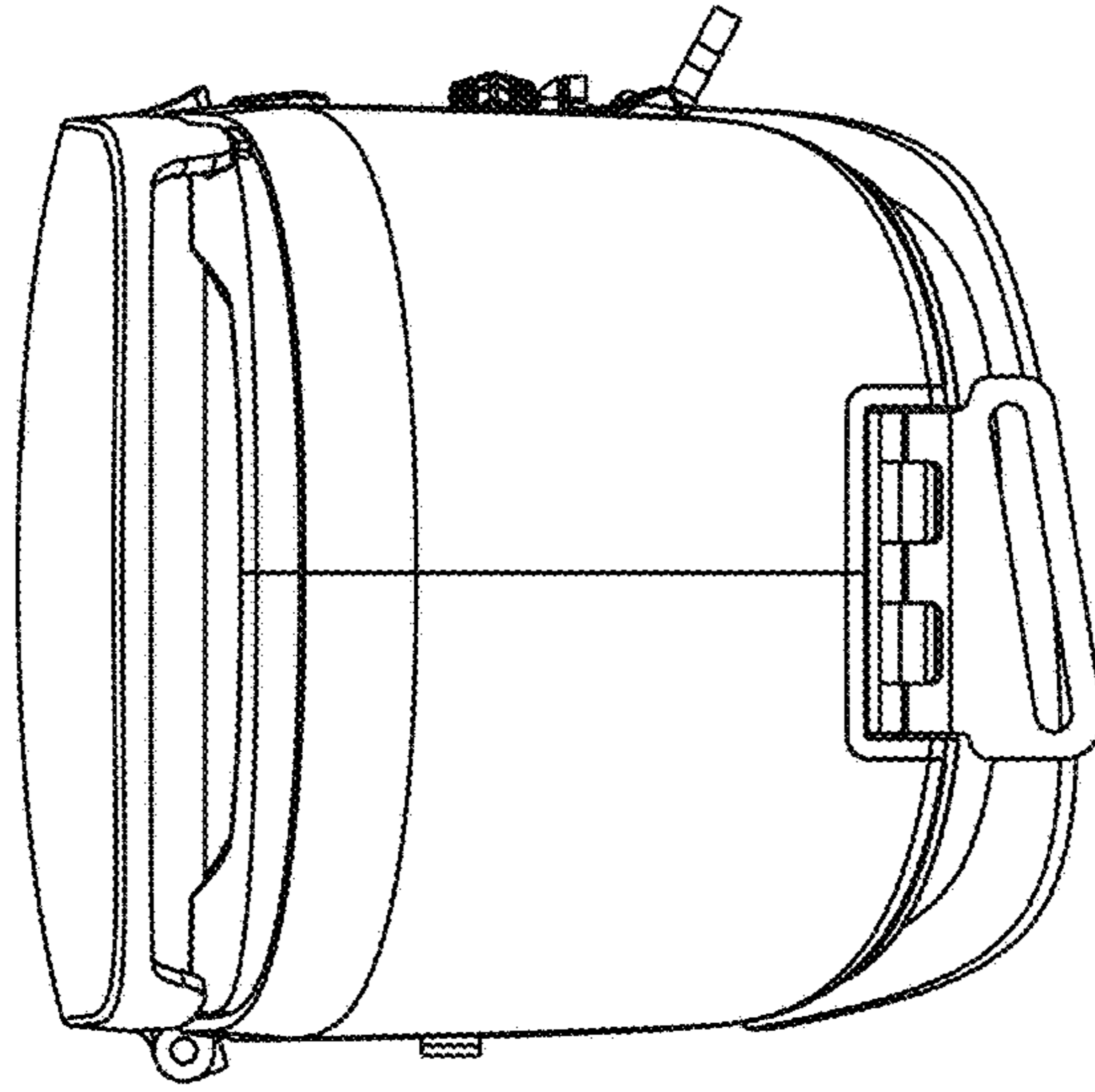


FIG.3

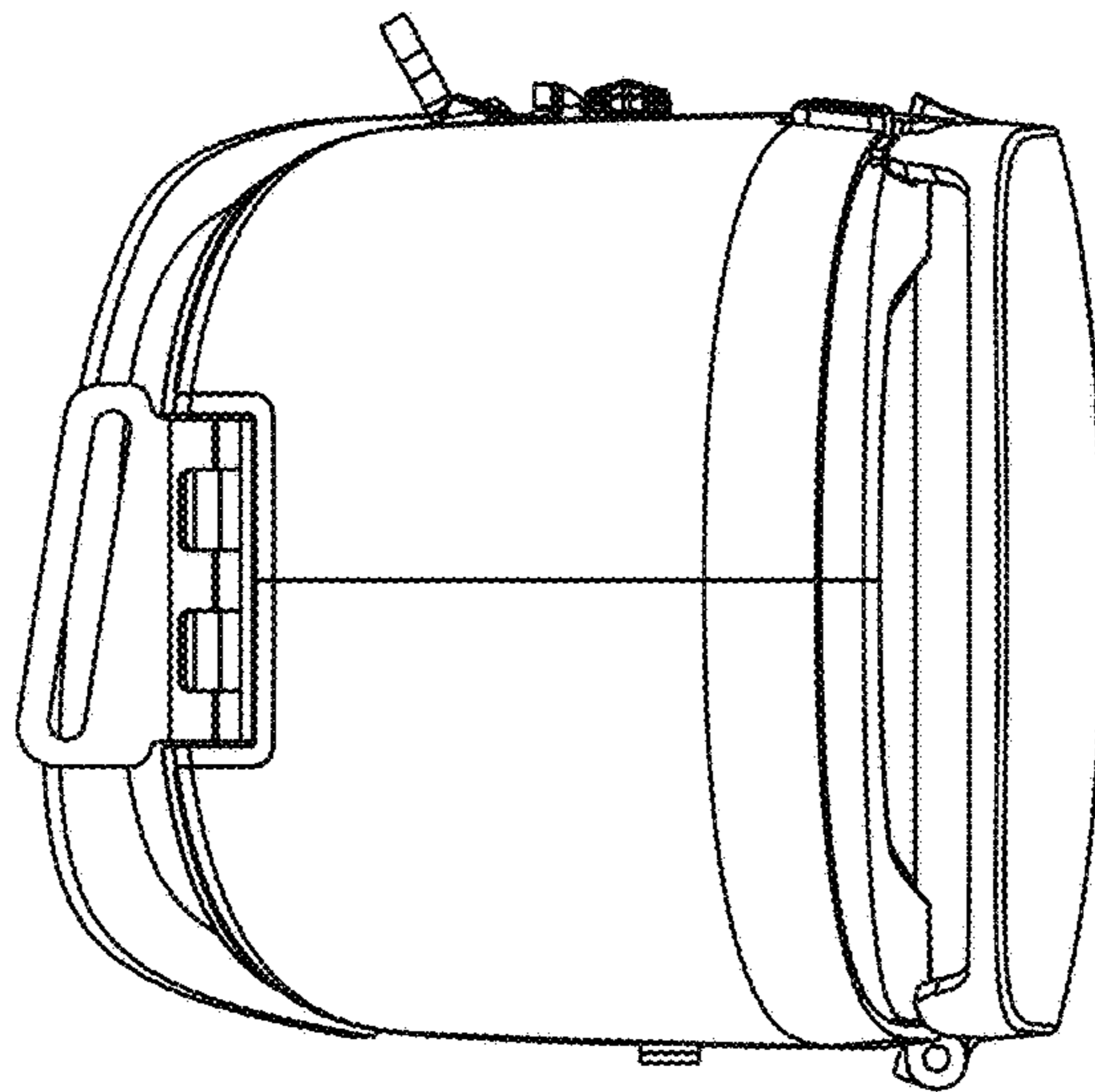


FIG.4

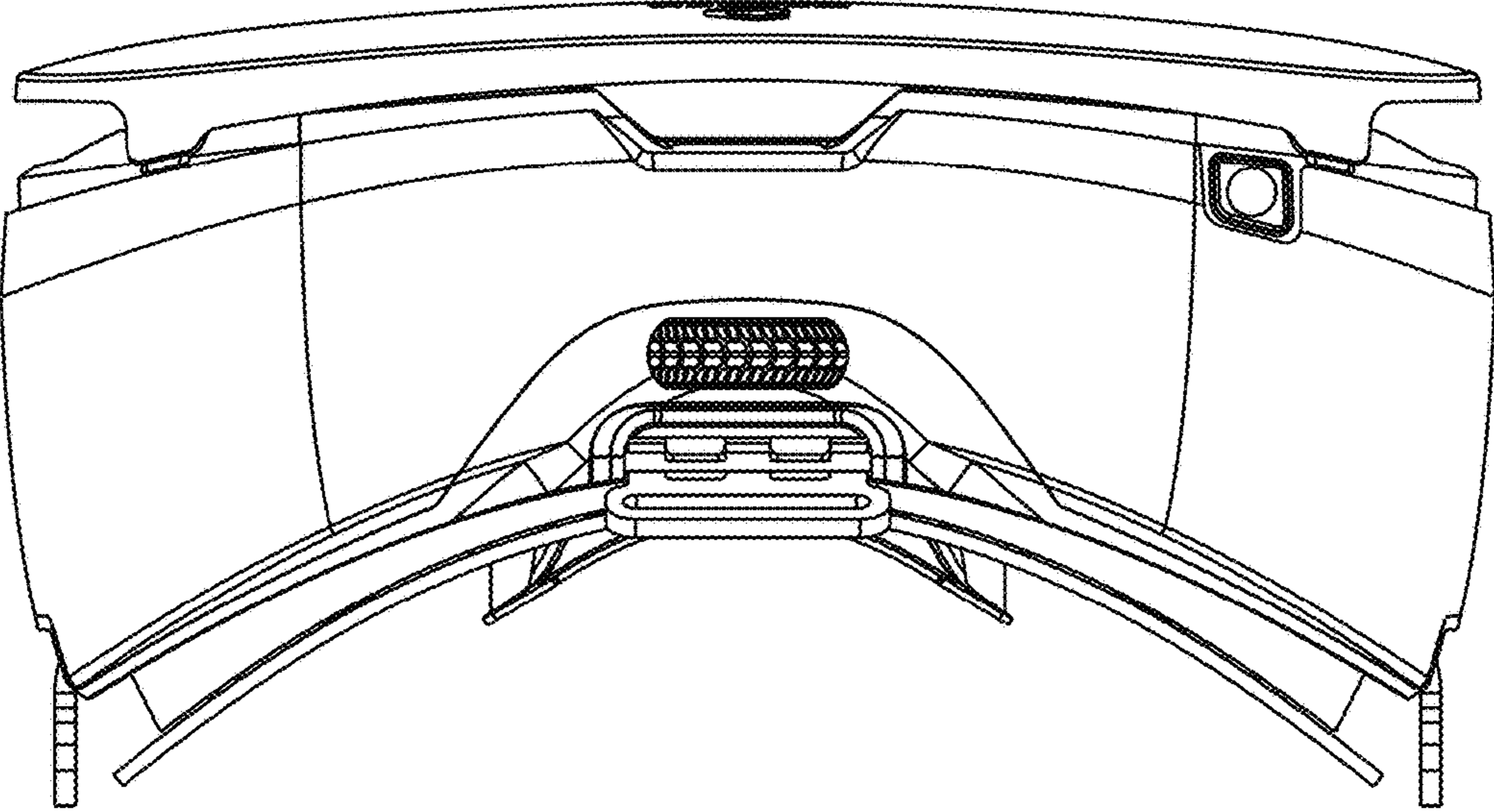


FIG. 5

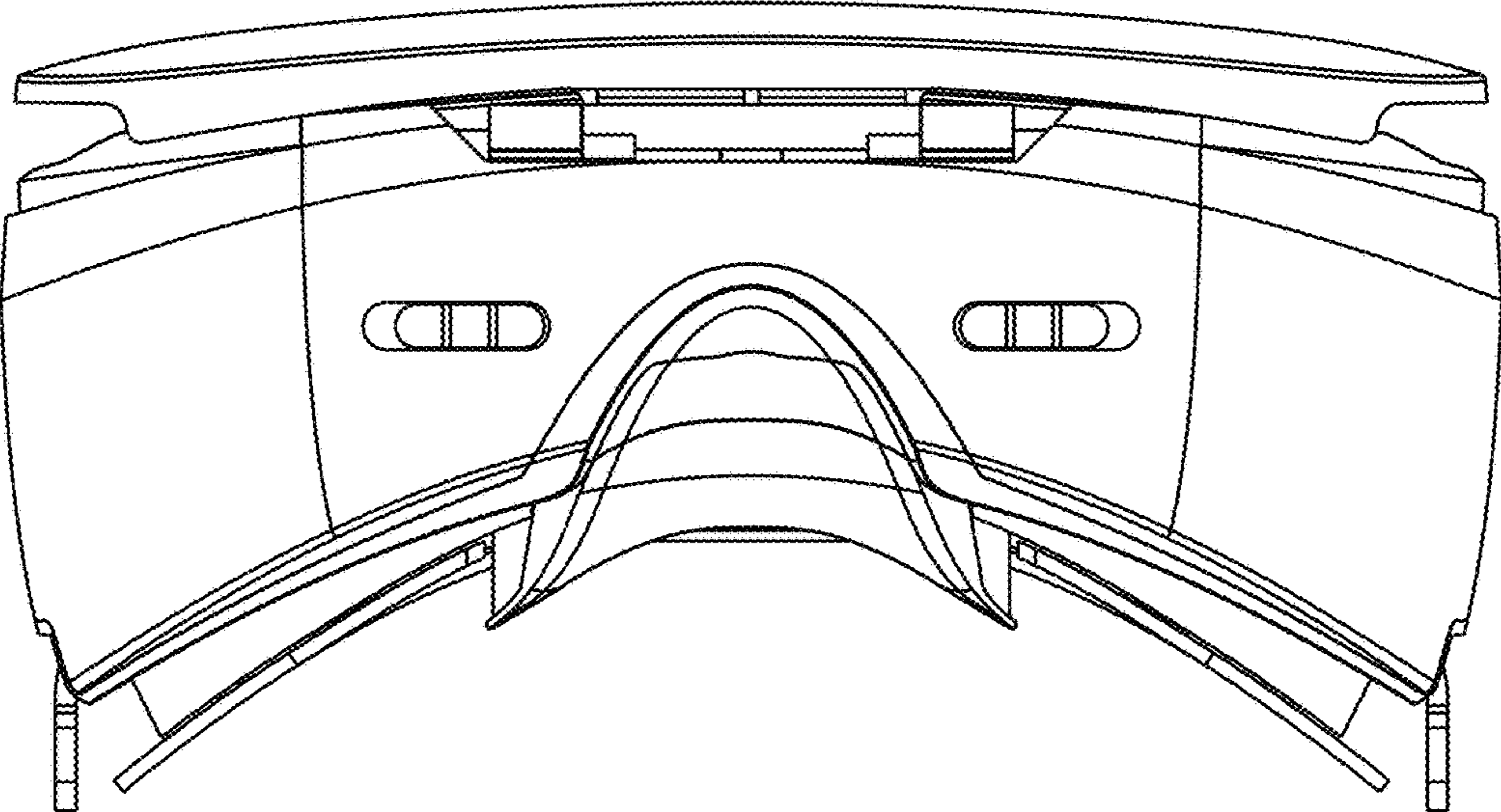


FIG. 6

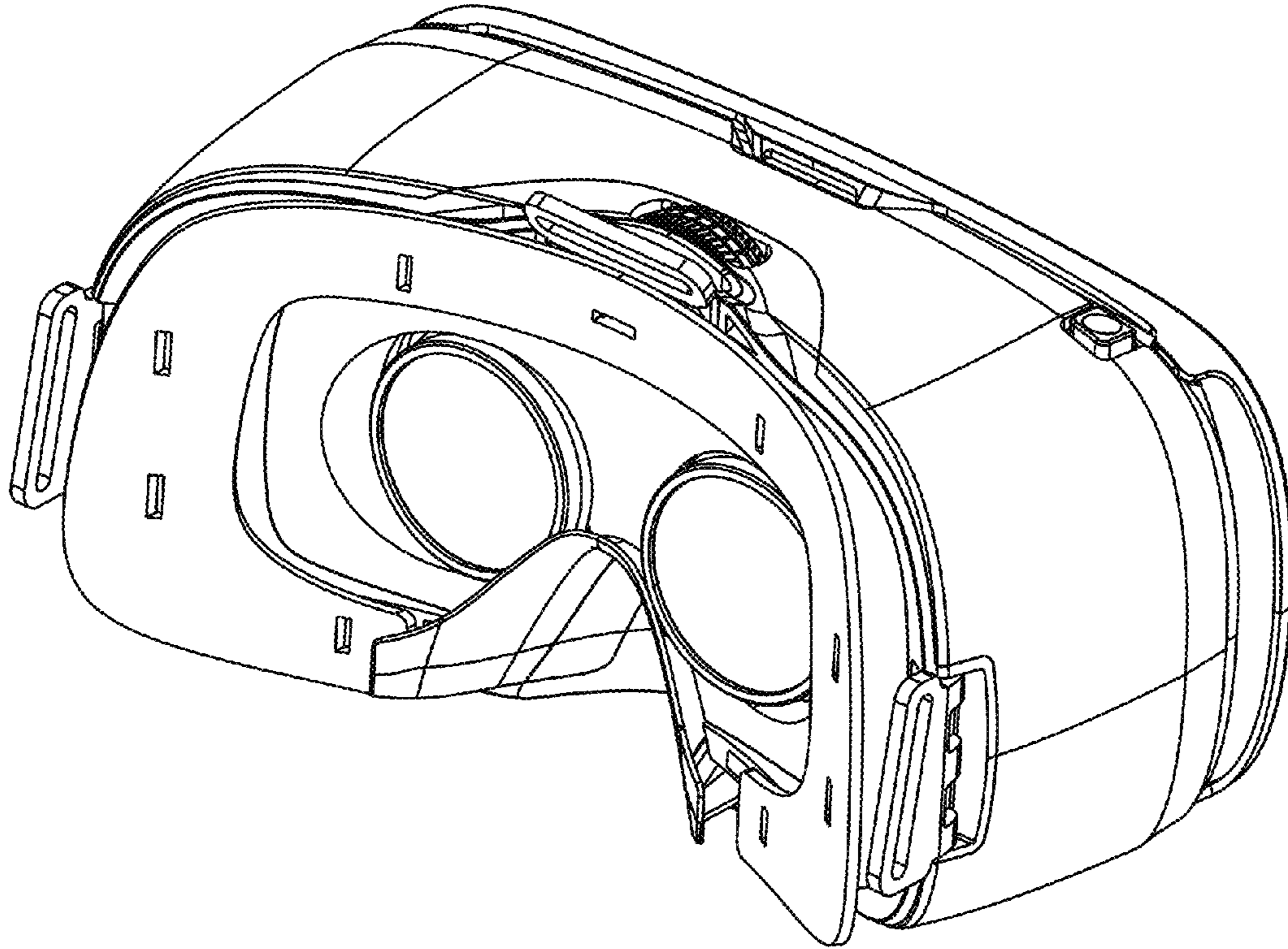


FIG. 7

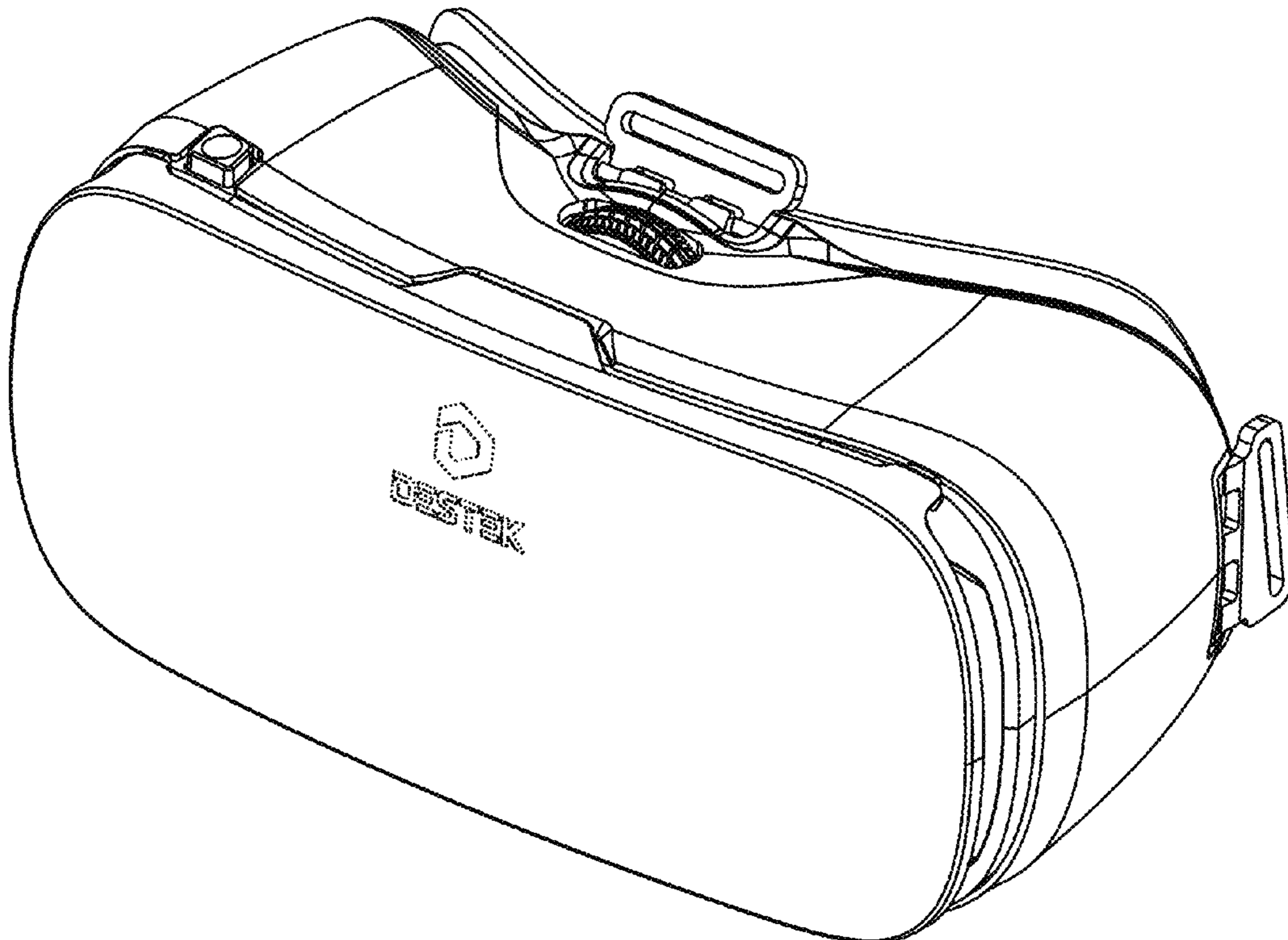


FIG. 8