



US00D831028S

(12) **United States Design Patent**
Miller et al.

(10) **Patent No.:** **US D831,028 S**

(45) **Date of Patent:** **** Oct. 16, 2018**

(54) **HEAD-MOUNTED DISPLAY**

(71) Applicant: **Oculus VR, LLC**, Menlo Park, CA
(US)

(72) Inventors: **Robin Michael Miller**, Redmond, WA
(US); **Julian Hammerstein**, Santa Ana,
CA (US); **James Aldrich**, Castro
Valley, CA (US); **Adam Hewko**,
Kirkland, WA (US); **Joseph P. Sullivan**,
Palo Alto, CA (US); **Oskar Linde**,
Belmont, CA (US)

(73) Assignee: **Oculus VR, LLC**, Menlo Park, CA
(US)

(**) Term: **15 Years**

(21) Appl. No.: **29/601,456**

(22) Filed: **Apr. 21, 2017**

(51) **LOC (11) Cl.** **14-02**

(52) **U.S. Cl.**
USPC **D14/372**

(58) **Field of Classification Search**
USPC D14/372, 496, 432, 371, 125, 126, 129,
D14/299; D16/300–342; 351/158, 153,
351/144; 345/7–9, 905; 455/344;
348/115, 53, 121, 739
CPC G02B 27/017; G02B 27/0158; G02B
27/0161; G02B 27/0181; G02B 27/0185;
G02B 27/0189
See application file for complete search history.

(56) **References Cited**

U.S. PATENT DOCUMENTS

D738,374 S * 9/2015 Luckey D14/372
D761,258 S 7/2016 Zellweger et al.
9,599,822 B2 * 3/2017 Yoon G02B 3/08
D791,127 S * 7/2017 Sullivan D14/372

D791,129 S * 7/2017 Sullivan D14/372
D792,399 S * 7/2017 Thomas D14/372
9,706,286 B1 * 7/2017 Patel H04R 1/105
D800,117 S * 10/2017 Yee D14/372
9,776,084 B2 * 10/2017 Allin A63F 13/26
D801,970 S * 11/2017 Sullivan D14/372
9,810,911 B2 * 11/2017 Miller F16M 13/00
9,832,561 B2 * 11/2017 Morris H04R 1/1066
9,837,043 B1 * 12/2017 Patel G09G 5/006
9,846,483 B2 * 12/2017 Petrov G06F 3/015
D807,354 S * 1/2018 Yee D14/372
9,857,596 B2 * 1/2018 Drinkwater G02B 27/0176
D810,743 S * 2/2018 Yee D14/372
9,927,618 B2 * 3/2018 Allin G02B 27/0176

OTHER PUBLICATIONS

Dime, Nov. 2016, p. 9, No. 10, vol. 31, [corresponding to JPO
Publicly Known Design No. HA28008439], with partial machine
translation.

(Continued)

Primary Examiner — Austin Murphy

(74) *Attorney, Agent, or Firm* — Fenwick & West LLP

(57) **CLAIM**

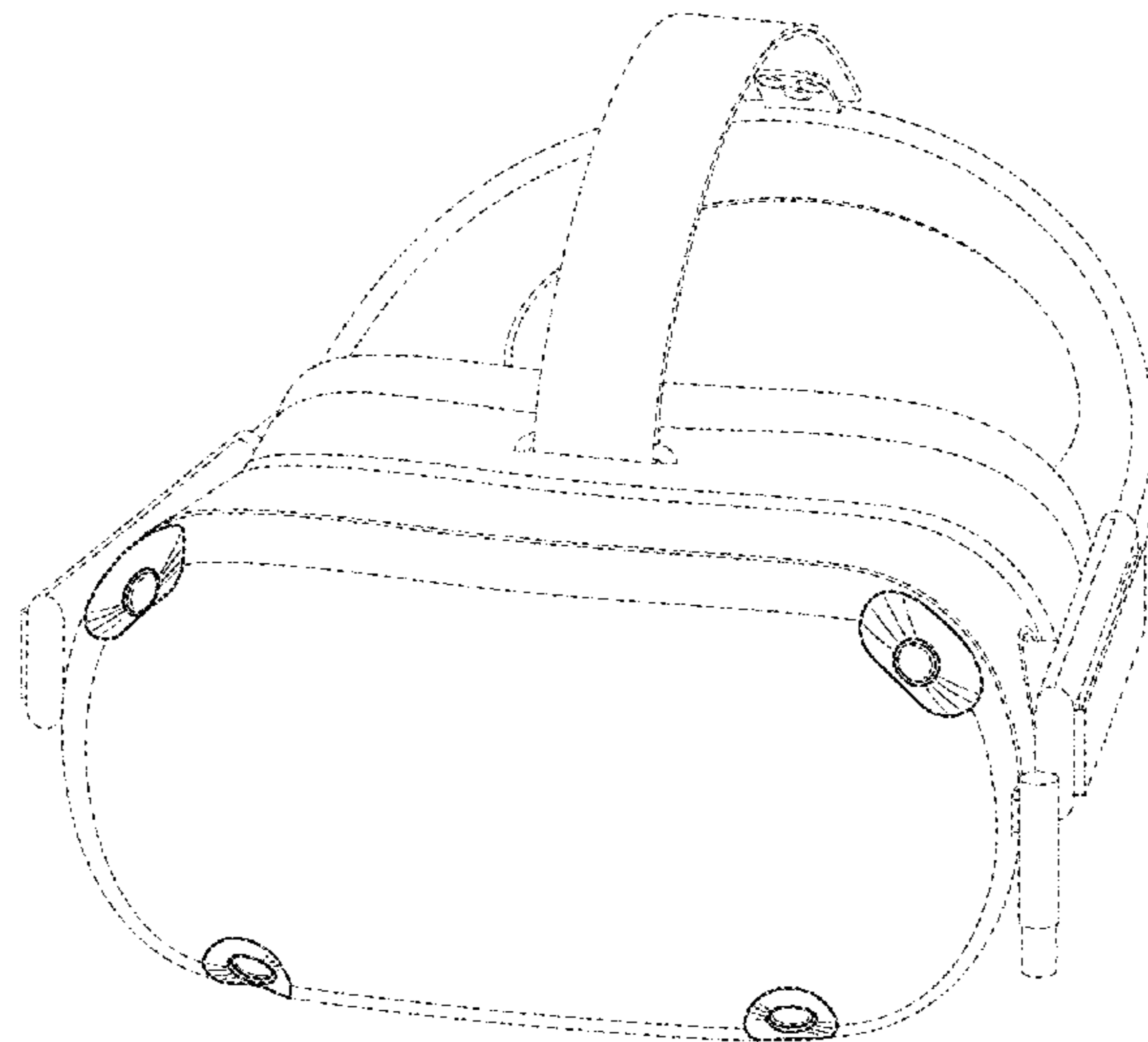
The ornamental design for a head-mounted display, as
shown and described.

DESCRIPTION

FIG. 1 is a perspective view of a first embodiment of a
head-mounted display;
FIG. 2 is a front view thereof;
FIG. 3 is a rear view thereof;
FIG. 4 is a left side view thereof;
FIG. 5 is a right side view thereof;
FIG. 6 is a top view thereof; and,
FIG. 7 is a bottom view thereof.

The broken lines in the figures form no part of the claimed
design.

1 Claim, 7 Drawing Sheets



(56)

References Cited

OTHER PUBLICATIONS

Popular Science, Mar. 2010, p. 17, No. 3, vol. 276, [corresponding to JPO Publicly Known Design No. HB22002201].

Korean Office Action, Korean Application No. 30-2017-0048967, dated Jun. 4, 2018, 3 pages.

* cited by examiner

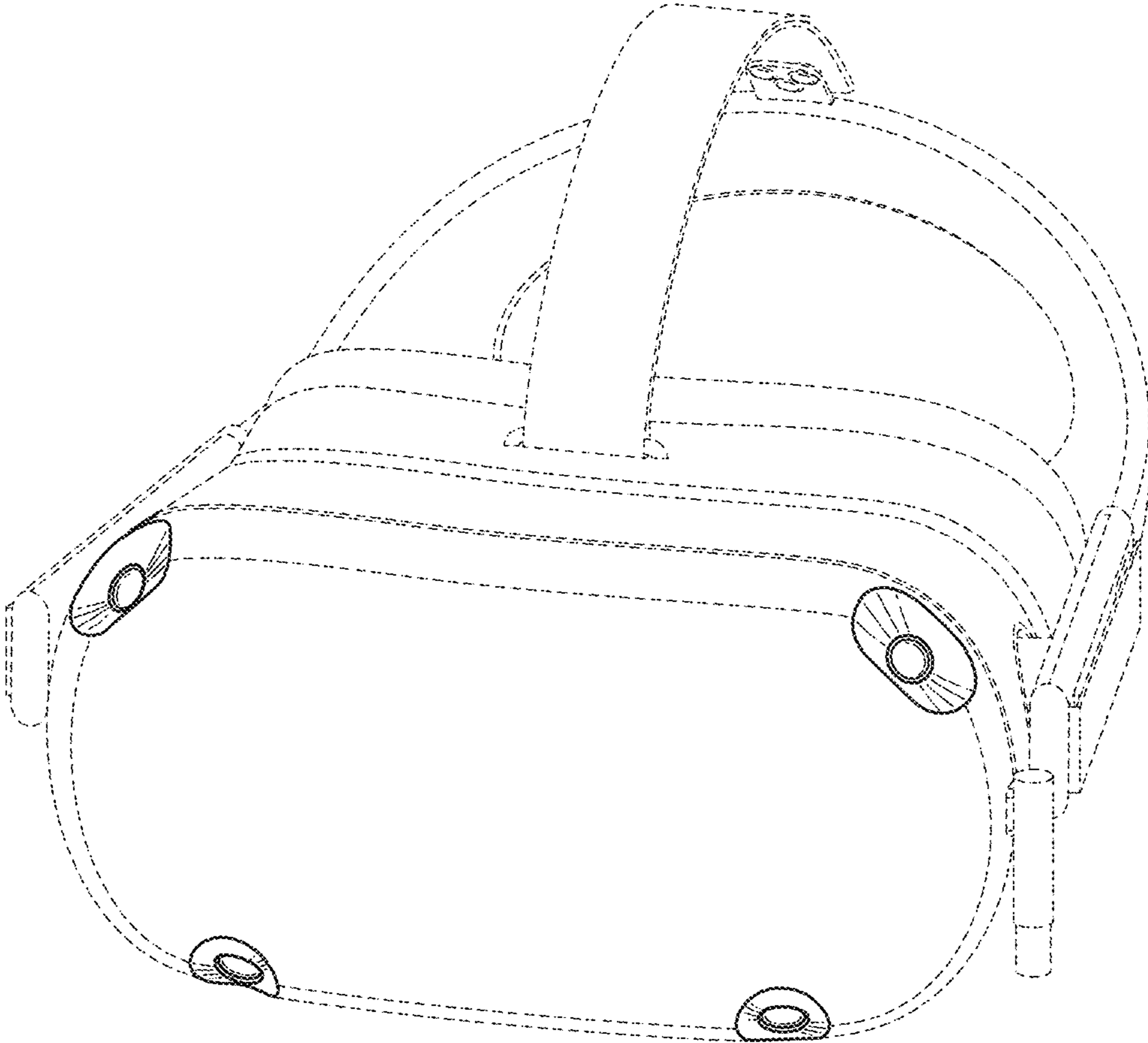


FIG. 1

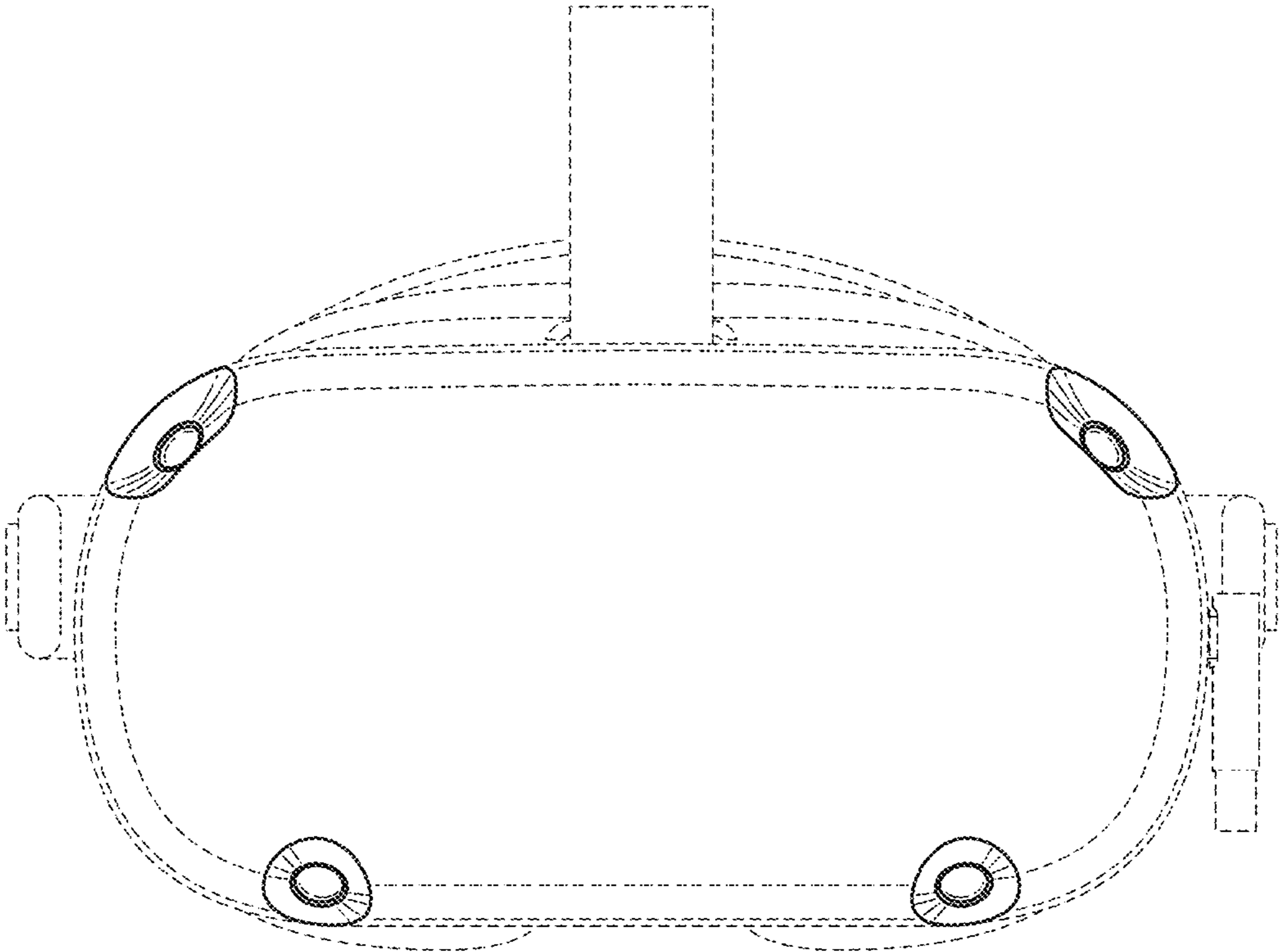


FIG. 2

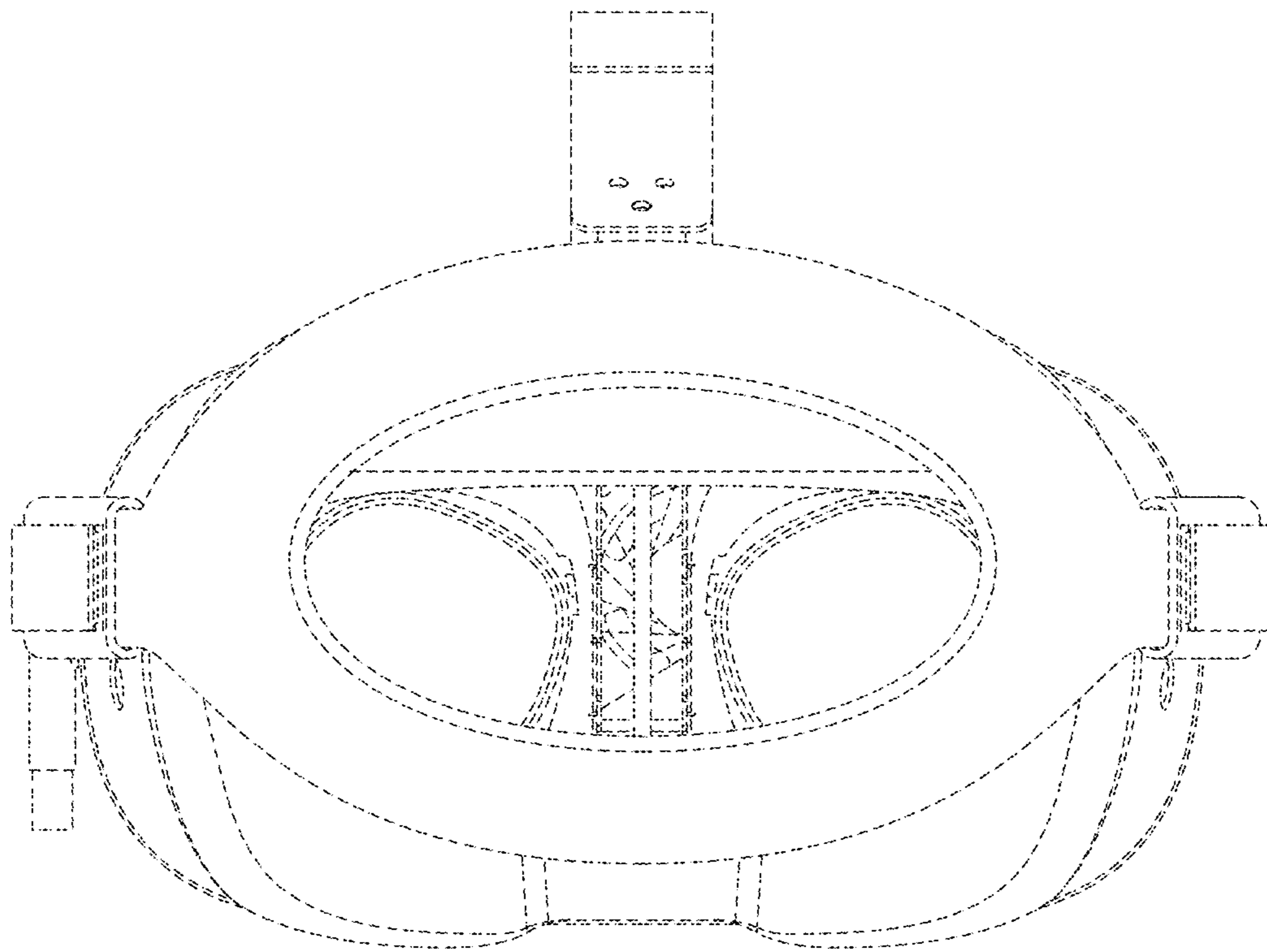


FIG. 3

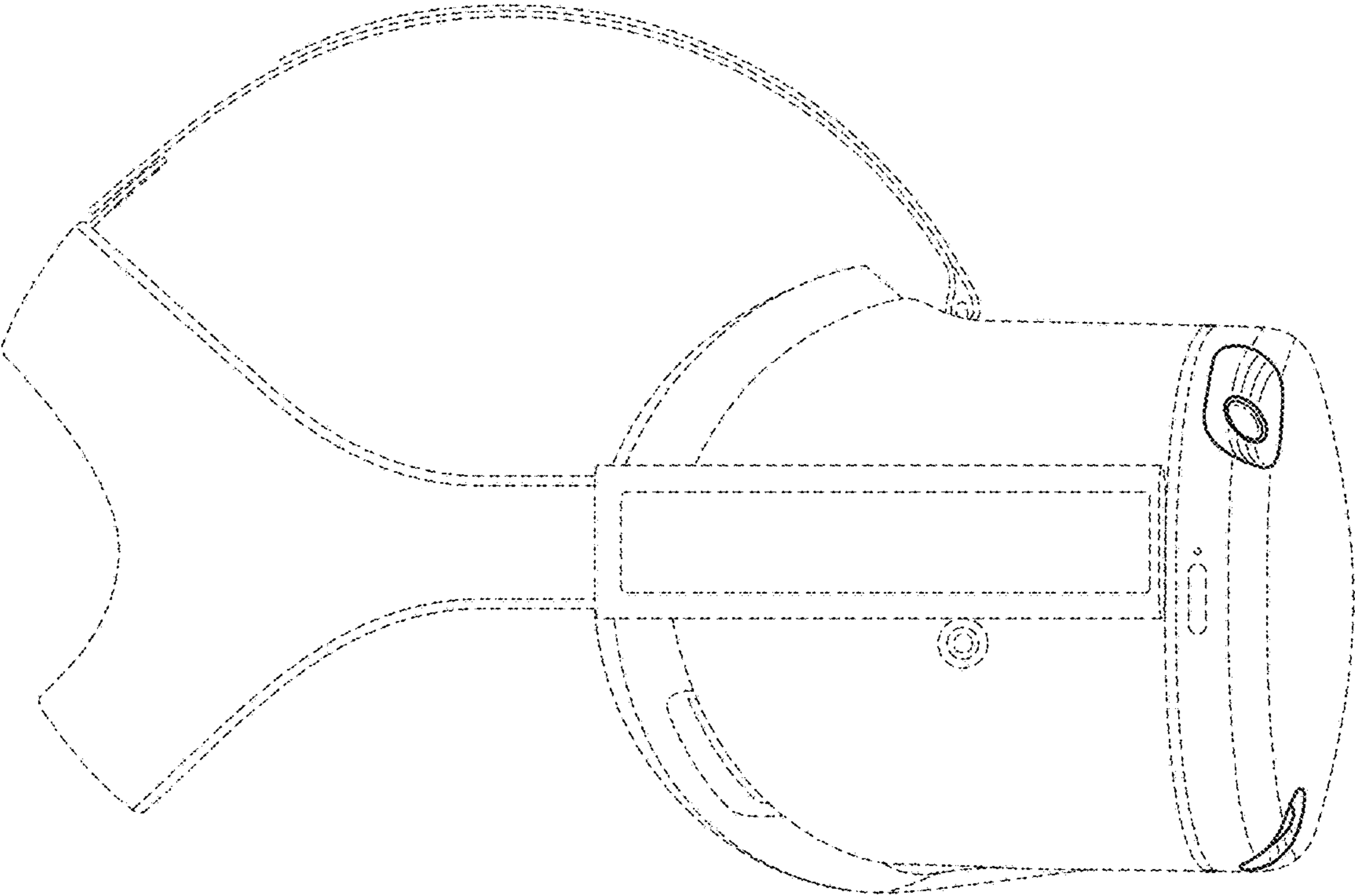


FIG. 4

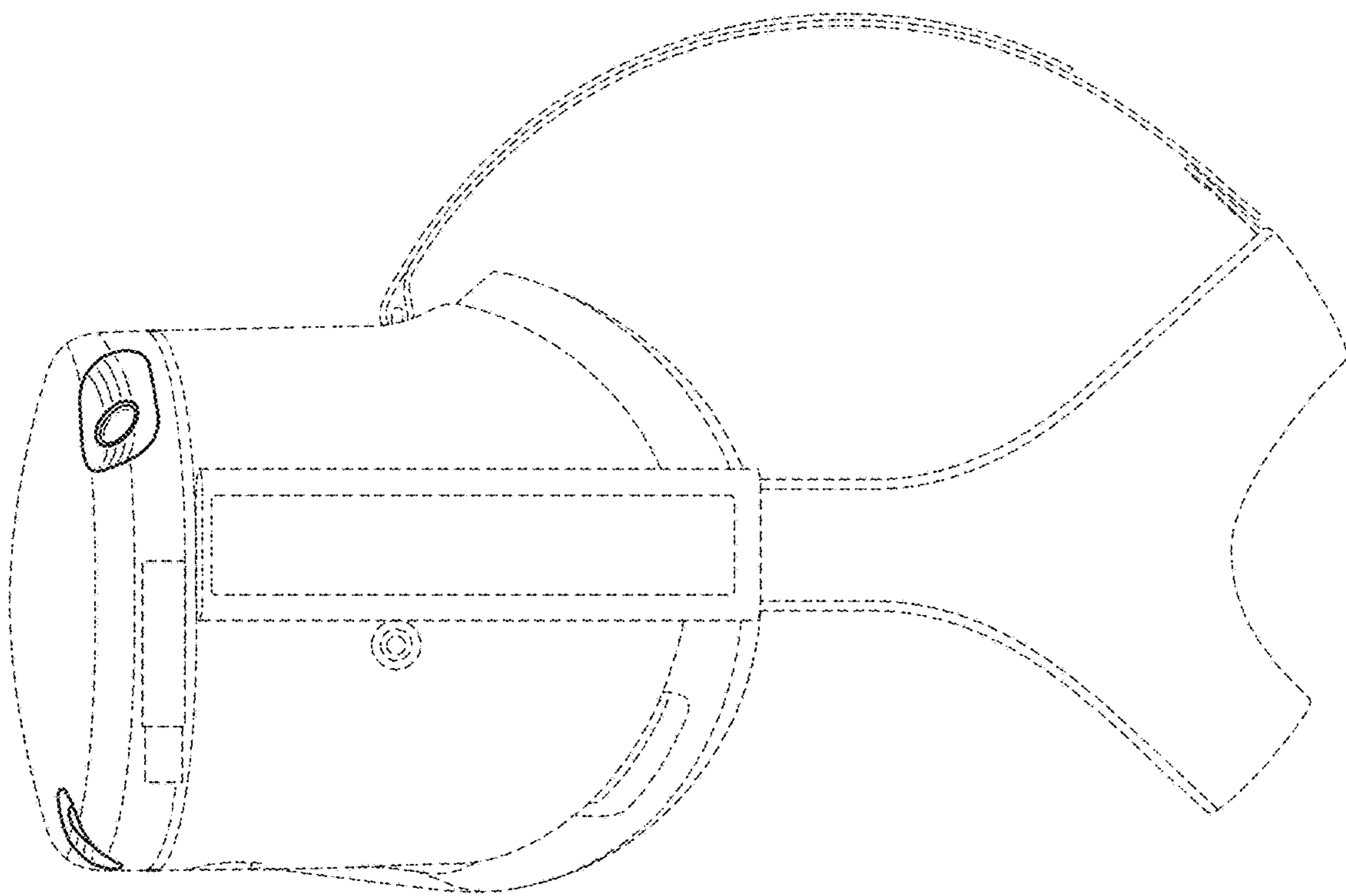


FIG. 5

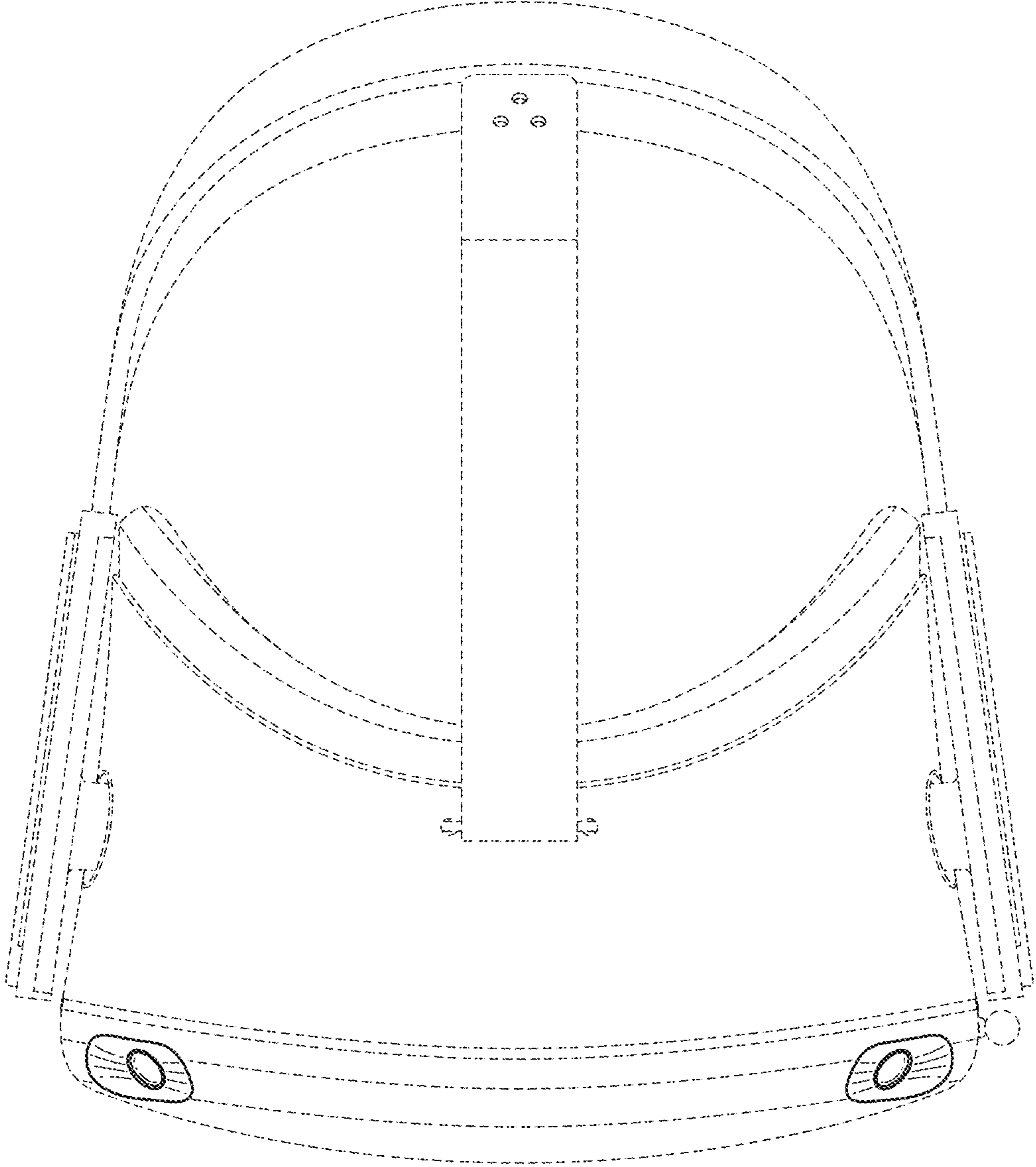


FIG. 6

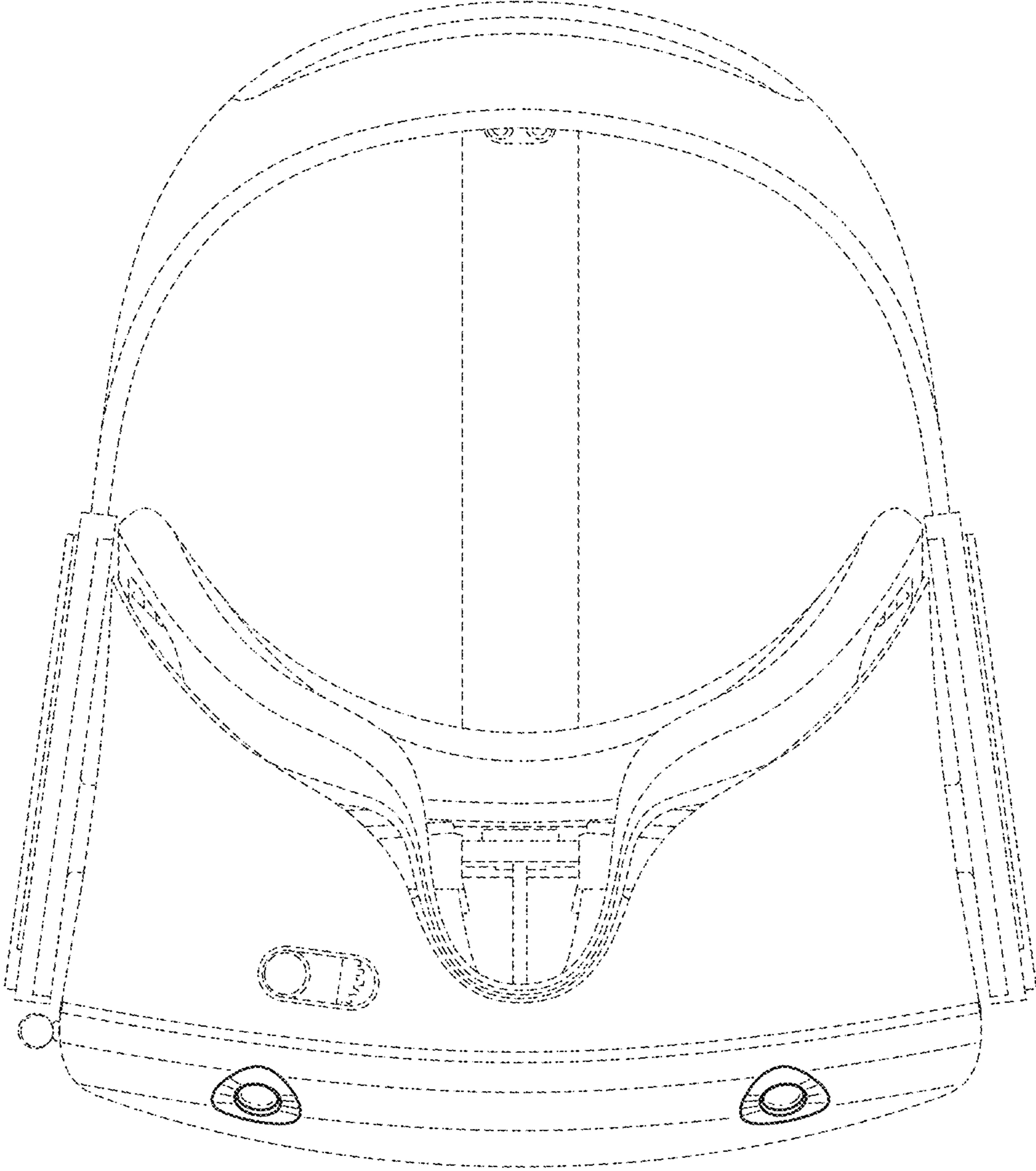


FIG. 7