



US00D831018S

(12) **United States Design Patent** (10) **Patent No.:** **US D831,018 S**
Kim (45) **Date of Patent:** **** *Oct. 16, 2018**

(54) **CASE FOR ELECTRONIC DEVICE**

(71) Applicant: **SPIGEN KOREA CO., LTD.**, Seoul (KR)

(72) Inventor: **Dae-Young Kim**, Seoul (KR)

(73) Assignee: **SPIGEN KOREA CO., LTD.**, Seoul (KR)

(*) Notice: This patent is subject to a terminal disclaimer.

(**) Term: **15 Years**

(21) Appl. No.: **29/536,182**

(22) Filed: **Aug. 13, 2015**

(51) **LOC (11) Cl.** **14-03**

(52) **U.S. Cl.**
USPC **D14/250**

(58) **Field of Classification Search**
USPC D14/250-253, 440, 203.3-203.7, 217, D14/496, 248, 238.1, 240, 447, 230, 247, D14/341, 345, 346, 439; D3/201, 218, D3/269, 301, 273, 303; D13/103, D13/107-108; 220/4.02; 248/309.1; 361/679.56; 379/426, 433.11, 455; 455/575.1, 575.8; 190/100; 206/305, 206/320

CPC . A45C 2011/002; A45C 11/00; A45C 13/002; A45C 2011/003; H04M 1/0283; H04M 1/0202; H04M 1/185; H04B 1/3888
See application file for complete search history.

(56) **References Cited**

U.S. PATENT DOCUMENTS

D638,828 S * 5/2011 Melanson D14/250
D638,829 S * 5/2011 Melanson D14/250
D642,169 S 7/2011 Andre

(Continued)

OTHER PUBLICATIONS

Spigen, Neo Hybrid Carbon Fiber Slim Fit Reinforced Bumper Protection Case for iPhone 6 Plus/6S Plus, "https://www.amazon.co.uk/dp/B010MVRNOM/ref=noref?_encoding=UTF8&psc=1&s=electronics", available online Jul. 21, 2015 (retrieved Apr. 2017).*

(Continued)

Primary Examiner — Sandra S Snapp

Assistant Examiner — Holly E Thurman

(74) *Attorney, Agent, or Firm* — Heedong Chae; Lucem, PC

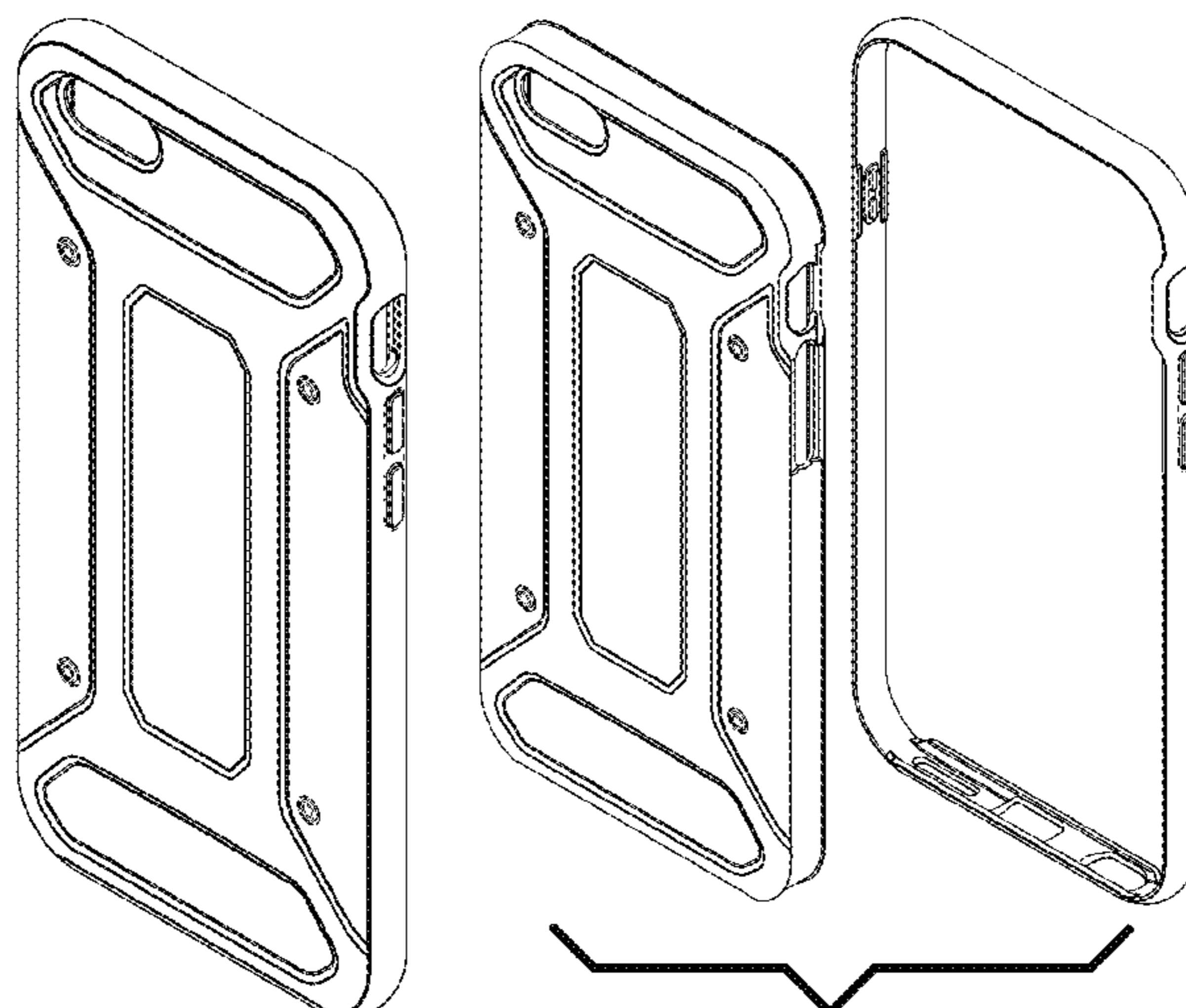
(57) **CLAIM**

The ornamental design for a case for electronic device, as shown and described.

DESCRIPTION

FIG. 1 is a front perspective view of a case for electronic device, comprised of an inner shell and outer frame, showing my new design in an assembled state; FIG. 2 is a rear perspective view thereof; FIG. 3 is a front elevational view thereof; FIG. 4 is a rear elevational view thereof; FIG. 5 is a left side elevational view thereof; FIG. 6 is a right side elevational view thereof; FIG. 7 is a top plan view thereof; FIG. 8 is a bottom plan view thereof; FIG. 9 is an exploded front perspective view thereof, showing an inner shell and an outer frame of the case for electronic device separated for clarity of disclosure; FIG. 10 is an exploded rear perspective view thereof; FIG. 11 is a front perspective view showing only the inner shell for clarity of disclosure; FIG. 12 is a rear perspective view thereof; FIG. 13 is a front perspective view showing only the outer frame for clarity of disclosure; and, FIG. 14 is a rear perspective view thereof. The broken line showing of environment is for illustrative purposes only and forms no part of the claimed design.

1 Claim, 14 Drawing Sheets



(56)

References Cited

U.S. PATENT DOCUMENTS

D643,029 S 8/2011 Feng
 D646,671 S 10/2011 Fathollahi
 D646,673 S 10/2011 Fathollahi
 D647,518 S * 10/2011 Fathollahi D14/250
 D662,923 S 7/2012 Piedra
 8,249,679 B2 8/2012 Cui
 D669,458 S 10/2012 Wilson
 D670,279 S * 11/2012 Veltz D14/250
 D673,545 S * 1/2013 Magness D14/250
 D674,789 S * 1/2013 Wen A45C 11/00
 D14/250
 8,430,240 B2 4/2013 Kim
 D681,613 S 5/2013 Magness
 D681,623 S * 5/2013 Chang D14/250
 8,457,701 B2 6/2013 Diebel
 D685,358 S 7/2013 Armstrong
 D685,776 S 7/2013 Bau
 D695,744 S * 12/2013 Weller D14/440
 D696,656 S 12/2013 Murchison
 D698,343 S * 1/2014 Chang D14/250
 D701,211 S 3/2014 Ng
 D703,197 S 4/2014 Melanson
 D703,650 S 4/2014 Ehrlich
 D707,216 S * 6/2014 Lee D14/250
 D709,063 S * 7/2014 Chang D14/250
 D709,488 S * 7/2014 Bulkley D14/250
 D710,837 S * 8/2014 Chaney D14/250
 D718,292 S 11/2014 Hemesath
 D718,316 S * 11/2014 Veltz D14/440
 D718,755 S 12/2014 To
 D719,559 S 12/2014 Dukerschein
 D721,069 S * 1/2015 Havens D14/250
 D721,360 S 1/2015 Laffon de mazieres
 D724,093 S * 3/2015 Dong D14/440
 D725,117 S * 3/2015 Melanson D14/440
 9,004,275 B2 4/2015 Lee
 D733,154 S * 6/2015 Armstrong D14/440
 D733,693 S 7/2015 Wang
 D736,205 S 8/2015 Park
 D737,276 S * 8/2015 Armstrong D14/440

D741,279 S 10/2015 Tai
 D741,845 S 10/2015 Kim
 D743,389 S 11/2015 Akana
 9,185,813 B2 11/2015 Diebel
 D744,993 S 12/2015 Diebel
 D746,275 S 12/2015 Mohammad
 D747,306 S 1/2016 Kim
 9,237,211 B2 1/2016 Tabe
 D748,614 S 2/2016 Ju
 D749,555 S 2/2016 Poon
 D749,567 S 2/2016 Lee
 9,247,795 B2 2/2016 Kim
 9,295,174 B2 3/2016 Witter
 9,300,768 B1 3/2016 Dining et al.
 9,301,414 B2 3/2016 Chao
 D753,099 S 4/2016 Kim
 D754,652 S 4/2016 Roberts et al.
 9,307,096 B2 4/2016 Hsu
 D756,343 S 5/2016 Wall et al.
 D761,239 S 7/2016 Kim
 D763,841 S 8/2016 Kim
 D765,633 S 9/2016 Northrup et al.
 D765,635 S 9/2016 Cheng et al.
 D765,644 S 9/2016 Witter et al.
 D766,249 S 9/2016 Veltz
 D766,885 S 9/2016 Armstrong
 D767,553 S 9/2016 Fathollahi
 D768,123 S 10/2016 Armstrong
 D774,498 S 12/2016 Tao
 D775,112 S 12/2016 Hemesath
 D781,835 S 3/2017 Kim
 D781,838 S 3/2017 Kim

OTHER PUBLICATIONS

Spigen, Rugged Armor Case for iPhone 6s Plus—Black, “https://www.amazon.co.uk/Spigen-Resilient-Protection-Ultimate-protection/dp/B010MVR76Q/ref=pd_sim_107_3?_encoding=UTF8&psc=1&refRID=X9ZCG3RT1YSBZJ8P986D”, available online Jul. 21, 2015 (retrieved Apr. 27, 2017).*

* cited by examiner

FIG. 1

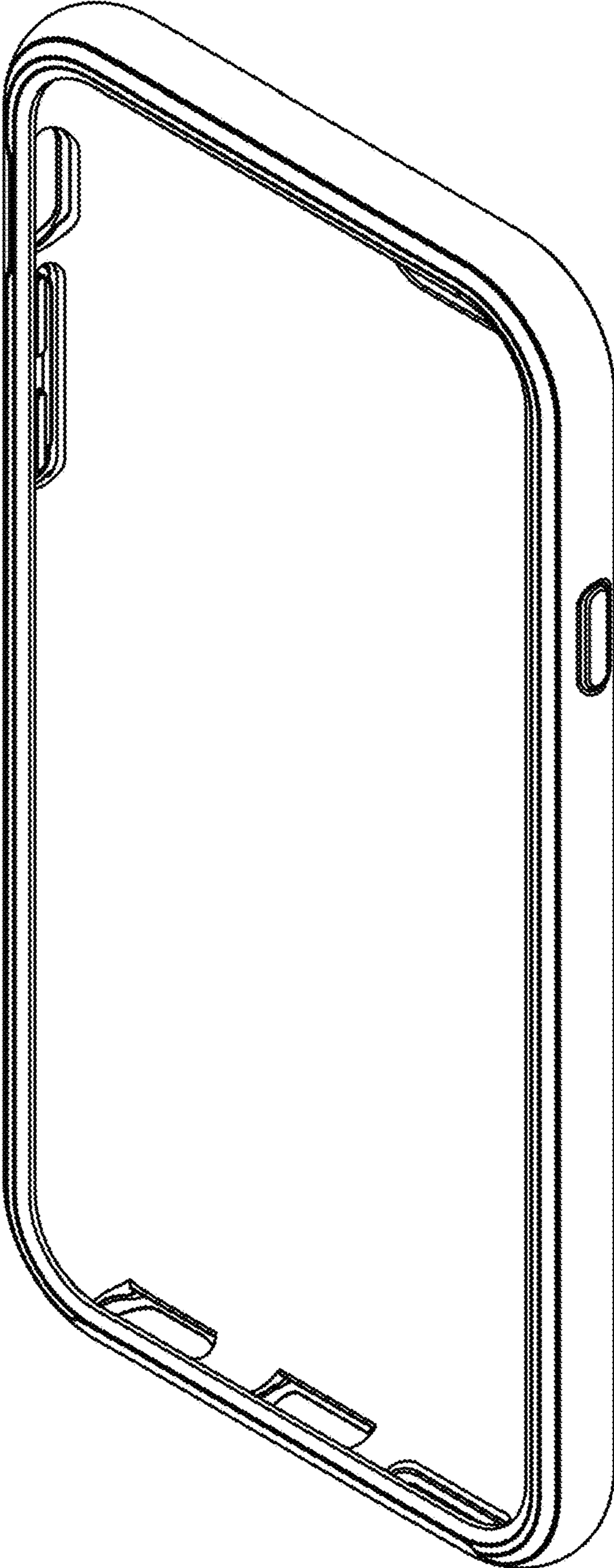


FIG. 2

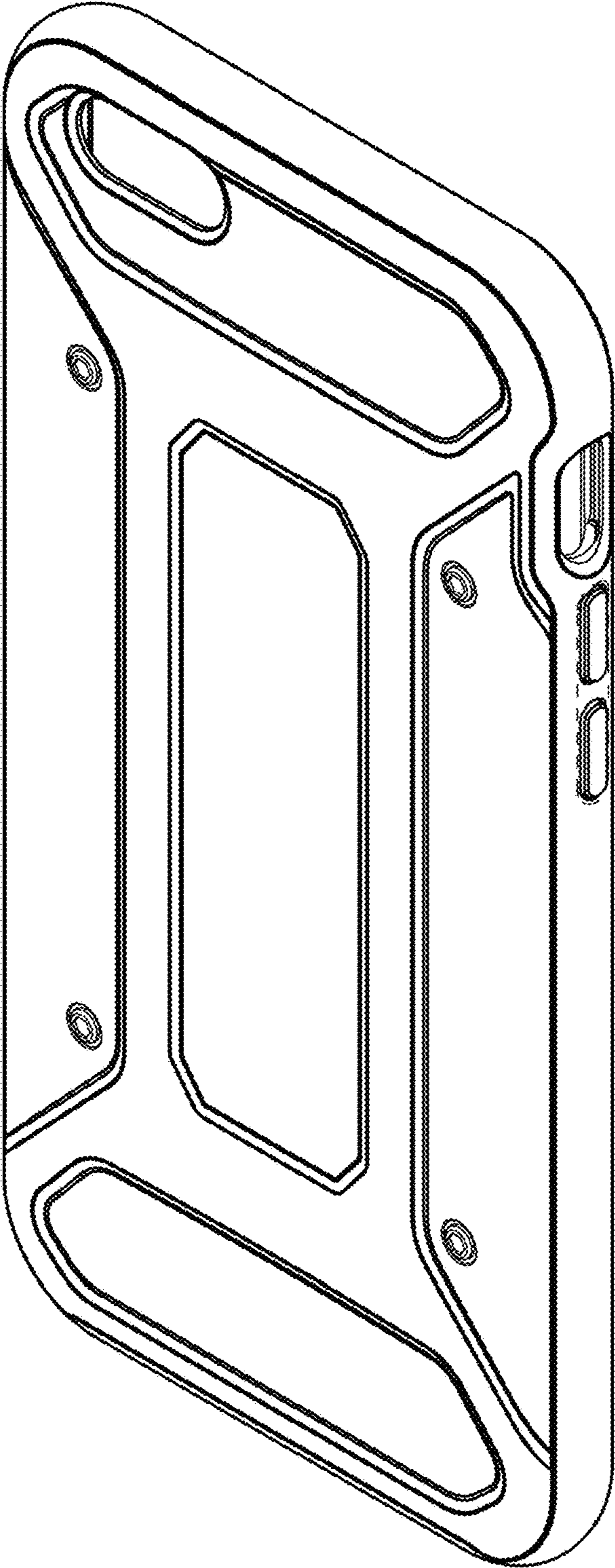


FIG. 3

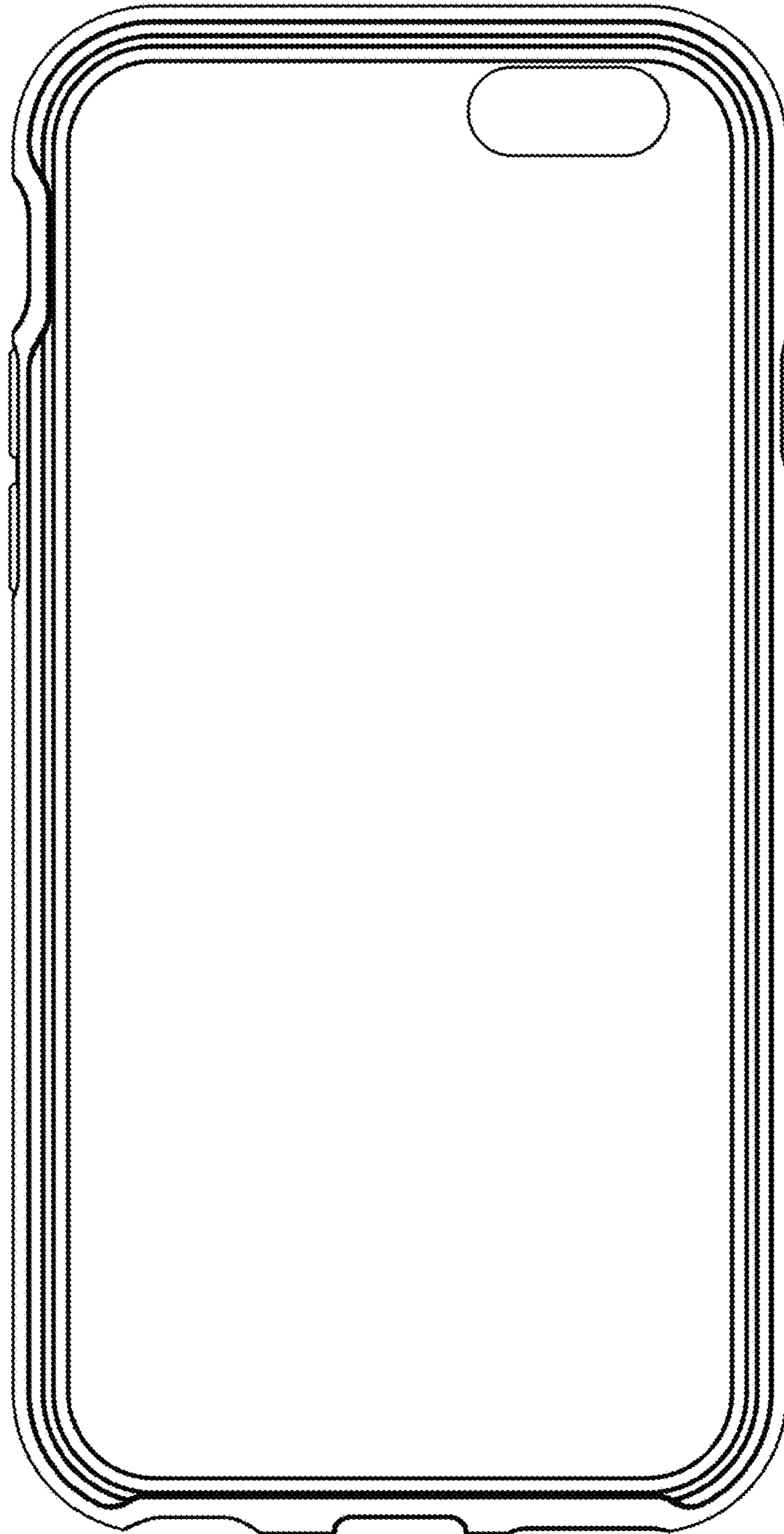


FIG. 4

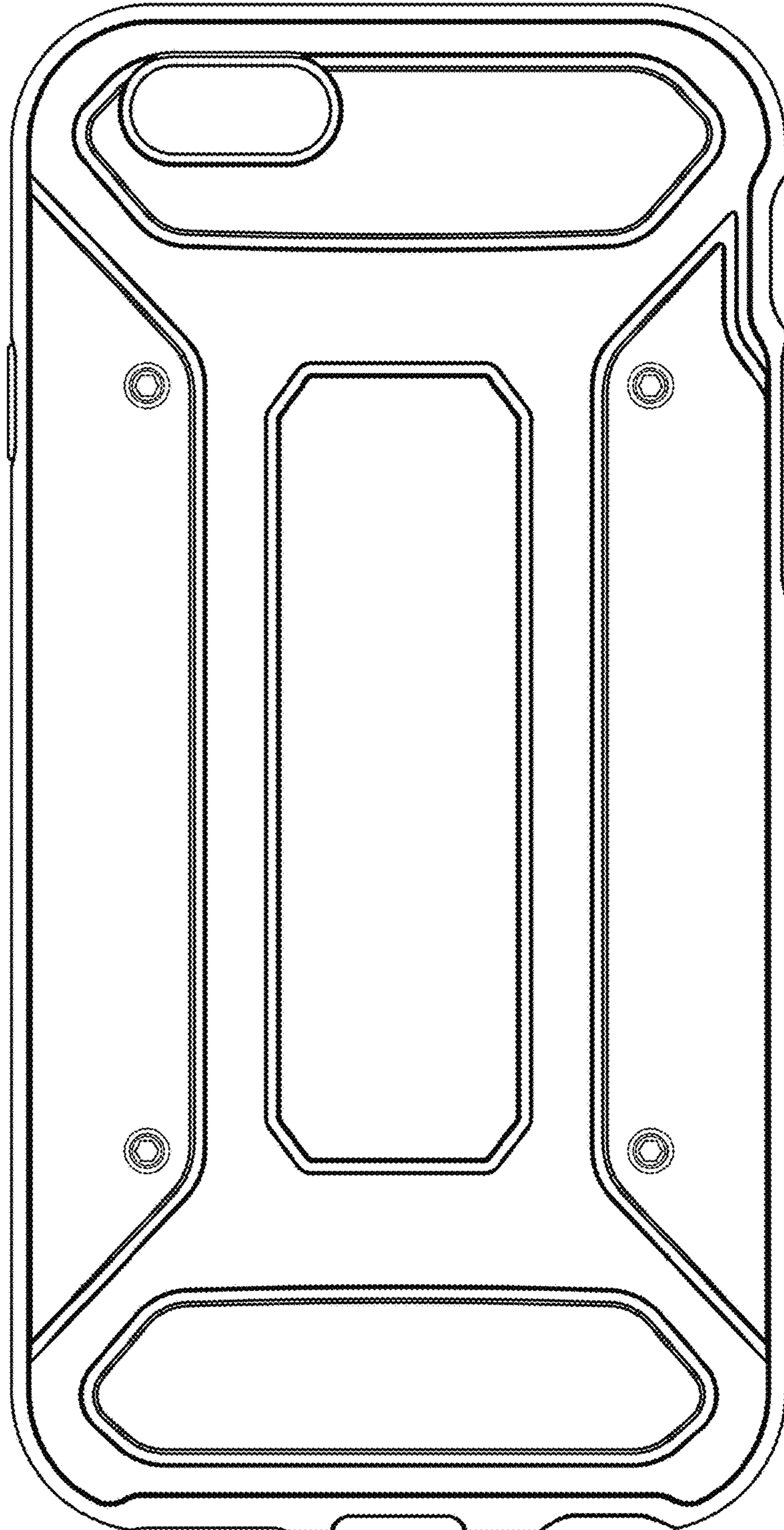


FIG. 5

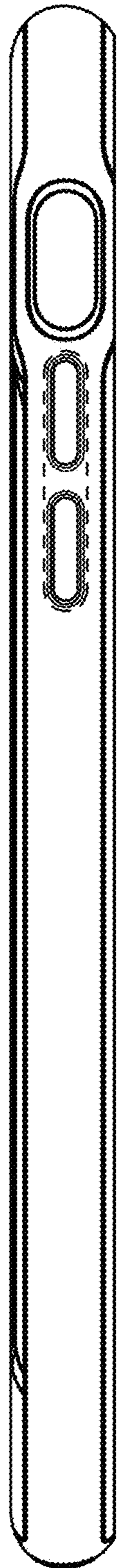


FIG. 6

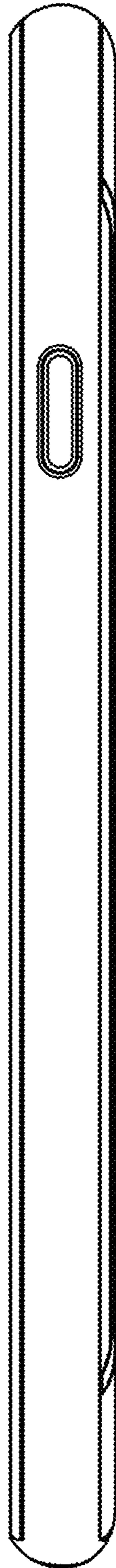


FIG. 7



FIG. 8

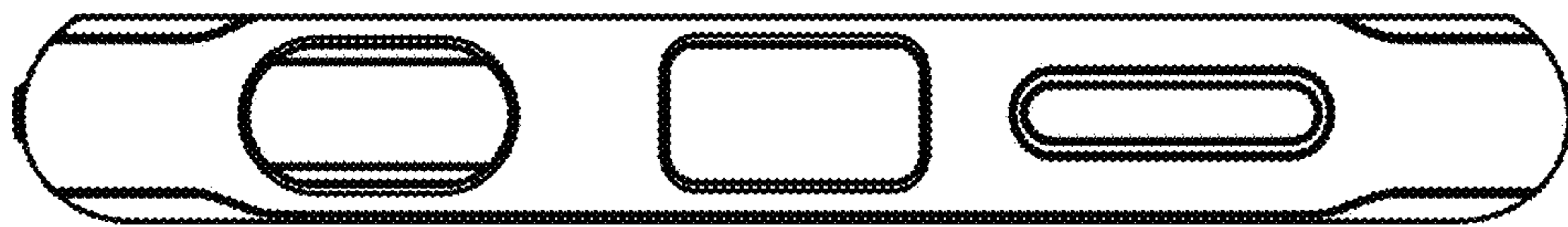


FIG. 9

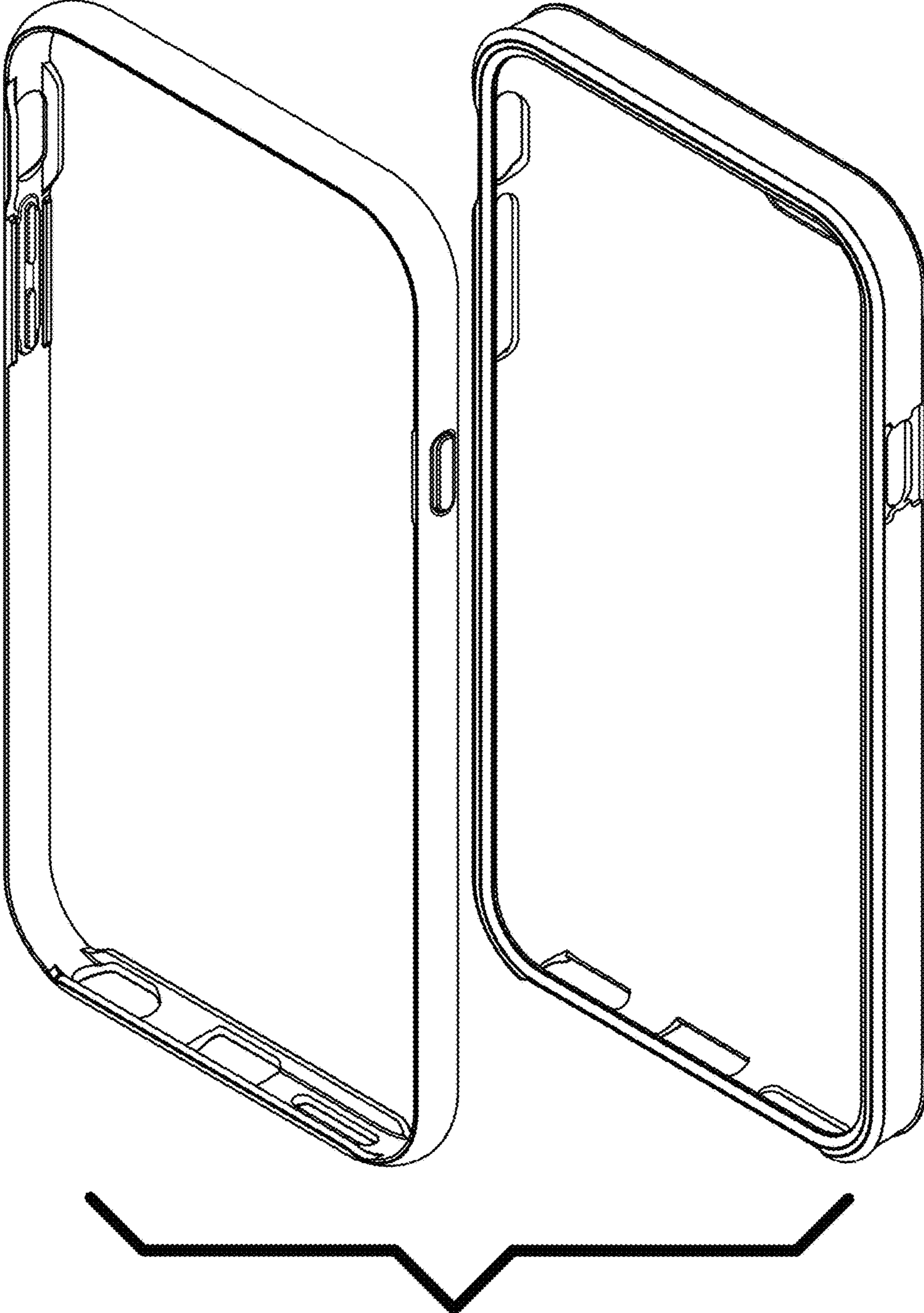


FIG. 10

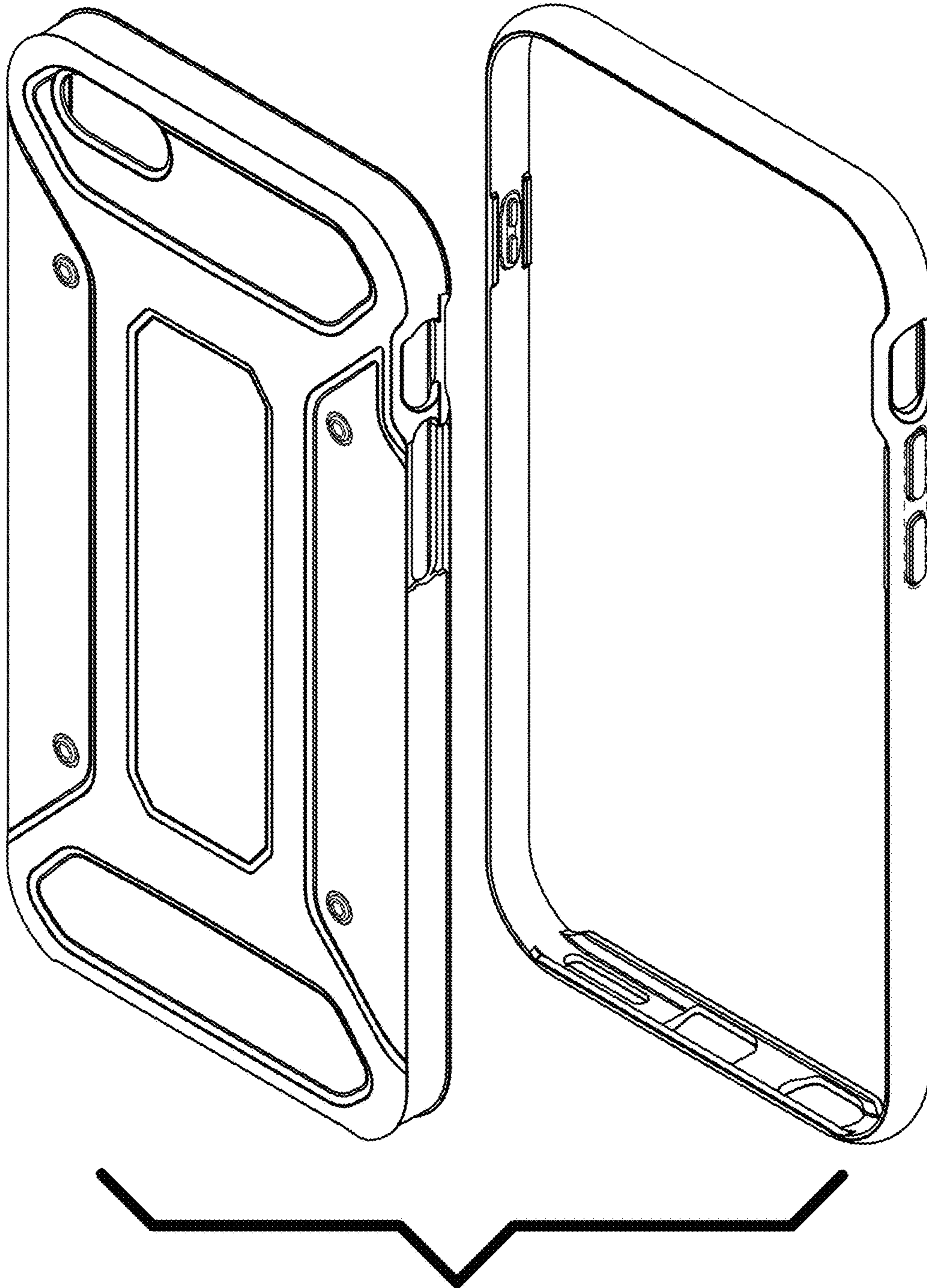


FIG. 11

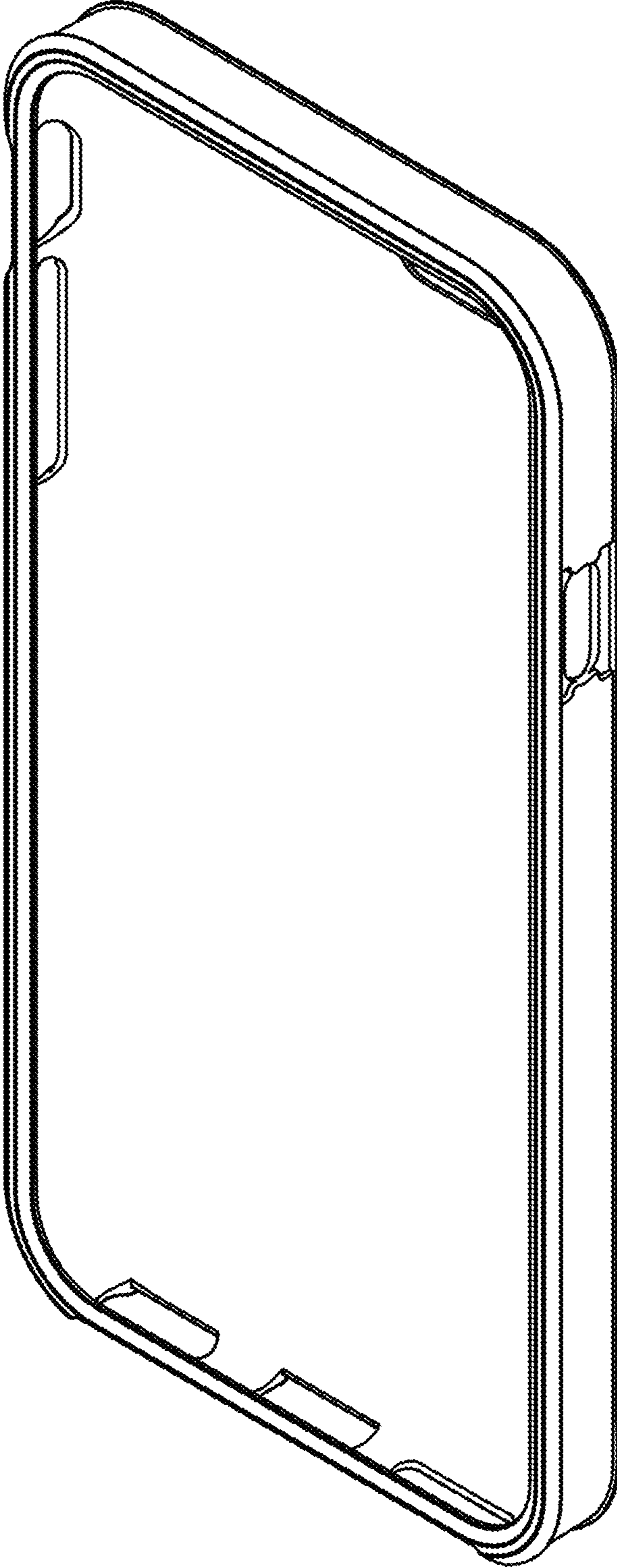


FIG. 12

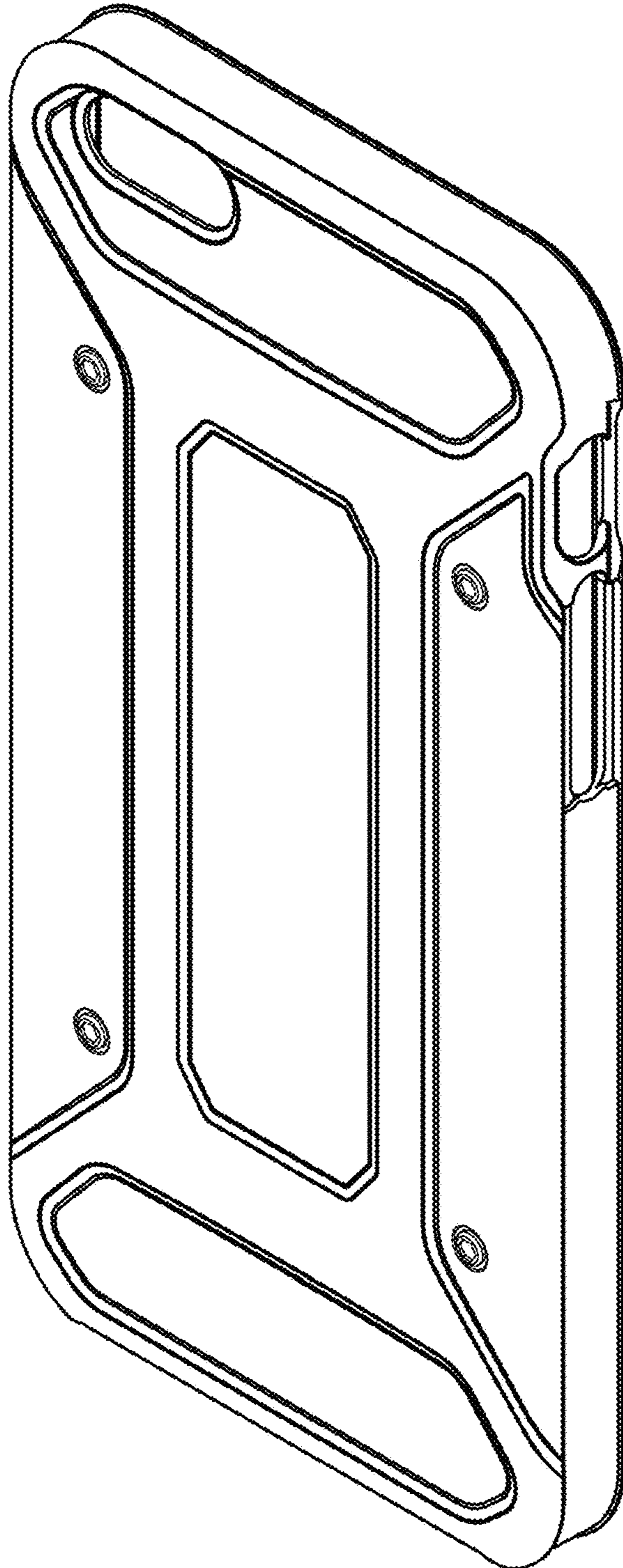


FIG. 13

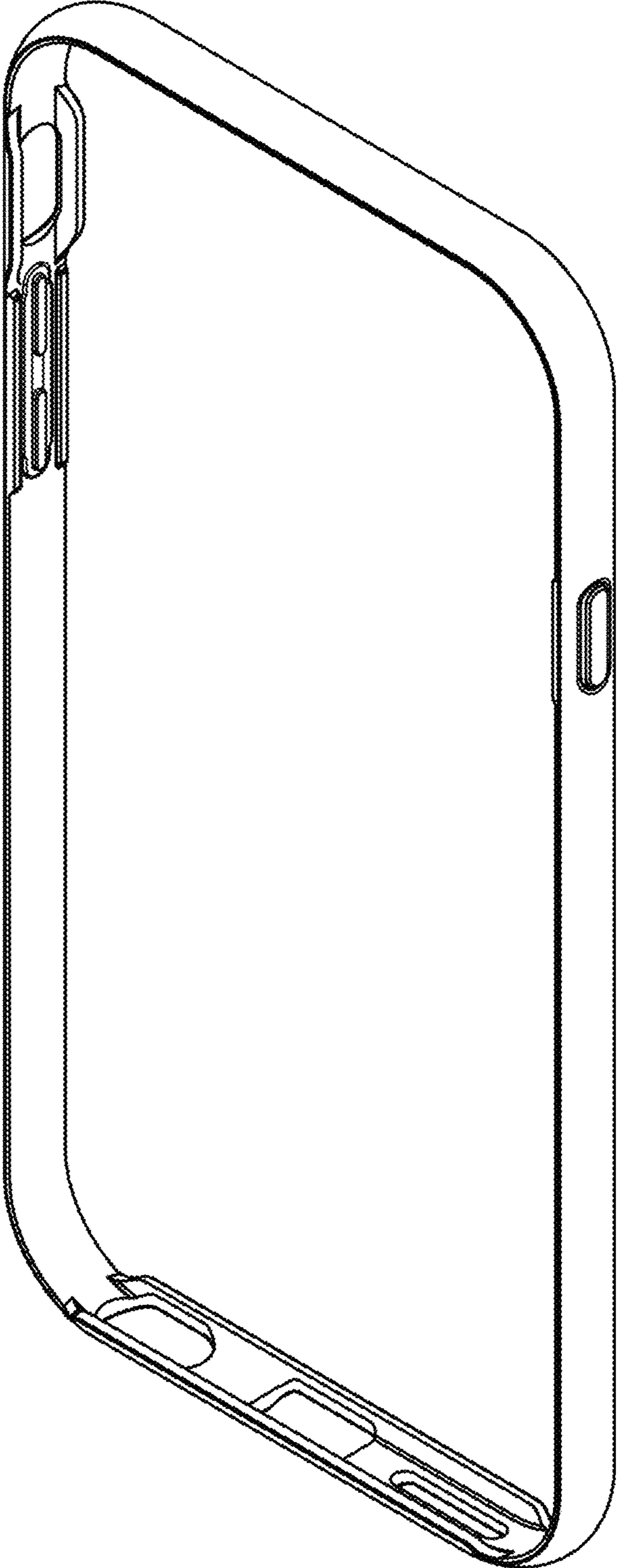


FIG. 14

