



US00D831014S

(12) **United States Design Patent** (10) **Patent No.:** **US D831,014 S**  
**Delibie** (45) **Date of Patent:** **\*\* Oct. 16, 2018**

(54) **COMBINED BASE STATION WITH MOUNTING BRACKET**

(71) Applicant: **KERLINK**, Thorigne Fouillard (FR)

(72) Inventor: **Yannick Delibie**, Thorigne-Fouillard (FR)

(73) Assignee: **KERLINK**, Thorigne Fouillard (FR)

(\*\*) Term: **15 Years**

(21) Appl. No.: **29/575,113**

(22) Filed: **Aug. 22, 2016**

(30) **Foreign Application Priority Data**

Feb. 23, 2016 (EM) ..... 002999516-0001

(51) **LOC (11) Cl.** ..... **14-03**

(52) **U.S. Cl.**  
USPC ..... **D14/242**; D14/238

(58) **Field of Classification Search**

USPC ..... D14/356, 357, 358, 361, 362, 365, 367,  
D14/370, 388, 432, 434, 203.1, 203.6,  
D14/204, 205, 216, 217, 218, 240, 242,  
D14/299, 125, 129, 130, 140, 155, 168,  
D14/188, 195, 300, 302, 314, 348, 351,  
D14/496, 142, 238; D13/103, 107, 108,  
D13/123, 152, 162, 162.1, 163, 168, 184,  
D13/199; D10/104.1, 106.6, 116.1, 61,  
D10/64, 75

CPC ... H04W 88/08; H04W 88/085; H04W 88/00;  
H04W 88/005; H04W 88/02; H04W  
88/12; H04W 88/14; H04W 88/16; H04W  
88/18; H04W 4/00; H01Q 1/02; H01Q  
1/2291; H01Q 1/246; H04B 1/38

See application file for complete search history.

(56) **References Cited**

U.S. PATENT DOCUMENTS

D246,585 S \* 12/1977 Parduhn ..... D14/238  
D248,026 S \* 5/1978 Gostomski ..... D14/238

D249,517 S \* 9/1978 Parduhn ..... D14/238  
D342,250 S \* 12/1993 Beaumont ..... D13/184  
D364,618 S \* 11/1995 Somoza ..... D14/142  
5,521,793 A \* 5/1996 Dalgleish ..... H04B 1/38  
220/315  
D377,652 S \* 1/1997 Sarkiniemi ..... D13/184  
D384,065 S \* 9/1997 Bice ..... D14/149  
D392,644 S \* 3/1998 McGugan ..... D13/184

(Continued)

#### OTHER PUBLICATIONS

Kerlink launches first long range gateway dedicated to the Internet of Things. [www.iot-now.com](http://www.iot-now.com). [online] 6 pgs. Posted Mar. 7, 2014 [Retrieved on Nov. 8, 2017] <https://www.iot-now.com/2014/03/07/18771-kerlink-launches-first-long-range-gateway-dedicated-internet-things/>.\*

*Primary Examiner* — Susan Bennett Hattan

*Assistant Examiner* — Marie D. Fast Horse

(74) *Attorney, Agent, or Firm* — Notaro, Michalos & Zaccaria P.C.

(57) **CLAIM**

The ornamental design for a combined base station with mounting bracket, as shown and described.

#### DESCRIPTION

FIG. 1 is a front, right perspective view of a base station combined base station with mounting bracket showing my design therefor;

FIG. 2 is a rear, top perspective view thereof;

FIG. 3 is a side perspective view thereof;

FIG. 4 is a front, top perspective view thereof;

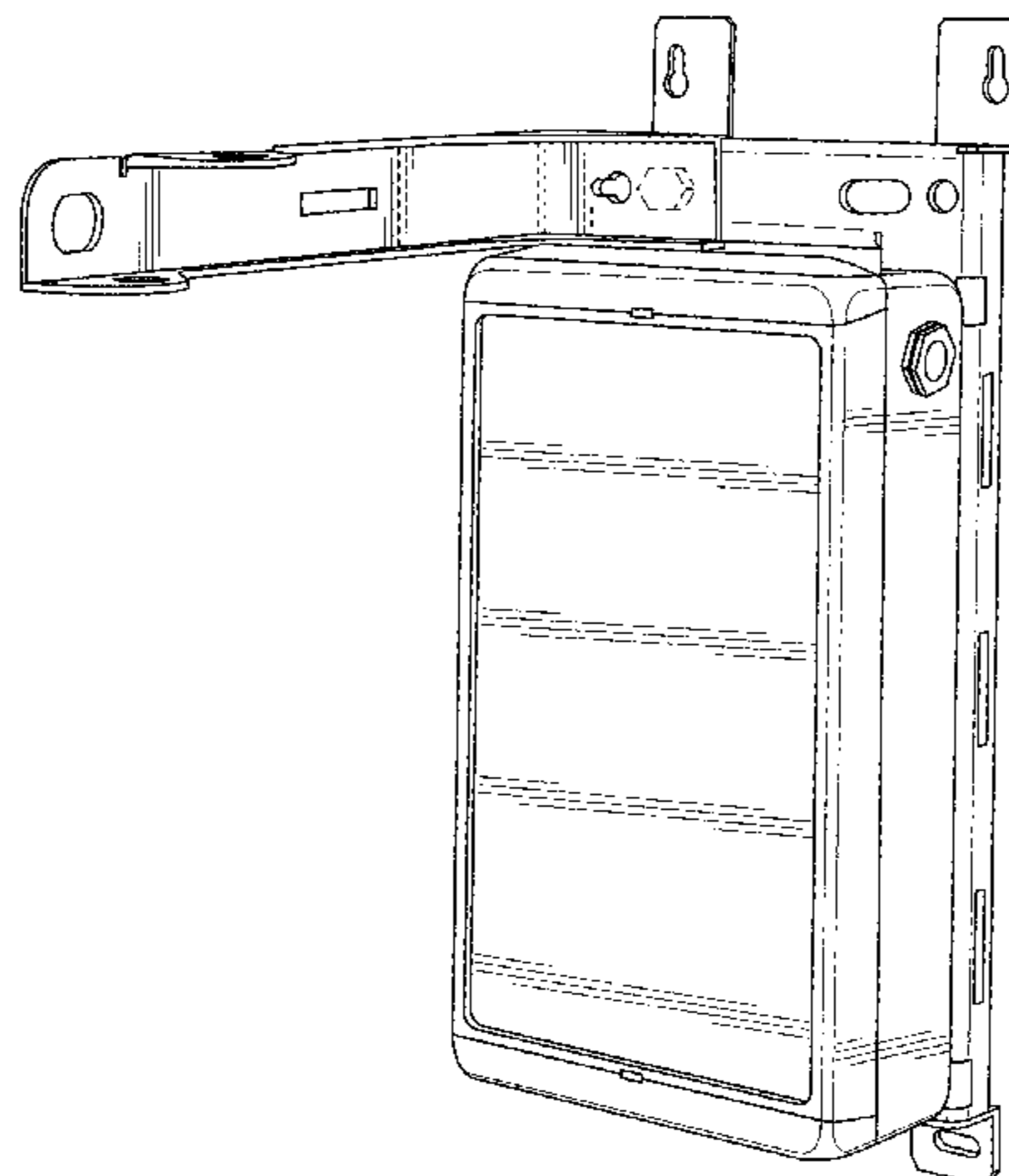
FIG. 5 is a side perspective view thereof;

FIG. 6 is a top perspective view thereof; and,

FIG. 7 is a bottom perspective view thereof.

The broken lines in the drawings depict portions of the combined base station with mounting bracket that form no part of the claim.

**1 Claim, 7 Drawing Sheets**



(56)

References Cited

U.S. PATENT DOCUMENTS

D402,663 S \* 12/1998 Fechner ..... D13/184  
 D409,199 S \* 5/1999 Taguchi ..... D14/217  
 D415,769 S \* 10/1999 Waldner ..... D13/152  
 D427,180 S \* 6/2000 Humes ..... D14/230  
 D429,238 S \* 8/2000 Kolinen ..... D14/240  
 D438,532 S \* 3/2001 Gargani ..... D14/240  
 6,470,193 B1 \* 10/2002 Stolt ..... H01P 1/2131  
 375/299  
 D473,221 S \* 4/2003 Gargani ..... D14/240  
 D485,551 S \* 1/2004 Mikkola ..... D14/240  
 D487,080 S \* 2/2004 Chen ..... D14/242  
 D489,720 S \* 5/2004 Sasaki ..... D14/358  
 D535,646 S \* 1/2007 Allen ..... D14/230  
 D543,513 S \* 5/2007 Allen ..... D13/184  
 D549,663 S \* 8/2007 Tsou ..... D13/147  
 D587,708 S \* 3/2009 Yoshida ..... D14/358  
 D641,740 S \* 7/2011 Jeon ..... D14/140.6  
 D649,141 S \* 11/2011 Thomas ..... D14/240  
 D671,534 S \* 11/2012 Huang ..... D14/242  
 D673,935 S \* 1/2013 Lee ..... D14/240  
 D695,686 S \* 12/2013 Fukano ..... D13/146  
 D695,687 S \* 12/2013 Fukano ..... D13/146  
 D714,753 S \* 10/2014 Lee ..... D14/140  
 D717,284 S \* 11/2014 Kurosawa ..... D14/240

D730,331 S \* 5/2015 Wong ..... D14/238  
 D730,880 S \* 6/2015 Nagata ..... D14/240  
 D731,470 S \* 6/2015 Terasawa ..... D14/240  
 D736,193 S \* 8/2015 Kwak ..... D14/240  
 D742,864 S \* 11/2015 Kurosawa ..... D14/240  
 D755,762 S \* 5/2016 Moon ..... D14/242  
 D759,639 S \* 6/2016 Moon ..... D14/242  
 D768,586 S \* 10/2016 Christianson ..... D10/106.1  
 D768,610 S \* 10/2016 Moon ..... D14/242  
 D769,231 S \* 10/2016 Kwak ..... D14/242  
 D780,731 S \* 3/2017 Kim ..... D14/242  
 D781,257 S \* 3/2017 Moon ..... D14/125  
 D783,579 S \* 4/2017 MacManus ..... D14/240  
 D783,580 S \* 4/2017 MacManus ..... D14/240  
 D783,582 S \* 4/2017 Moon ..... D14/240  
 D784,969 S \* 4/2017 MacManus ..... D14/240  
 D784,970 S \* 4/2017 MacManus ..... D14/240  
 D784,971 S \* 4/2017 Naslund ..... D14/242  
 D788,776 S \* 6/2017 Marzette, Jr. .... D14/358  
 D789,338 S \* 6/2017 Moon ..... D14/240  
 D789,360 S \* 6/2017 Moon ..... D14/240  
 D789,361 S \* 6/2017 Ali ..... D14/358  
 D790,538 S \* 6/2017 Saimen ..... D14/240  
 D791,767 S \* 7/2017 Ali ..... D14/358  
 D798,296 S \* 9/2017 Ali ..... D14/358  
 2014/0233613 A1 \* 8/2014 Fink ..... H04W 24/02  
 375/219

\* cited by examiner

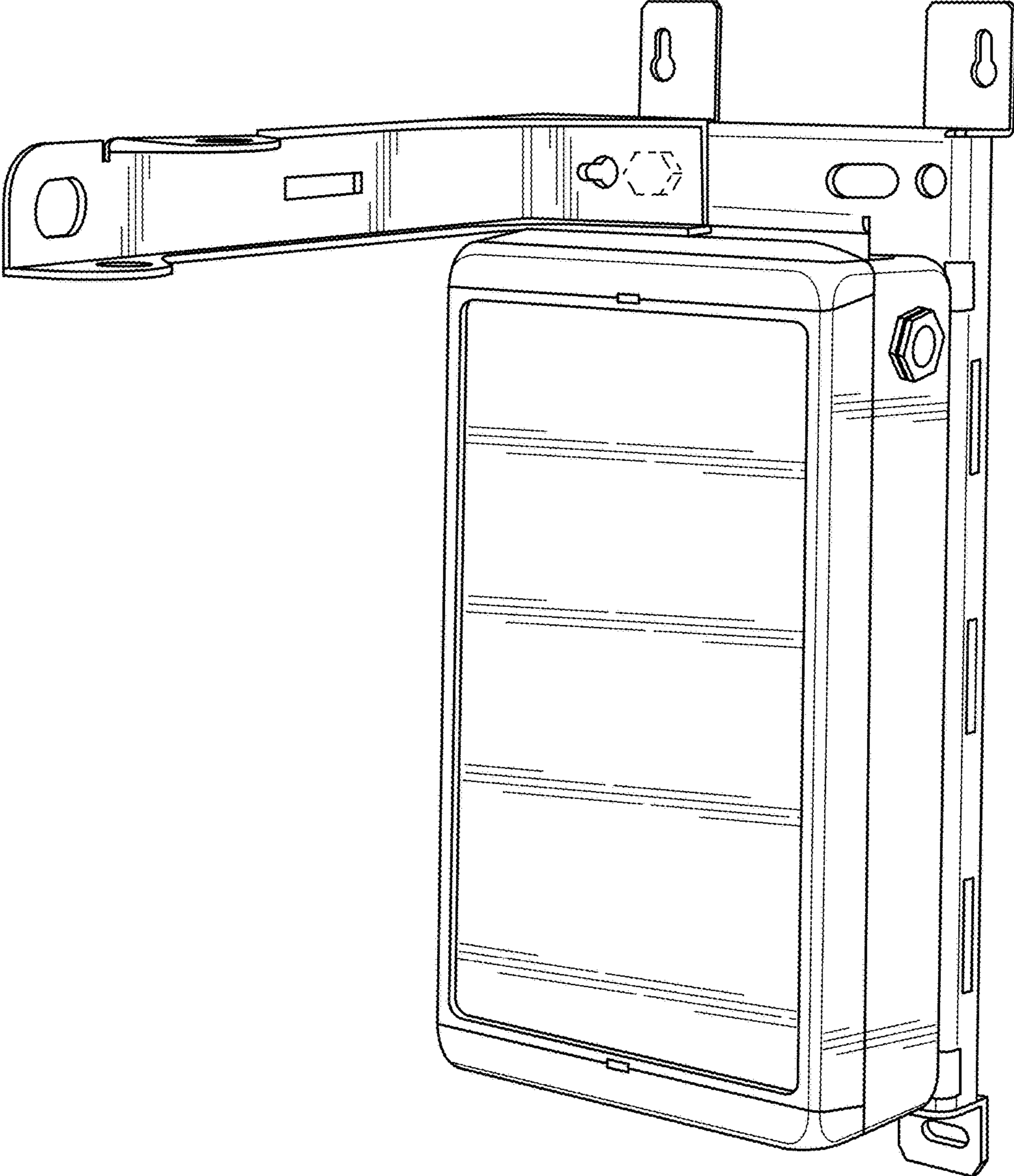


FIG. 1

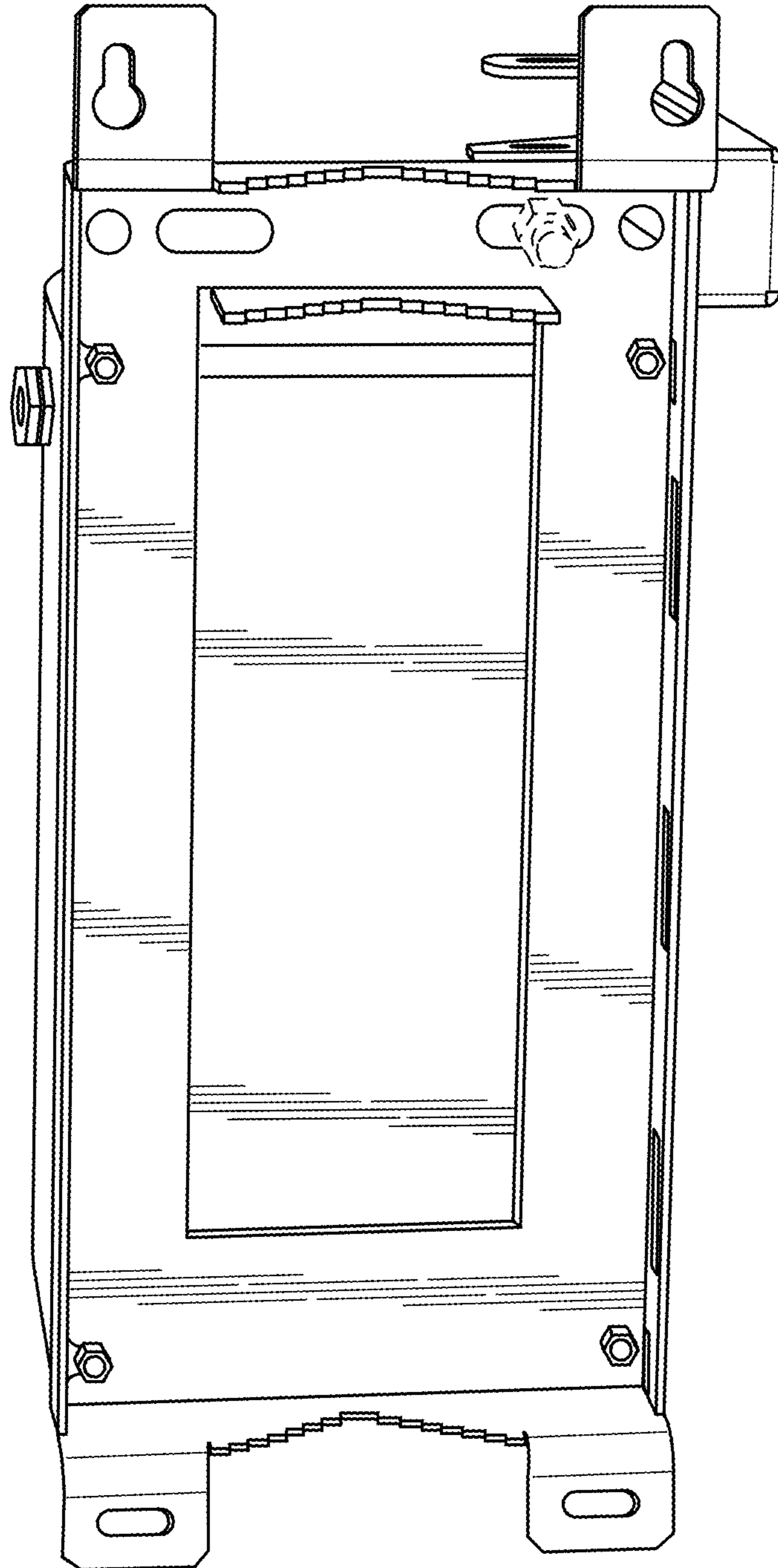


FIG. 2

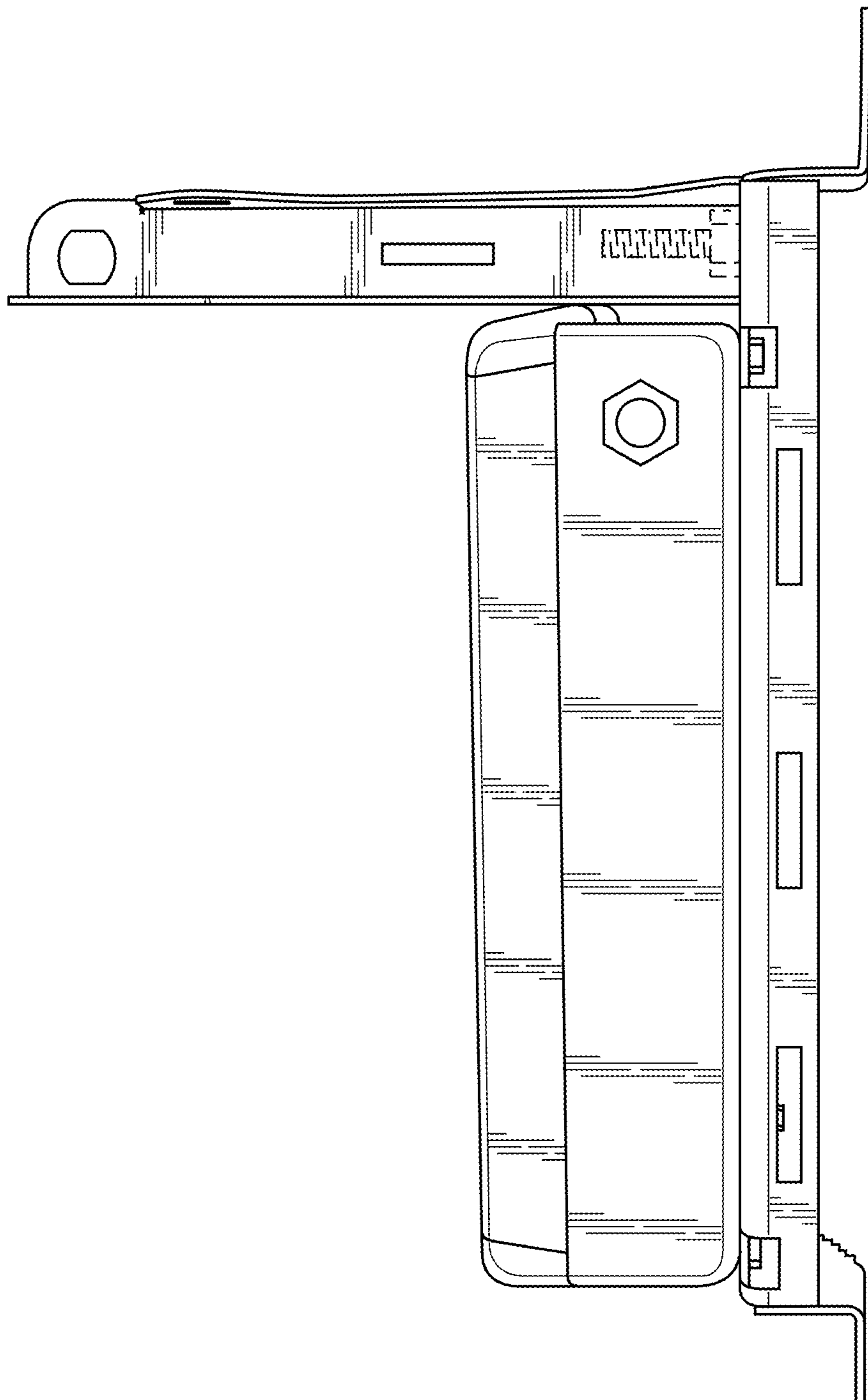


FIG. 3

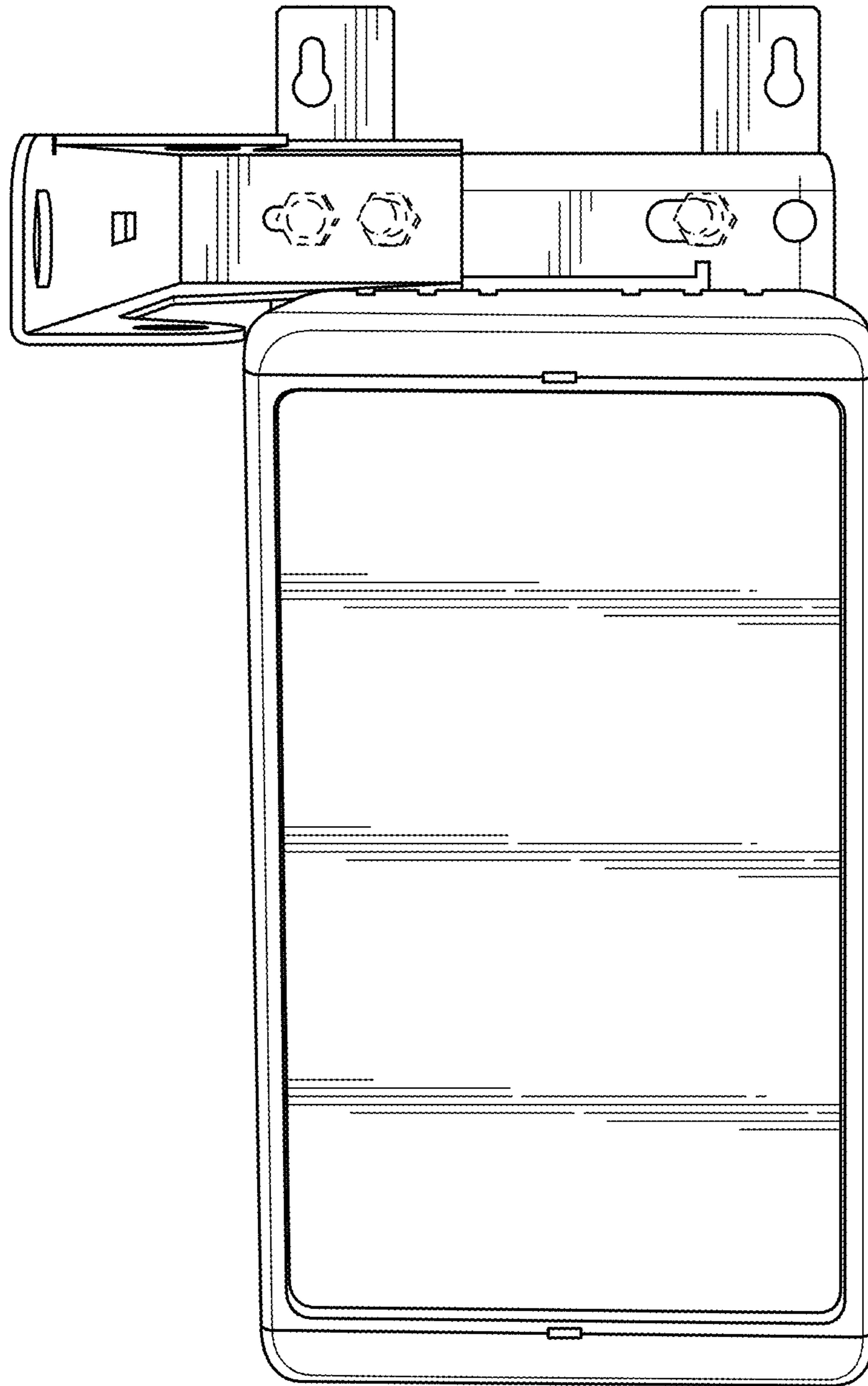


FIG. 4

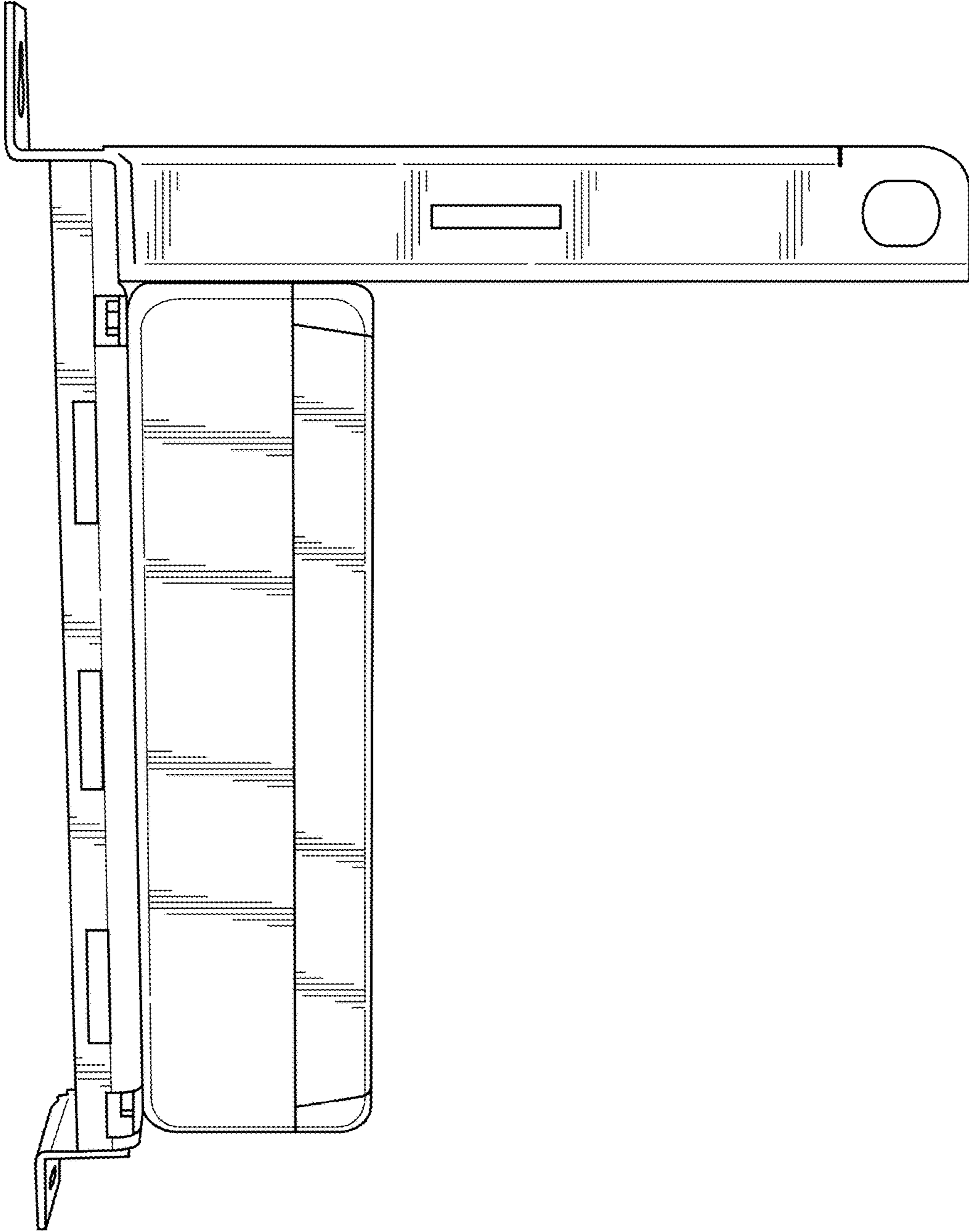


FIG. 5

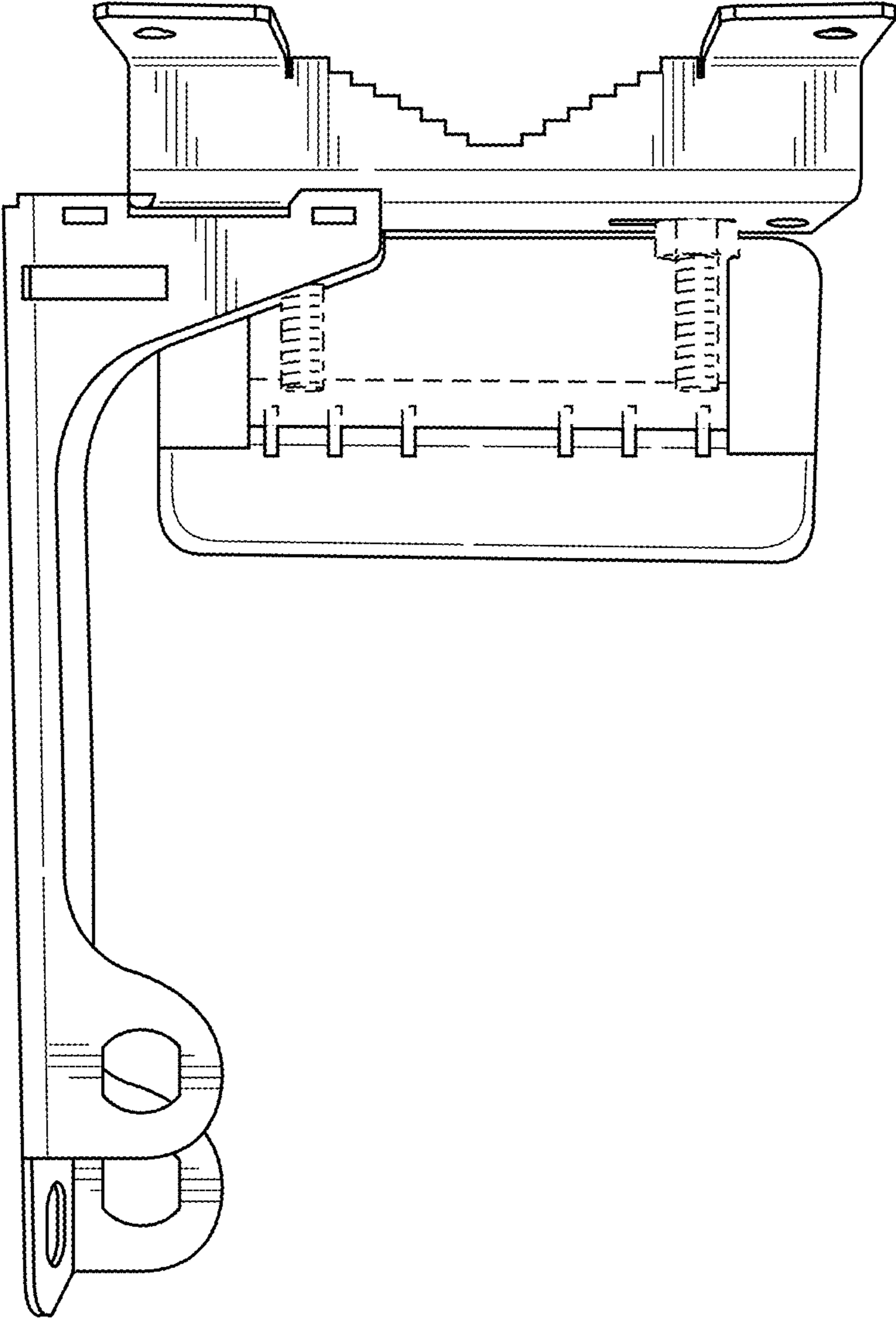


FIG. 6



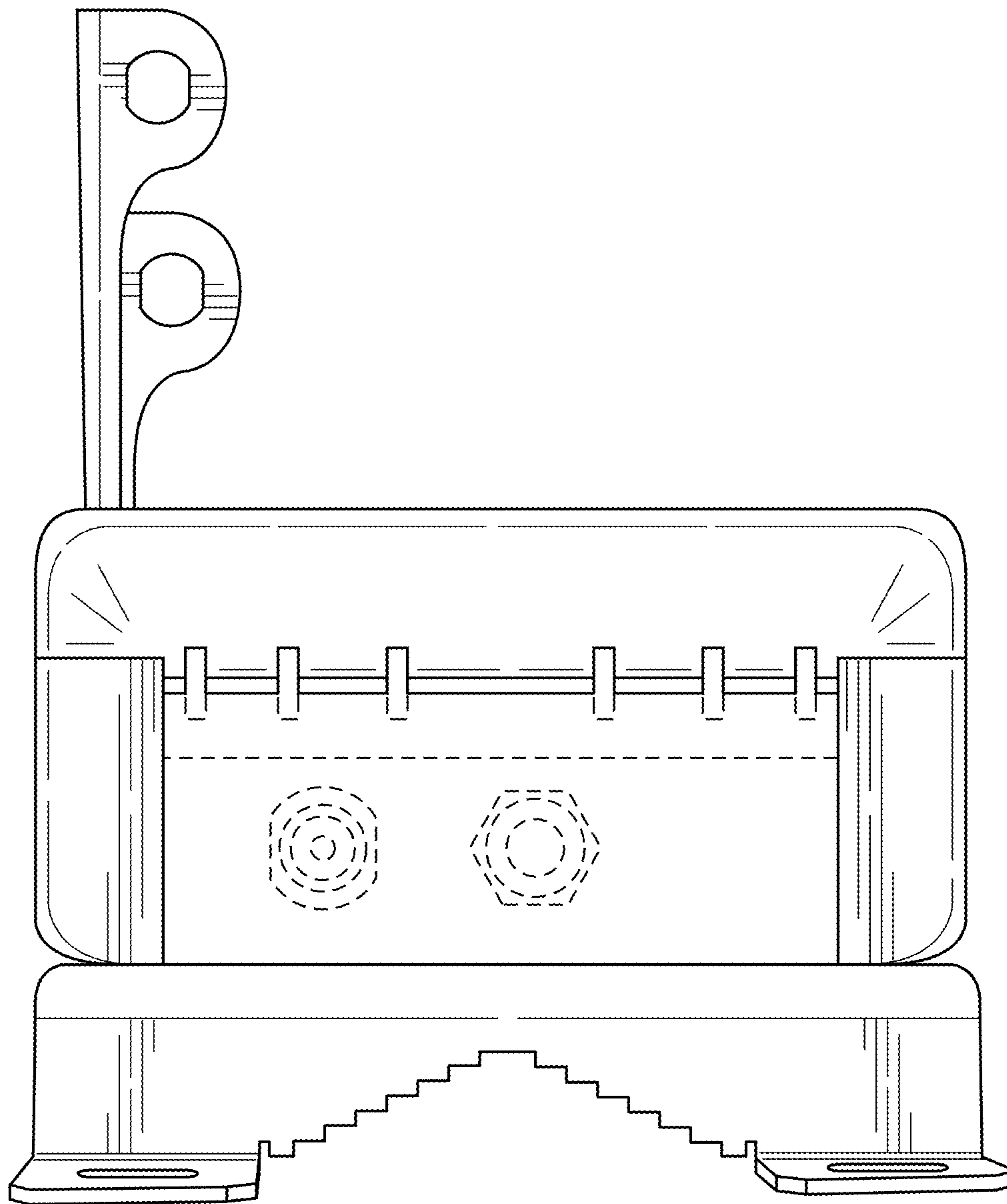


FIG. 7