



US00D831013S

(12) **United States Design Patent**
Jou et al.

(10) **Patent No.:** **US D831,013 S**
(45) **Date of Patent:** **** Oct. 16, 2018**

(54) **GATEWAY**

(71) Applicant: **Comcast Cable Communications, LLC**, Philadelphia, PA (US)

(72) Inventors: **Michael Jou**, Philadelphia, PA (US);
Neil Epstein, Havetown, PA (US);
Fraser Stirling, Bryn Mawr, PA (US);
Julie Biron Maletz, Philadelphia, PA (US);
Thomas Loretan, Philadelphia, PA (US)

(73) Assignee: **Comcast Cable Communications, LLC**, Philadelphia, PA (US)

(**) Term: **15 Years**

(21) Appl. No.: **29/568,095**

(22) Filed: **Jun. 15, 2016**

(51) **LOC (11) Cl.** **14-03**

(52) **U.S. Cl.**
USPC **D14/242**

(58) **Field of Classification Search**
USPC D14/242, 240, 355, 357, 358, 125,
D14/140-140.9, 155, 137, 139, 243, 239,
D14/433, 314, 496, 188, 348, 351, 356
CPC H04L 12/00; H03K 17/00; H04W 88/00;
H04W 88/005; H04W 88/02; H04W
88/08; H04W 88/085; H04W 88/10;
H04W 88/12; H04W 88/14

See application file for complete search history.

(56) **References Cited**

U.S. PATENT DOCUMENTS

D287,127 S *	12/1986	Yuen	379/443
D430,865 S *	9/2000	Cosley	D13/184
D598,906 S *	8/2009	Chiba	D14/240
D605,643 S *	12/2009	Landry	D14/240
D624,541 S *	9/2010	Kemery	D14/240
D713,405 S *	9/2014	Akana	D14/349
D723,480 S *	3/2015	Lee	D14/125

D738,870 S *	9/2015	Ding	D14/240
D754,110 S *	4/2016	Jung	D14/240
D771,023 S *	11/2016	Zhang	D14/240
D780,728 S *	3/2017	Shin	D14/242
D783,581 S *	4/2017	Kim	D14/240
D804,460 S *	12/2017	Li	D14/242

FOREIGN PATENT DOCUMENTS

EM 001244610-0001 * 1/2011

OTHER PUBLICATIONS

PR news wire. <URL: <https://www.prnewswire.com/news-releases/arris-expands-docsis-31-portfolio-and-launches-touchstone-development-partner-program-300332809.html>.> Sep. 22, 2016. Arris gateway devices.*

* cited by examiner

Primary Examiner — Bridget L Eland

Assistant Examiner — Lauren McVey

(74) *Attorney, Agent, or Firm* — Baker & Hostetler LLP

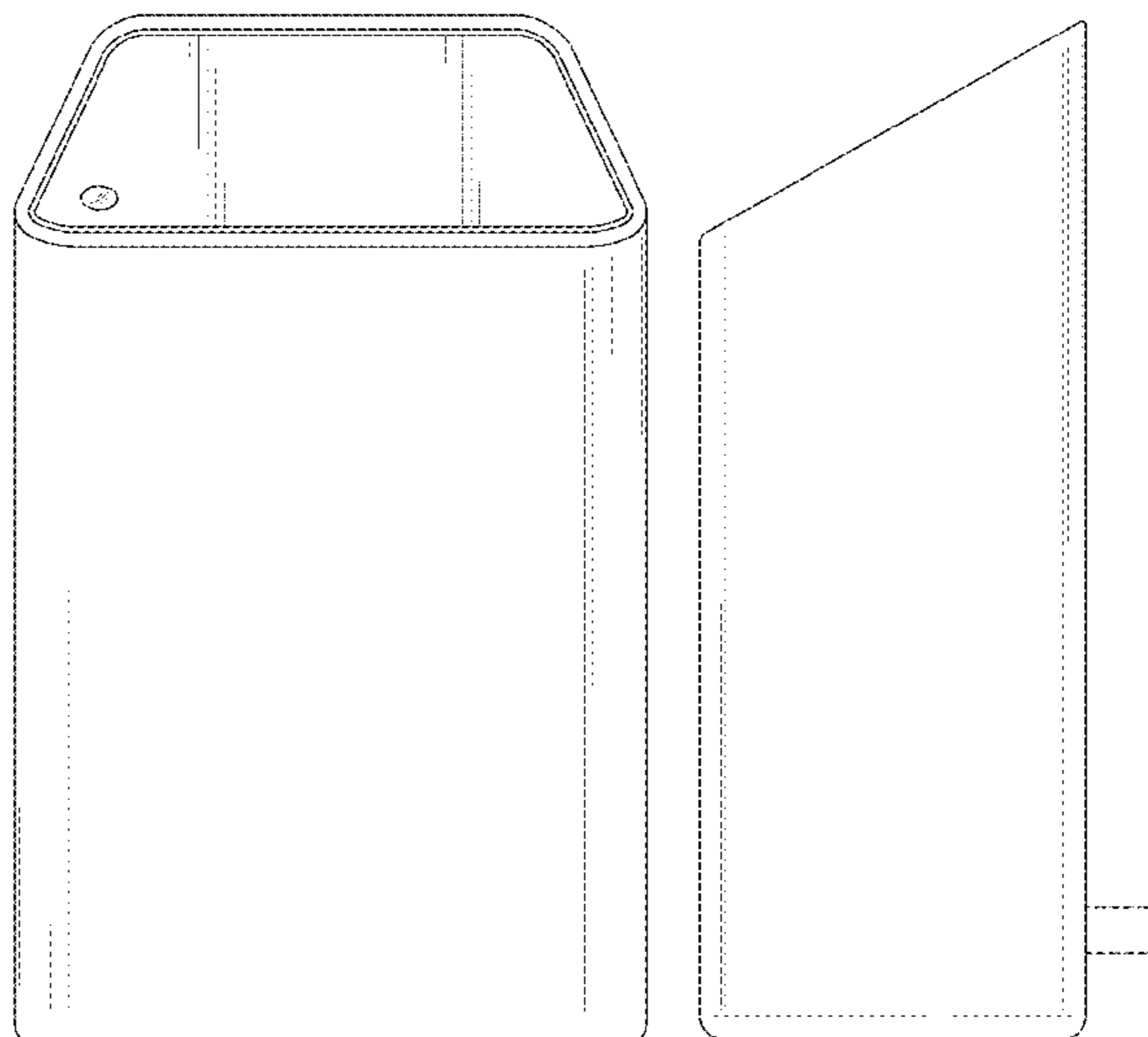
(57) **CLAIM**

The ornamental design for a gateway, as shown and described.

DESCRIPTION

FIG. 1 is a perspective view of a gateway showing our new design;
FIG. 2 is a top view of the gateway of FIG. 1;
FIG. 3 is a bottom view of the gateway of FIG. 1;
FIG. 4 is a front view of the gateway of FIG. 1;
FIG. 5 is a rear view of the gateway of FIG. 1;
FIG. 6 is a left side view of the gateway of FIG. 1; and,
FIG. 7 is a right side view of the gateway of FIG. 1.
The broken lines are directed to environment and are for illustrative purposes only; the broken lines form no part of the claimed design.

1 Claim, 4 Drawing Sheets



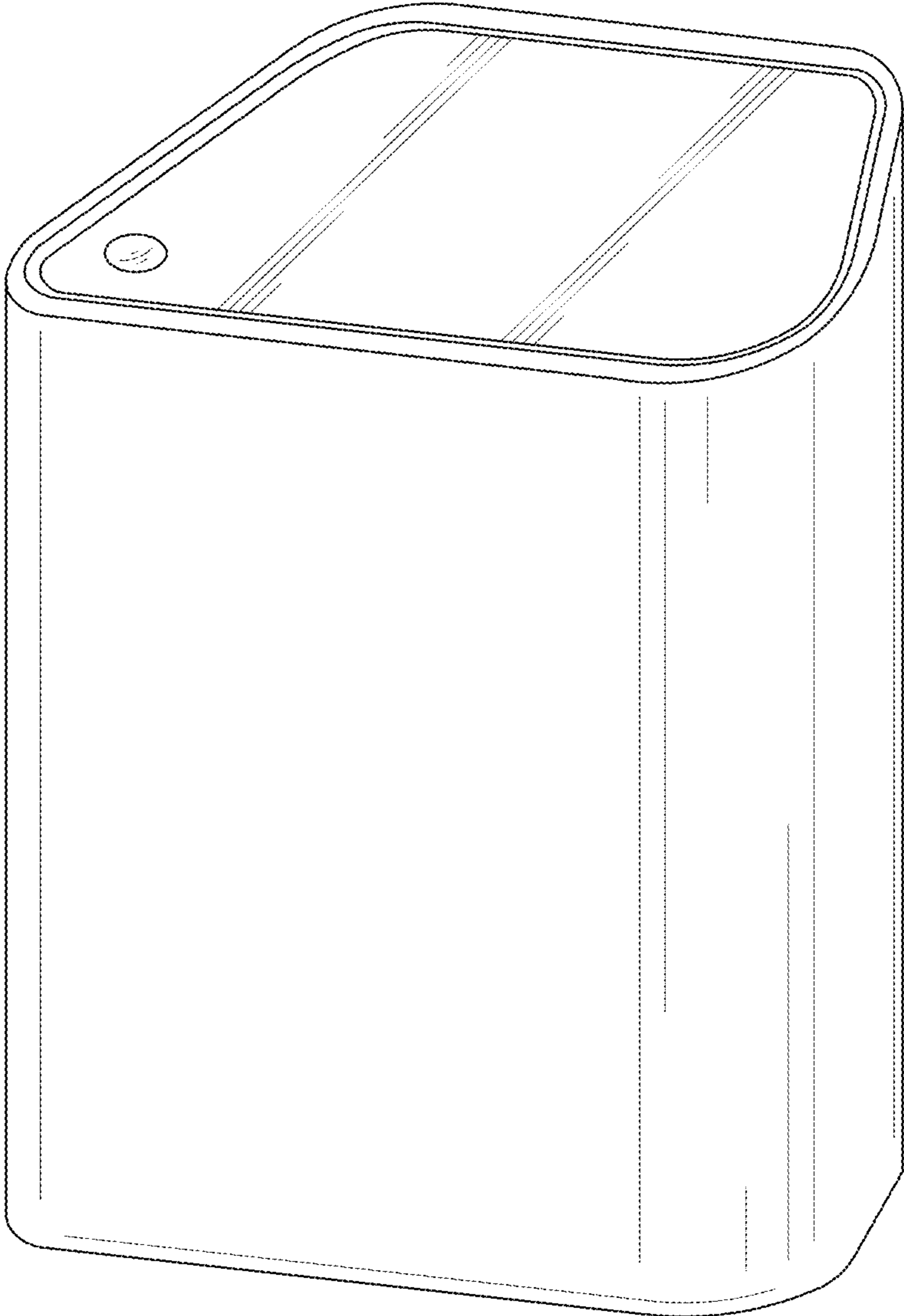


FIG. 1

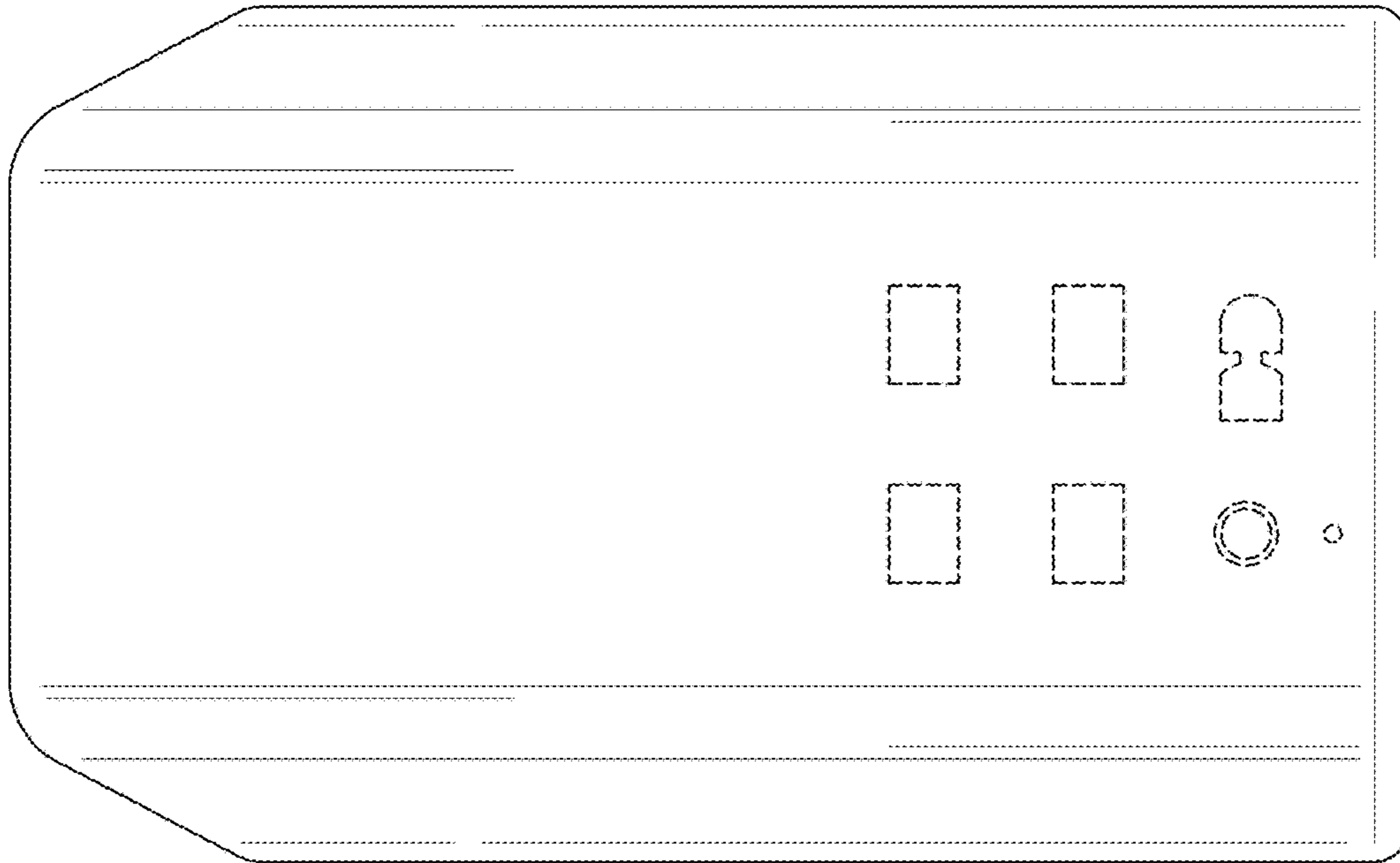


FIG. 3

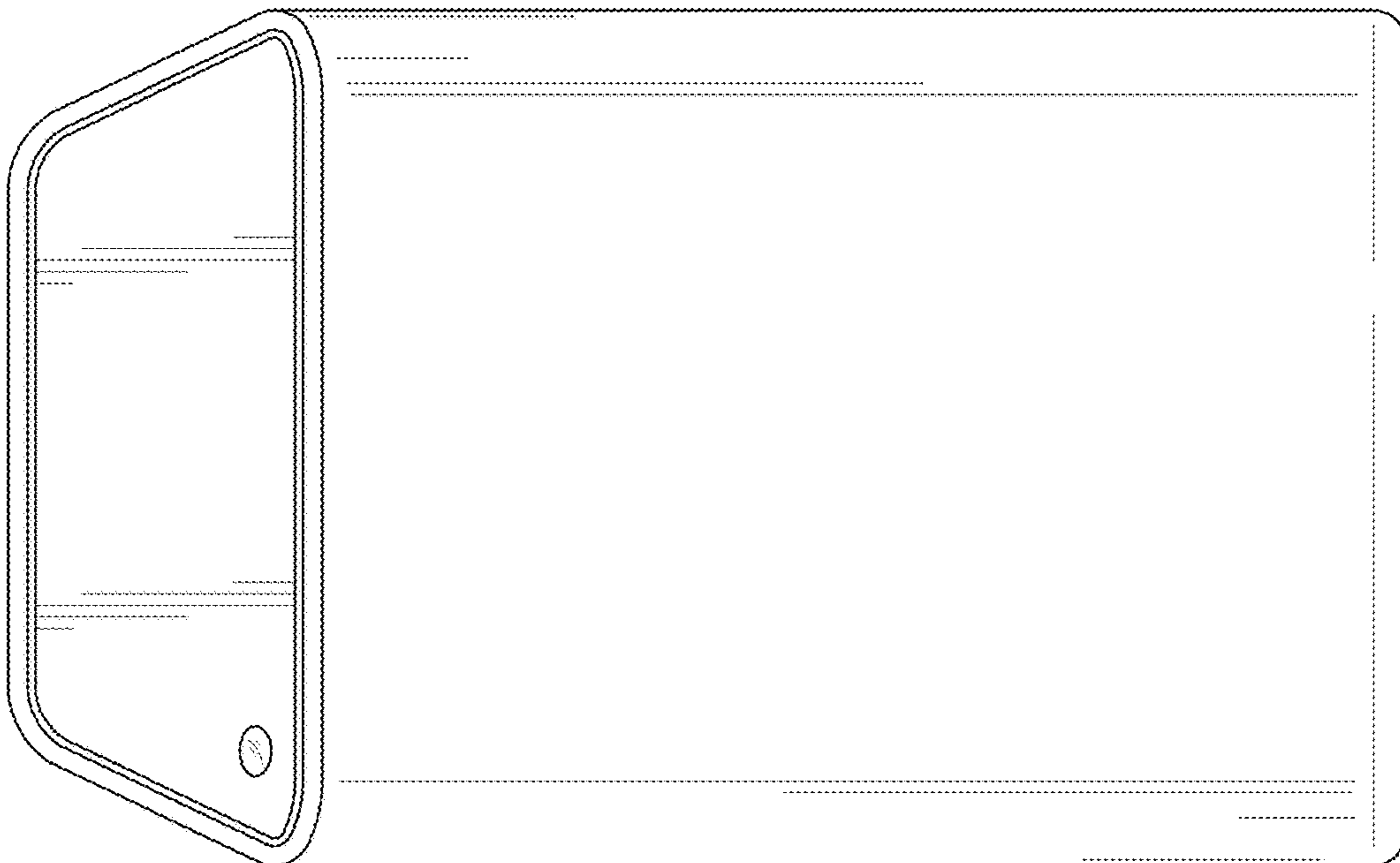


FIG. 2

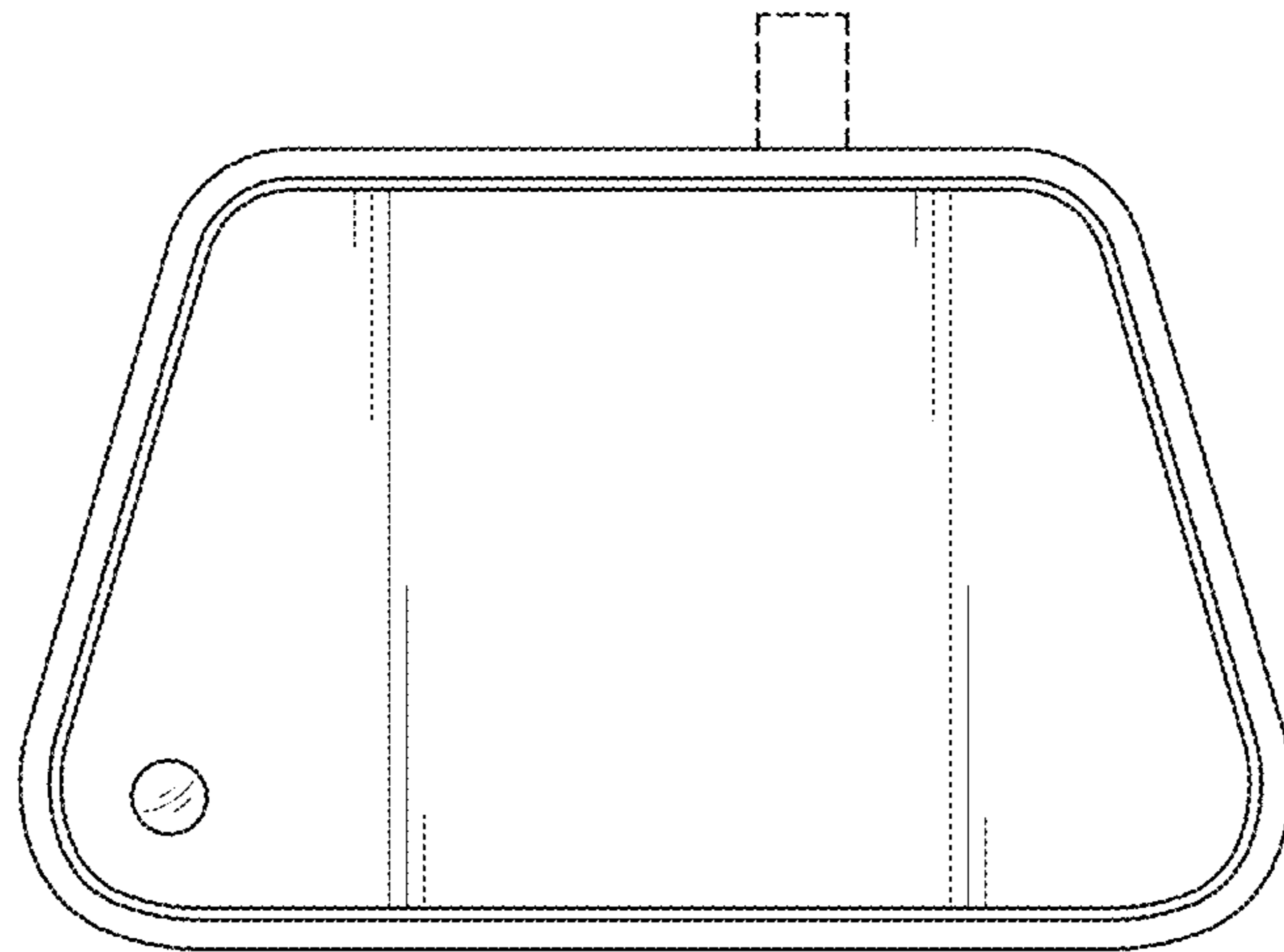


FIG. 4

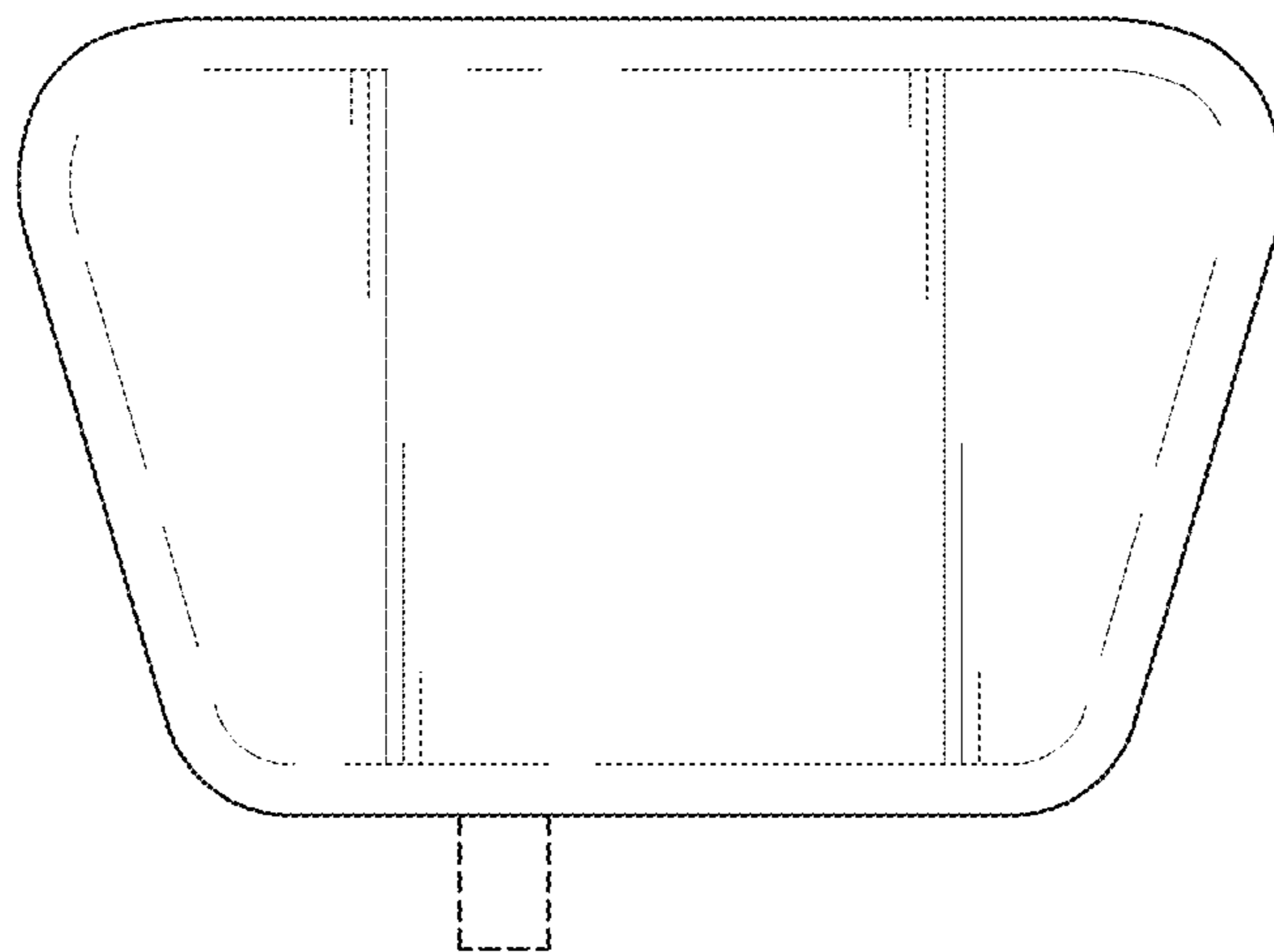


FIG. 5

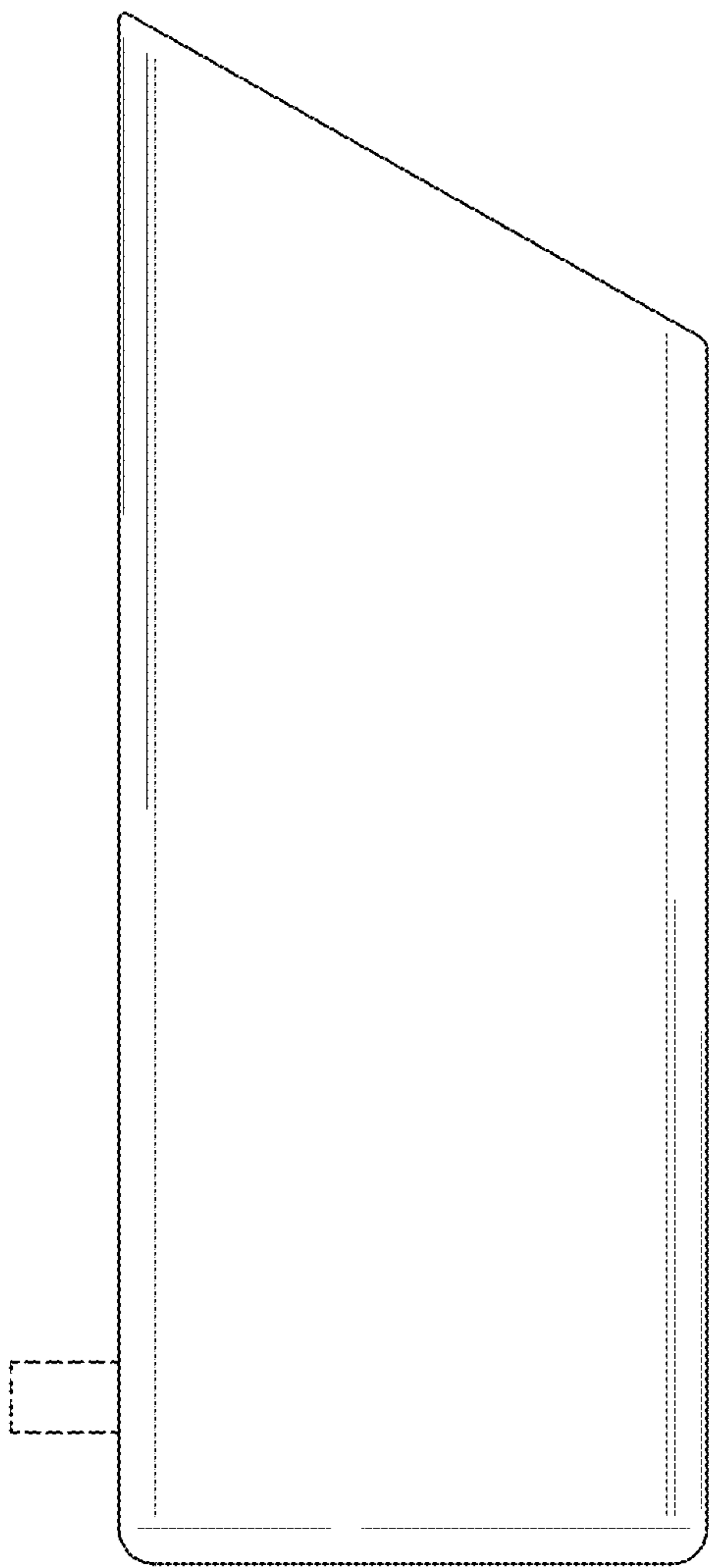


FIG. 6

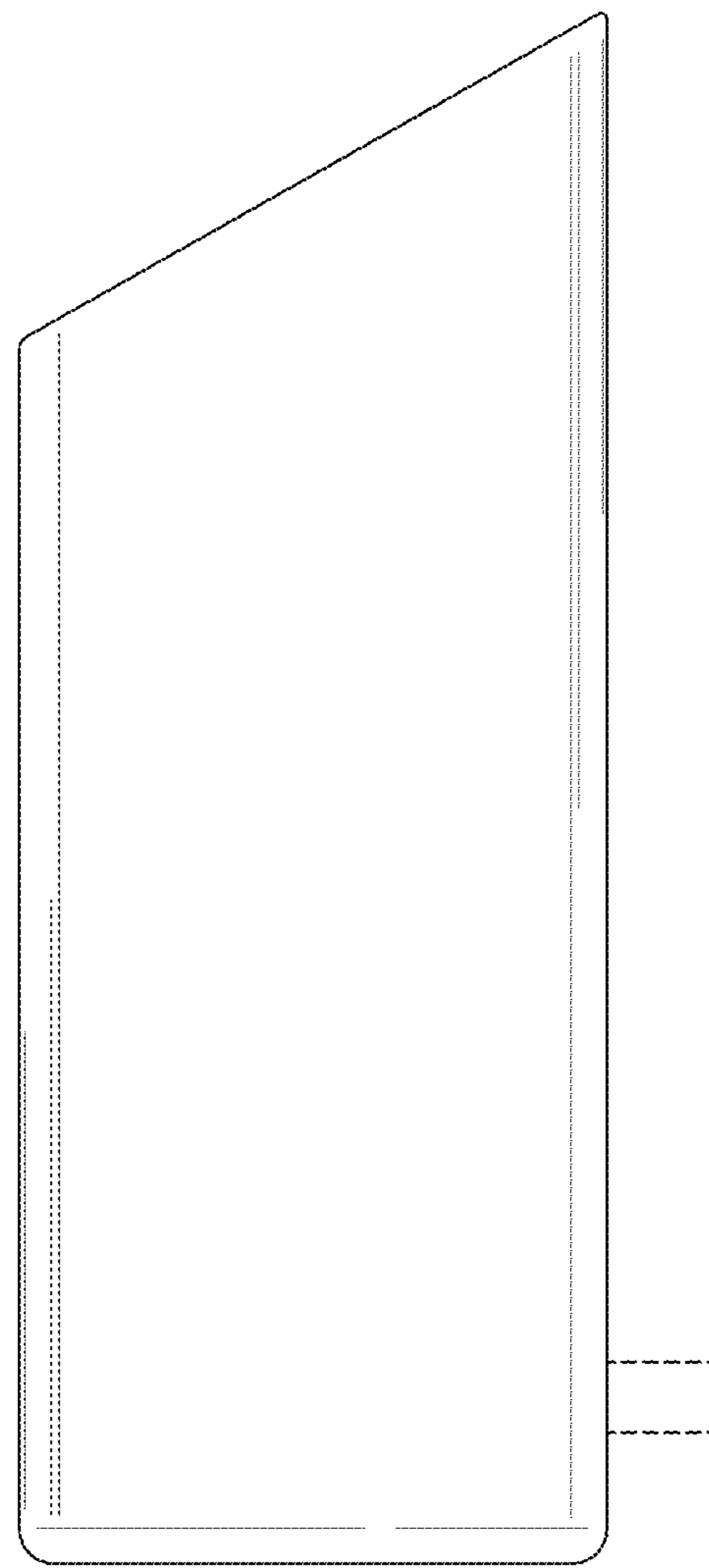


FIG. 7