



US00D831012S

(12) **United States Design Patent**
Kim et al.

(10) **Patent No.: US D831,012 S**
(45) **Date of Patent: ** Oct. 16, 2018**

(54) **STAND FOR TELEVISION RECEIVER**

(56) **References Cited**

(71) Applicant: **LG ELECTRONICS INC.**, Seoul (KR)

U.S. PATENT DOCUMENTS

(72) Inventors: **Younsoo Kim**, Seoul (KR); **Yooseok Kim**, Seoul (KR); **Hyojin Won**, Seoul (KR); **Byunglok Jeon**, Seoul (KR)

D398,316 S * 9/1998 Feldman D14/239
D425,070 S * 5/2000 Johnson D14/239
D438,256 S * 2/2001 Timmermans D20/10
(Continued)

(73) Assignee: **LG ELECTRONICS INC.**, Seoul (KR)

FOREIGN PATENT DOCUMENTS

JP D1606125 * 5/2018

(**) Term: **15 Years**

OTHER PUBLICATIONS

(21) Appl. No.: **35/503,991**

TV floor stand, announced 2017 [online], [retrieved Jul. 16, 2018]. Available from Internet, URL: <<https://www.pinterest.com/fitueyes0539/tv-floor-stand/>> (Year: 2017).*

(22) Filed: **May 16, 2017**

(Continued)

(80) **Hague Agreement Data**

Int. Filing Date: **May 16, 2017**

Int. Reg. No.: **DM/096584**

Int. Reg. Date: **May 16, 2017**

Int. Reg. Pub. Date: **Nov. 17, 2017**

Primary Examiner — Barbara Fox
Assistant Examiner — Dana K Weiland
(74) *Attorney, Agent, or Firm* — Birch, Stewart, Kolasch & Birch, LLP

(30) **Foreign Application Priority Data**

Apr. 24, 2017 (KR) 30-2017-0018863

(51) **LOC (11) Cl.** **14-03**

(52) **U.S. Cl.**
USPC **D14/239**

(58) **Field of Classification Search**

USPC D14/238, 239, 125–134, 371, 374–377, D14/440, 451, 336, 251–253, 447, 434, D14/432, 439, 457, 142, 217, 209.1; D6/300, 672, 407, 567; D10/26; D21/329, 515; D8/349; D12/223, 420; D20/10, 19, 39

CPC F16M 11/00; F16M 11/04; F16M 11/043; F16M 11/10; F16M 13/00; H04M 1/04; H04M 1/06; G06F 1/1601; G06F 1/1643;

(Continued)

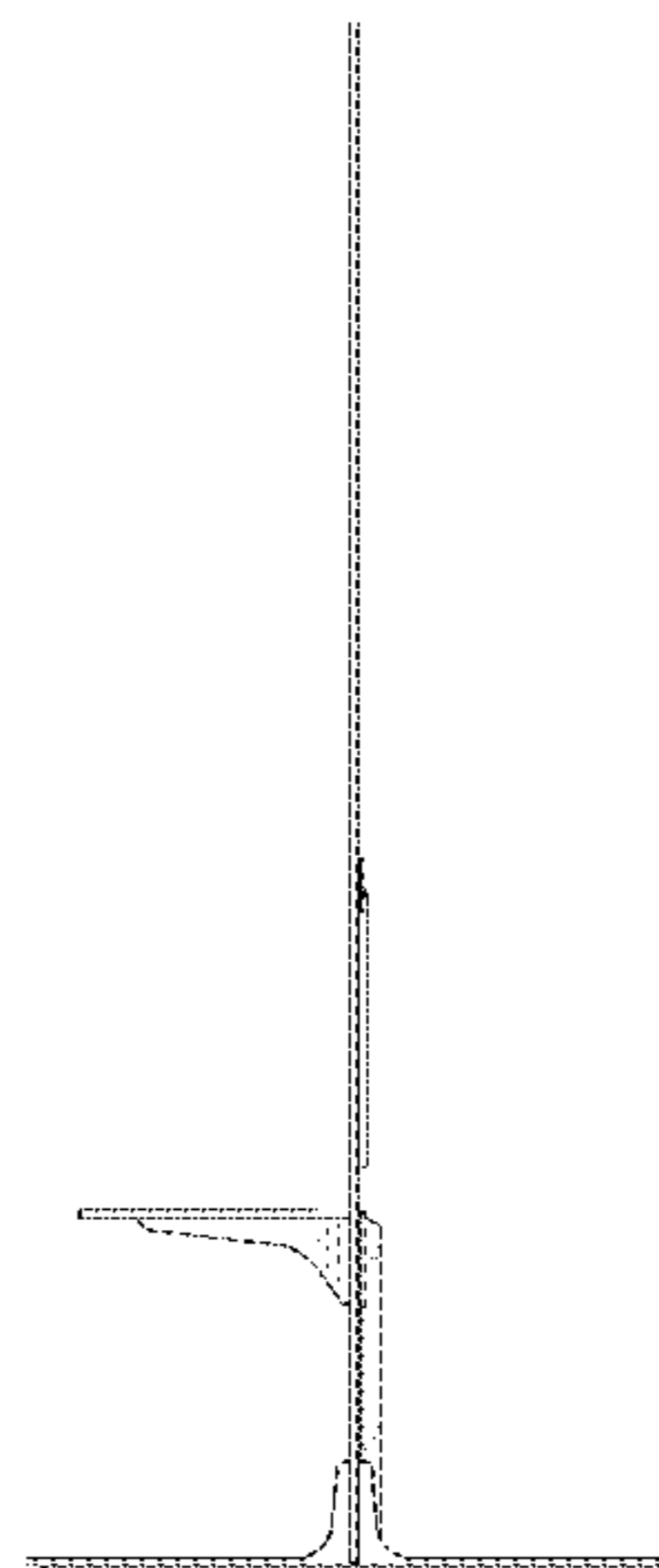
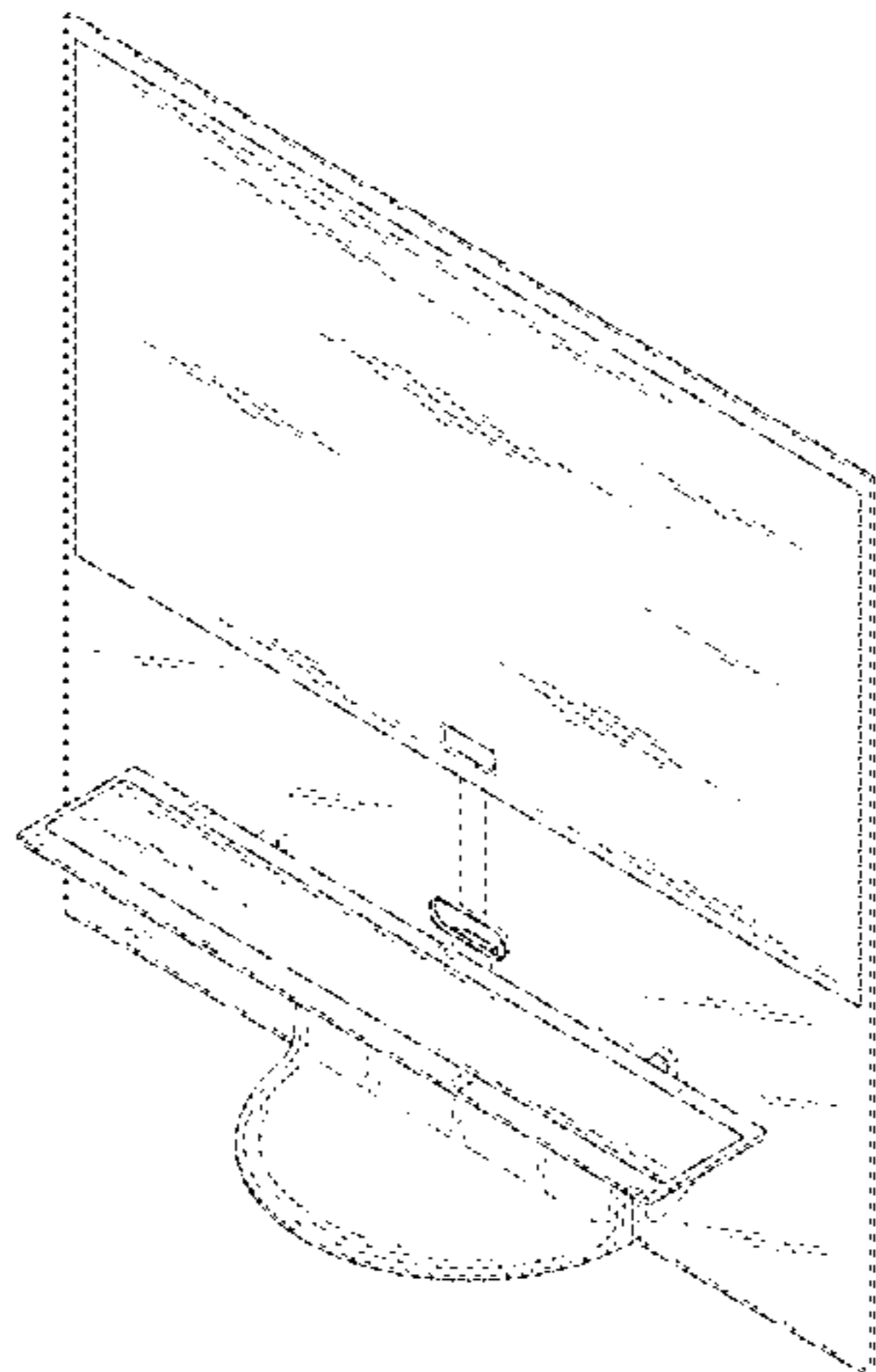
(57) **CLAIM**

The ornamental design for a stand for television receiver, as shown and described.

DESCRIPTION

1. Stand for television receiver
1.1 is a front perspective view of a stand for TV receiver showing our new design;
1.2 is the front view thereof;
1.3 is the back view thereof;
1.4 is the left side view thereof;
1.5 is the right side view thereof;
1.6 is the top view thereof;
1.7 is the bottom view thereof;
1.8 is another front perspective view showing the stand for television receiver in use.

(Continued)



The broken lines shown in reproduction 1.8 are directed toward environment and form no part of the claimed design.

1 Claim, 8 Drawing Sheets

(58) **Field of Classification Search**

CPC H05K 5/0004; H05K 5/0017; H05K 5/02;
H05K 5/0217

See application file for complete search history.

(56) **References Cited**

U.S. PATENT DOCUMENTS

D468,134 S * 1/2003 Oikawa D6/682.2
D484,332 S * 12/2003 Niitsu D6/675.1
D539,273 S * 3/2007 Fujii D14/239
D566,987 S * 4/2008 Harrison D6/656.17
D567,535 S * 4/2008 Hentschker D6/675
D661,124 S * 6/2012 Curbbun D20/10
D679,268 S * 4/2013 Won D14/239

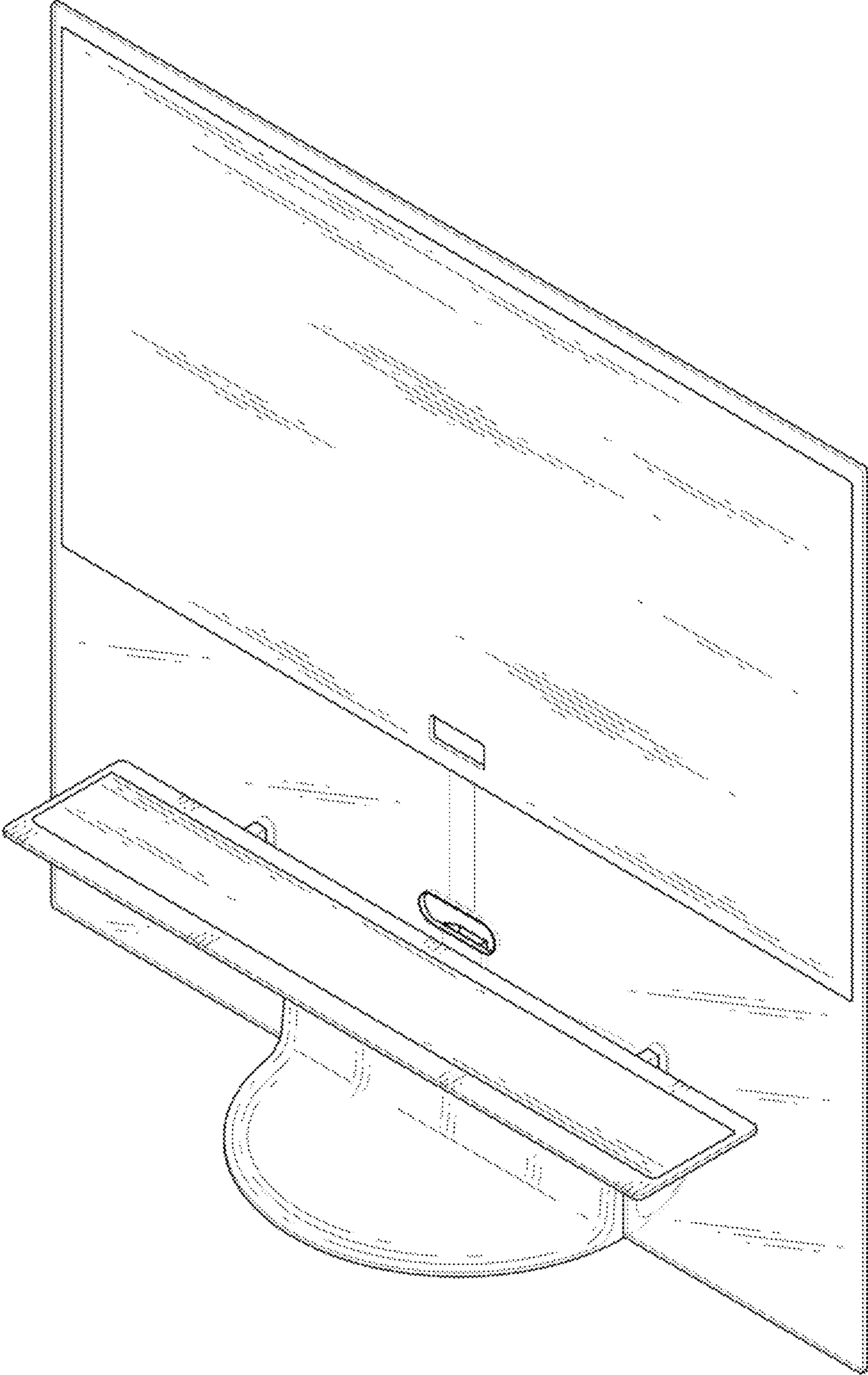
D699,229 S * 2/2014 Lozano D14/239
D707,209 S * 6/2014 Ranaletta D14/239
D709,952 S * 7/2014 Logan D20/10
D722,794 S * 2/2015 Luong D20/19
D742,863 S * 11/2015 Aoyagi D14/239
D768,119 S * 10/2016 Kim D14/239
D769,249 S * 10/2016 King D14/451
D770,203 S * 11/2016 Thaler D6/673
D779,240 S * 2/2017 Tio D6/675
D783,596 S * 4/2017 Payne D14/307
D788,747 S * 6/2017 Kemp D14/239
D790,260 S * 6/2017 Tio D6/675
D800,135 S * 10/2017 Ramey, III D14/451
2018/0109661 A1 * 4/2018 Palen H04M 1/04

OTHER PUBLICATIONS

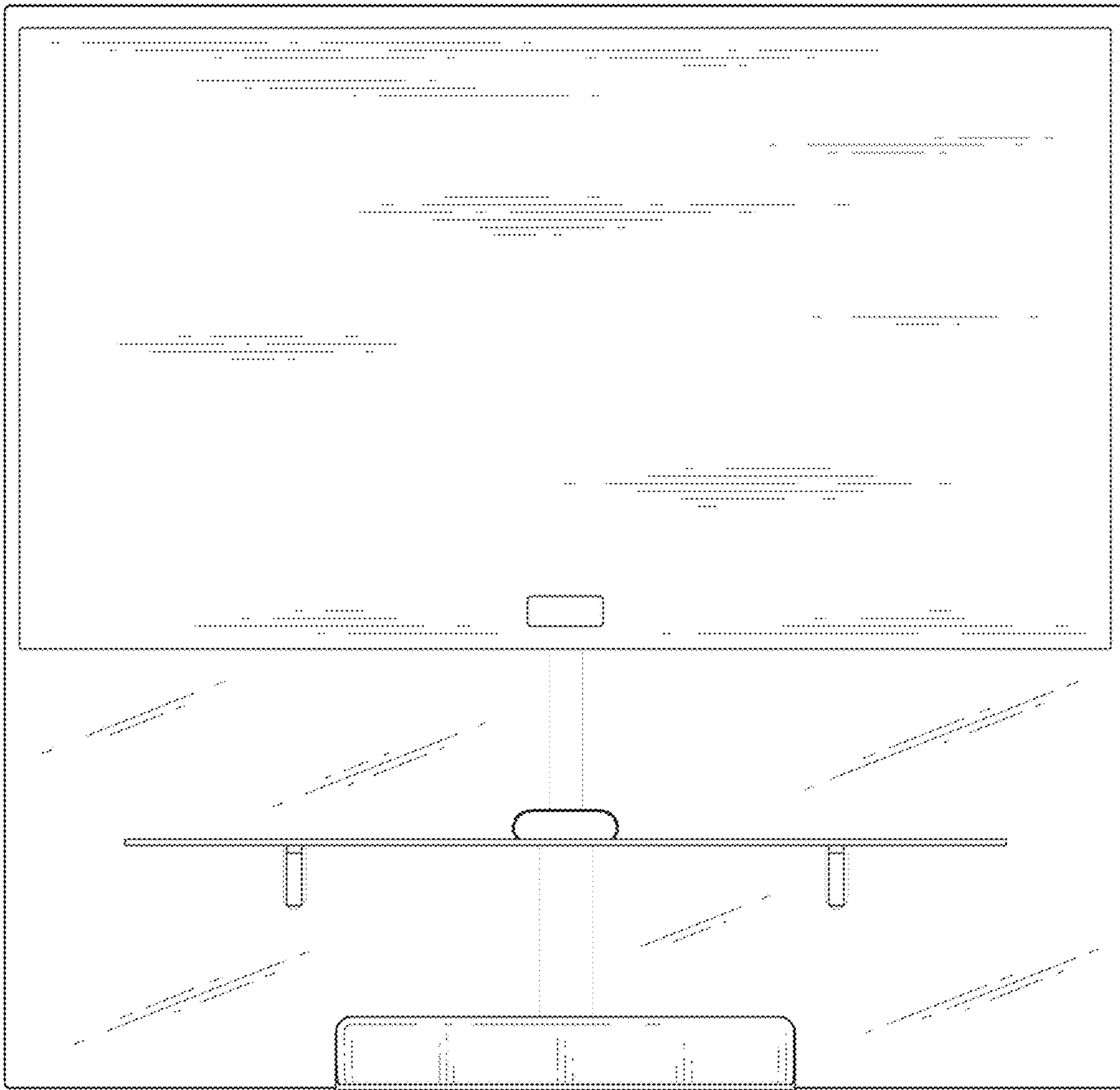
Innovative Winston Quad 2/2 Freestanding Sit-Stand Workstation, announced 2018 [online], [retrieved Jul. 16, 2018]. Available from Internet, URL: <<https://www.ergobrothers.com/products/innovative-winston-quad-2-2-freestanding-sit-stand-workstation>> (Year: 2018).*

* cited by examiner

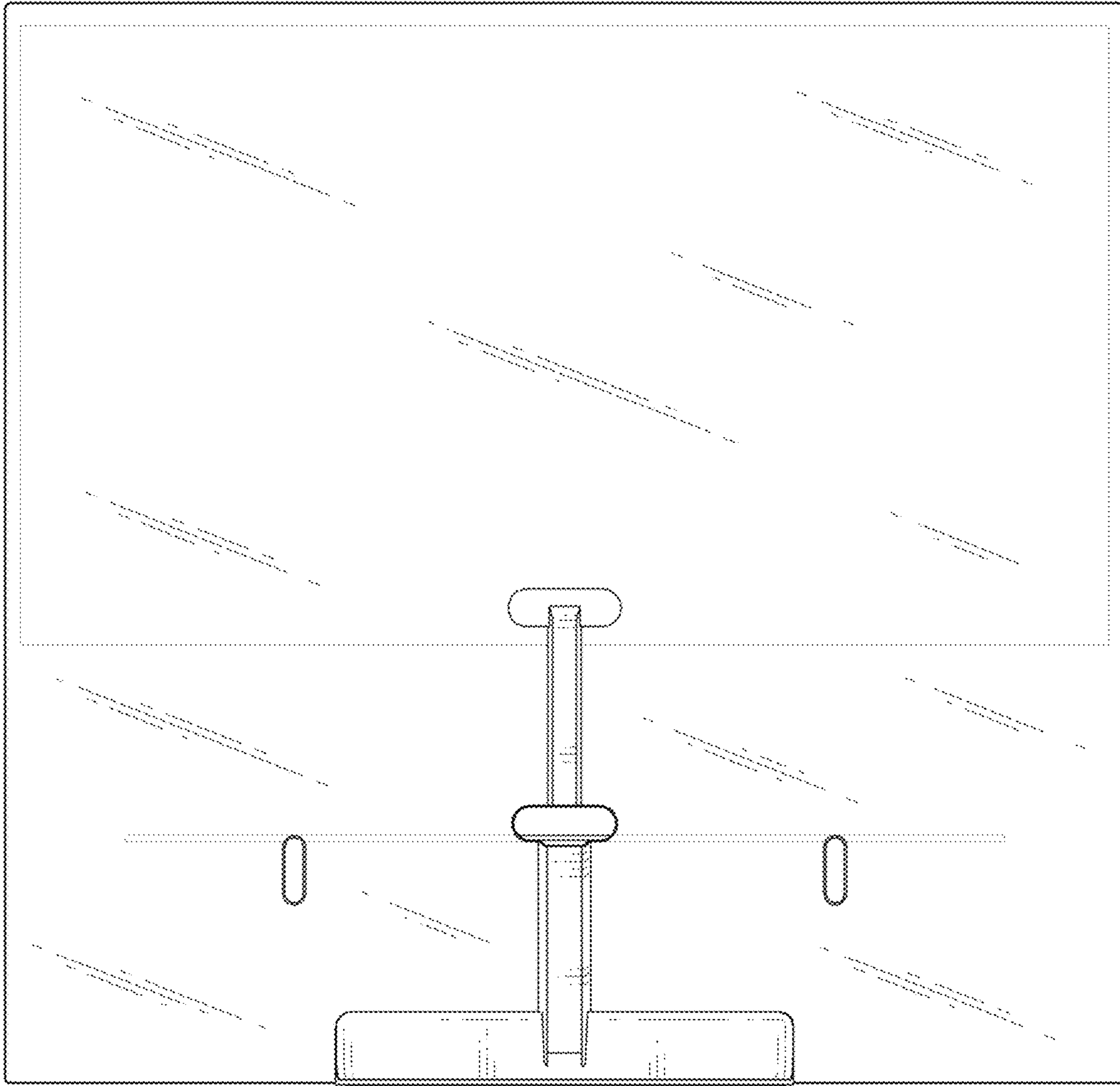
1.1



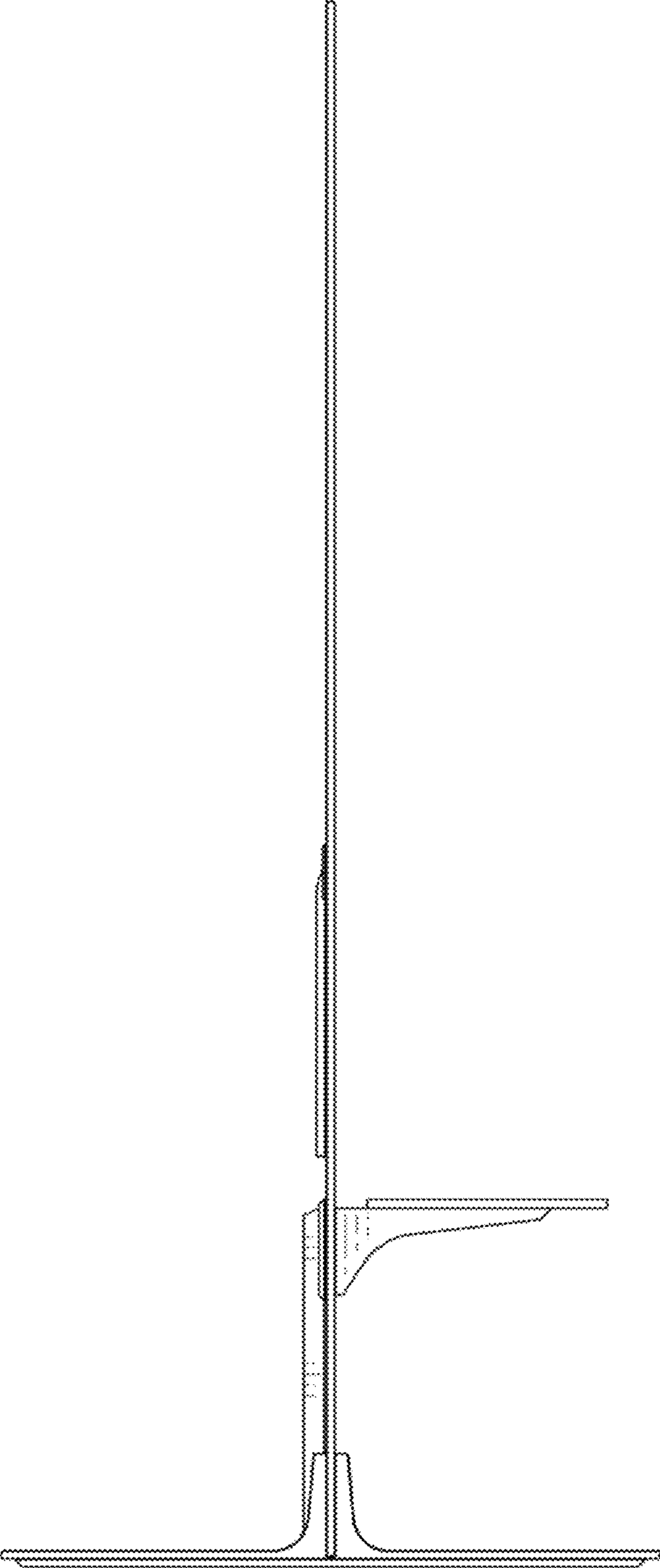
1.2



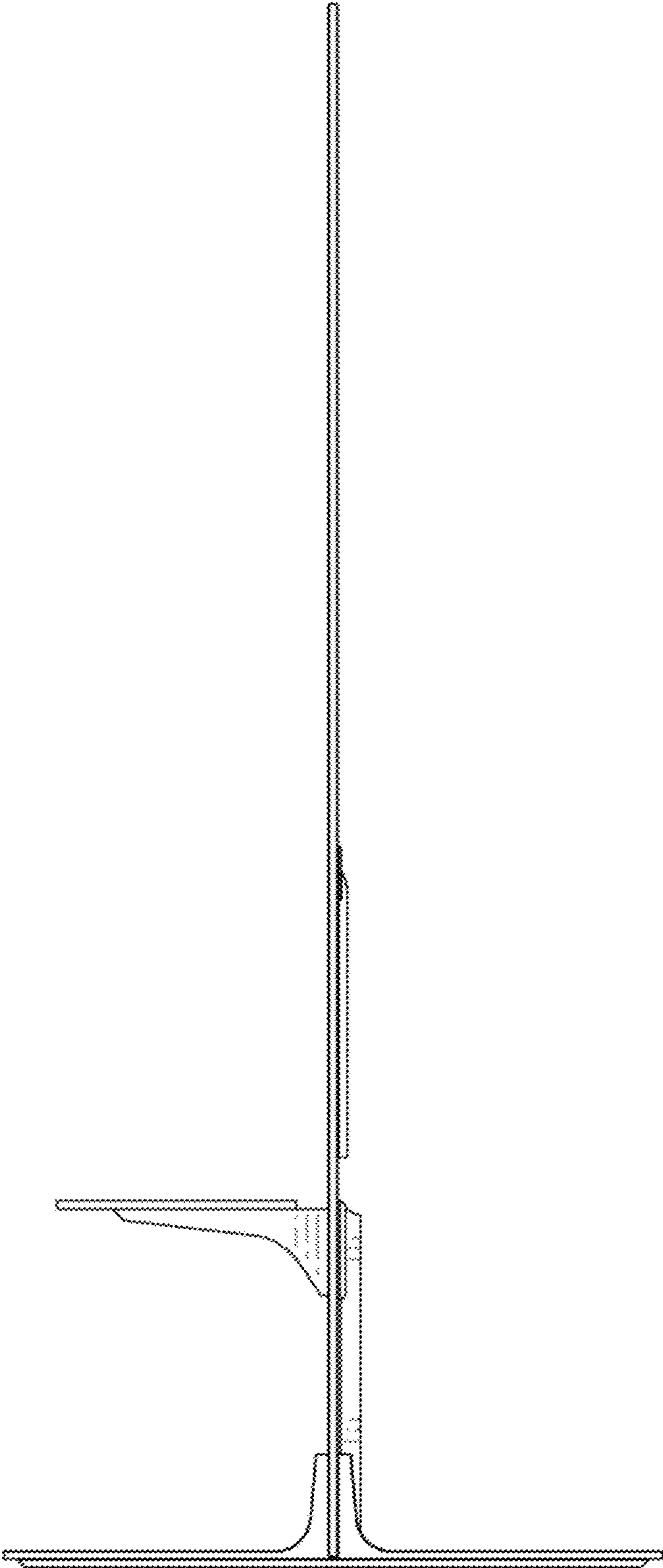
1.3



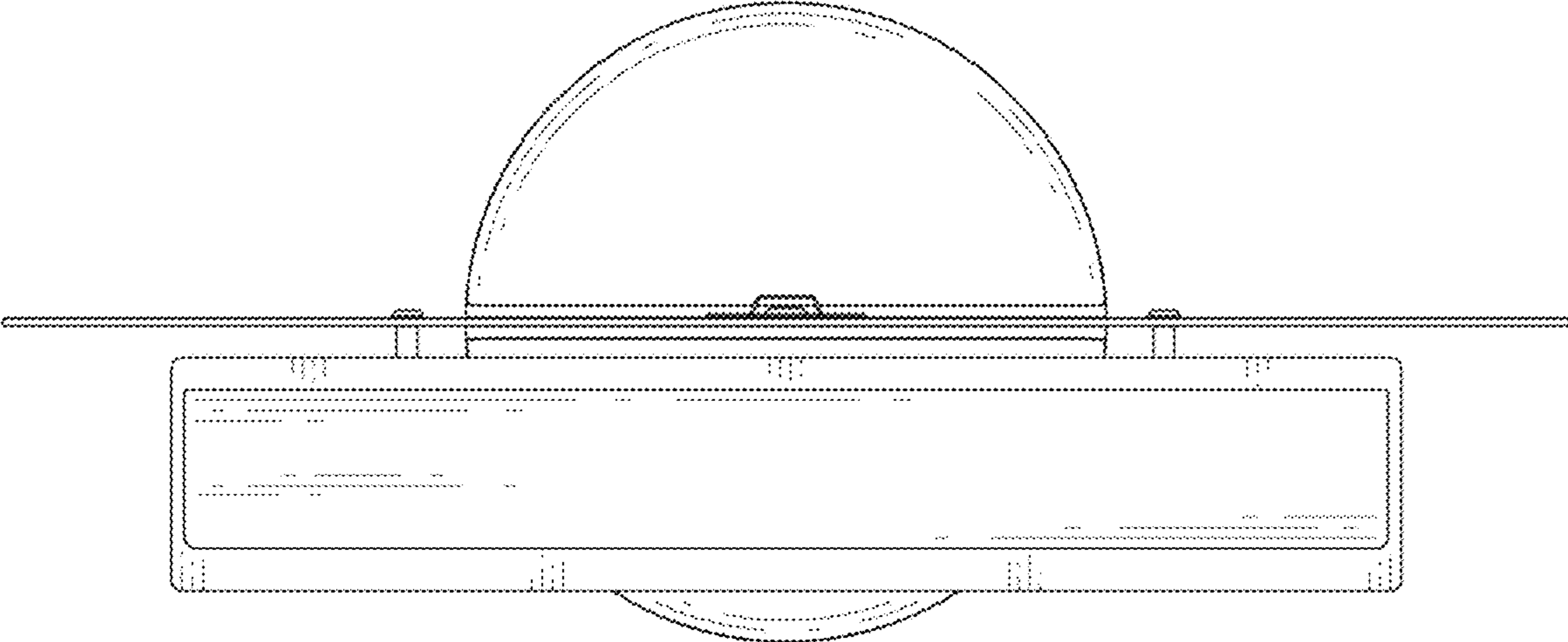
1.4



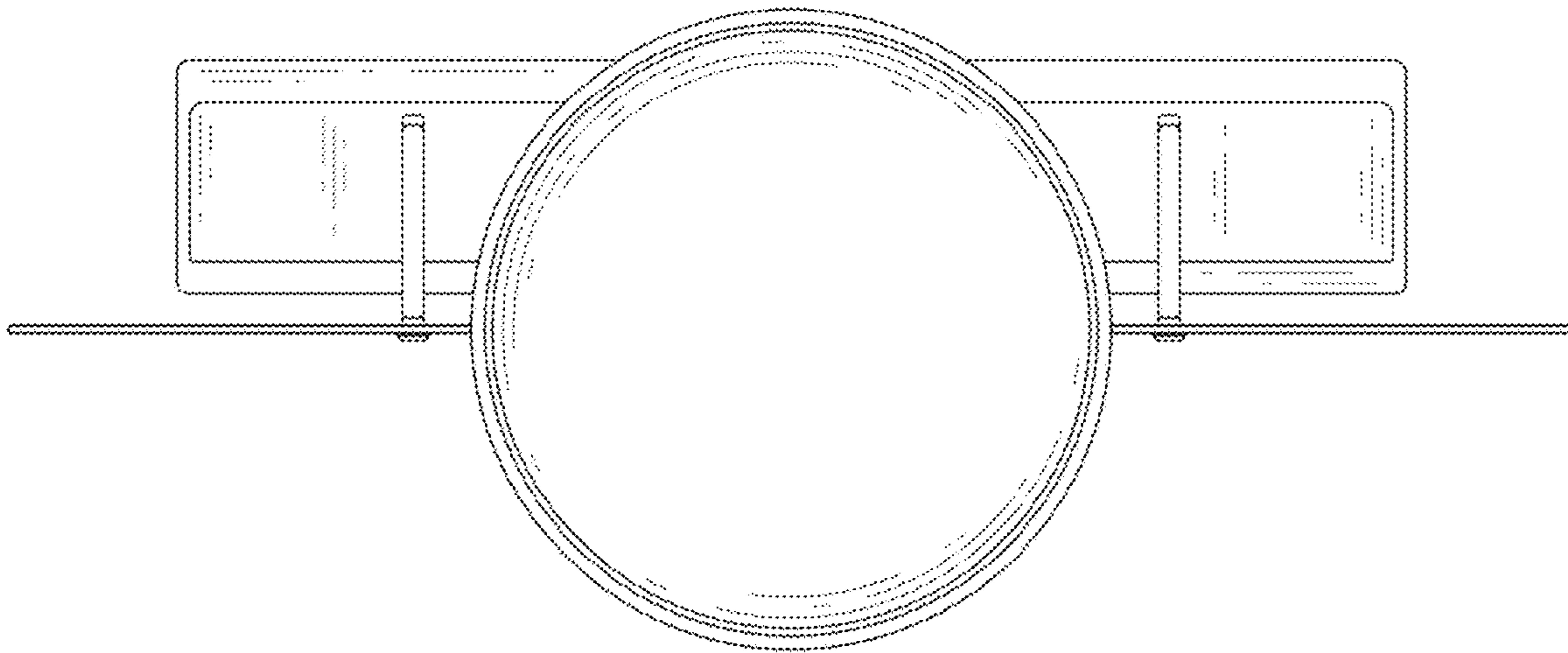
1.5



1.6



1.7



1.8

