



US00D831009S

(12) **United States Design Patent** (10) **Patent No.:** **US D831,009 S**
Horn (45) **Date of Patent:** **** Oct. 16, 2018**

(54) **RADIO MODULE**
(71) Applicant: **Gemalto M2M GmbH**, Berlin (DE)
(72) Inventor: **Annette Horn**, Berlin (DE)
(73) Assignee: **GEMALTO M2M GMBH**, Berlin (DE)
(**) Term: **15 Years**

D668,639 S * 10/2012 Matsumoto D14/230
D668,640 S * 10/2012 Matsumoto D14/230
D699,201 S * 2/2014 Petsch D13/182
D704,155 S * 5/2014 Chang D13/182
D730,304 S * 5/2015 Matsumoto D13/182
D732,487 S * 6/2015 Lai D13/182
D732,488 S * 6/2015 Lai D13/182
D733,104 S * 6/2015 Yang D14/230
D738,867 S * 9/2015 Zuniga D14/230
D757,693 S * 5/2016 Sudo D14/230

(Continued)

(21) Appl. No.: **29/567,639**
(22) Filed: **Jun. 10, 2016**

(30) **Foreign Application Priority Data**

Dec. 11, 2015 (EM) 00290534900010008

(51) **LOC (11) Cl.** **14-03**

(52) **U.S. Cl.**
USPC **D14/230**; D13/182; D14/240

(58) **Field of Classification Search**
USPC D14/356, 357, 358, 361, 362, 365, 367, D14/370, 388, 432, 434, 203.1, 203.6, D14/204, 205, 216, 240, 242, 299, 125, D14/129, 130, 140, 155, 168, 188, 195, D14/300, 302, 314, 348, 351, 496, 137; D13/182; D10/104.1, 106.9
CPC H01Q 1/241; H01Q 1/243; H04B 1/38; H04W 88/02; H04W 88/06; H04M 1/0254; H04M 1/0256; H04L 9/0877
See application file for complete search history.

(56) **References Cited**

U.S. PATENT DOCUMENTS

D533,546 S * 12/2006 Iizuka D14/230
D582,400 S * 12/2008 Takisawa D14/230
D605,642 S * 12/2009 Yakubo D14/230
D645,029 S * 9/2011 Yakubo D14/230
D655,697 S * 3/2012 Petsch D13/182
D660,828 S * 5/2012 Petsch D14/240
D668,638 S * 10/2012 Matsumoto D14/230

OTHER PUBLICATIONS

Gemalto_datasheet_cinterion_pls8_lte. ptelectronics.ru (online) 4 pgs. 2013 [retrieved on Jul. 21, 2017] https://ptelectronics.ru/wp-content/uploads/gemalto_datasheet_cinterion_pls8_lte.pdf*

(Continued)

Primary Examiner — Susan Bennett Hattan
Assistant Examiner — Marie D. Fast Horse
(74) *Attorney, Agent, or Firm* — Seed IP Law Group LLP

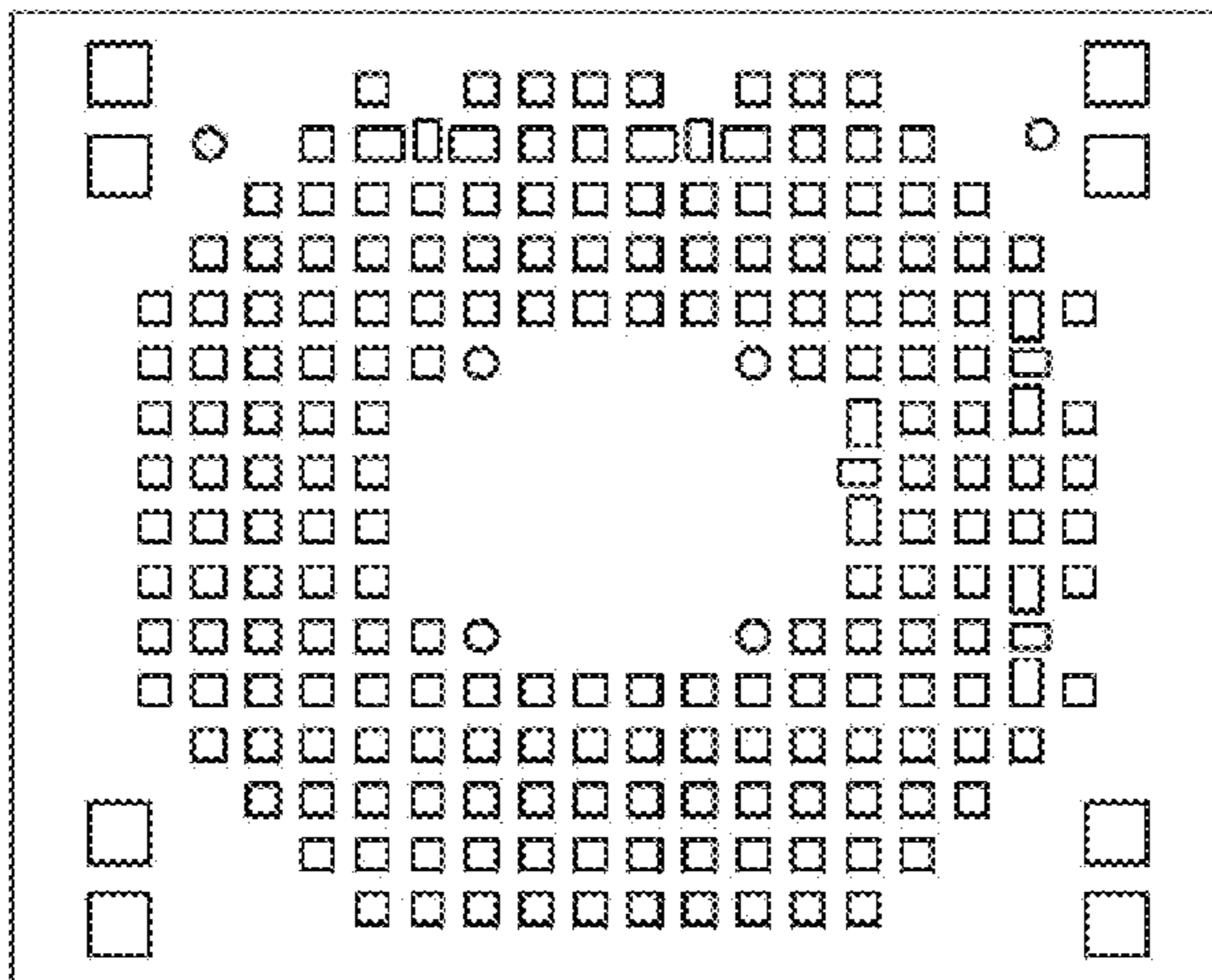
(57) **CLAIM**

The ornamental design for a radio module, substantially as shown and described.

DESCRIPTION

FIG. 1 is a front elevational view of a radio module, showing a first embodiment of my new design;
FIG. 2 is a rear perspective view thereof;
FIG. 3 is a rear elevational view thereof.
FIG. 4 is a front elevational view of a radio module, showing a second embodiment of my new design;
FIG. 5 is a side elevational view thereof;
FIG. 6 is a bottom plan view thereof;
FIG. 7 is a rear perspective view thereof; and,
FIG. 8 is a rear elevational view thereof.
The broken lines in the drawings depict parts of the radio module that form no part of the claimed design.

1 Claim, 8 Drawing Sheets



(56)

References Cited

U.S. PATENT DOCUMENTS

D764,424 S * 8/2016 Matsumoto D13/182
9,432,298 B1 * 8/2016 Smith H04L 49/9057
D768,115 S * 10/2016 Kazanchian D13/182
D778,850 S * 2/2017 Matsumoto D13/182
D778,851 S * 2/2017 Matsumoto D13/182
D778,852 S * 2/2017 Matsumoto D13/182
2009/0197394 A1 * 8/2009 Parekh H01L 21/78
438/462
2011/0051375 A1 * 3/2011 Ammar H01L 23/552
361/728
2012/0142398 A1 * 6/2012 Tamaoka H01Q 1/243
455/557

OTHER PUBLICATIONS

Radio modules. (Design—© Questel). orbit.com. [online PDF] 108
pgs. Print Dates range Nov. 12, 2010 through Nov. 12, 2010
[retrieved on Jul. 21, 2017] [https://sojprd.questel.fr/export/QPTUJ214/
pdf2/063b08b2-2144-4b5a-8aef-7a979da05710-175859.pdf](https://sojprd.questel.fr/export/QPTUJ214/pdf2/063b08b2-2144-4b5a-8aef-7a979da05710-175859.pdf).*

* cited by examiner

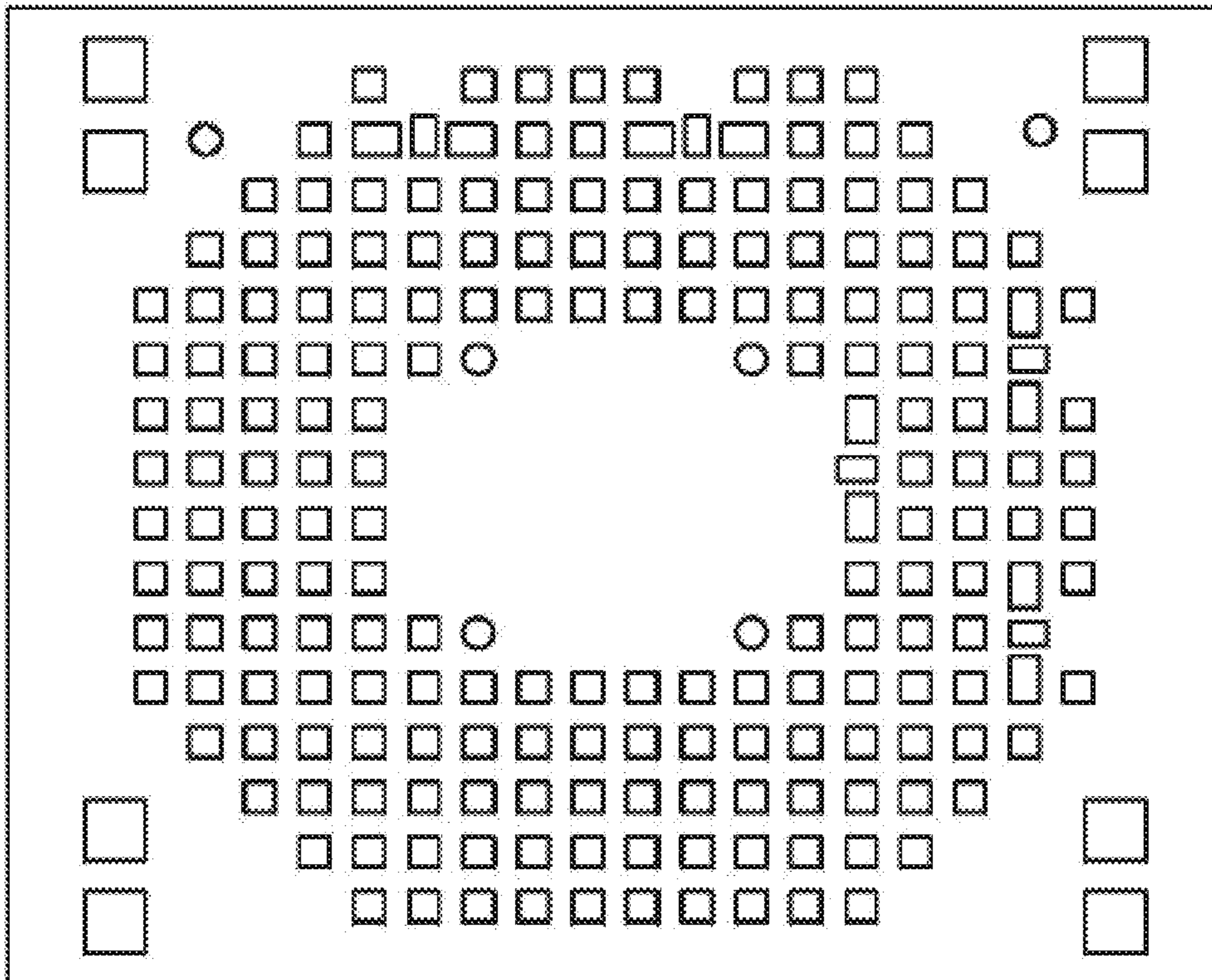


Fig. 1

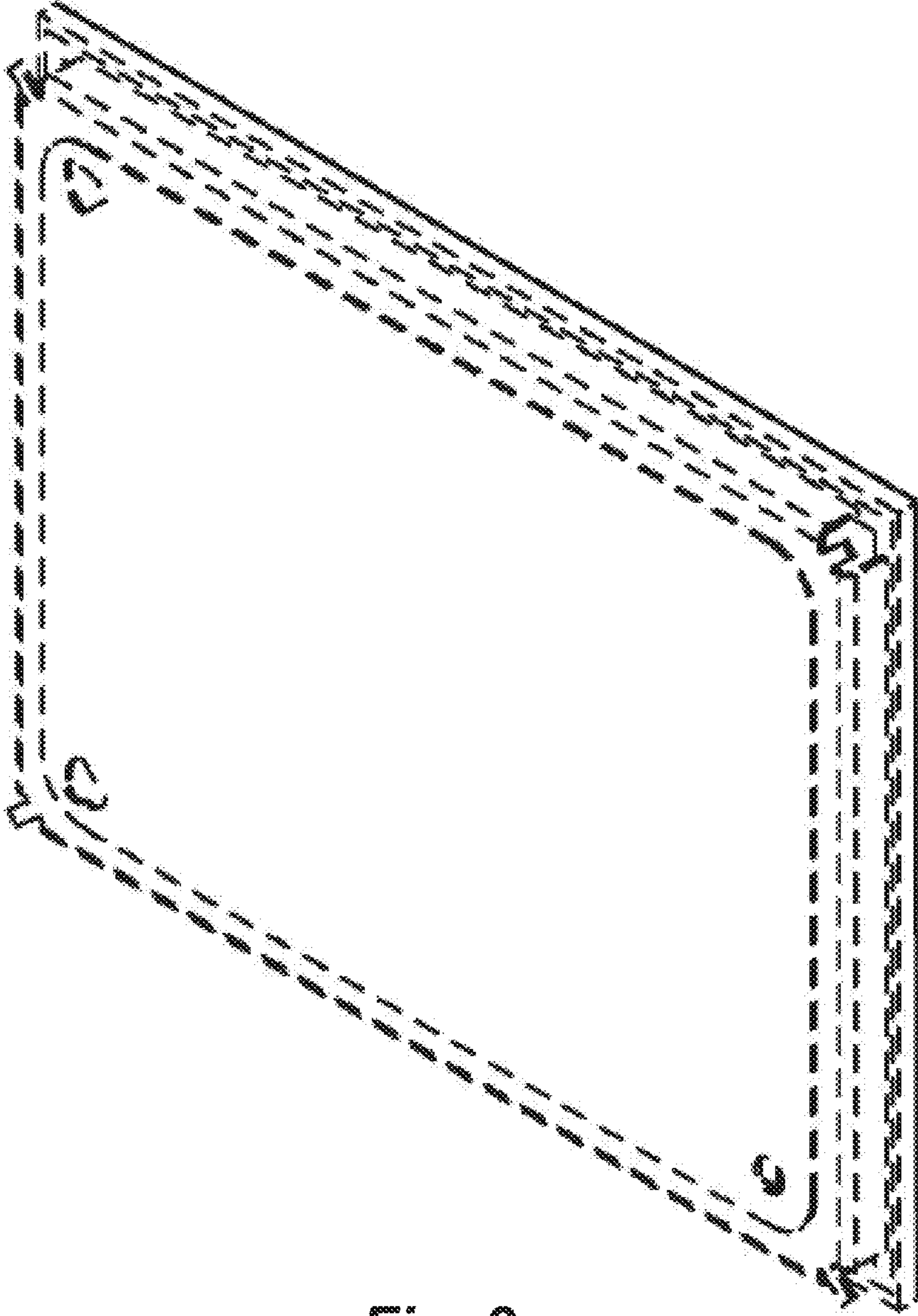


Fig. 2



Fig. 3

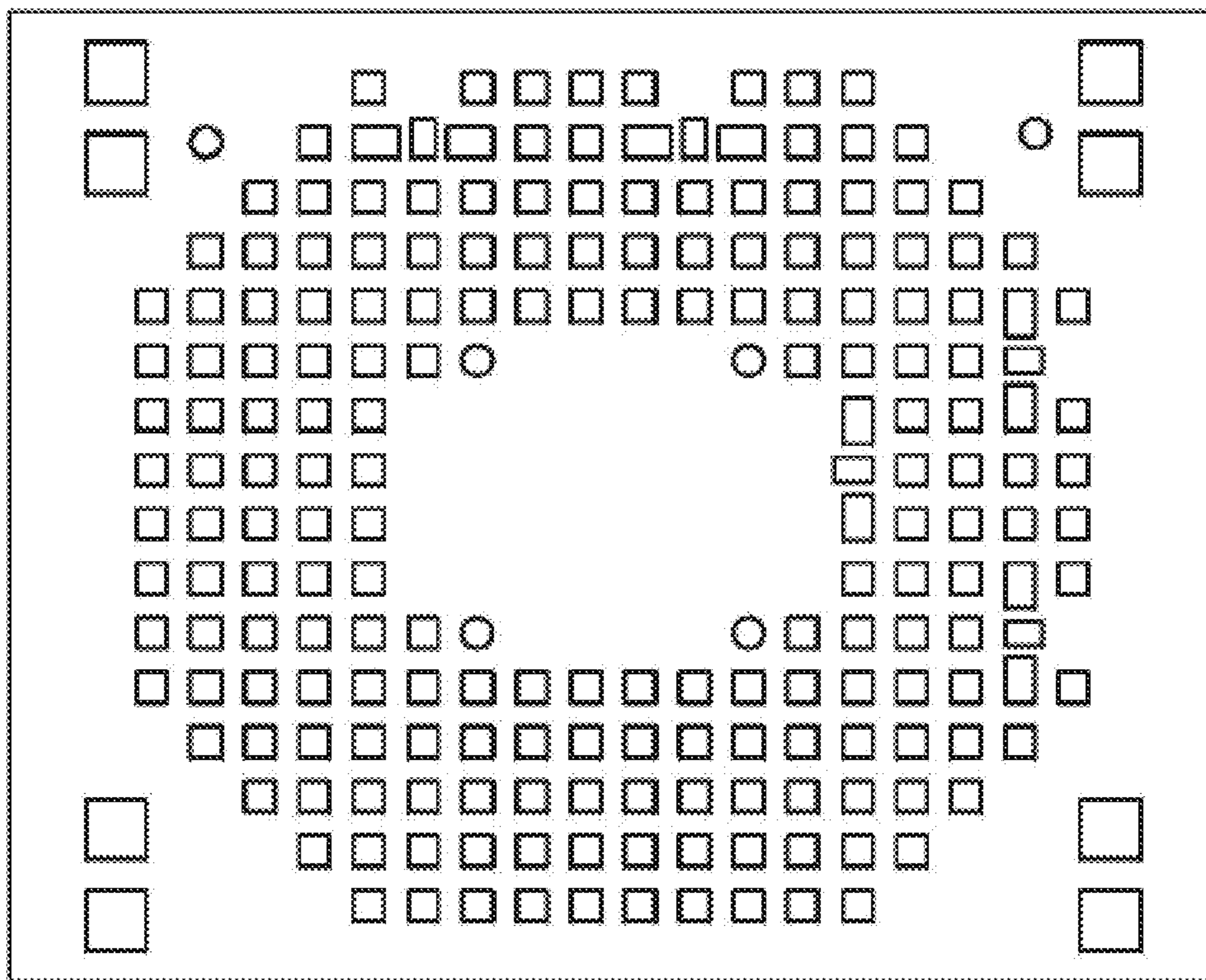


Fig. 4

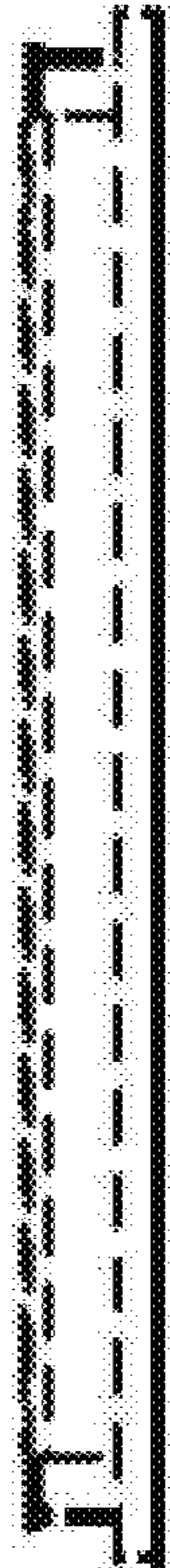


Fig. 5

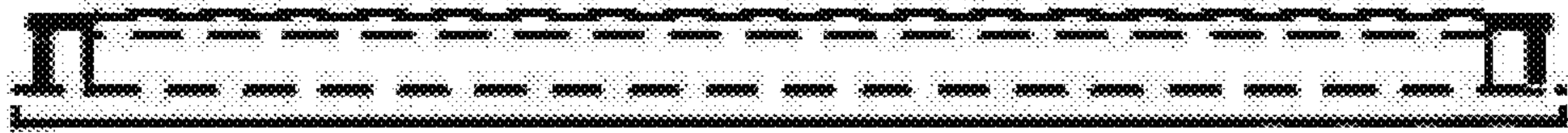


Fig. 6

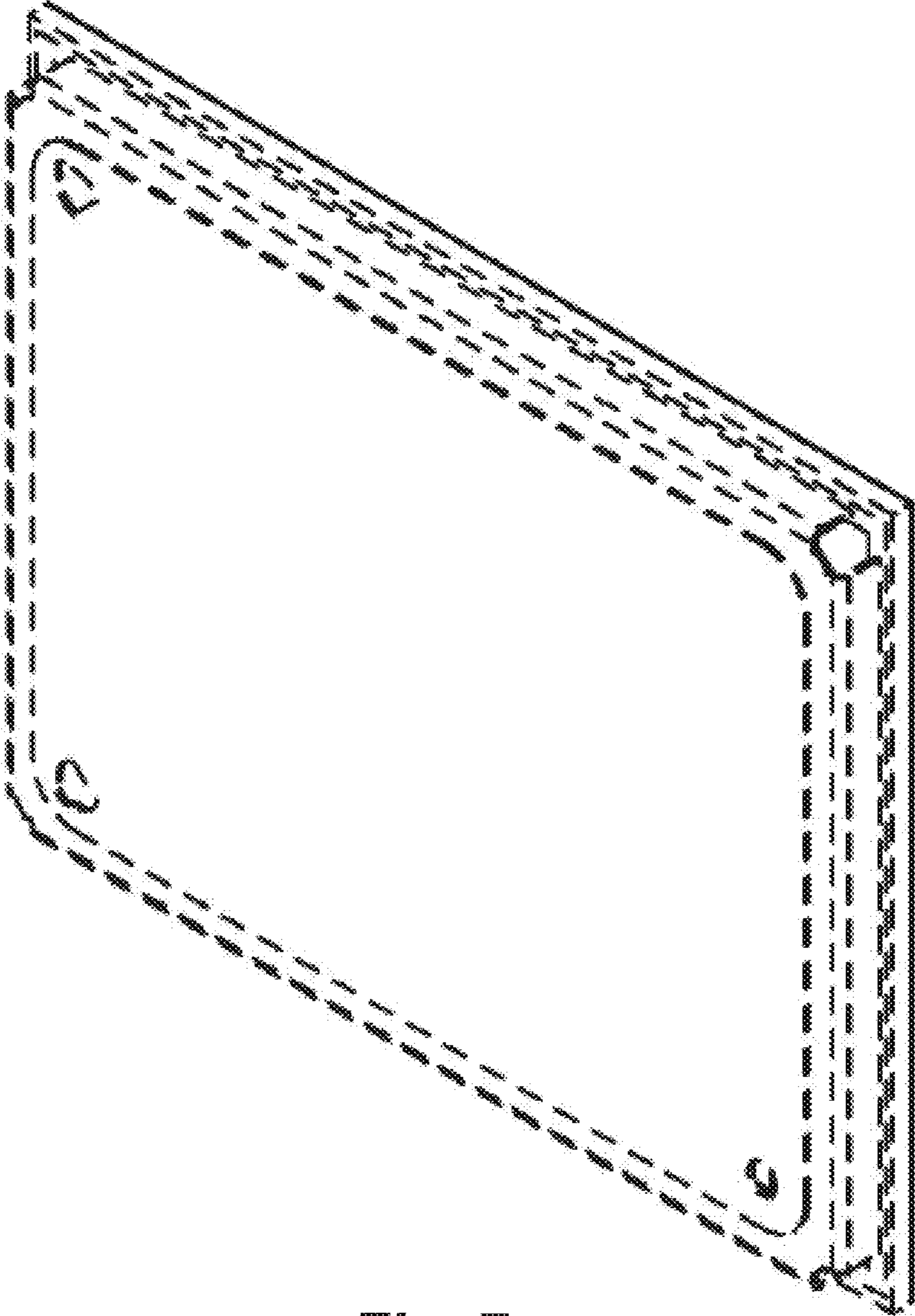


Fig. 7



Fig. 8