



US00D831008S

(12) **United States Design Patent** (10) **Patent No.:** **US D831,008 S**  
**Gong** (45) **Date of Patent:** **\*\* Oct. 16, 2018**

(54) **ANTENNA INSULATOR FOR A MOBILE PHONE**

(71) Applicant: **Guang Dong Oppo Mobile Telecommunications Corp., Ltd.**, Dongguan, Guangdong (CN)

(72) Inventor: **Guan Gong**, Guangdong (CN)

(73) Assignee: **Guangdong Oppo Mobile Telecommunications Corp., Ltd.**, Dongguan, Guangdong (CN)

(\*\*) Term: **15 Years**

(21) Appl. No.: **29/560,395**

(22) Filed: **Apr. 6, 2016**

(51) **LOC (11) Cl.** ..... **14-03**

(52) **U.S. Cl.**  
USPC ..... **D14/230; D14/250**

(58) **Field of Classification Search**  
USPC ..... D14/138, 230, 231, 232, 234, 235, 236, D14/237, 238, 238.1, 250, 299, 358; D13/182  
CPC ..... G01R 29/10; G01S 2013/0245; G01S 2013/0254; G01S 2013/0263; G01S 7/4026; G05B 2219/45001; G06K 19/07773; G06K 19/07775; G06K 19/07777; G08B 13/2468; G08B 13/2477; H01Q 1/088

See application file for complete search history.

(56) **References Cited**

**U.S. PATENT DOCUMENTS**

D558,758 S *	1/2008	Andre	.....	D14/138 G
D606,305 S *	12/2009	Lee	.....	D3/269
D606,533 S *	12/2009	de Jong	.....	D14/250
D606,986 S *	12/2009	de Jong	.....	D14/250
D607,444 S *	1/2010	Ferrari	.....	D14/250
D624,065 S *	9/2010	Bosch	.....	D14/250
D663,297 S *	7/2012	de Jong	.....	D14/341
D678,327 S *	3/2013	Lee	.....	D14/203.3
D679,692 S *	4/2013	Fahrendorff	.....	D14/250

(Continued)

**OTHER PUBLICATIONS**

<https://www.androidauthority.com/oppo-r7-r7-plus-specs-features-availability-609642/>—Published May 20, 2015.\*

*Primary Examiner* — Manpreet S Matharu

*Assistant Examiner* — Mojtaba Tehrani

(74) *Attorney, Agent, or Firm* — Young Basile Hanlon & MacFarlane, P.C.

(57) **CLAIM**

The ornamental design for an antenna insulator for a mobile phone, as shown and described.

**DESCRIPTION**

FIG. 1 is a lower, front, right perspective view of the first embodiment of an antenna insulator for a mobile phone, showing my new design;

FIG. 2 is a front view thereof;

FIG. 3 is a left side view thereof;

FIG. 4 is a partially enlarged view of the top, left side view thereof;

FIG. 5 is a right side view thereof;

FIG. 6 is a top view thereof; the bottom view being the mirror image thereto;

FIG. 7 is a lower, front, right perspective view of the second embodiment of an antenna insulator for a mobile phone, showing my new design;

FIG. 8 is a front view thereof;

FIG. 9 is a left side view thereof;

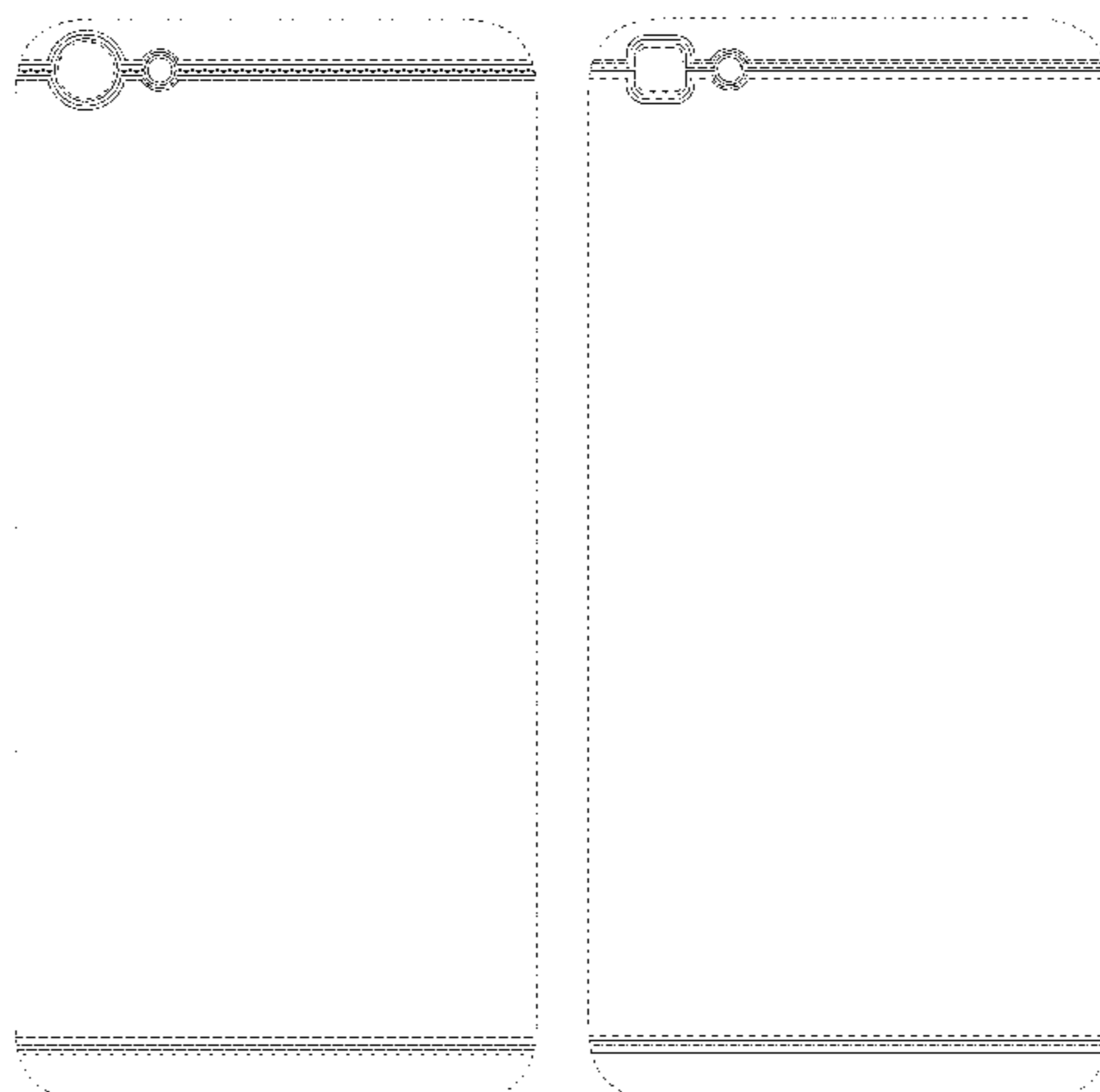
FIG. 10 is a partially enlarged view of the top, left side view thereof;

FIG. 11 is a right side view thereof; and,

FIG. 12 is a top view thereof; the bottom view being the mirror image thereto.

The broken line in the figure drawings represents unclaimed environment only and forms no part of the claimed design.

**1 Claim, 11 Drawing Sheets**



(56)

**References Cited**

U.S. PATENT DOCUMENTS

D685,740	S	*	7/2013	Moore	.....	D13/119
D691,601	S	*	10/2013	Murchison	.....	D14/250
D716,281	S	*	10/2014	Melanson	.....	D14/250
D716,282	S	*	10/2014	Melanson	.....	D14/250
D716,783	S	*	11/2014	Loncar	.....	D14/250
D719,946	S	*	12/2014	Chiang	.....	D14/250
D733,693	S	*	7/2015	Wang	.....	D14/248
D739,391	S	*	9/2015	Chen	.....	D14/248
D746,275	S	*	12/2015	Mohammad	.....	D14/250
D761,239	S	*	7/2016	Kim	.....	D14/250
D763,840	S	*	8/2016	Hwang	.....	D14/250
D767,553	S	*	9/2016	Fathollahi	.....	D14/250
D788,727	S	*	6/2017	Kuo	.....	D14/138 G
D794,003	S	*	8/2017	Chen	.....	D14/248
D801,959	S	*	11/2017	Kuo	.....	D14/248
D806,063	S	*	12/2017	Kim	.....	D14/250
D813,215	S	*	3/2018	Banerjee	.....	D14/248

\* cited by examiner

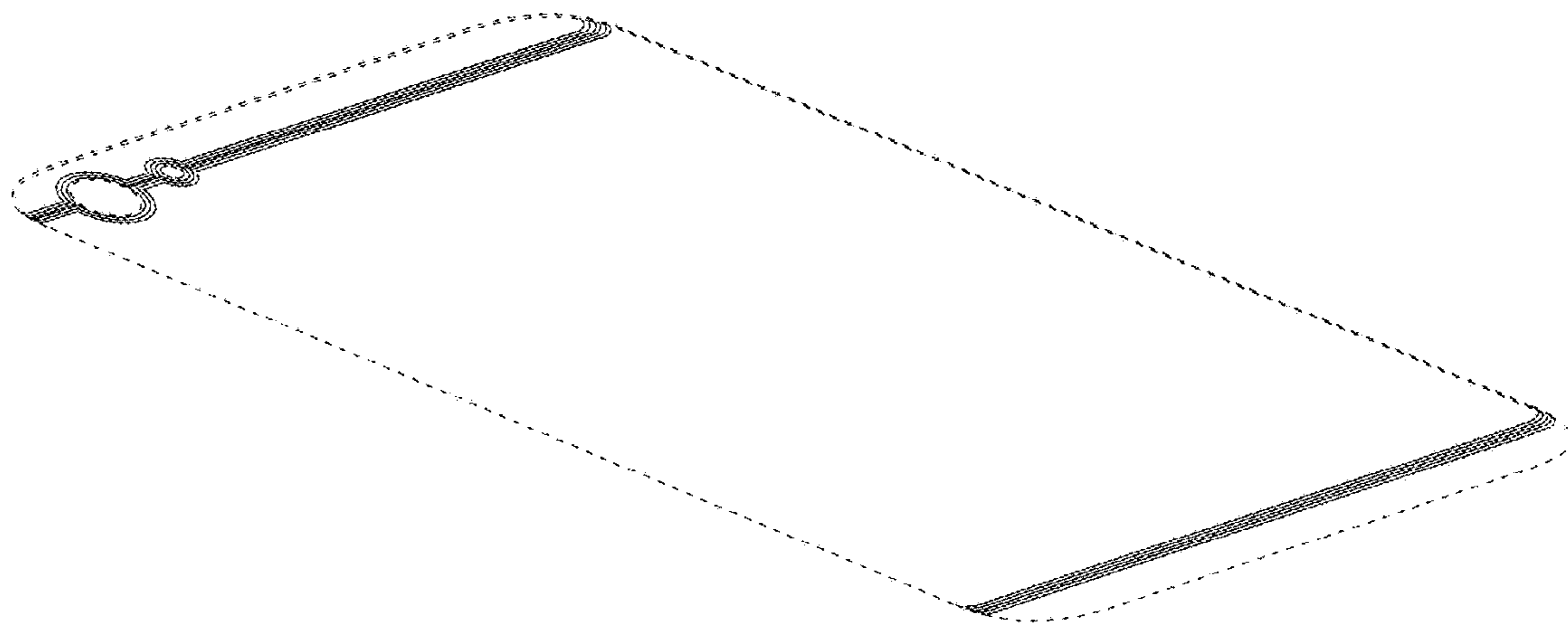


FIG. 1



FIG. 2

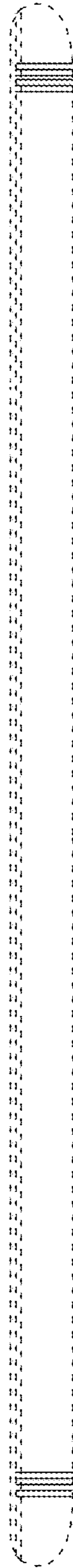


FIG. 3

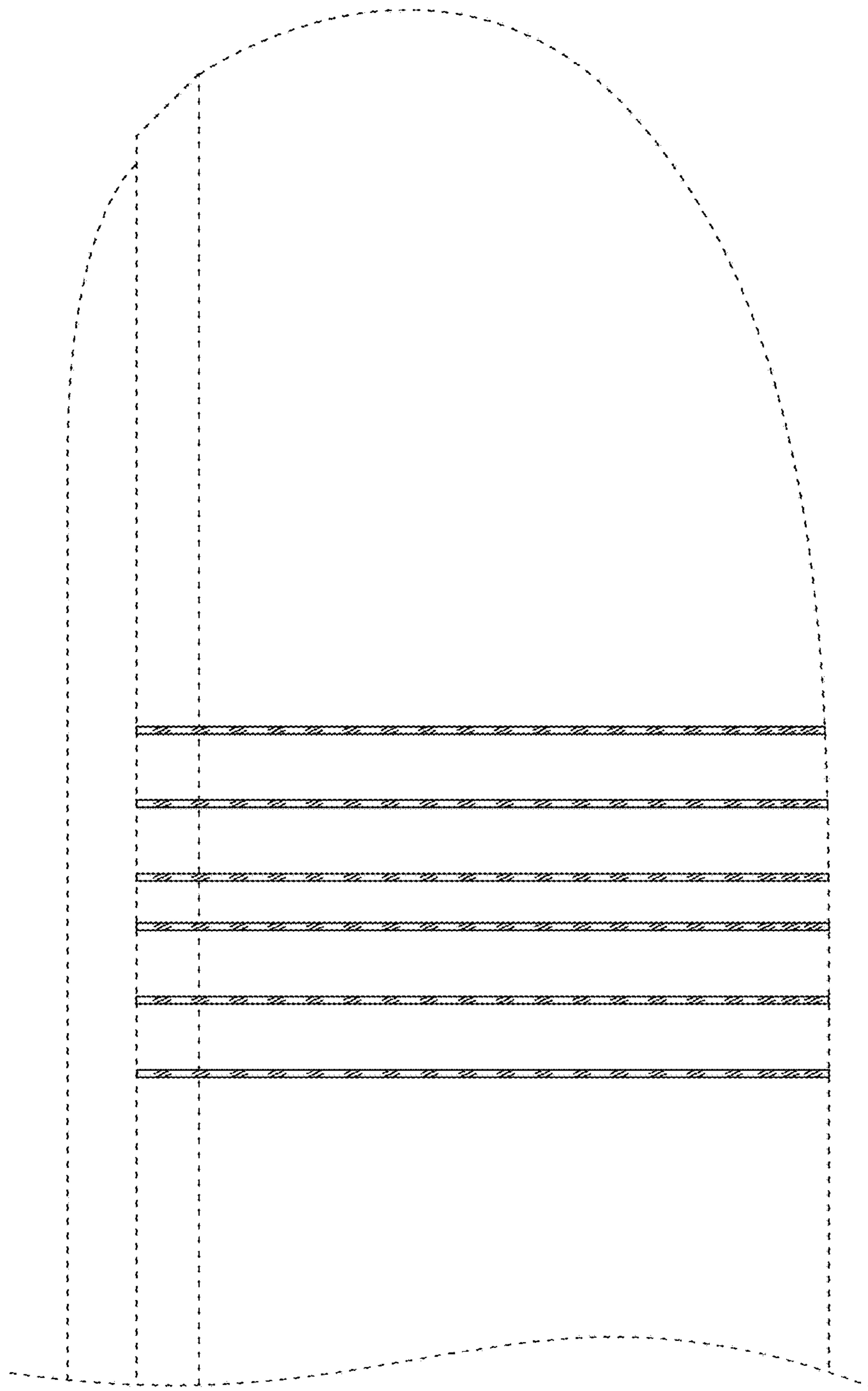


FIG. 4

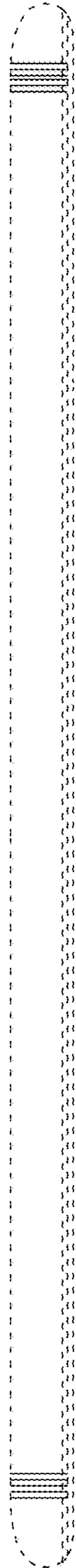


FIG. 5



FIG. 6

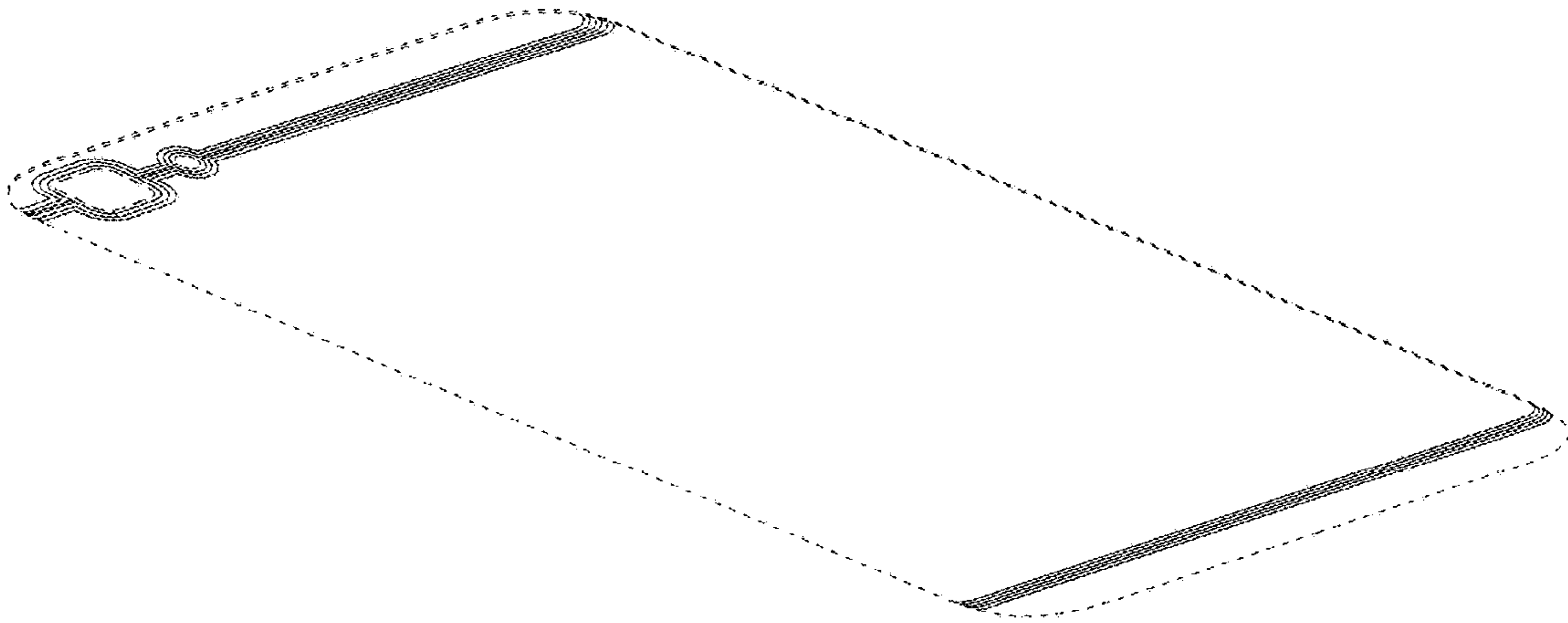


FIG. 7



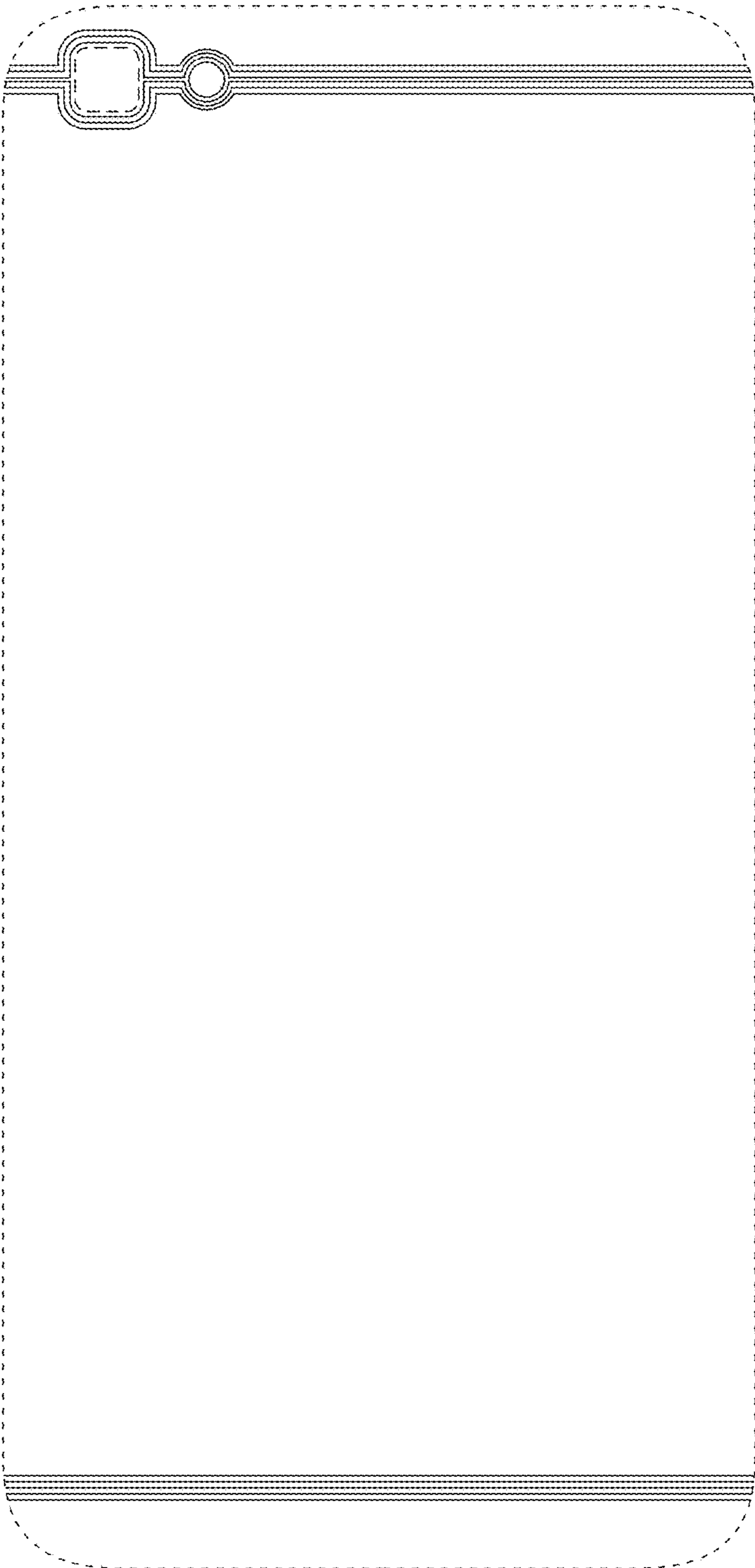


FIG. 8



FIG. 9

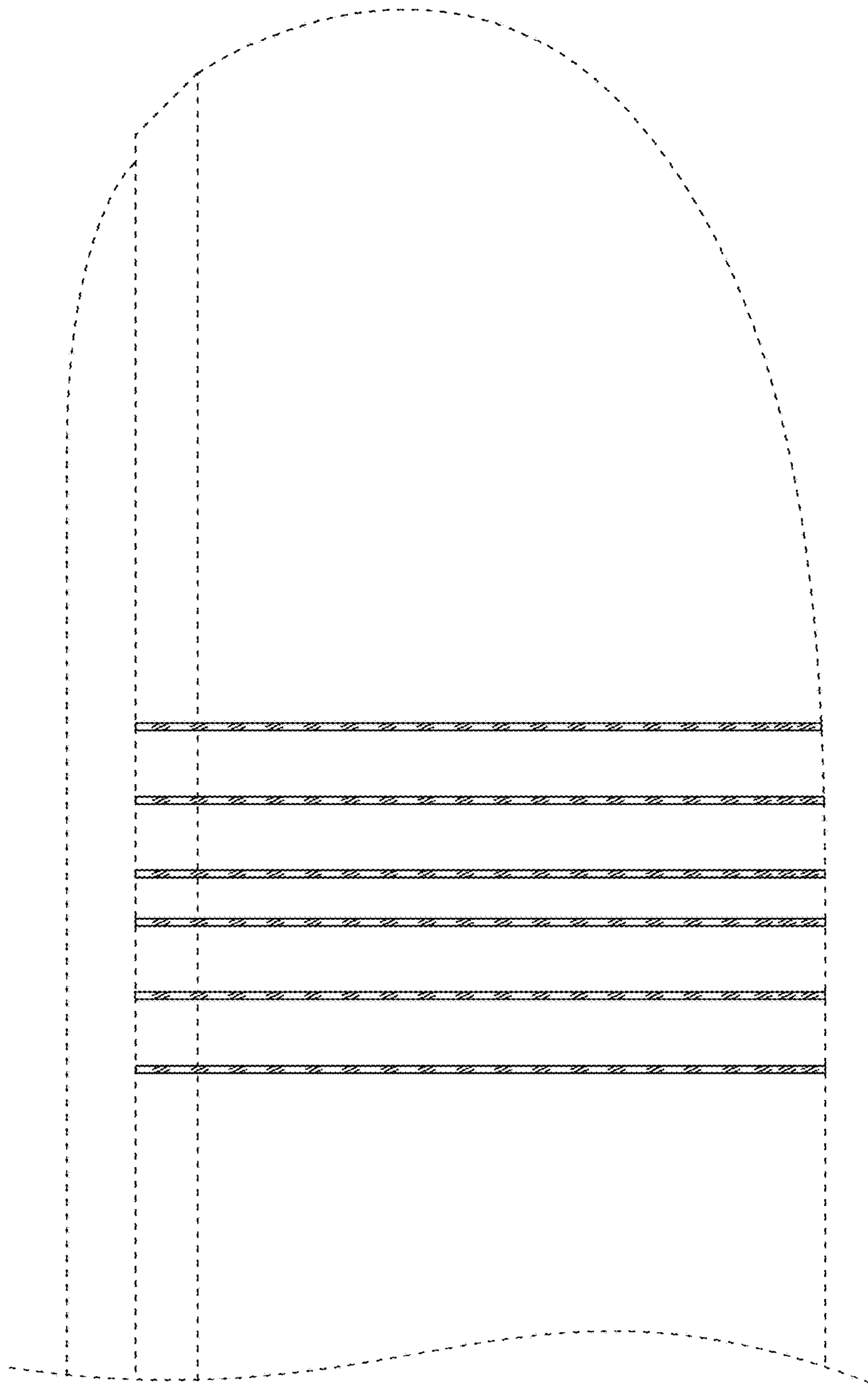


FIG. 10

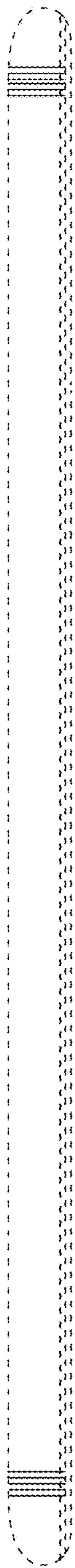


FIG. 11

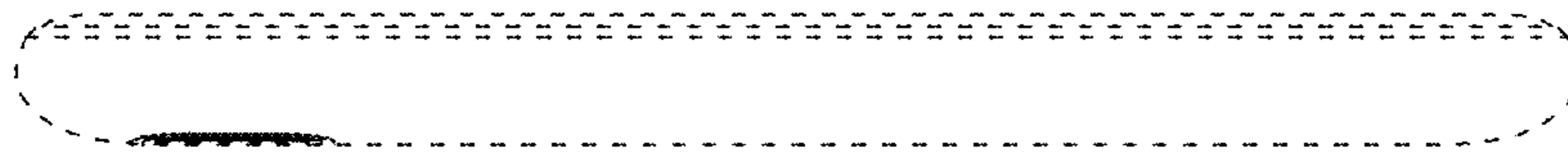


FIG. 12