



US00D831005S

(12) **United States Design Patent** (10) **Patent No.:** **US D831,005 S**
Gong (45) **Date of Patent:** **** Oct. 16, 2018**

(54) **ANTENNA INSULATOR FOR A MOBILE PHONE**

(71) Applicant: **Guang Dong Oppo Mobile Telecommunications Corp., Ltd.**, Dongguan, Guangdong (CN)

(72) Inventor: **Guan Gong**, Guangdong (CN)

(73) Assignee: **Guangdong Oppo Mobile Telecommunications Corp., Ltd.**, Dongguan, Guangdong (CN)

(**) Term: **15 Years**

(21) Appl. No.: **29/560,384**

(22) Filed: **Apr. 6, 2016**

(51) **LOC (11) Cl.** **14-03**

(52) **U.S. Cl.**
USPC **D14/230**; D14/250

(58) **Field of Classification Search**
USPC D14/138, 230, 231, 232, 234, 235, 236, D14/237, 238, 238.1, 250, 299, 358; D13/182

CPC G01R 29/10; G01S 2013/0245; G01S 2013/0254; G01S 2013/0263; G01S 7/4026; G05B 2219/45001; G06K 19/07773; G06K 19/07775; G06K 19/07777; G08B 13/2468; G08B 13/2477; H01Q 1/088

See application file for complete search history.

(56) **References Cited**

U.S. PATENT DOCUMENTS

D606,305 S	*	12/2009	Lee	D3/269
D606,533 S	*	12/2009	de Jong	D14/250
D606,986 S	*	12/2009	de Jong	D14/250
D607,444 S	*	1/2010	Ferrari	D14/250
D607,445 S	*	1/2010	Ferrari	D14/250
D624,065 S	*	9/2010	Bosch	D14/250

D644,218 S	*	8/2011	Akana	D14/250
D678,327 S	*	3/2013	Lee	D14/203.3
D685,737 S	*	7/2013	de Jong	D13/119
D685,740 S	*	7/2013	Moore	D13/119
D691,601 S	*	10/2013	Murchison	D14/250
D692,418 S	*	10/2013	Fahrendorff	D14/250
D707,215 S	*	6/2014	Weller	D14/250
D709,484 S	*	7/2014	Yoo	D14/250
D716,281 S	*	10/2014	Melanson	D14/250
D716,282 S	*	10/2014	Melanson	D14/250
D716,783 S	*	11/2014	Loncar	D14/250
D719,946 S	*	12/2014	Chiang	D14/250
D751,540 S	*	3/2016	Shin	D14/250

(Continued)

OTHER PUBLICATIONS

<http://devicedoctorspx.com/leaked-iphone-7-casing-shows-repositioned-antenna-lines/>—Published Jun. 1, 2016.*

Primary Examiner — Manpreet S Matharu

Assistant Examiner — Mojtaba Tehrani

(74) *Attorney, Agent, or Firm* — Young Basile Hanlon & MacFarlane, P.C.

(57) **CLAIM**

The ornamental design for an antenna insulator for a mobile phone, as shown and described.

DESCRIPTION

FIG. 1 is a lower, front, right perspective view of an antenna insulator for a mobile phone, showing my new design;

FIG. 2 is a front view thereof;

FIG. 3 is a left side view thereof;

FIG. 4 is a partially enlarged view of the top, left side view thereof;

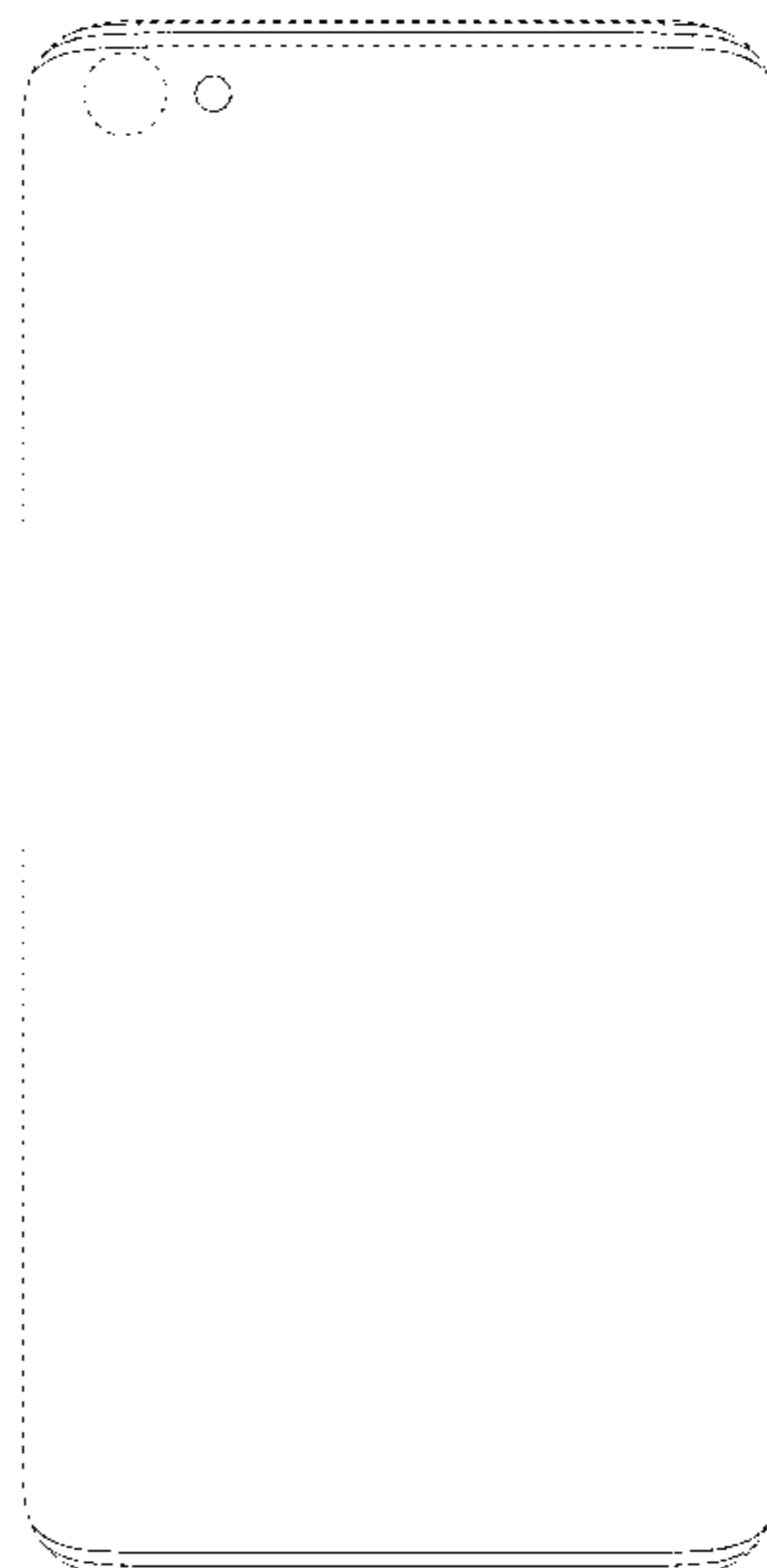
FIG. 5 is a right side view thereof;

FIG. 6 is a top view thereof; and,

FIG. 7 is the bottom view thereof.

The broken line in the figure drawings represents unclaimed environment only and forms no part of the claimed design.

1 Claim, 6 Drawing Sheets



(56)

References Cited

U.S. PATENT DOCUMENTS

D755,784 S *	5/2016	Andre	D14/341
D763,840 S *	8/2016	Hwang	D14/250
D765,630 S *	9/2016	Harata	D14/250
D765,631 S *	9/2016	Harata	D14/250
D794,003 S *	8/2017	Chen	D14/248
D801,959 S *	11/2017	Kuo	D14/248
D809,504 S *	2/2018	Akana	D14/341
D813,215 S *	3/2018	Banerjee	D14/248
9,935,360 B2 *	4/2018	Mai	H01Q 1/243
2018/0006361 A1 *	1/2018	Mai	H01Q 1/243

* cited by examiner

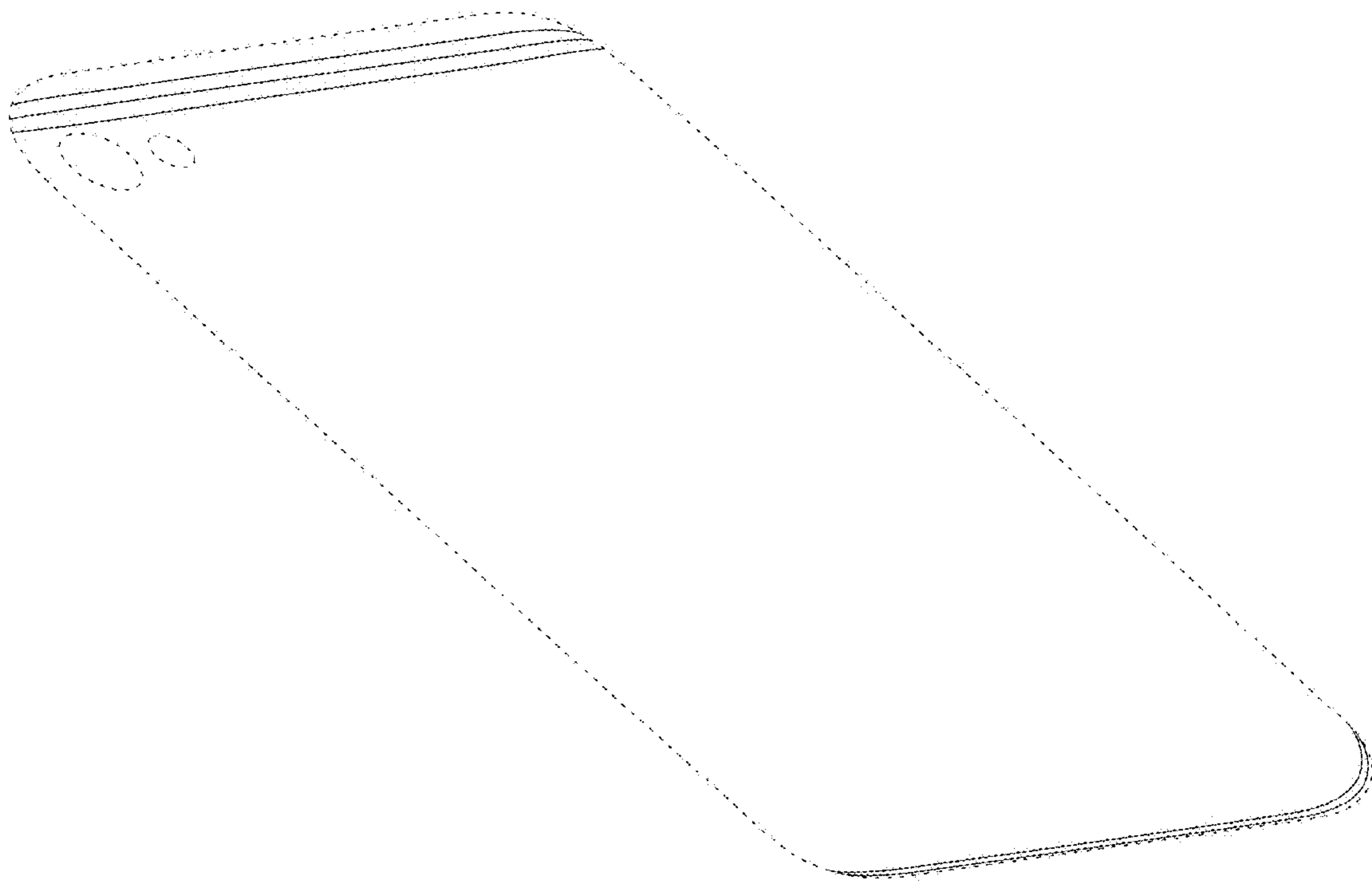


FIG. 1



FIG. 2

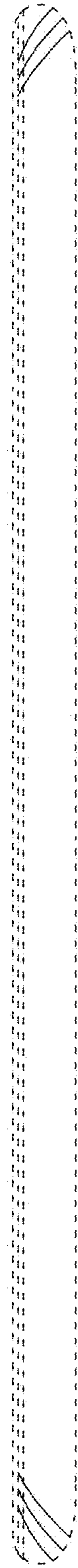


FIG. 3

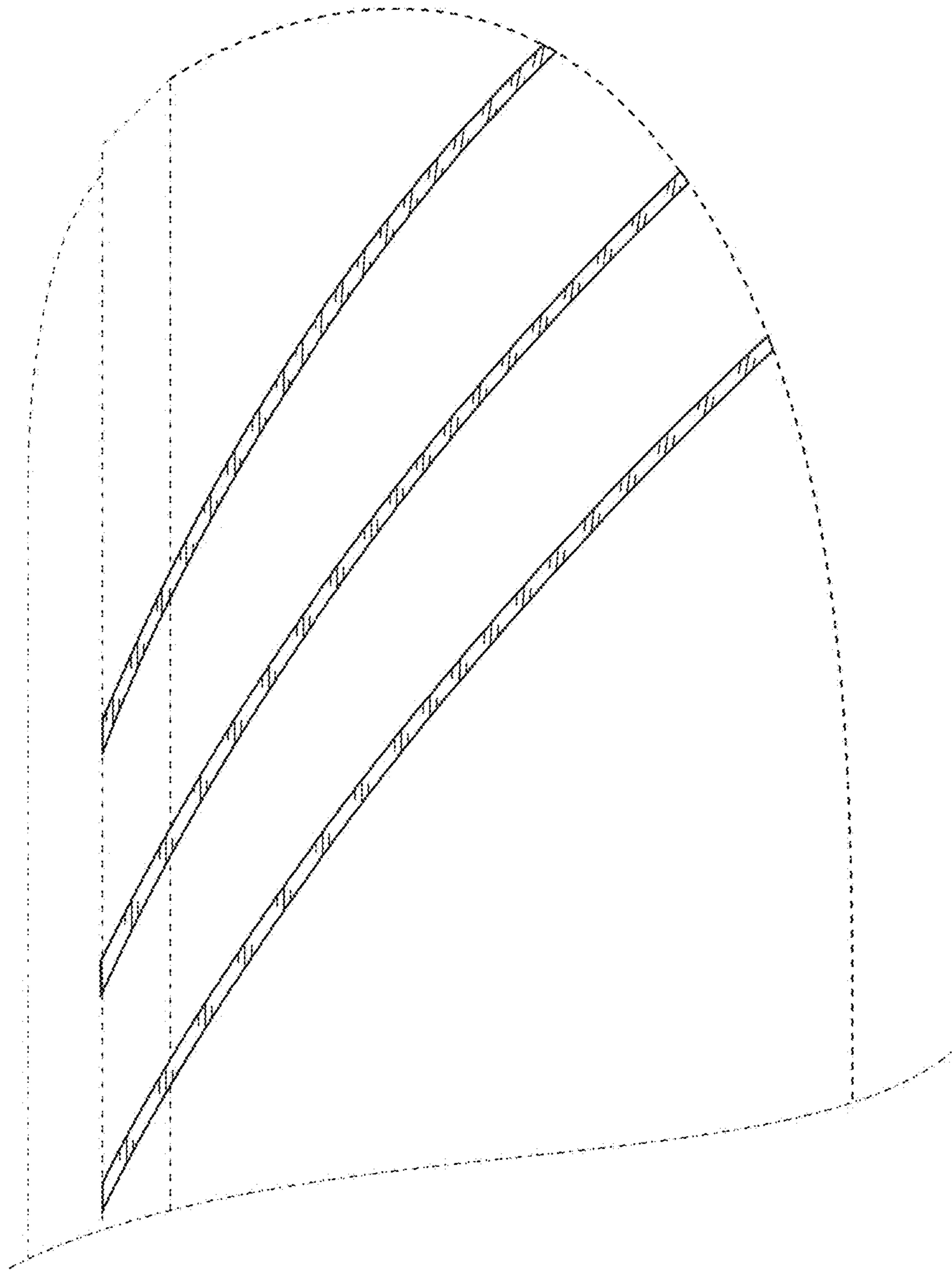


FIG. 4

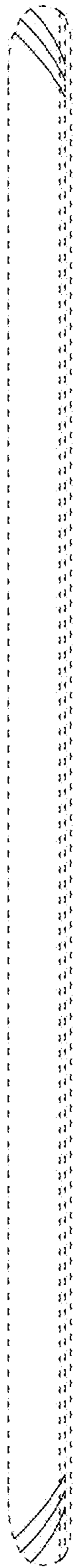


FIG. 5

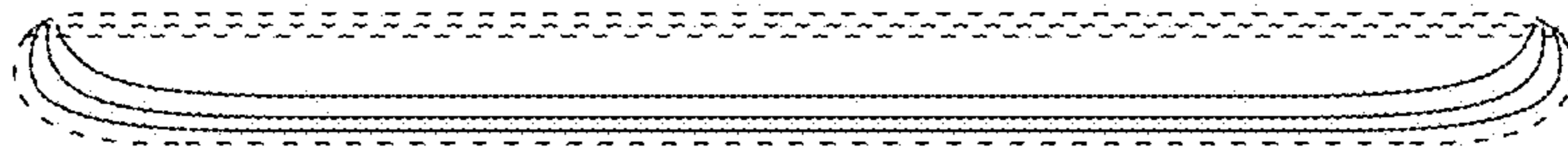


FIG. 6

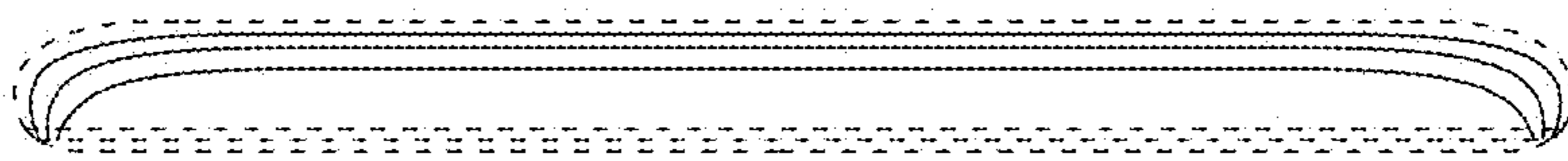


FIG. 7