



US00D831004S

(12) **United States Design Patent**
Lu

(10) **Patent No.:** **US D831,004 S**
(45) **Date of Patent:** **** Oct. 16, 2018**

(54) **MICROPHONE**

(71) Applicant: **Shenzhen Maono Technology Co., Ltd**, Shenzhen (CN)

(72) Inventor: **Jun Lu**, Shenzhen (CN)

(73) Assignee: **Shenzhen Maono Technology Co., Ltd**, Shenzhen (CN)

(**) Term: **15 Years**

(21) Appl. No.: **29/601,333**

(22) Filed: **Apr. 21, 2017**

(51) **LOC (11) Cl.** **14-01**

(52) **U.S. Cl.**
USPC **D14/225**

(58) **Field of Classification Search**
USPC D14/225, 226, 205, 223, 227, 228, 159,
D14/497, 511, 154, 160, 167, 432, 435,
(Continued)

(56) **References Cited**

U.S. PATENT DOCUMENTS

2,263,066 A *	11/1941	Benisek	H04M 1/05 379/185
3,184,556 A *	5/1965	Wallace	H04M 1/05 379/430

(Continued)

Primary Examiner — Paula Allen Greene

(74) *Attorney, Agent, or Firm* — Yong Chen

(57) **CLAIM**

The ornamental design for a microphone, as shown and described.

DESCRIPTION

FIG. 1 is a front view of the first part of the microphone of the present invention, shown separately for purpose of illustration.

FIG. 2 is a top view of the first part of the microphone of the present invention, shown separately for purpose of illustration.

FIG. 3 is a back view of the first part of the microphone of the present invention, shown separately for purpose of illustration.

FIG. 4 is a bottom view of the first part of the microphone of the present invention, shown separately for purpose of illustration.

FIG. 5 is a left view of the first part of the microphone of the present invention, shown separately for purpose of illustration.

FIG. 6 is a right view of the first part of the microphone of the present invention, shown separately for purpose of illustration.

FIG. 7 is a prospective view of the first part of the microphone of the present invention, shown separately for purpose of illustration.

FIG. 8 is a front view of the second part of the microphone of the present invention, shown separately for purpose of illustration.

FIG. 9 is a back view of the second part of the microphone of the present invention, shown separately for purpose of illustration.

FIG. 10 is a top view of the second part of the microphone of the present invention, shown separately for purpose of illustration.

FIG. 11 is a bottom view of the second part of the microphone of the present invention, shown separately for purpose of illustration.

FIG. 12 is a left view of the second part of the microphone of the present invention, shown separately for purpose of illustration.

FIG. 13 is a right view of the second part of the microphone of the present invention, shown separately for purpose of illustration.

FIG. 14 is a prospective view of the second part of the microphone of the present invention, shown separately for purpose of illustration.

FIG. 15 is an illustrative view of the microphone of the present invention showing how the first part of the microphone and the second part of the microphone may be assembled for use; and,

(Continued)

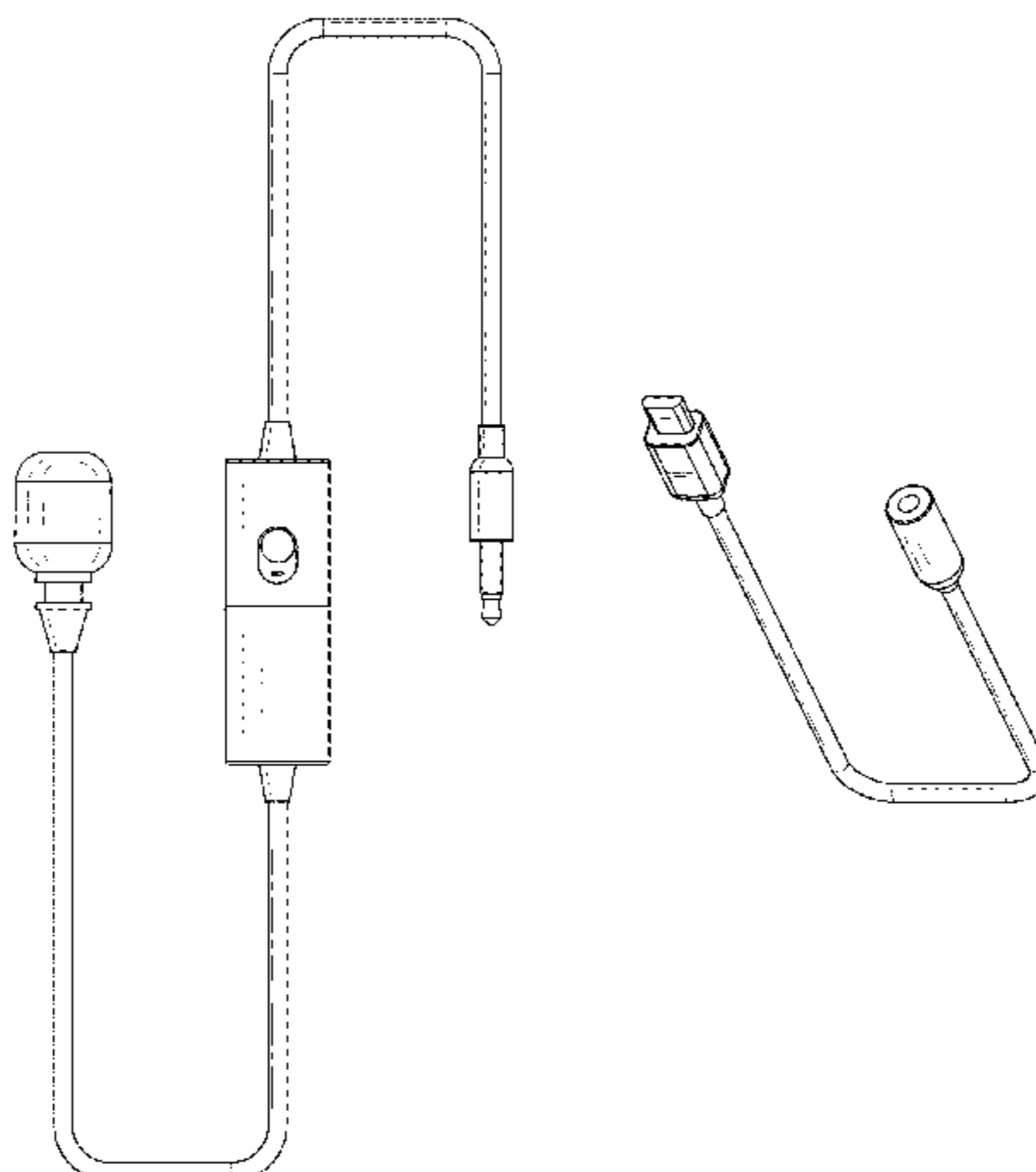


FIG. 16 is an illustrative view of the microphone of the present invention when the first part of the microphone and the second part of the microphone have been assembled for use.

1 Claim, 8 Drawing Sheets

(58) Field of Classification Search

USPC D14/436, 435.1, 439, 480.1, 484.1, 483;
 181/129, 130, 135; 379/430, 431, 433.02,
 379/433.03; 381/380, 381, 364, 370, 326,
 381/375; 455/90.3, 575.1, 569.1
 CPC H04R 25/00; H04R 1/10; H04R 1/1066;
 H04R 1/083; H04R 1/08
 See application file for complete search history.

(56) References Cited

U.S. PATENT DOCUMENTS

3,258,534 A * 6/1966 Goldsworthy A42B 3/30
 2/422
 3,280,273 A * 10/1966 Flygstad H04M 1/05
 379/430
 3,562,446 A * 2/1971 Wolf F16M 13/00
 381/174
 3,781,492 A * 12/1973 Cragg H04R 1/08
 379/430
 3,851,123 A * 11/1974 Lipinski H04R 1/10
 181/135
 3,993,879 A * 11/1976 Larkin H04B 1/385
 181/20
 4,090,042 A * 5/1978 Larkin H04B 1/385
 181/20
 4,118,606 A * 10/1978 Larkin H04B 1/385
 181/20
 4,273,969 A * 6/1981 Foley H04M 1/05
 174/86

D278,625 S * 4/1985 Mathiasen D14/228
 D296,435 S * 6/1988 Kubota D14/228
 4,889,303 A * 12/1989 Wolf F16M 11/40
 248/160
 4,926,961 A * 5/1990 Gattey G10K 11/22
 181/18
 D309,306 S * 7/1990 Weiser D14/249
 5,446,788 A * 8/1995 Lucey H04M 1/05
 379/430
 D363,700 S * 10/1995 Buongervino D13/147
 D366,045 S * 1/1996 Hirschhorn D14/209
 5,615,273 A * 3/1997 Lucey H04R 1/083
 381/160
 D379,990 S * 6/1997 Bungardt D14/228
 D381,629 S * 7/1997 Goto D13/147
 D396,715 S * 8/1998 Konomi D14/142
 5,845,197 A * 12/1998 Hada G11B 31/00
 455/569.1
 D416,543 S * 11/1999 Tsai D13/147
 6,097,827 A * 8/2000 Yang H04R 1/1066
 381/375
 D447,472 S * 9/2001 McGugan D14/225
 6,333,984 B1 * 12/2001 Yang H04R 1/083
 381/364
 D456,010 S * 4/2002 Goto D13/147
 D463,399 S * 9/2002 Konomi D14/206
 6,560,346 B2 * 5/2003 Ohta H04R 1/083
 381/370
 D478,579 S * 8/2003 Sade D14/226
 6,728,374 B1 * 4/2004 Takeda H04M 1/03
 379/430
 7,103,392 B2 * 9/2006 Fletcher H04M 1/725
 379/159
 D533,166 S * 12/2006 Marquez D14/225
 D620,482 S * 7/2010 Chen D14/225
 7,778,435 B2 * 8/2010 Smith H04R 1/10
 181/135
 D734,298 S * 7/2015 Tatkon-Coker D14/206
 D734,745 S * 7/2015 Tatkon-Coker D14/225
 D741,842 S * 10/2015 Levine D14/226
 D781,268 S * 3/2017 Magi D14/223

* cited by examiner

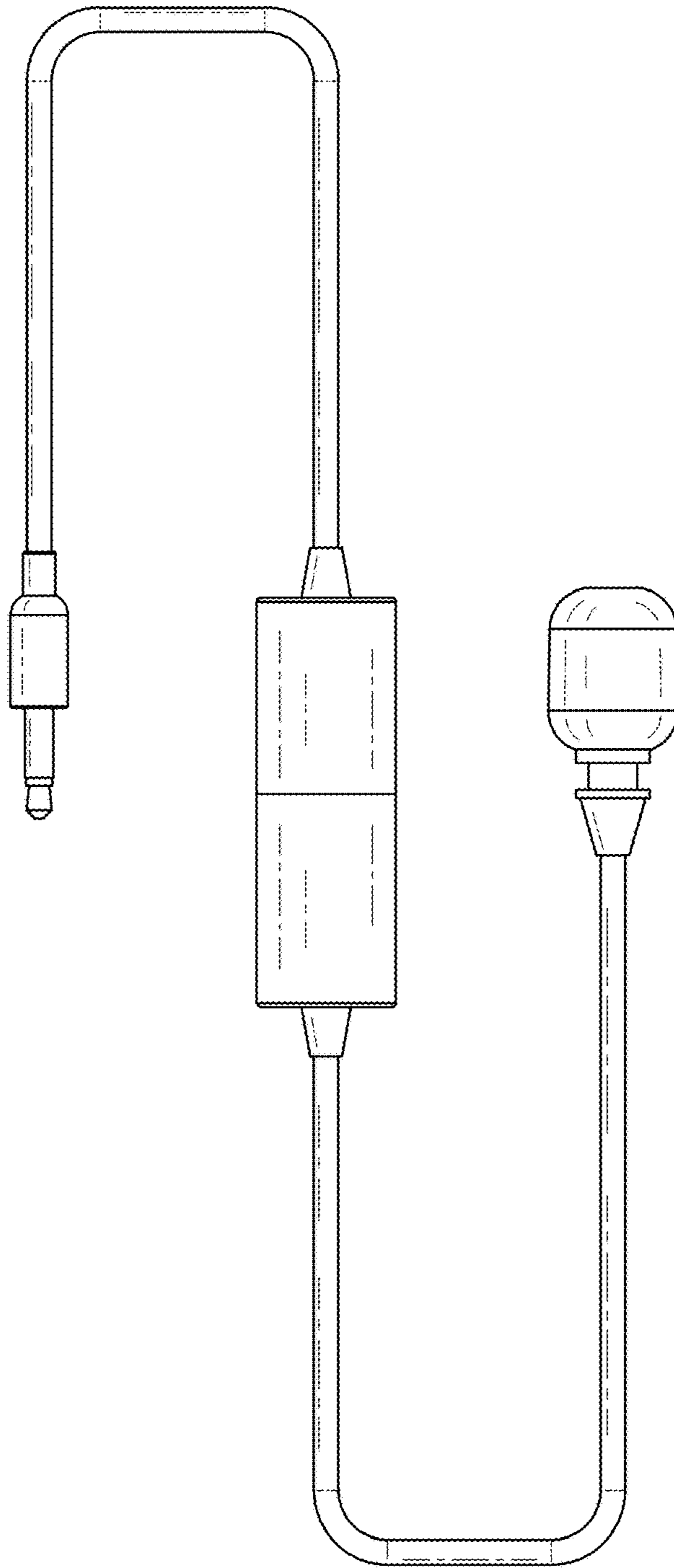


FIG. 1

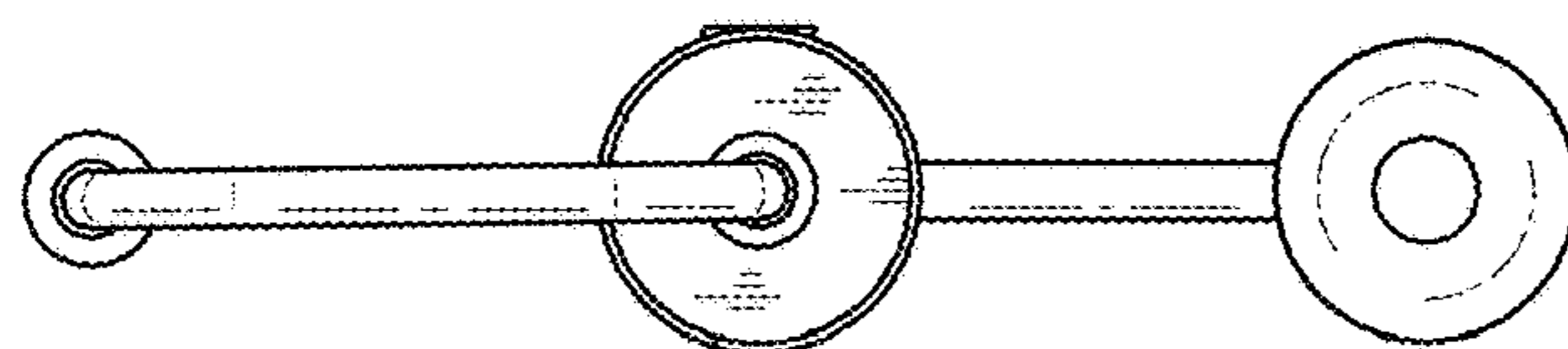


FIG. 2

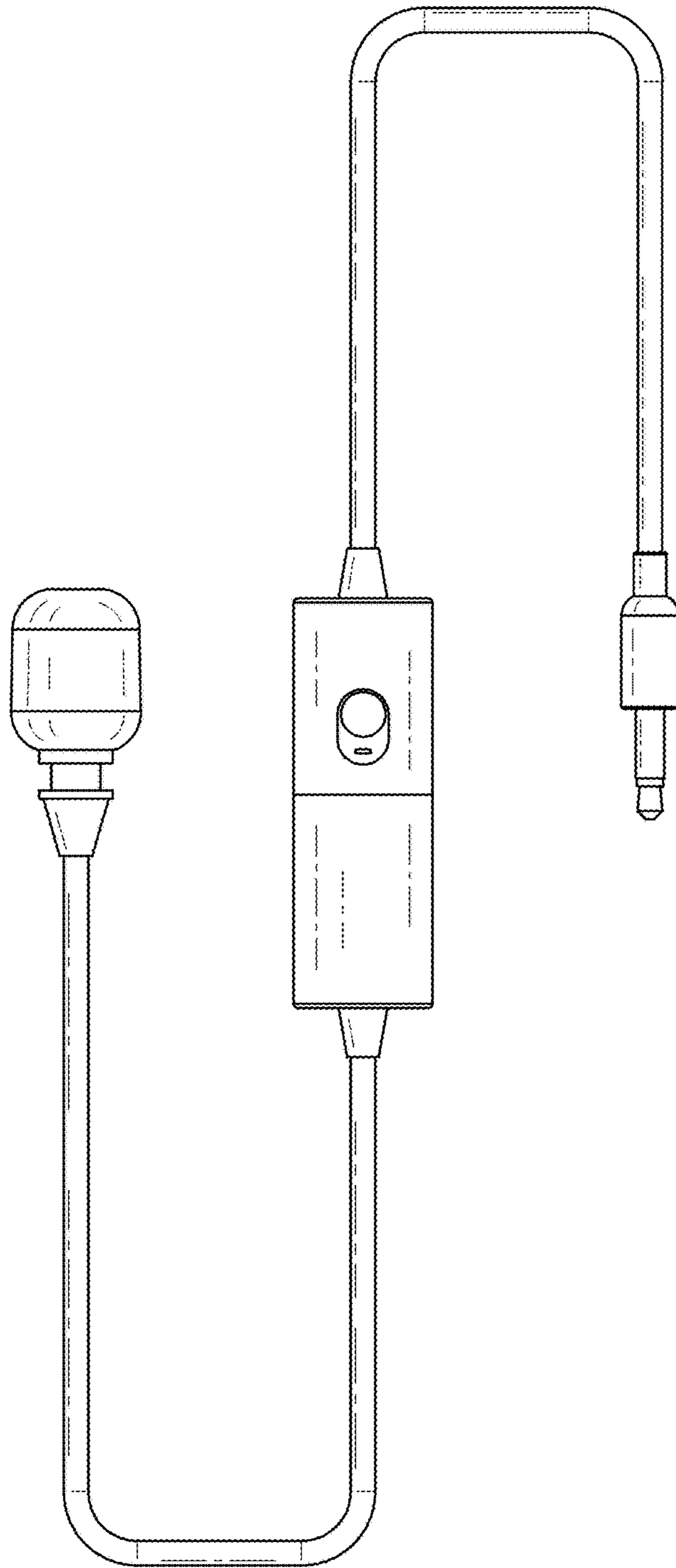


FIG. 3

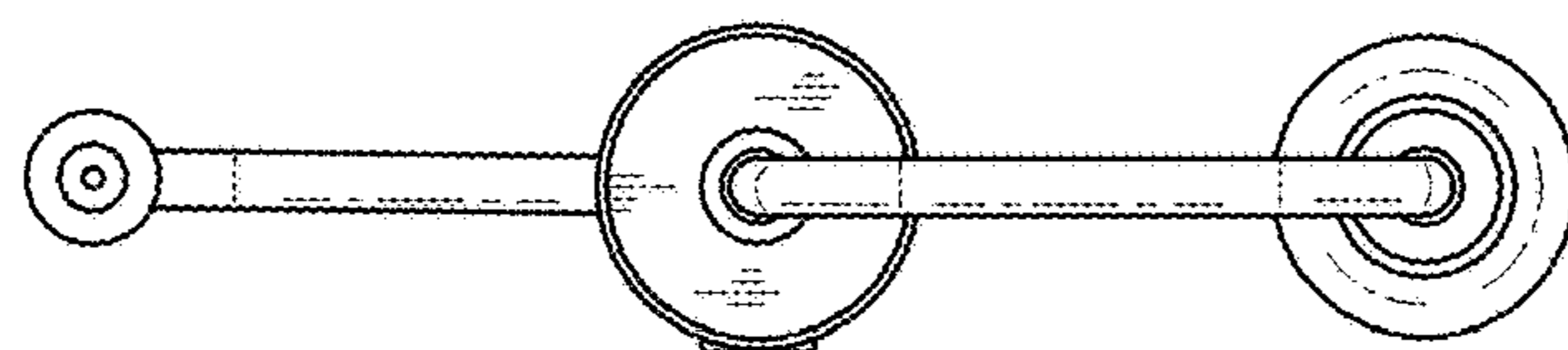


FIG. 4

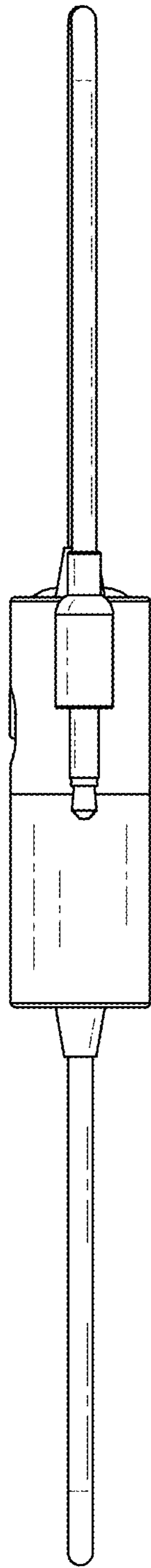


FIG. 5

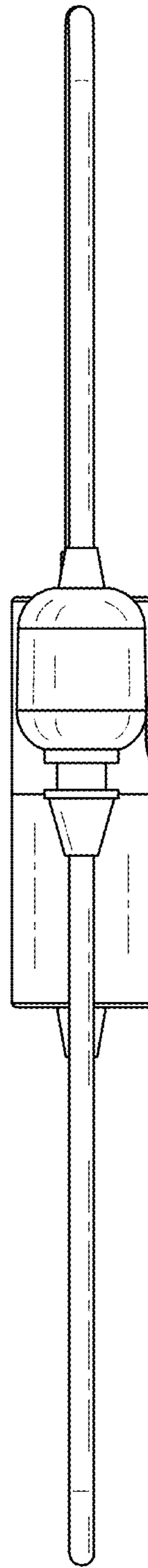


FIG. 6

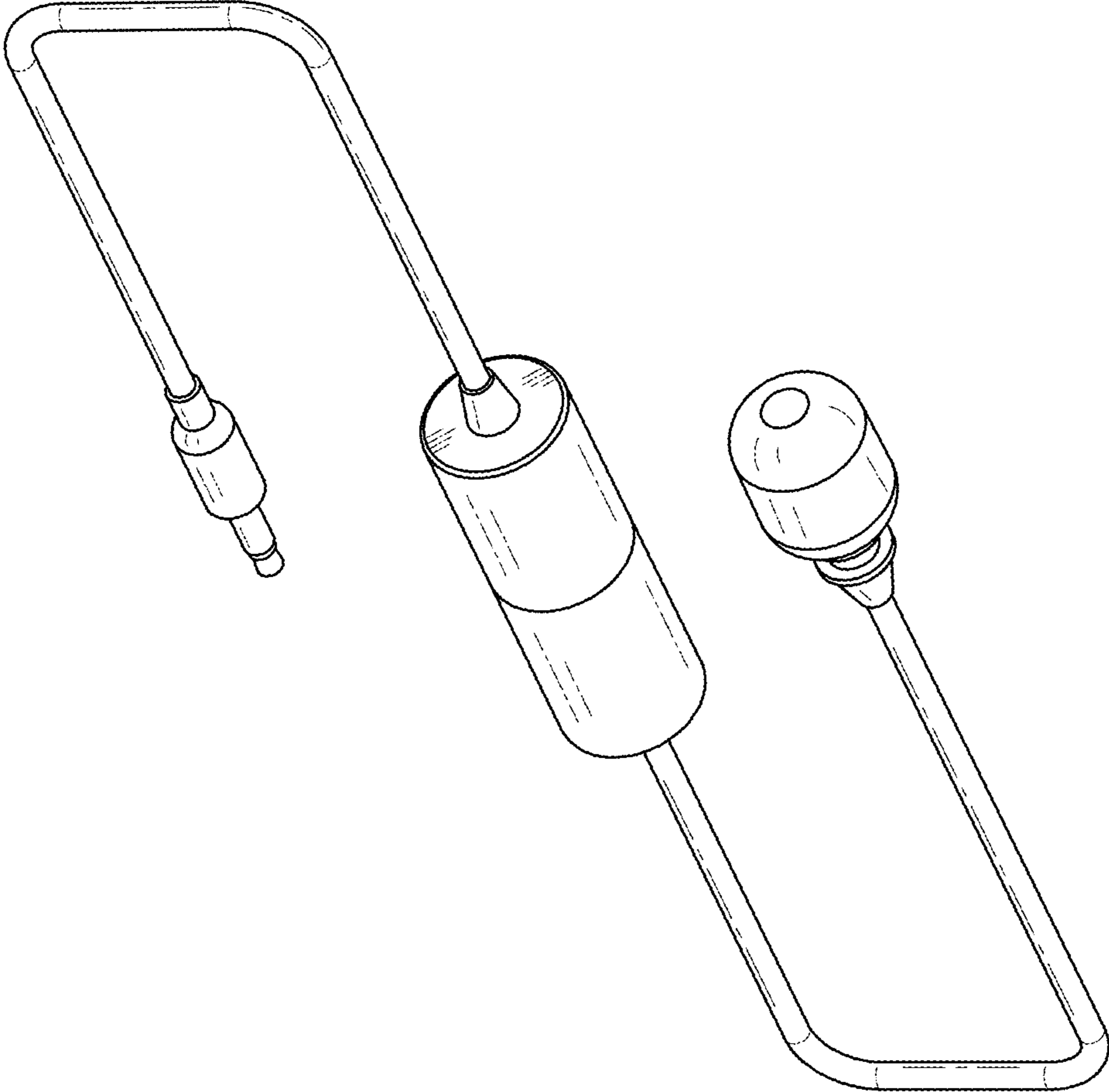


FIG. 7

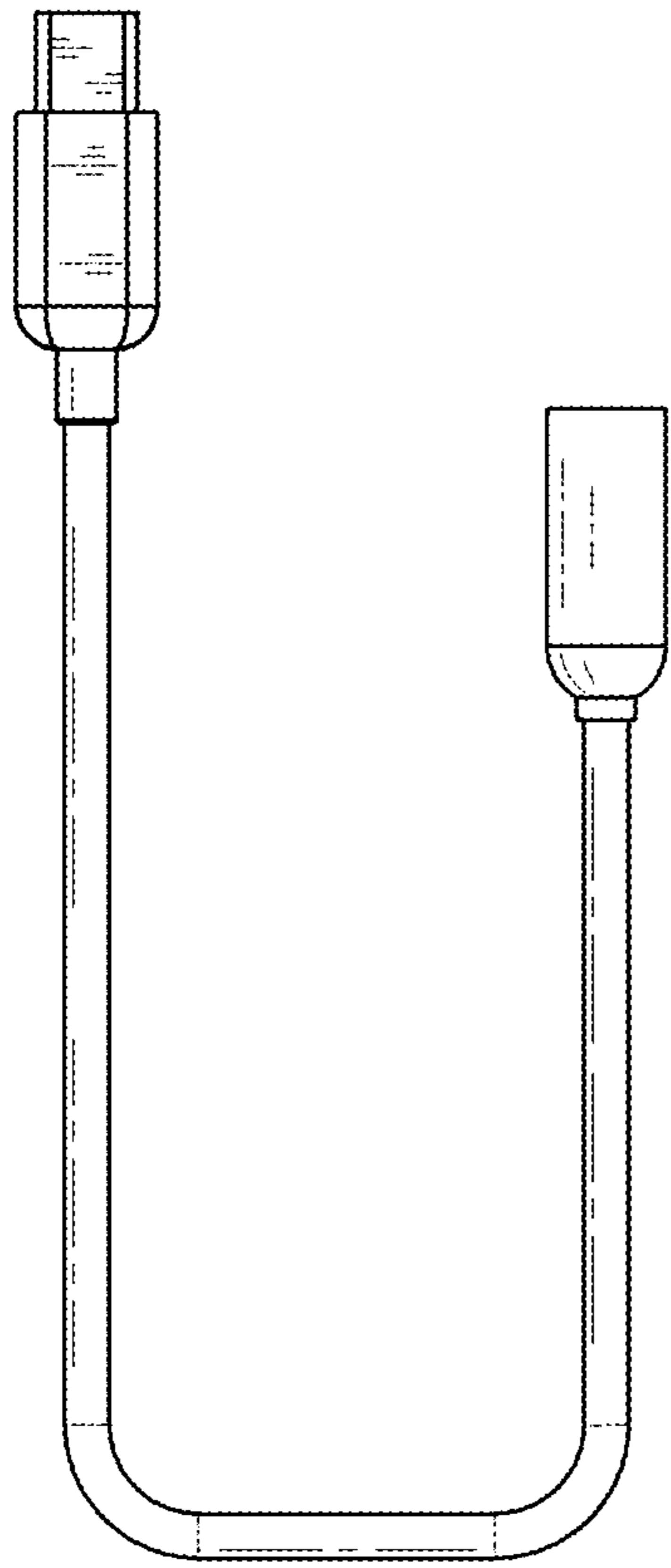


FIG. 8

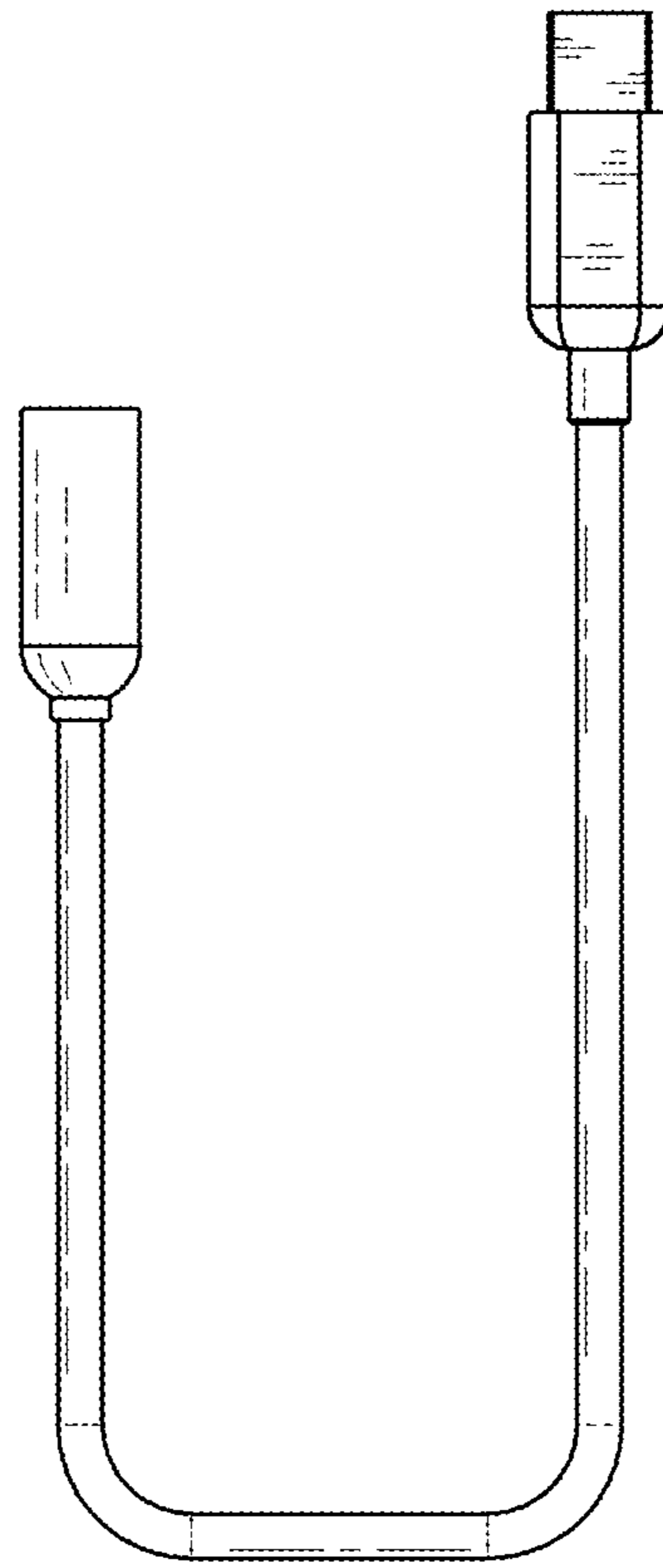


FIG. 9

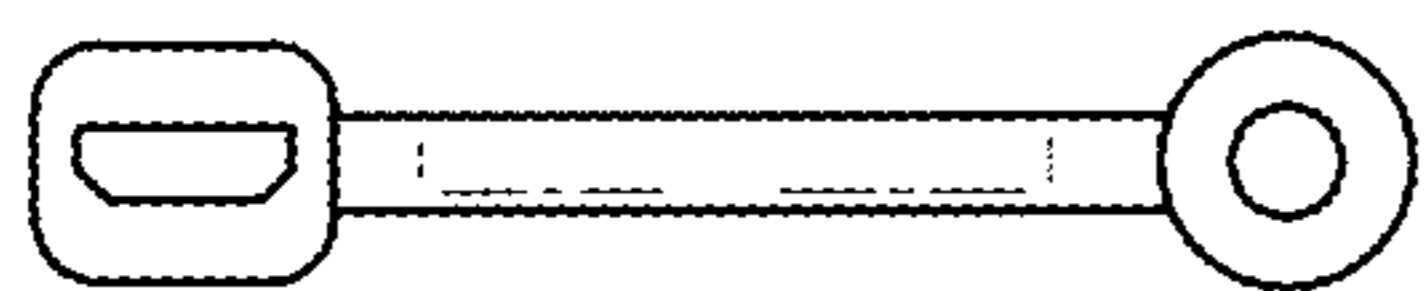


FIG. 10

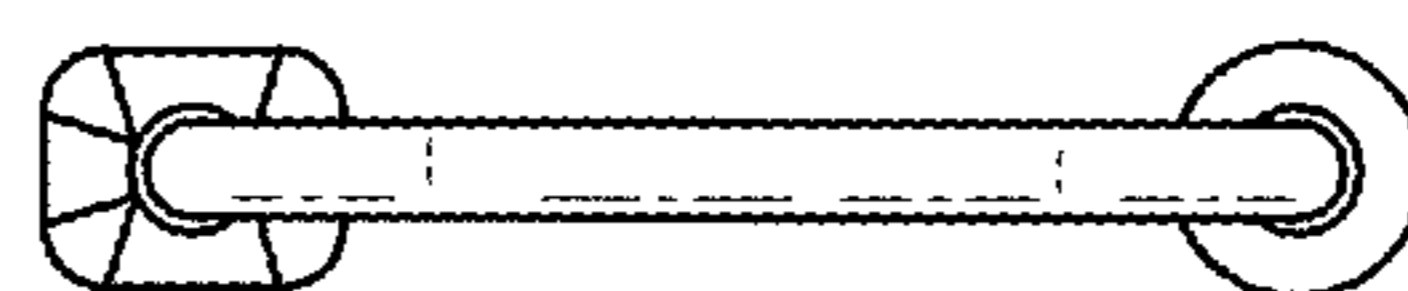


FIG. 11

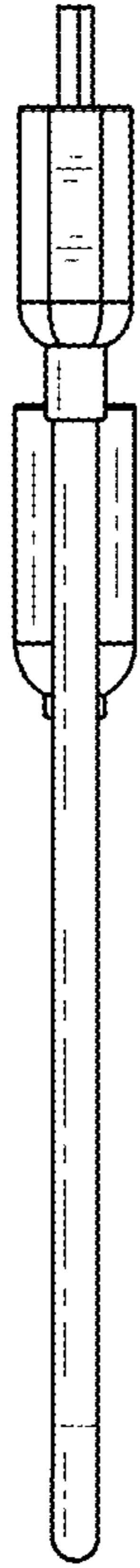


FIG. 12

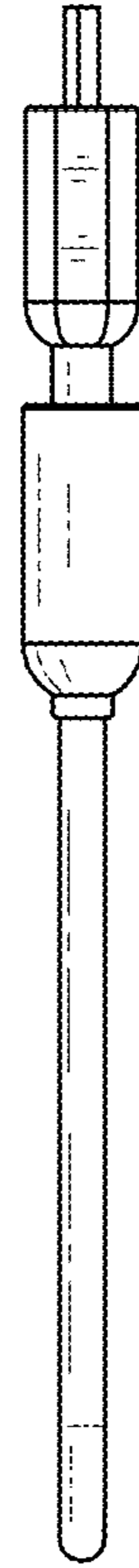


FIG. 13

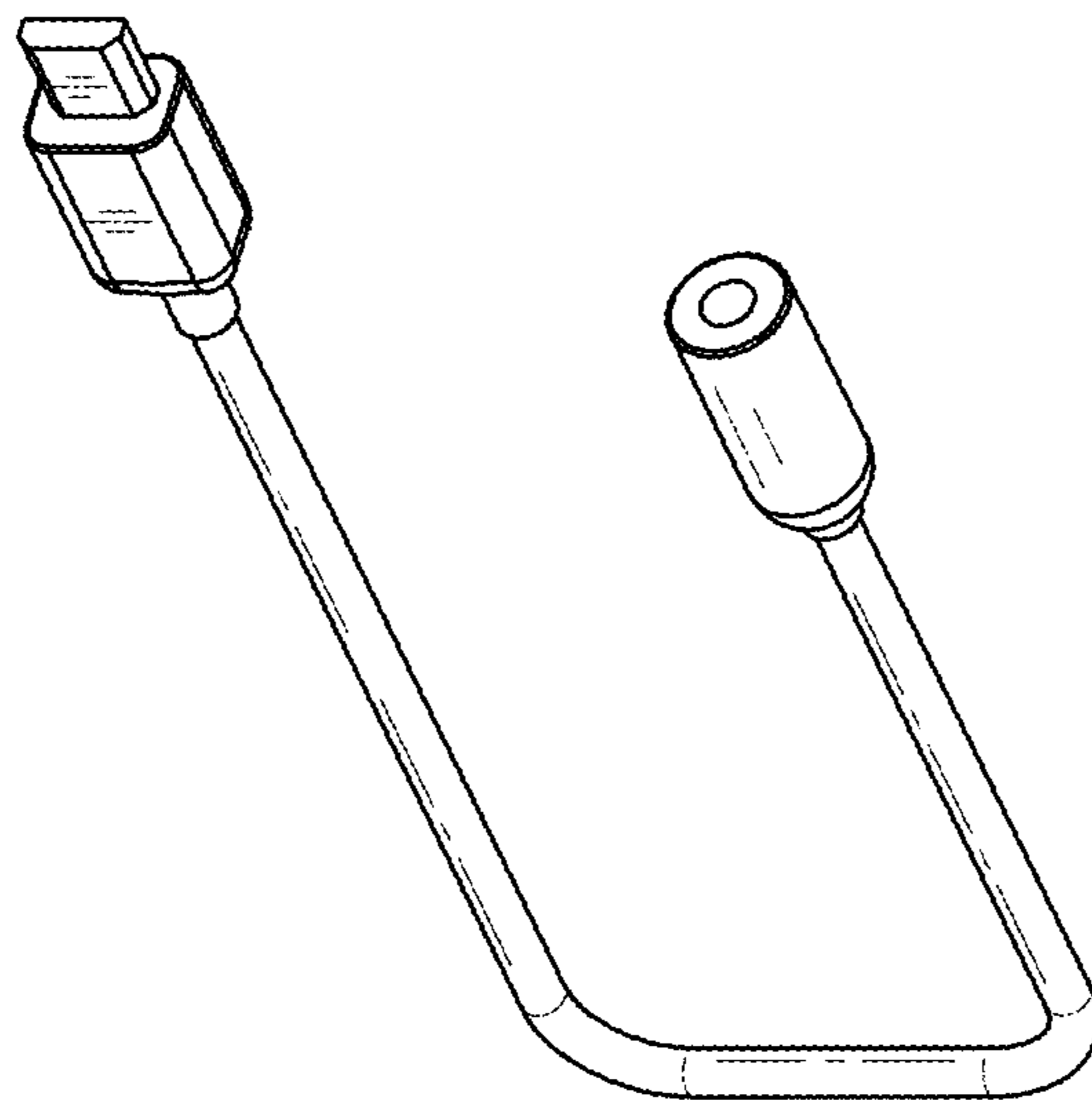


FIG. 14

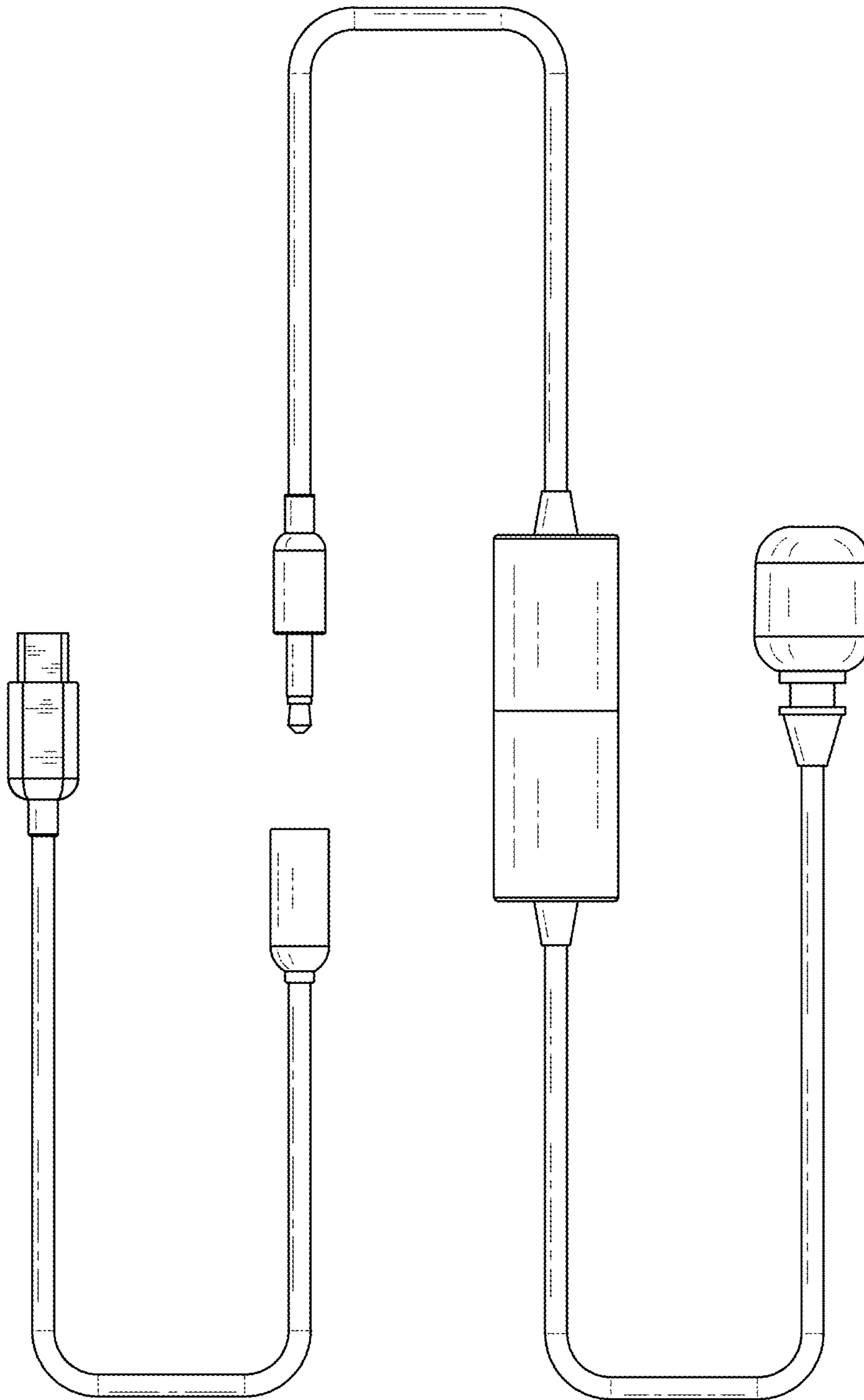


FIG. 15

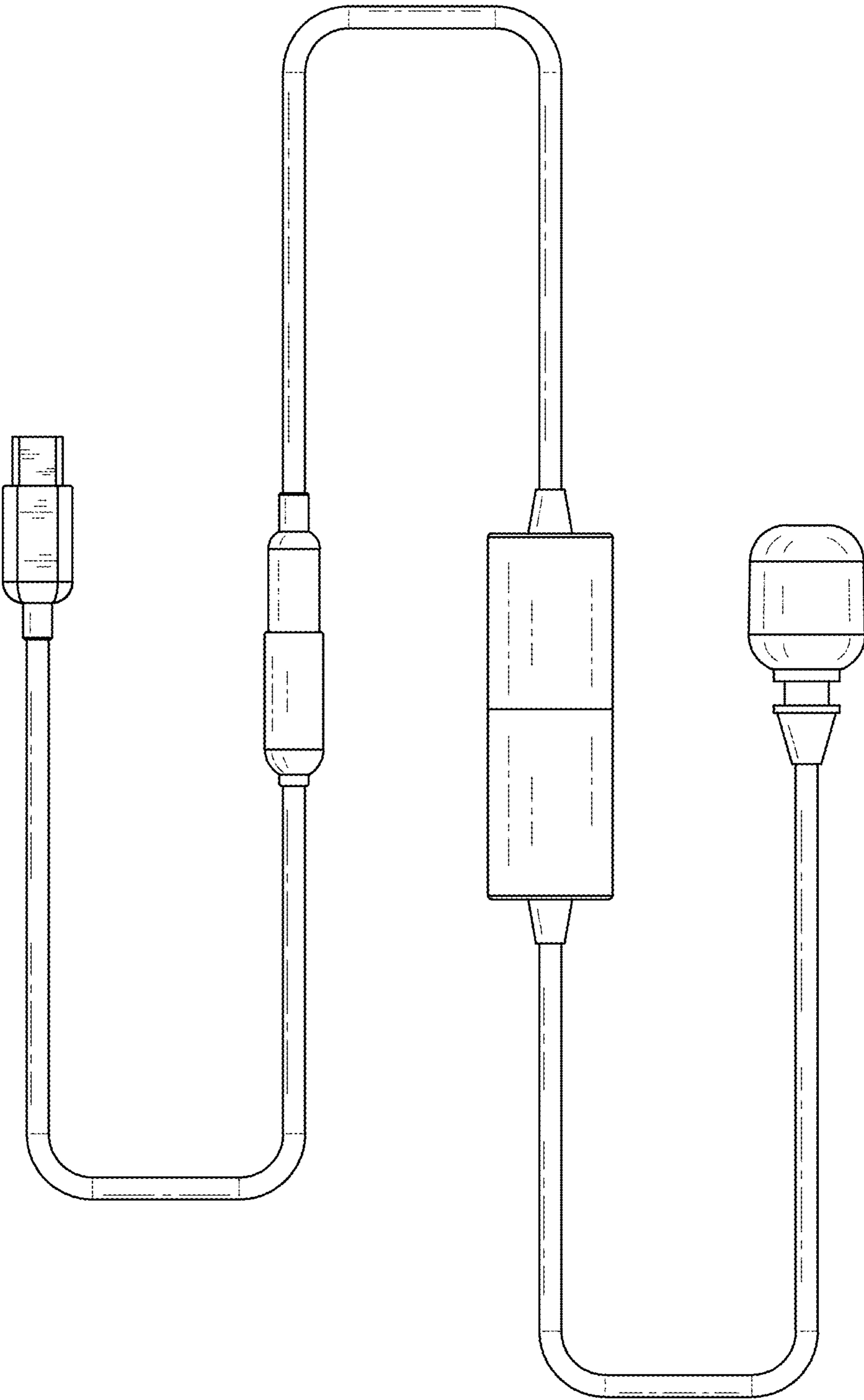


FIG. 16