



US00D831003S

(12) **United States Design Patent** (10) **Patent No.:** **US D831,003 S**
Suzuki (45) **Date of Patent:** **** Oct. 16, 2018**

(54) **CONNECTABLE SIGNAL PROCESSING DEVICE**

(71) Applicant: **YAMAHA CORPORATION**,
Hamamatsu-shi (JP)

(72) Inventor: **Toshihide Suzuki**, Hamamatsu (JP)

(73) Assignee: **YAMAHA CORPORATION**,
Hamamatsu-shi, Shizuoka (JP)

(**) Term: **15 Years**

(21) Appl. No.: **29/617,648**

(22) Filed: **Sep. 15, 2017**

(30) **Foreign Application Priority Data**

Mar. 28, 2017 (JP) 2017-006337

(51) **LOC (11) Cl.** **14-03**

(52) **U.S. Cl.**
USPC **D14/217**

(58) **Field of Classification Search**
USPC D14/217, 257, 258, 434, 496, 162, 167,
D14/175, 188, 196-198; D13/158, 119,
D13/162, 168, 174, 177, 182
CPC G06F 1/1626; G06F 1/1688; G10H 1/46;
G10H 1/0008; G10H 1/0025; G10H
3/186; G10H 2210/125; G10H 2240/131;
G10H 2240/175; G10H 2250/035; G10L
19/008; G10L 19/167; H03G 3/00; H03G
3/04; H03G 3/3005; H03G 3/3089; H03G
5/00; H03G 5/005; H03G 5/025; H03G
9/18; G11B 19/02; G11B 20/10527;
G11B 27/00; G11B 27/34; G11B 27/031;
G11B 27/034; G11B 27/038; G11B
27/105; G11B 33/025; H04H 3/186;
H04H 60/04; H04H 60/05; H04H 60/91;
H04R 3/00; H04R 3/005; H04R 5/04;
H04R 2205/021; H04R 2499/11

See application file for complete search history.

(56) **References Cited**

U.S. PATENT DOCUMENTS

D237,390	S	*	10/1975	Norris	D14/217
D244,214	S	*	5/1977	Ross	D14/217
D244,215	S	*	5/1977	Ross	D14/217
D250,025	S	*	10/1978	Stout	D14/217
4,334,492	A	*	6/1982	Klingler	G05G 1/10 116/309
D456,012	S	*	4/2002	Pratt	D13/171
D531,117	S	*	10/2006	Schrick	D13/103
D553,620	S	*	10/2007	Schroeder	D14/217
D562,317	S	*	2/2008	Lagerberg	D14/217
D578,513	S	*	10/2008	Mazur	D14/168
D612,338	S	*	3/2010	Wieberdink	D13/168
D630,616	S	*	1/2011	Vex	D14/217

(Continued)

Primary Examiner — Ian Simmons

Assistant Examiner — Khawaja Anwar

(74) *Attorney, Agent, or Firm* — Sughrue Mion, PLLC

(57) **CLAIM**

The ornamental design for a connectable signal processing device, as shown and described.

DESCRIPTION

FIG. 1 is a perspective view of the front, top and right side of a connectable signal processing device showing my new design;

FIG. 2 is a front view thereof;

FIG. 3 is a rear view thereof;

FIG. 4 is a left side view thereof;

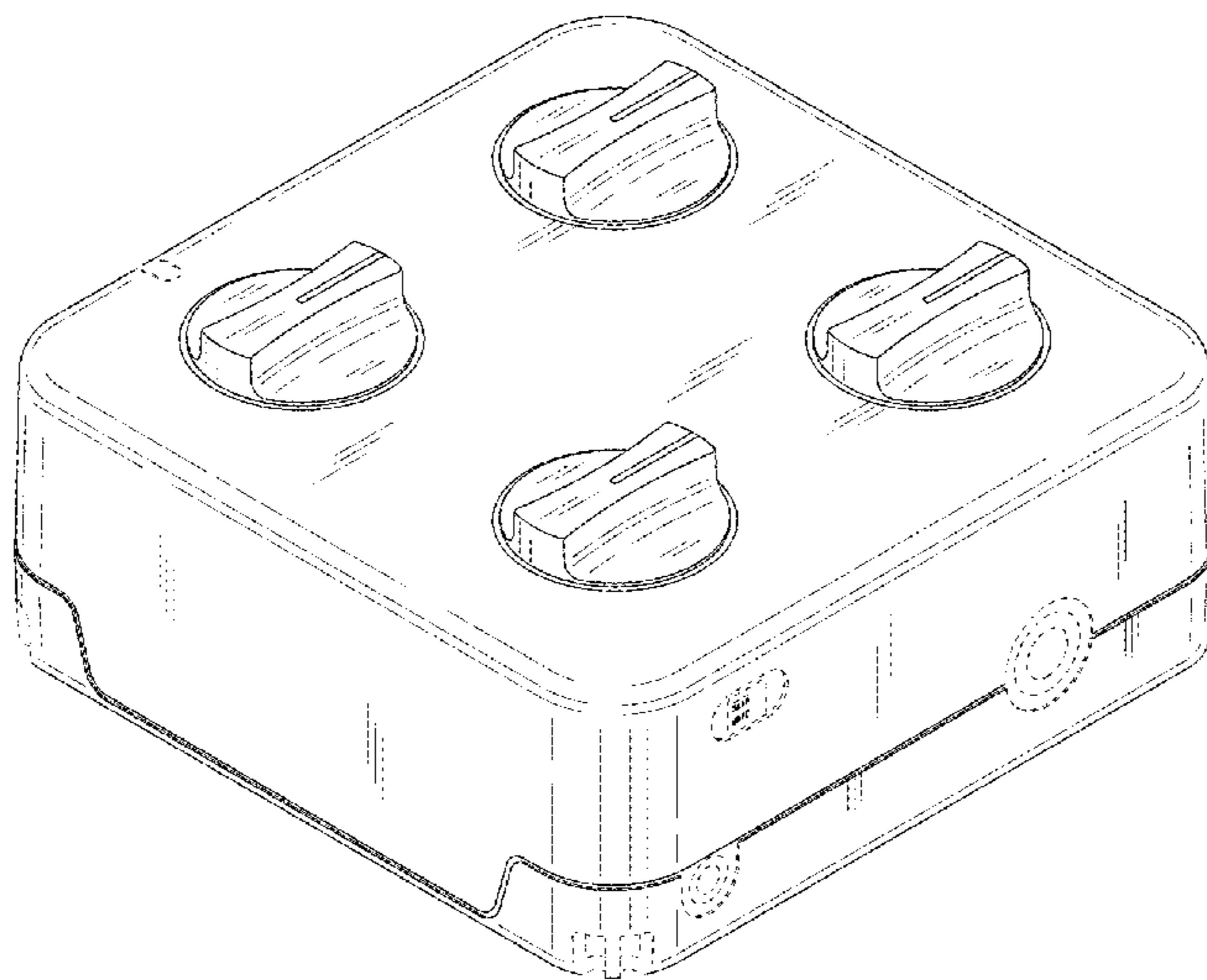
FIG. 5 is a right side view thereof;

FIG. 6 is a top plan view thereof; and,

FIG. 7 is a bottom view thereof.

The broken line showing of the connectable signal processing device is included for the purpose of illustrating unclaimed portions of the connectable signal processing device and forms no part of the claimed design.

1 Claim, 5 Drawing Sheets



(56)

References Cited

U.S. PATENT DOCUMENTS

D677,247 S	*	3/2013	Iijima	D14/217
D723,005 S	*	2/2015	Ohashi	D13/163
D740,234 S	*	10/2015	Johannessen	D13/119
D750,598 S	*	3/2016	Alexander	D14/217

* cited by examiner

Fig. 1

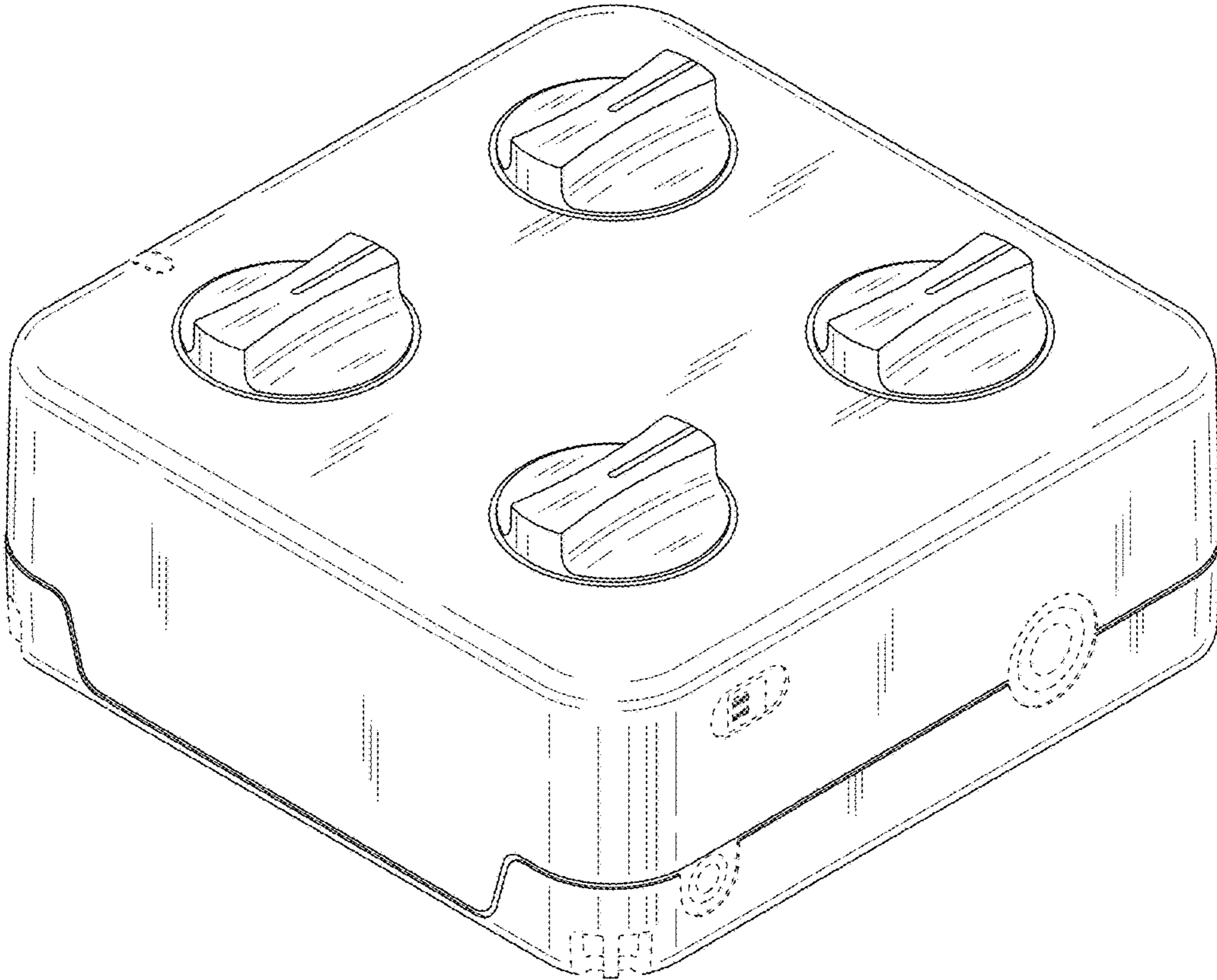


Fig. 2

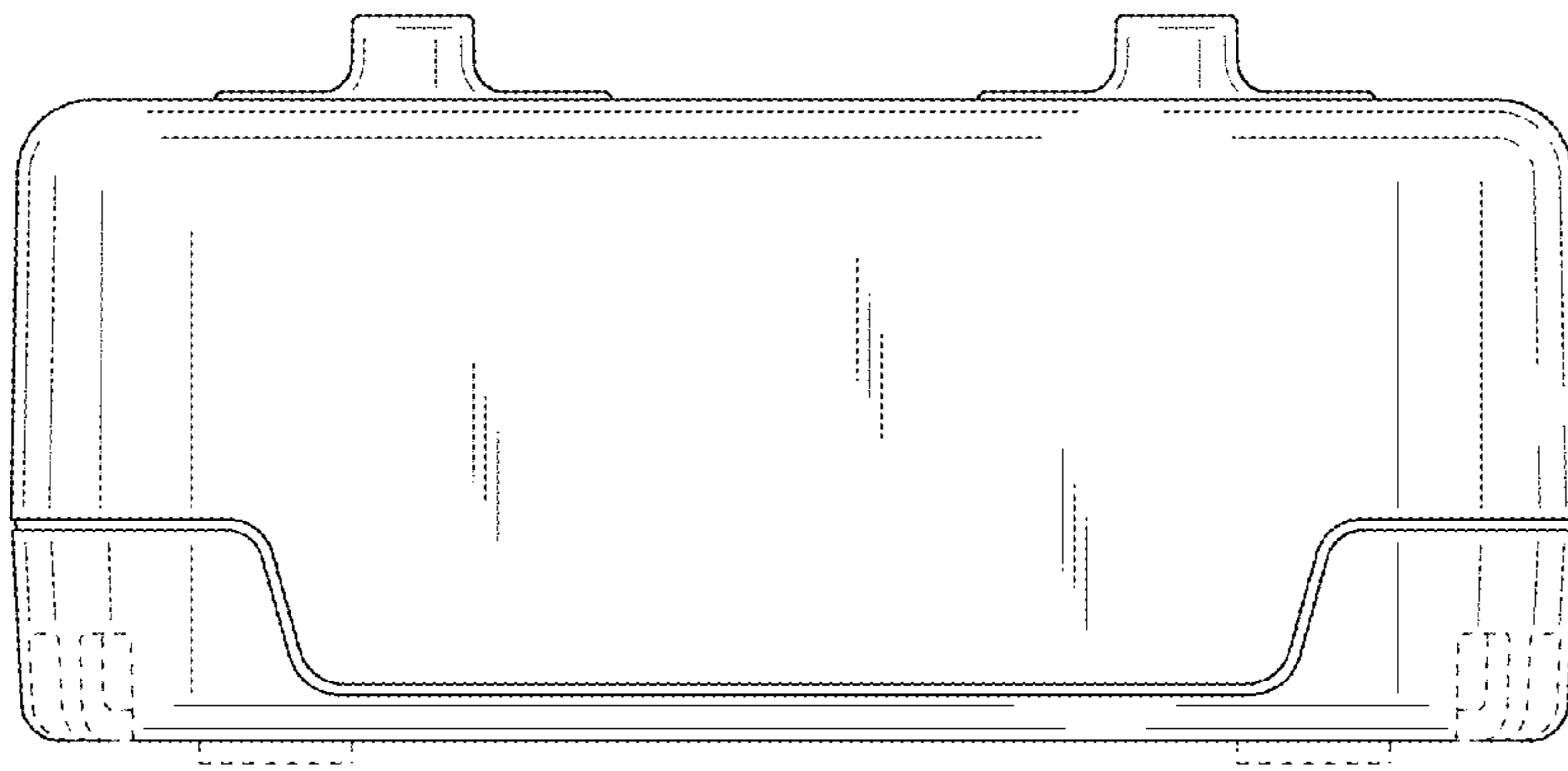


Fig. 3

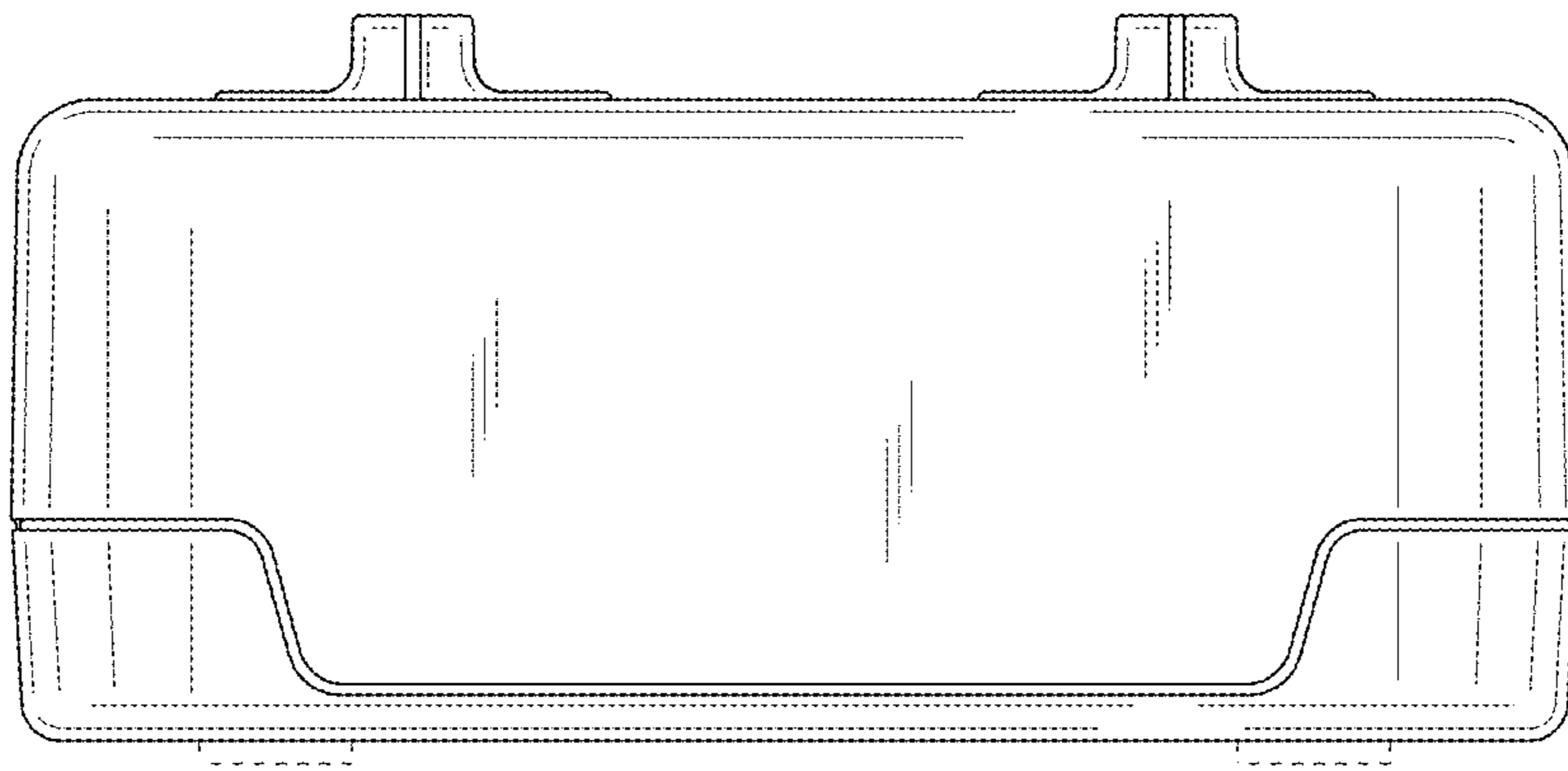


Fig. 4

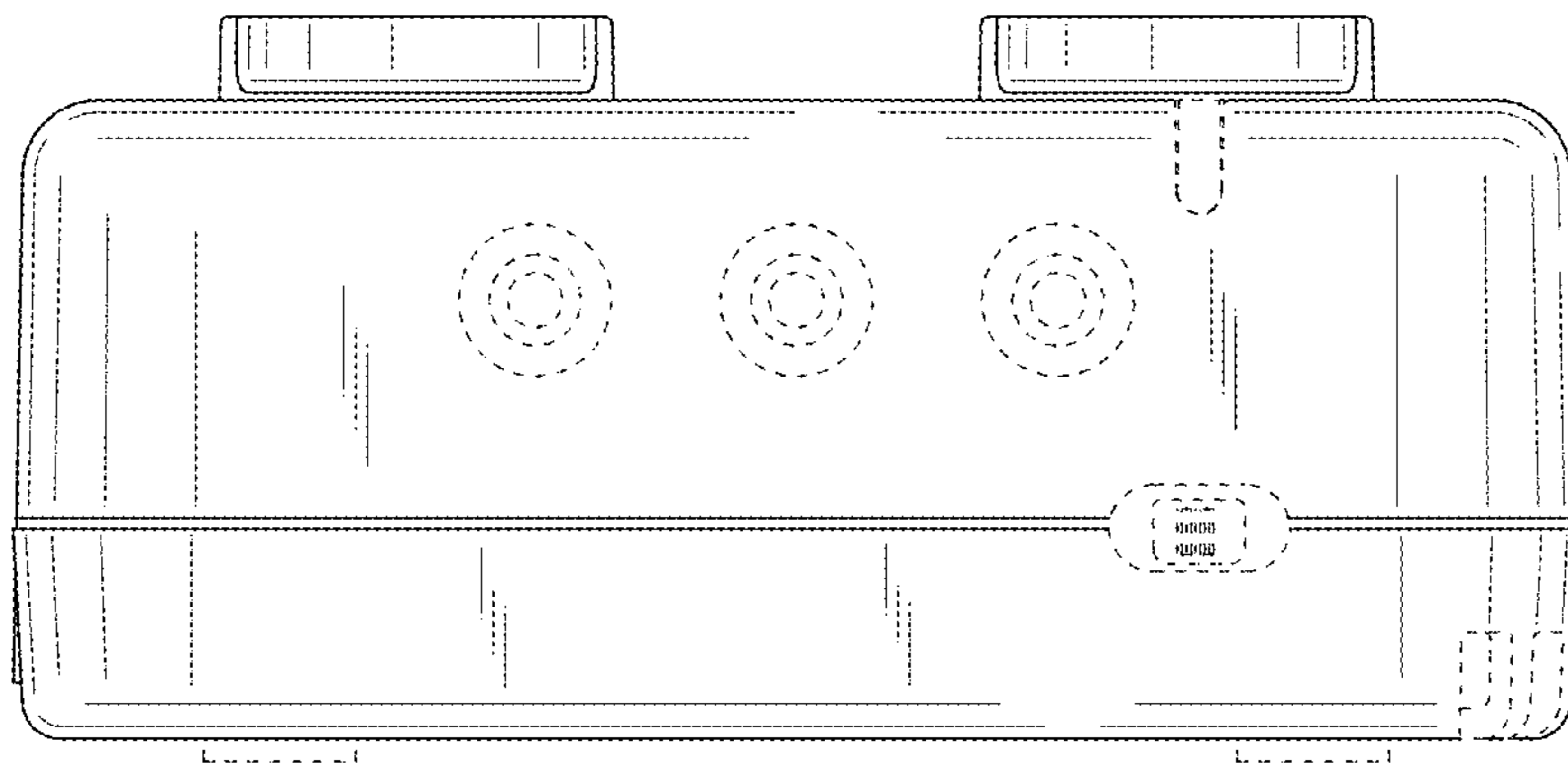


Fig. 5

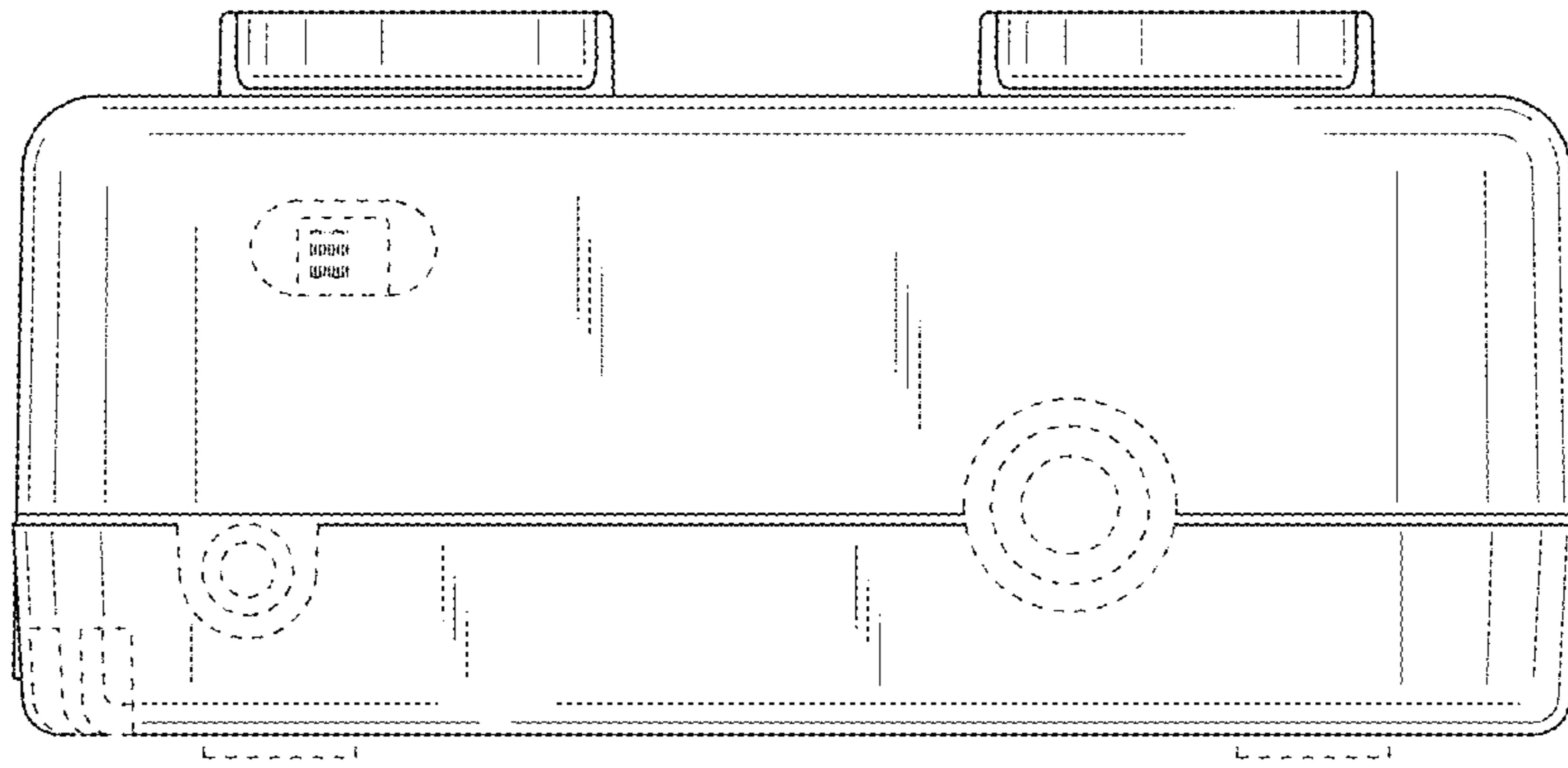


Fig. 6

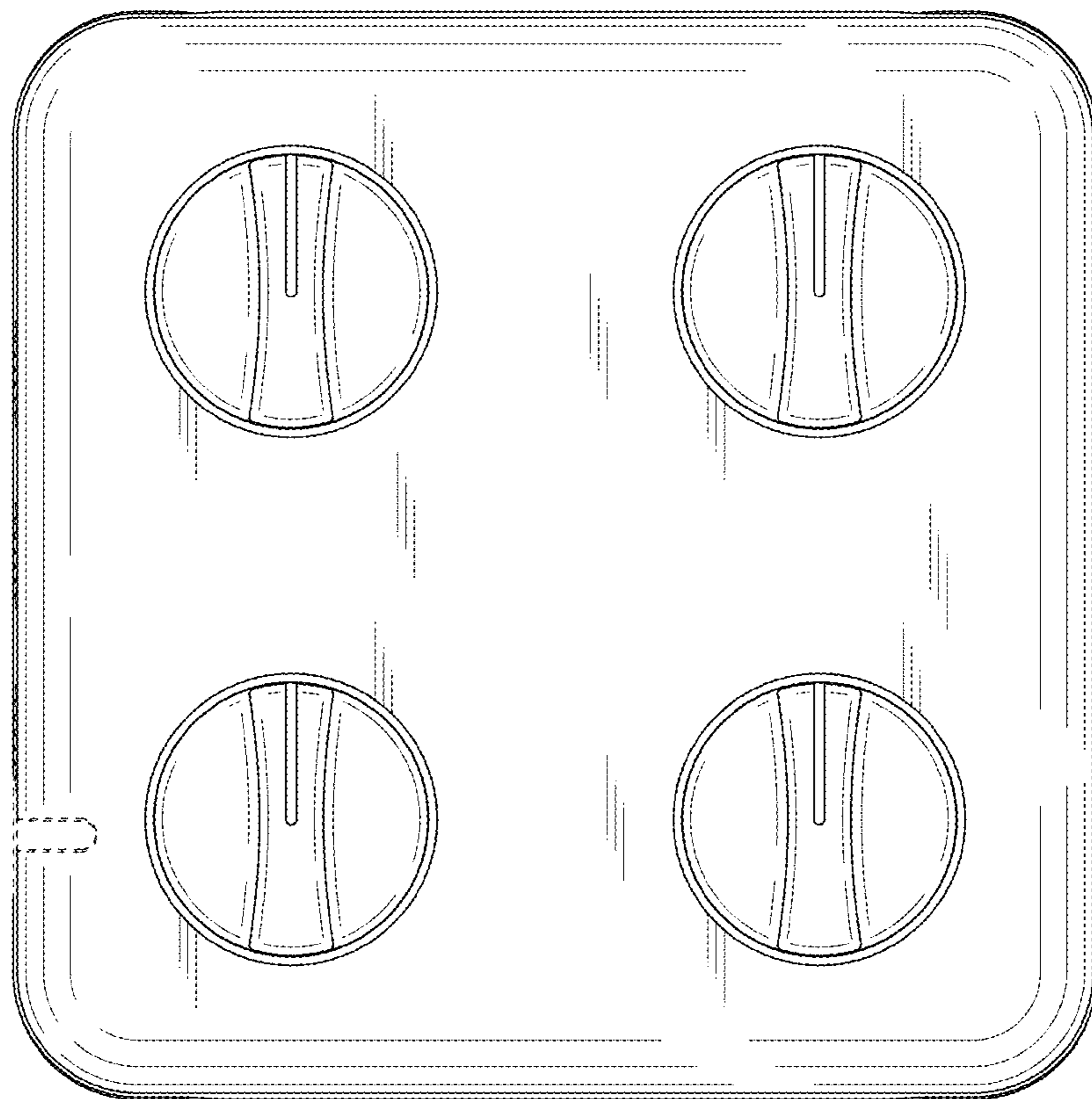


Fig. 7

