



US00D831002S

(12) **United States Design Patent** (10) **Patent No.:** **US D831,002 S**  
**Distefano et al.** (45) **Date of Patent:** **\*\* Oct. 16, 2018**

(54) **LOUDSPEAKER**

(71) Applicant: **Harman International Industries, Incorporated**, Northridge, CA (US)

(72) Inventors: **Dario Distefano**, Shenzhen (CN); **Joshua Fischer**, Shenzhen (CN); **Rafal Czaniecki**, Shenzhen (CN)

(73) Assignee: **Harman International Industries, Incorporated**, Northridge, CA (US)

(\*\*) Term: **15 Years**

(21) Appl. No.: **29/589,271**

(22) Filed: **Dec. 29, 2016**

(51) **LOC (11) Cl.** ..... **14-03**

(52) **U.S. Cl.**  
USPC ..... **D14/216**

(58) **Field of Classification Search**  
USPC ..... D14/167, 168, 170-172, 188, 194-196, D14/204, 209.1, 210-216, 219, 221, 222, D14/224, 239, 496  
CPC ..... B60R 11/0217; G06F 1/1688; G10K 9/22; G10K 11/004; H03F 1/327; H04M 1/03; H04M 1/035; H04N 5/642; H04N 21/4852; H04R 1/02; H04R 1/06; H04R 1/021; H04R 1/025; H04R 1/026; H04R 1/028; H04R 1/105; H04R 1/323; H04R 1/403; H04R 1/2803; H04R 1/2834; H04R 5/02; H04R 7/20; H04R 9/06; H04R 9/025; H04R 2201/021; H04R 2400/00; H04R 2400/07; H04R 2499/11; H04R 2499/13; H04R 2499/15; H04S 3/00; H04S 7/30

See application file for complete search history.

(56) **References Cited**

U.S. PATENT DOCUMENTS

|              |         |            |       |         |
|--------------|---------|------------|-------|---------|
| D616,862 S * | 6/2010  | Kung       | ..... | D14/188 |
| D722,595 S * | 2/2015  | Mackiewicz | ..... | D14/216 |
| D726,686 S * | 4/2015  | Yoon       | ..... | D14/216 |
| D750,597 S * | 3/2016  | Fischer    | ..... | D14/216 |
| D759,632 S * | 6/2016  | Fischer    | ..... | D14/204 |
| D798,268 S * | 9/2017  | Fang       | ..... | D14/216 |
| D800,699 S * | 10/2017 | Fischer    | ..... | D14/216 |

\* cited by examiner

*Primary Examiner* — Keli L Hill

(74) *Attorney, Agent, or Firm* — Plumsea Law Group, LLC

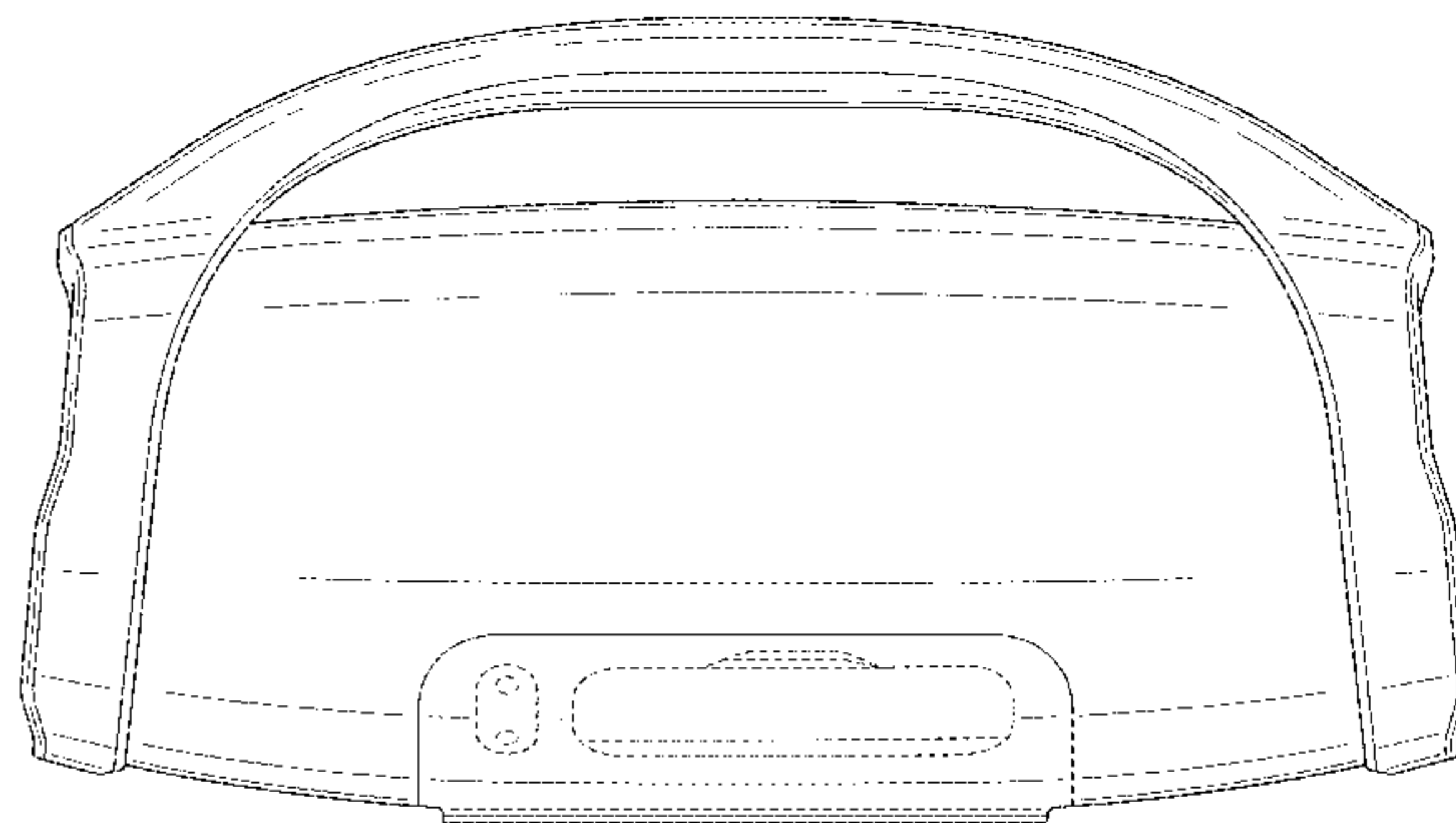
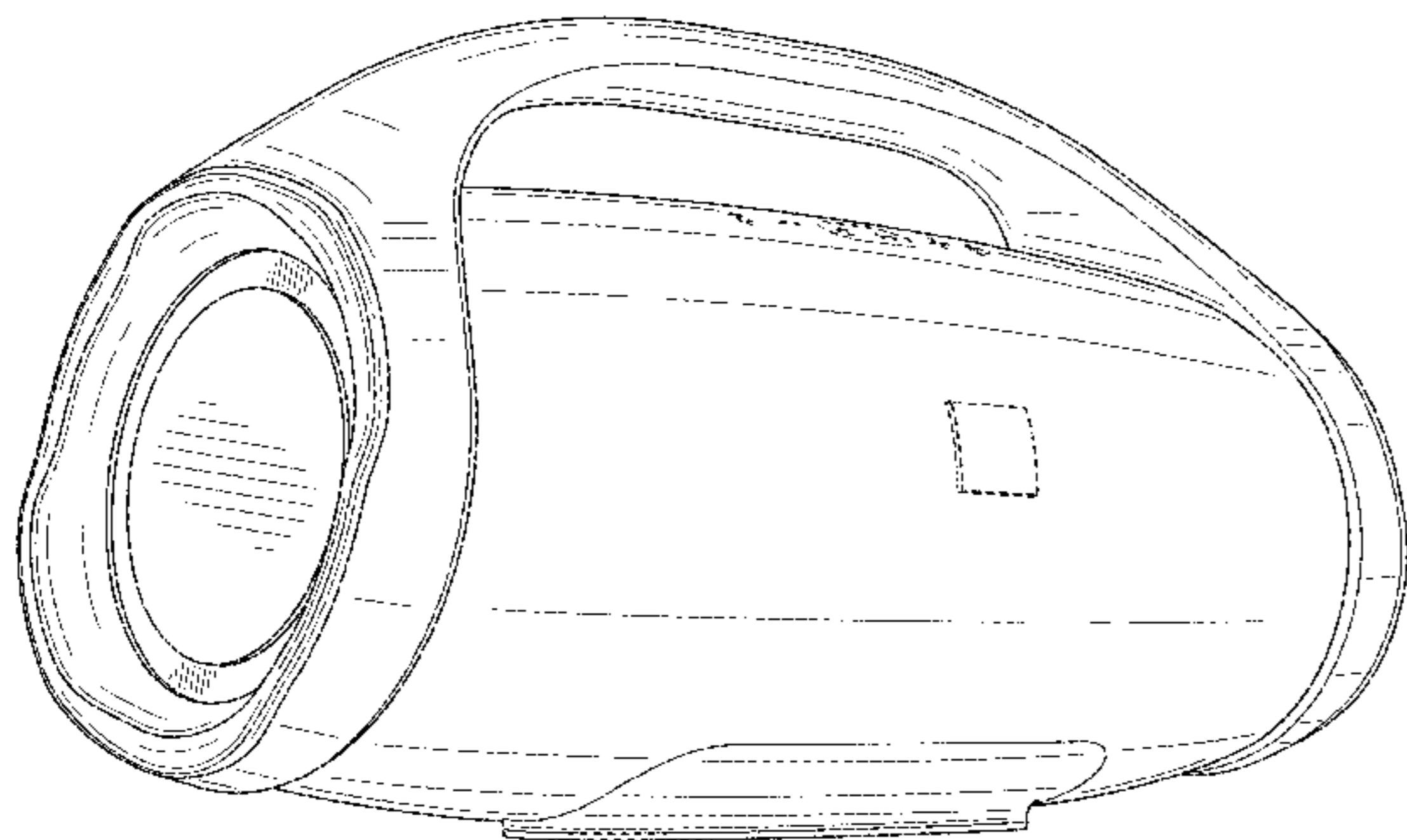
(57) **CLAIM**

The ornamental design for a loudspeaker, as shown and described.

**DESCRIPTION**

FIG. 1 is a perspective view of a loudspeaker showing our new design;  
FIG. 2 is a front elevation view of the loudspeaker of FIG. 1;  
FIG. 3 is a rear elevation view of the loudspeaker of FIG. 1;  
FIG. 4 is a side elevation view of one side of the loudspeaker of FIG. 1;  
FIG. 5 is a side elevational view of the opposite side of the loudspeaker of FIG. 1;  
FIG. 6 is a top plan view of the loudspeaker of FIG. 1; and,  
FIG. 7 is a bottom plan view of the loudspeaker of FIG. 1.  
The broken line showings form no part of the claimed design.

**1 Claim, 7 Drawing Sheets**



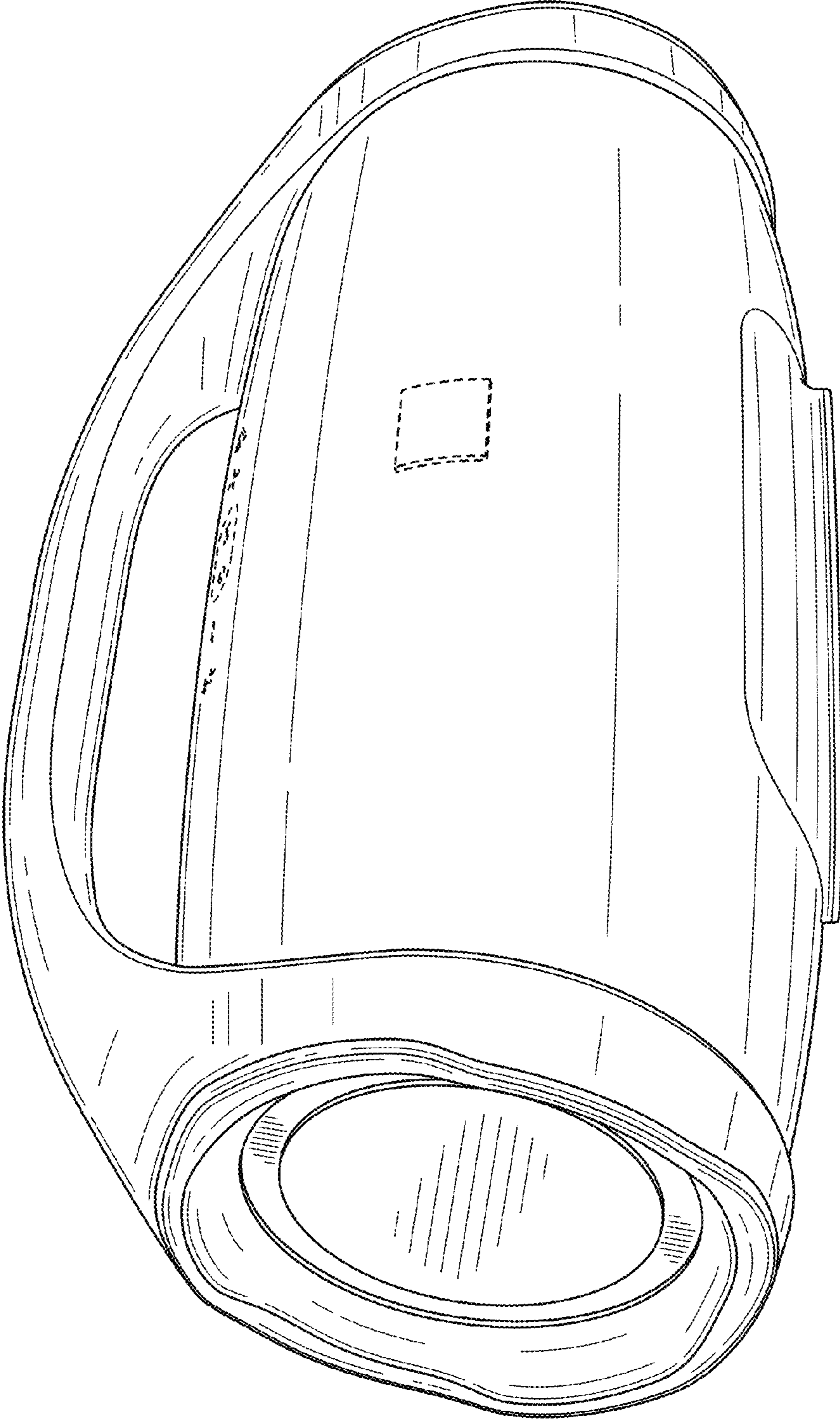


FIG. 1

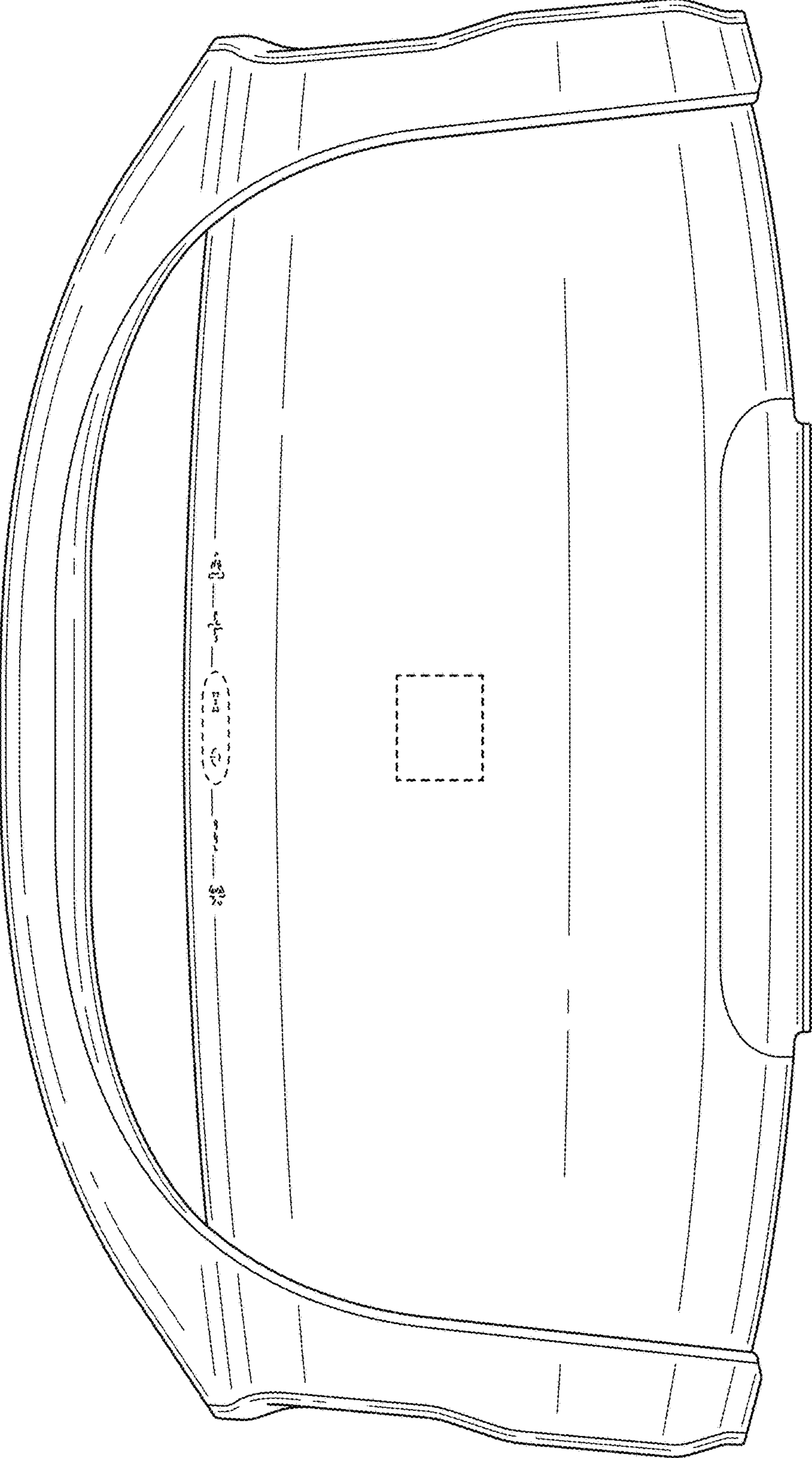


FIG. 2



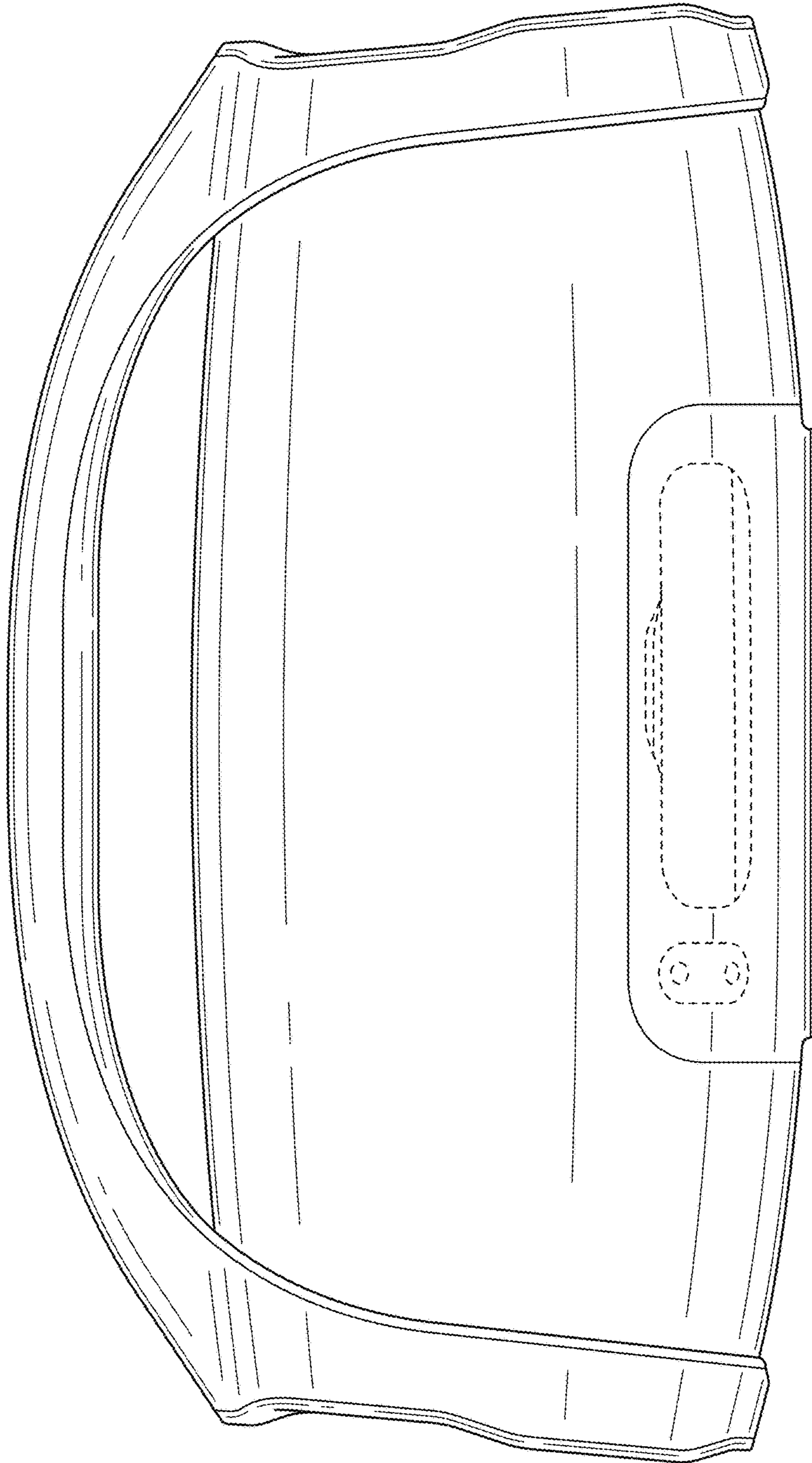
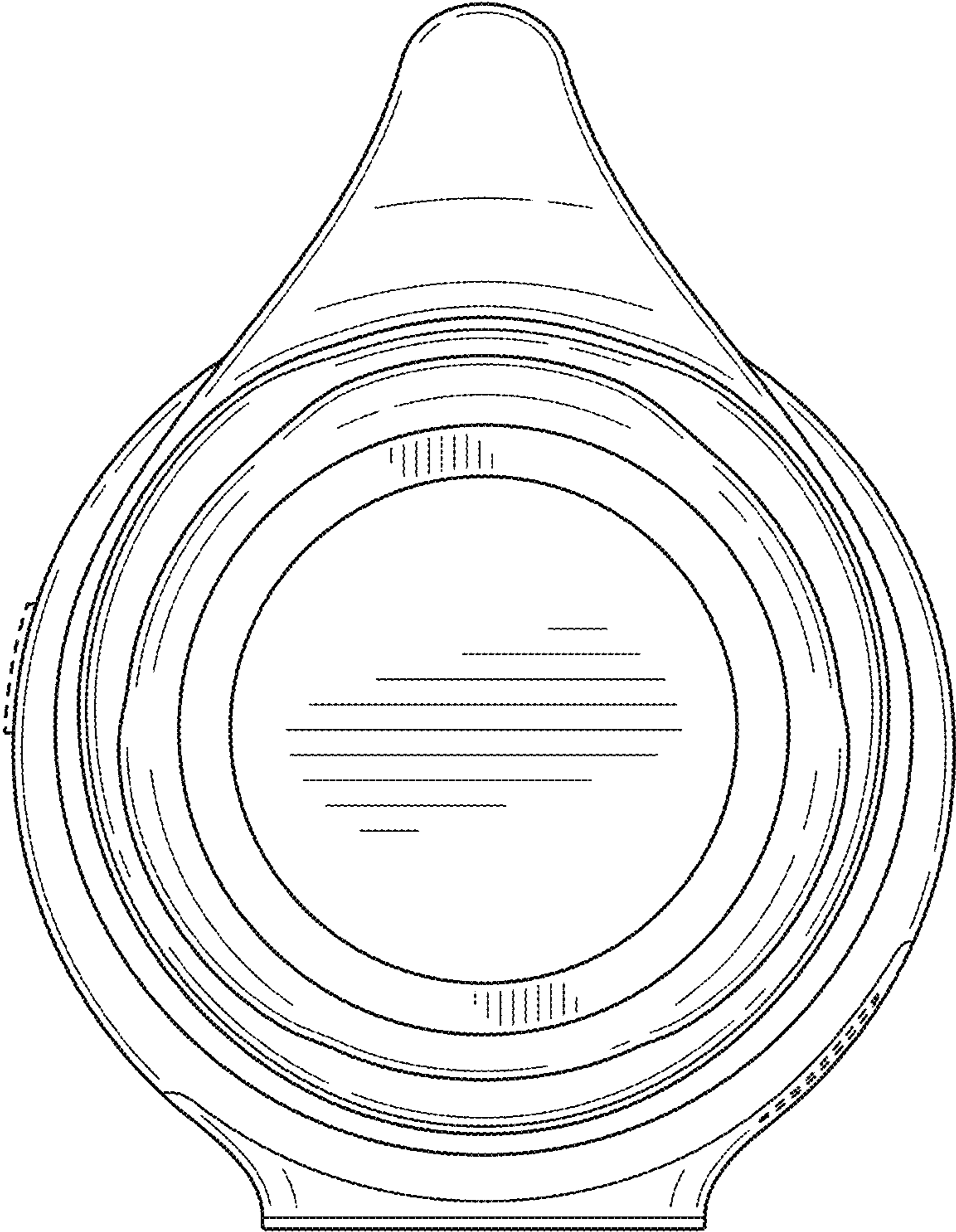
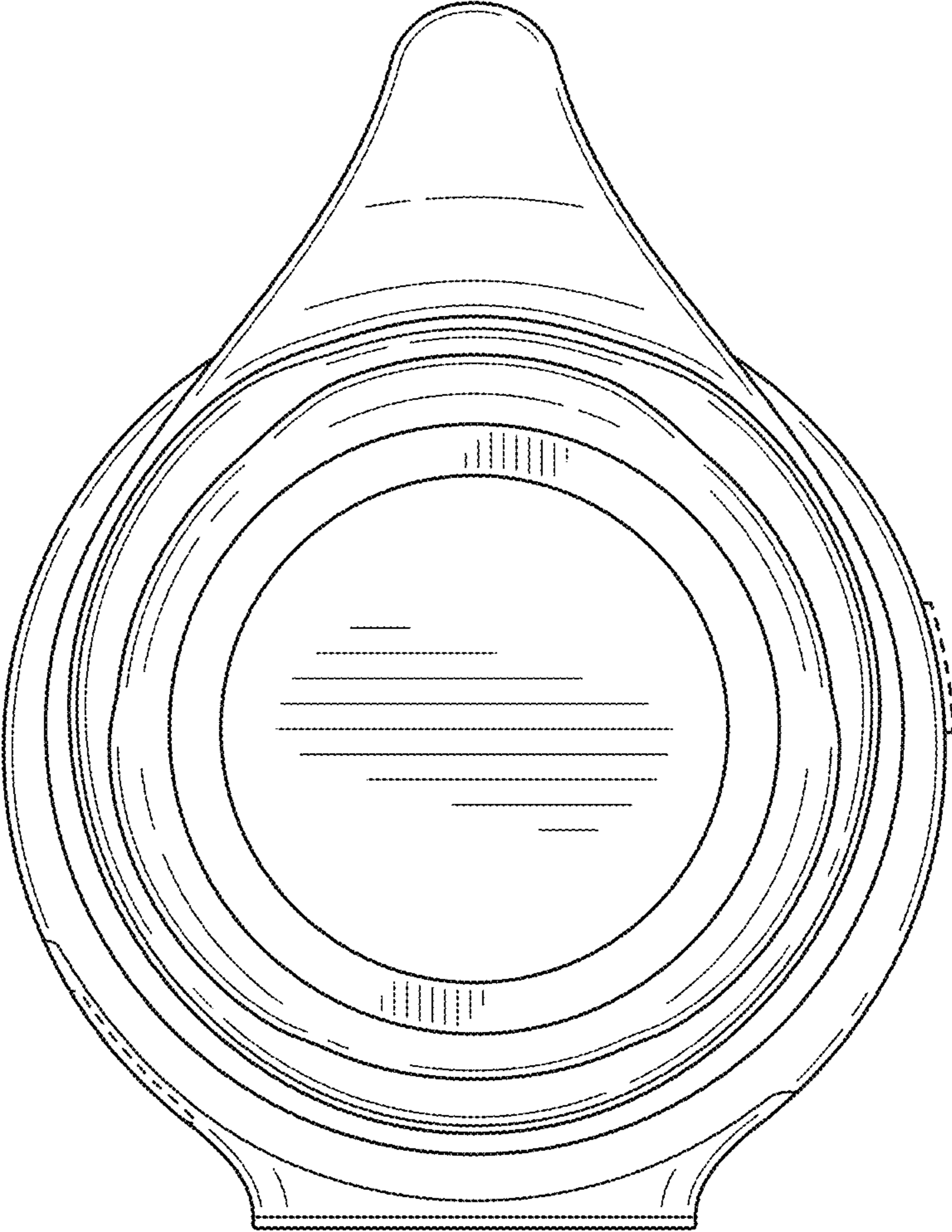


FIG. 3



**FIG. 4**



**FIG. 5**

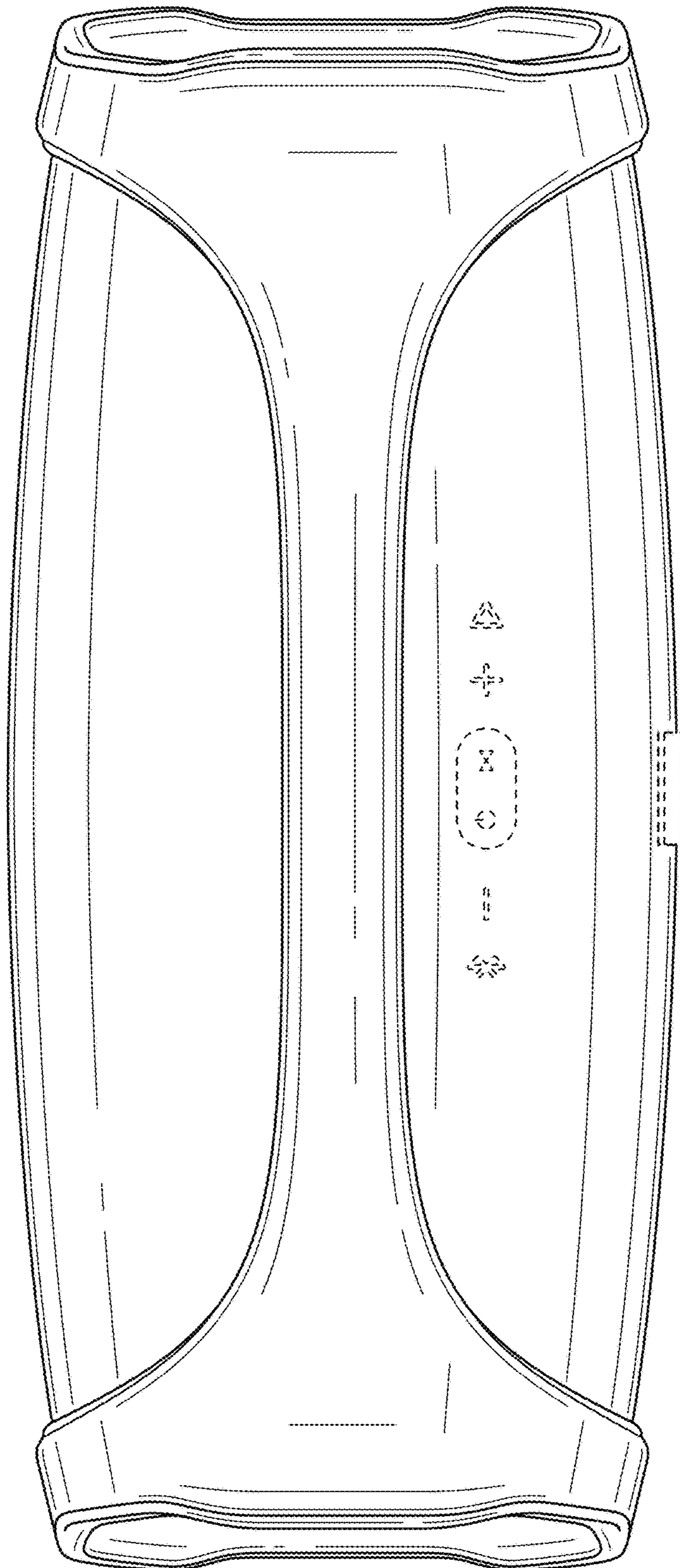


FIG. 6



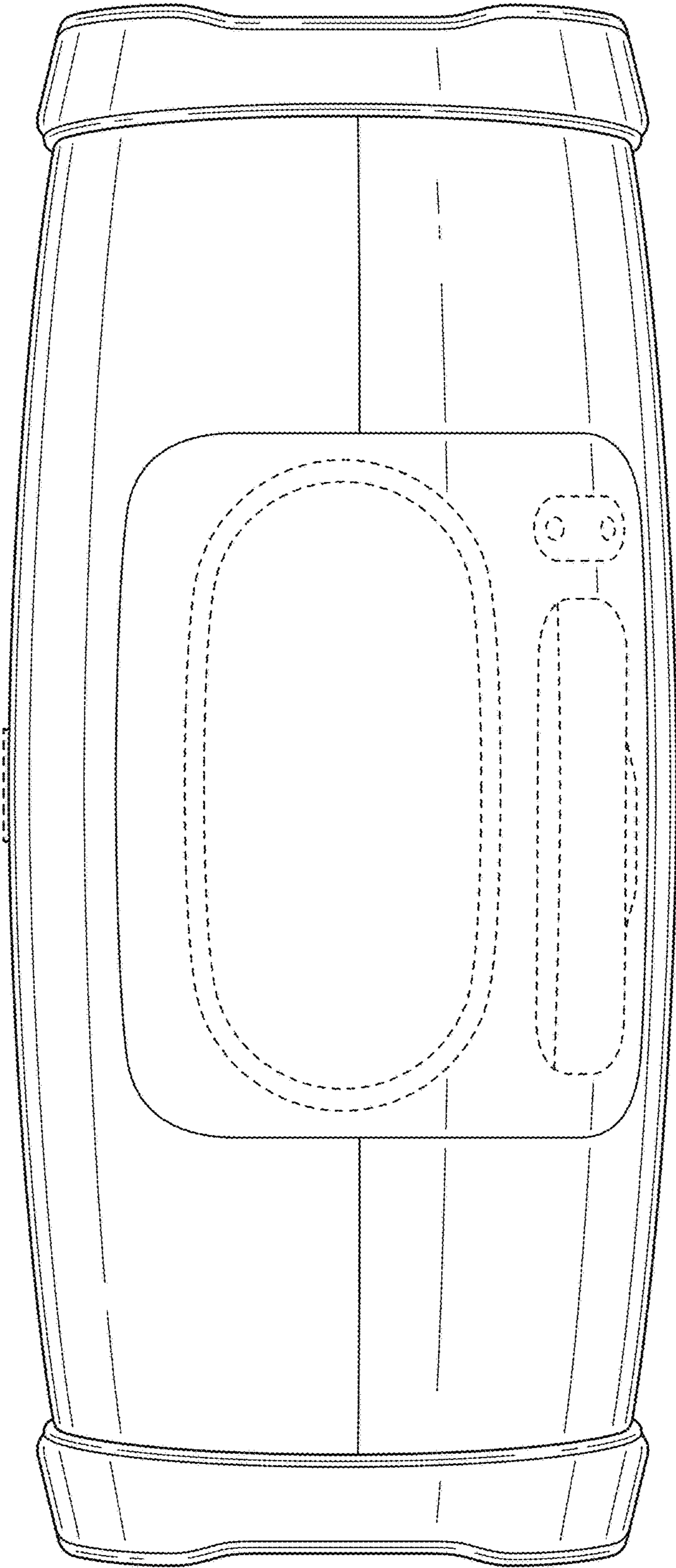


FIG. 7