



US00D831001S

(12) **United States Design Patent**
Sugiura

(10) **Patent No.:** **US D831,001 S**

(45) **Date of Patent:** **** Oct. 16, 2018**

(54) **SPEAKER**

(71) Applicant: **YAMAHA CORPORATION**,
Hamamatsu-shi, Shizuoka (JP)

(72) Inventor: **Yoshihisa Sugiura**, Buena Park, CA
(US)

(73) Assignee: **YAMAHA CORPORATION**,
Hamamatsu-shi, Shizuoka (JP)

(**) Term: **15 Years**

(21) Appl. No.: **29/604,226**

(22) Filed: **May 16, 2017**

(51) **LOC (11) Cl.** **14-01**

(52) **U.S. Cl.**
USPC **D14/214**

(58) **Field of Classification Search**
USPC D14/168, 188, 194, 195, 196, 204, 210,
D14/211, 212, 213, 214, 215, 216
CPC B60R 11/0217; G06F 1/1688; G10K 9/22;
G10K 11/004; H03F 1/327; H04M 1/03;
H04M 1/035; H04N 5/642; H04N
21/4852; H04S 3/00; H04S 7/30; H04R
1/02; H04R 1/06; H04R 1/021; H04R
1/025; H04R 1/026; H04R 1/028; H04R
1/105; H04R 1/323; H04R 1/403; H04R
1/2803; H04R 1/2834; H04R 5/02; H04R
7/20; H04R 9/06; H04R 9/025; H04R
2201/021; H04R 2400/00; H04R 2400/07;
H04R 2499/11; H04R 2499/13; H04R
2499/15

See application file for complete search history.

(56) **References Cited**

U.S. PATENT DOCUMENTS

3,159,719 A * 12/1964 Weiss H04R 17/00
181/158
4,411,187 A * 10/1983 Roper G10D 13/08
84/402

D310,349 S * 9/1990 Rowen D13/168
D348,895 S * 7/1994 Ito D17/22
D538,259 S * 3/2007 Okamura D14/172
D553,155 S * 10/2007 Kim D14/496
D678,258 S * 3/2013 Seto D14/240
D708,166 S * 7/2014 Lim D14/209.1
D715,259 S * 10/2014 Han D14/214
D715,768 S * 10/2014 Ryu D14/211
D742,874 S * 11/2015 Cheng D14/344

(Continued)

OTHER PUBLICATIONS

Gadget Review—Best Soundbars 2018, announced Dec. 29, 2017
[online], [site visited Jan. 20, 2018]. Available from internet, URL:
<<http://www.gadgetreview.com/best-soundbar>>.*

(Continued)

Primary Examiner — Keli L Hill

Assistant Examiner — Karra S Johnson

(74) *Attorney, Agent, or Firm* — Sughrue Mion, PLLC

(57) **CLAIM**

The ornamental design for a speaker, as shown and described.

DESCRIPTION

FIG. 1 is a perspective view of the front, top and right side of a speaker showing my new design;

FIG. 2 is a perspective view of the rear, top and left side thereof;

FIG. 3 is a front view thereof;

FIG. 4 is a rear view thereof;

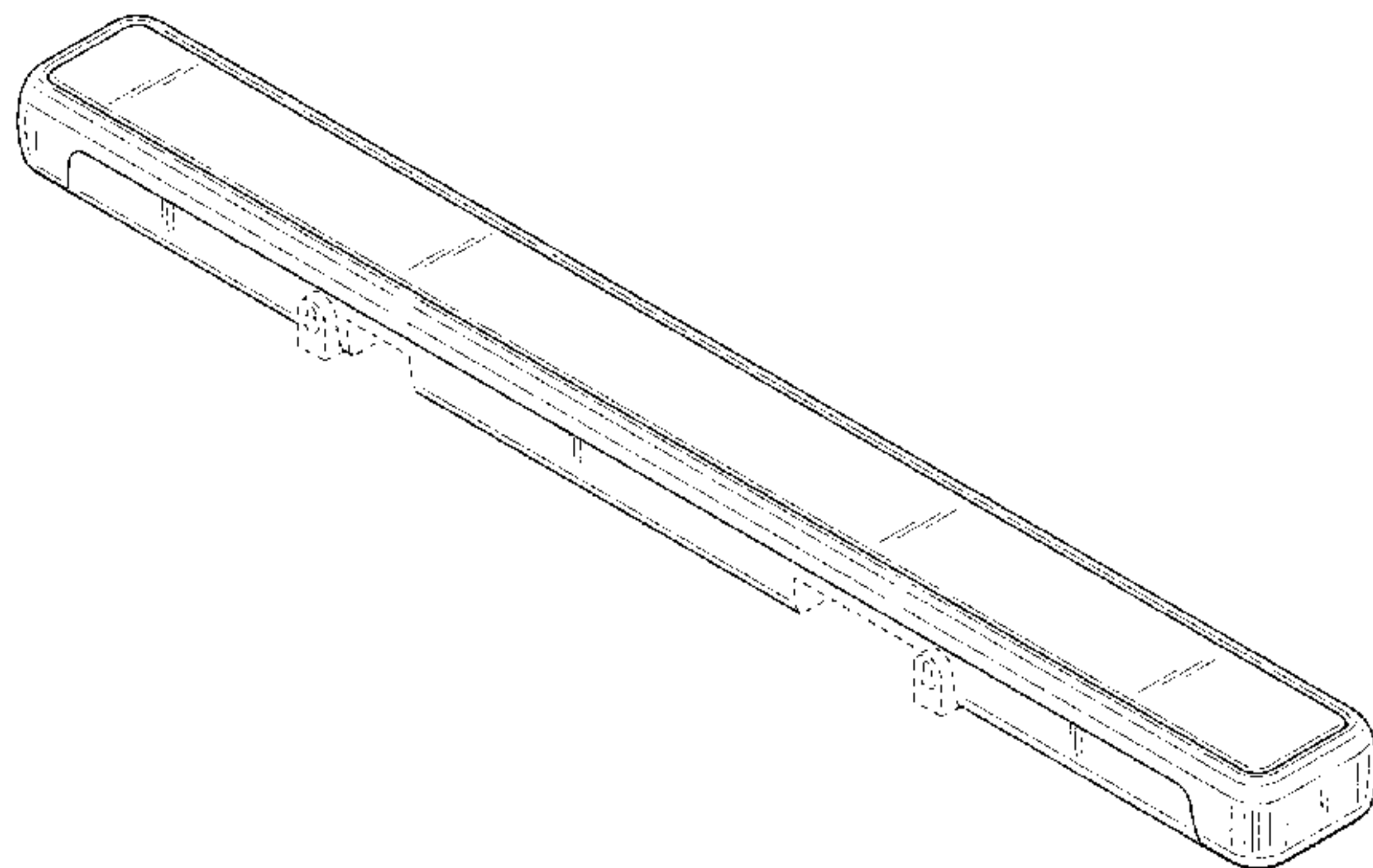
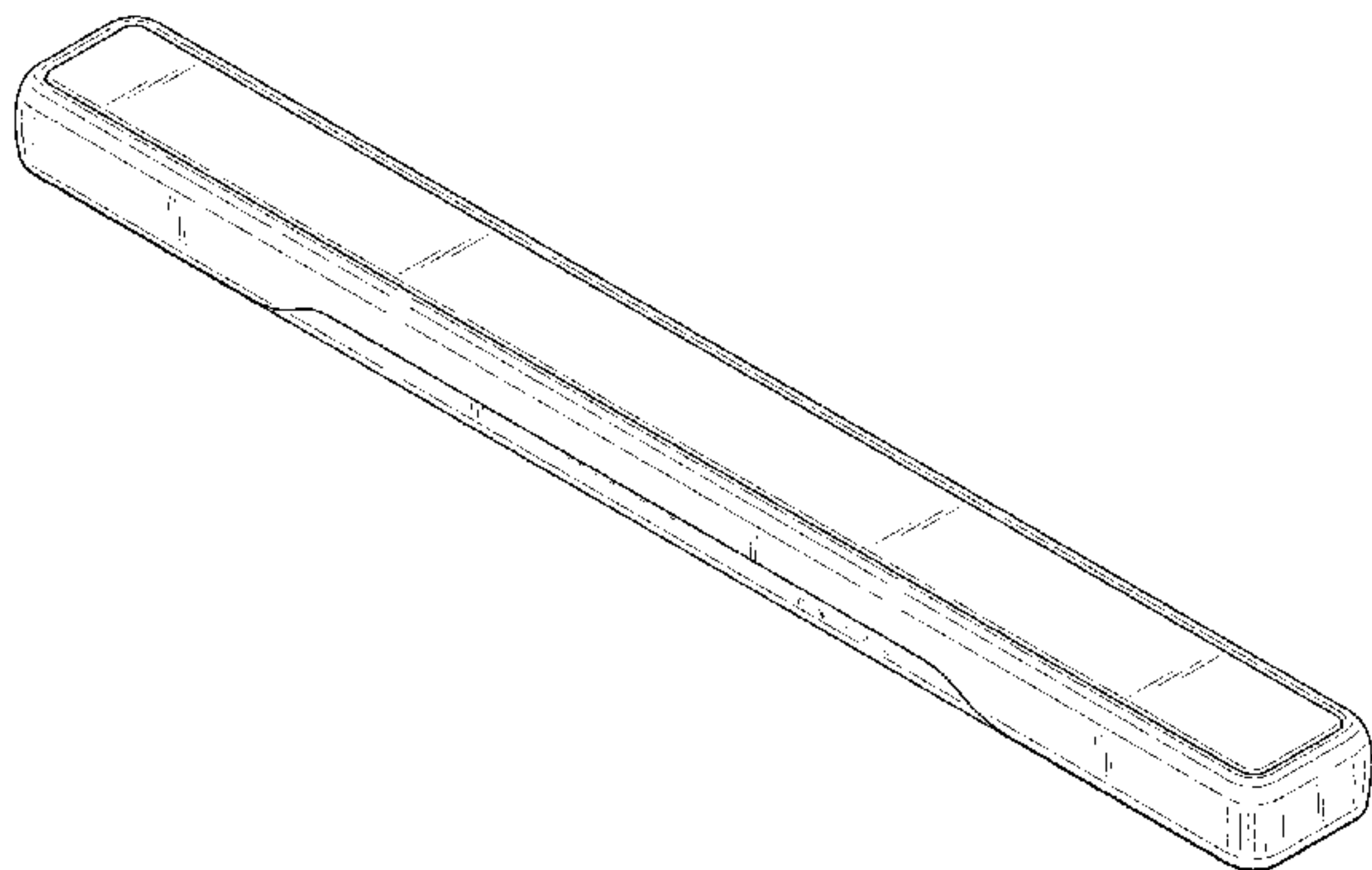
FIG. 5 is a right side view thereof, the left side view is a mirror image of the right side view;

FIG. 6 is a top plan view thereof; and,

FIG. 7 is a bottom view thereof.

The broken lines showing features of the speaker, including two-dimensional surface ornamentation on the speaker's front surface, form no part of the claimed design.

1 Claim, 4 Drawing Sheets



(56)

References Cited

U.S. PATENT DOCUMENTS

D764,440	S	*	8/2016	Xin	D14/214
D766,873	S	*	9/2016	Washio	D14/214
D791,736	S	*	7/2017	Schoolmeester	D14/214
D802,560	S	*	11/2017	Kitazawa	D14/214
D803,174	S	*	11/2017	Coffey	D14/125
D804,447	S	*	12/2017	Yoon	D14/210
D805,498	S	*	12/2017	Jeon	D14/204
D817,308	S	*	5/2018	Sugiura	D14/214
D818,455	S	*	5/2018	McManigal	D14/214

OTHER PUBLICATIONS

Amazon—Yamaha YAS-207BL, announced Jun. 5, 2017 (date first available) [online], [site visited Jan. 20, 2018]. Available from Internet, URL: <<https://www.amazon.com/Yamaha-YAS-207BL-Wireless-Subwoofer-Bluetooth/dp/B072J7PTFB>>.*

* cited by examiner

Fig. 1

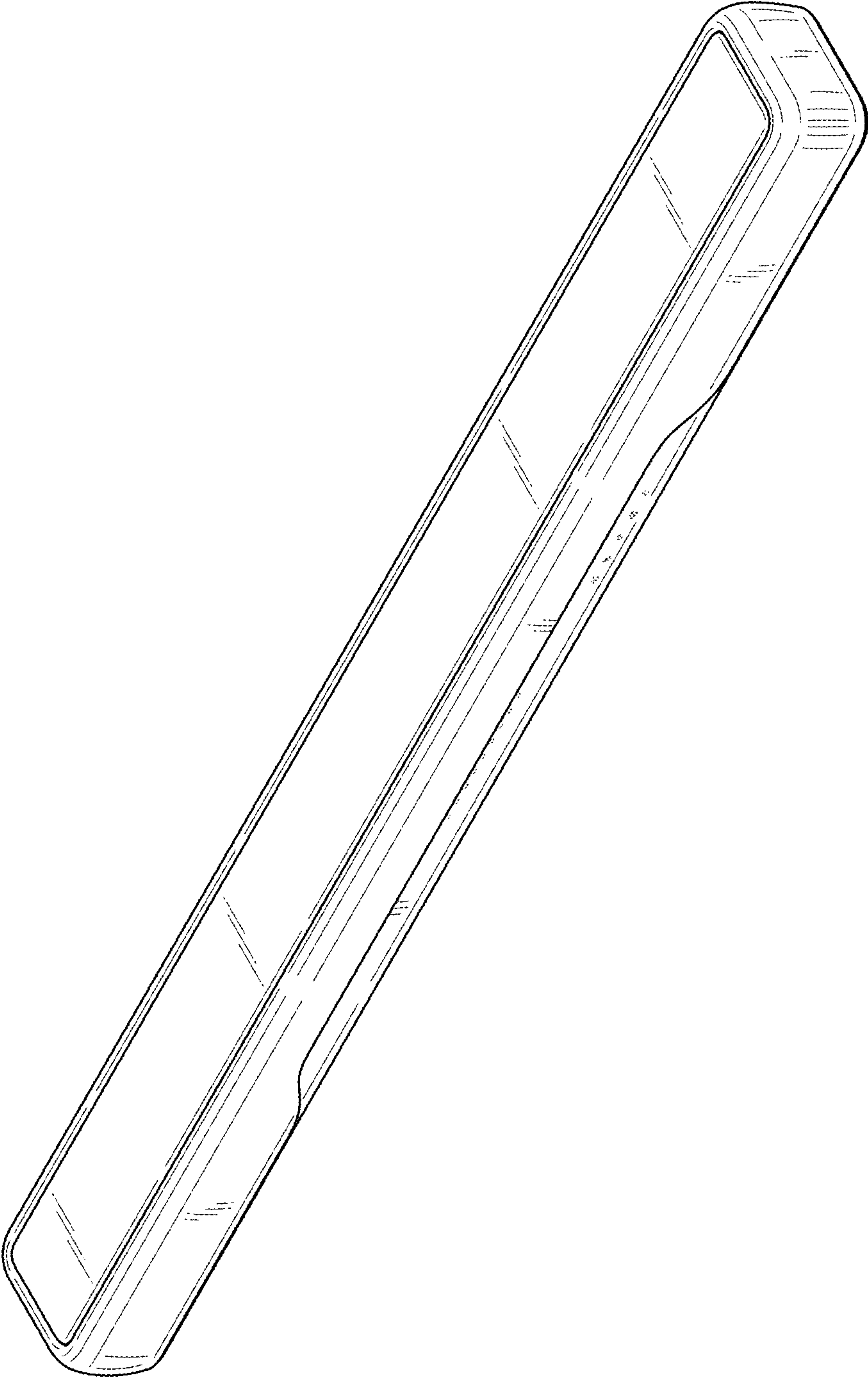


Fig. 2

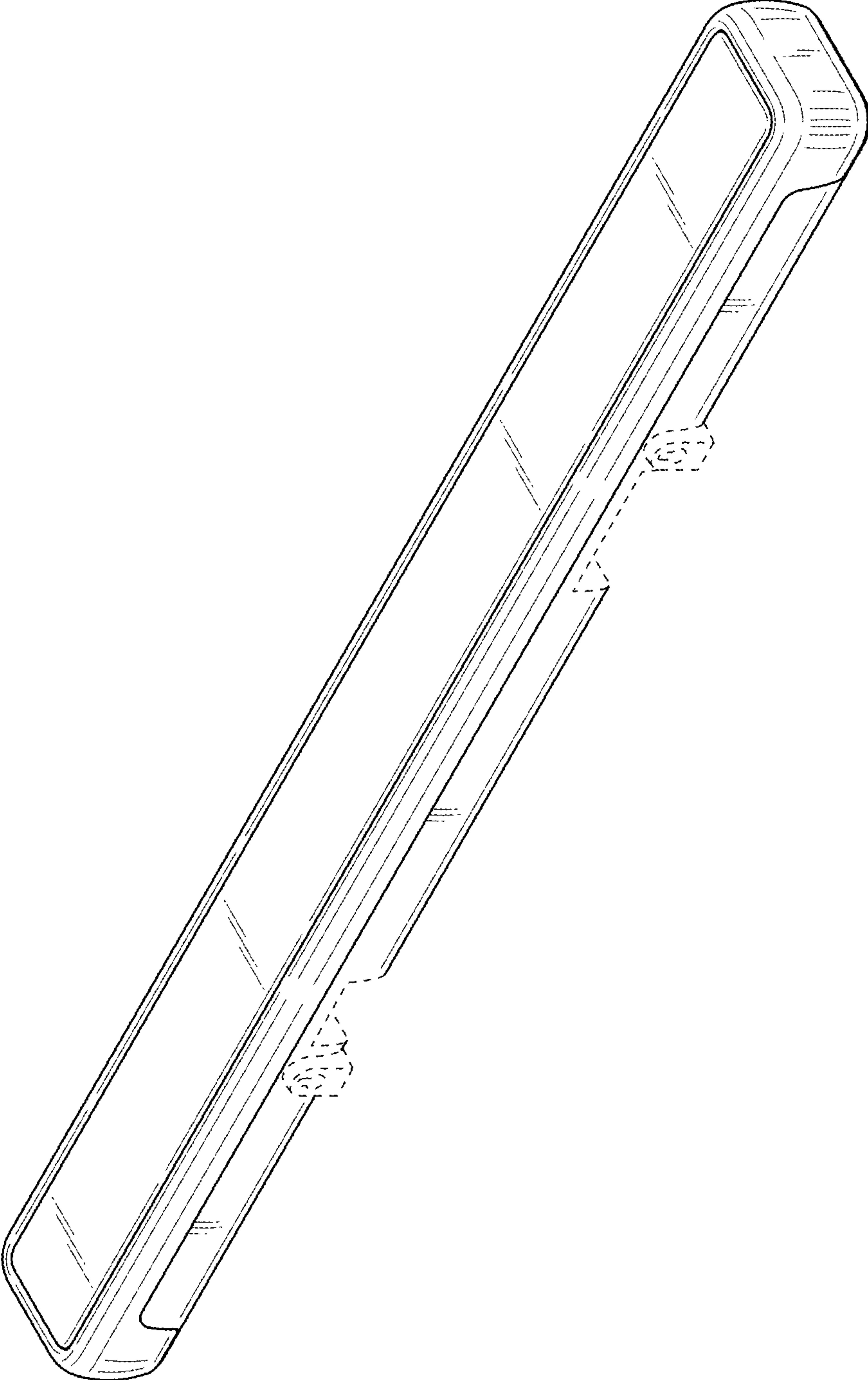


Fig. 3

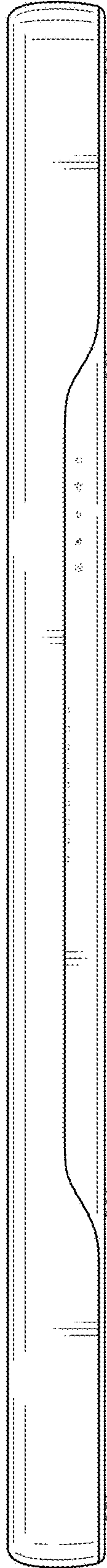


Fig. 4

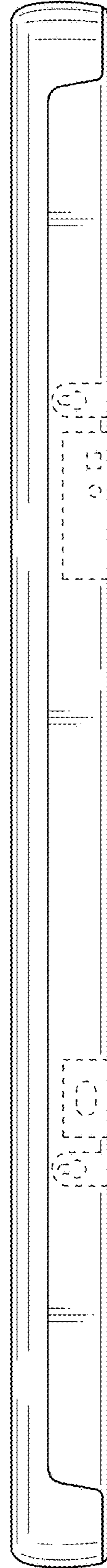


Fig. 5

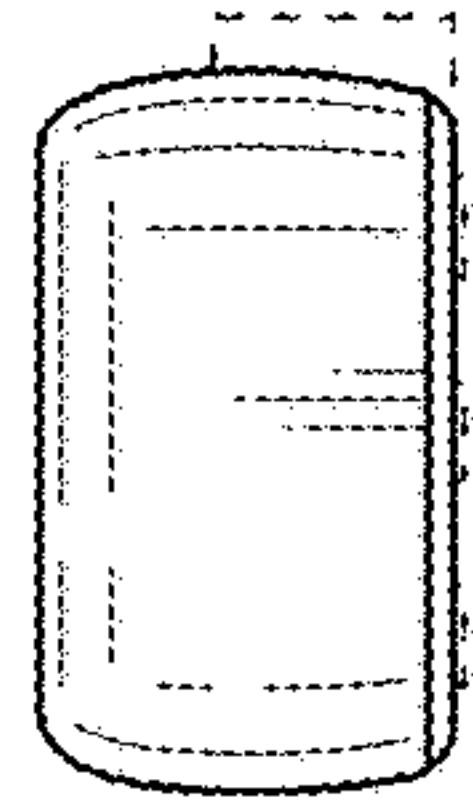


Fig. 6

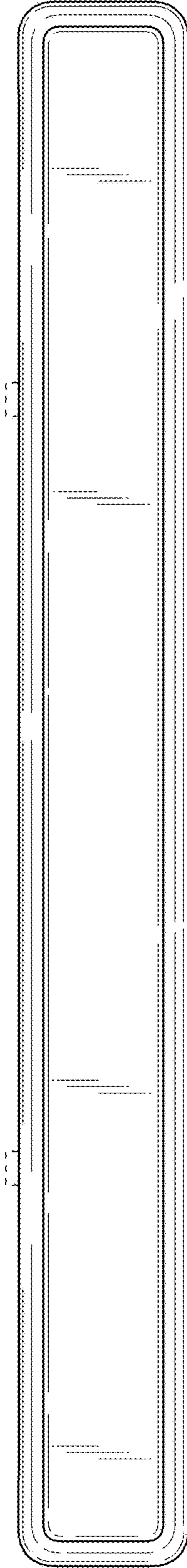


Fig. 7

