



US00D831000S

(12) **United States Design Patent**
Chong

(10) **Patent No.:** **US D831,000 S**

(45) **Date of Patent:** **** Oct. 16, 2018**

- (54) **HEADSET**
- (71) Applicant: **RAZER (ASIA-PACIFIC) PTE. LTD.,**
Singapore (SG)
- (72) Inventor: **Boon Sim Chong,** Singapore (SG)
- (73) Assignee: **RAZER (ASIA-PACIFIC) PTE. LTD.,**
Singapore (SG)
- (**) Term: **15 Years**
- (21) Appl. No.: **29/607,427**
- (22) Filed: **Jun. 13, 2017**
- (51) **LOC (11) Cl.** **14-01**
- (52) **U.S. Cl.**
USPC **D14/206**
- (58) **Field of Classification Search**
USPC D14/206, 205, 225, 226; D29/112;
2/209; 181/129, 130, 135; 379/430, 431;
381/380, 381, 370, 374; 455/90.3, 575.1,
455/569.1
CPC H04R 1/1066; H04R 1/1016; H04R 5/033;
H04R 5/0335; H04R 25/00; H04R 1/02
See application file for complete search history.

- D582,890 S * 12/2008 Koza D14/205
- 7,480,388 B1 * 1/2009 Crook H04R 25/65
381/322
- D603,371 S * 11/2009 Boateng D14/205
- D606,969 S * 12/2009 Semcken D14/205
- D606,970 S * 12/2009 Semcken D14/205
- D617,769 S * 6/2010 Birger D14/205
- D625,705 S * 10/2010 Ohori D14/205
- D632,668 S * 2/2011 Brunner D14/205
- D633,471 S * 3/2011 Sugiyama D14/205
- D634,298 S * 3/2011 Shimizu D14/205
- D635,958 S * 4/2011 Ando D14/205
- D641,725 S * 7/2011 Chong D14/205
- D654,472 S * 2/2012 Fischer D14/206
- 8,139,807 B2 * 3/2012 Reiss H04R 1/1083
381/371
- D657,346 S * 4/2012 Park D14/205
- D662,080 S * 6/2012 Carr D14/205
- D664,116 S * 7/2012 Hutchieson D14/205

(Continued)

Primary Examiner — Paula Allen Greene

(74) *Attorney, Agent, or Firm* — Polsinelli PC

(57) **CLAIM**

I claim the ornamental design for a headset, as shown and described.

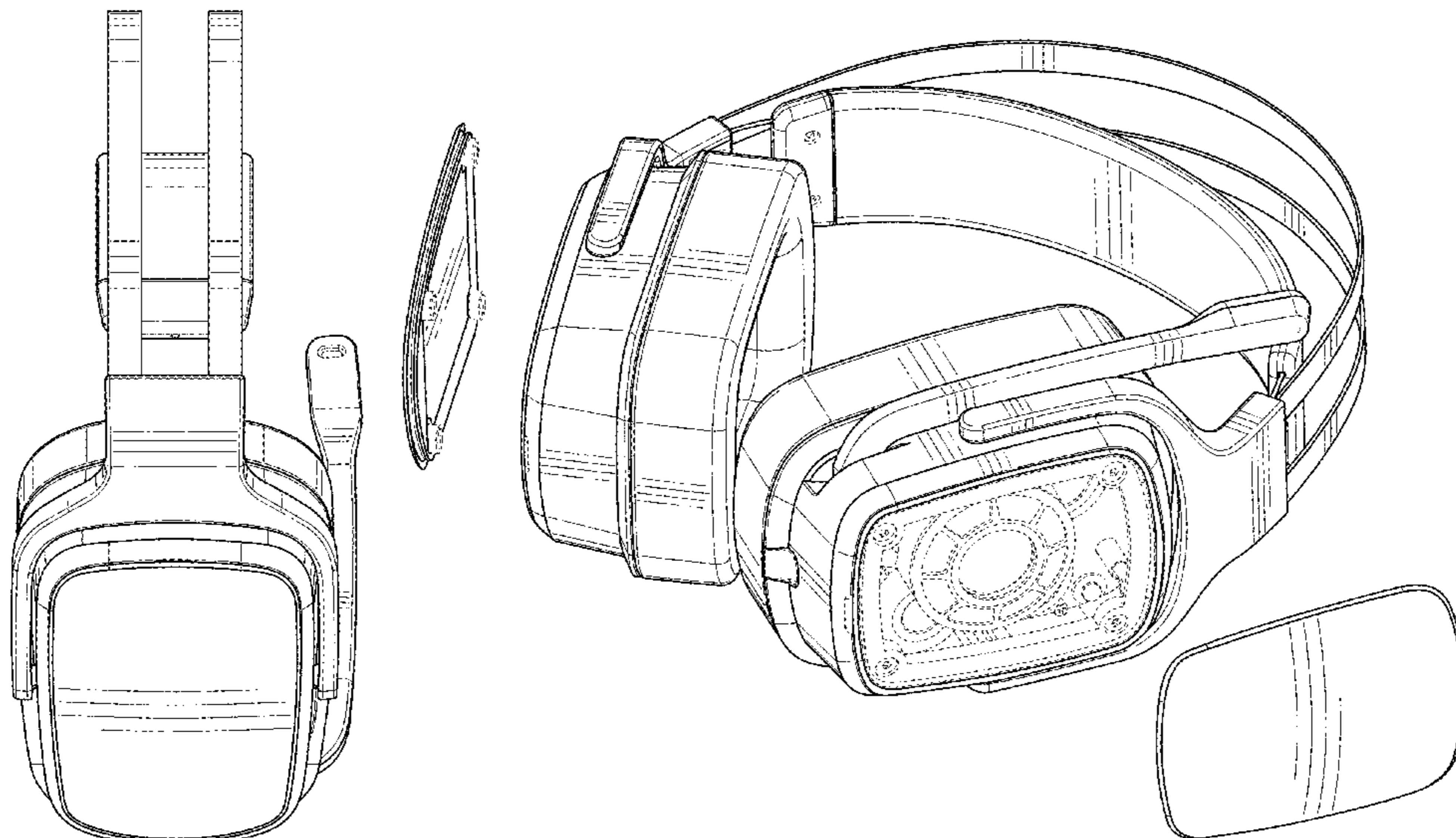
DESCRIPTION

FIG. 1 is a perspective view of an embodiment of a headset, showing my new design;
 FIG. 2 is a front elevational view thereof;
 FIG. 3 is a rear elevational view thereof;
 FIG. 4 is a left side elevational view thereof;
 FIG. 5 is a right side elevational view thereof;
 FIG. 6 is a top plan view thereof;
 FIG. 7 is a bottom plan view thereof; and,
 FIG. 8 is a disassembled or an exploded view thereof showing the covers separate from the body of the headset. Broken lines are for illustrating portions of the headset which form no part of the claimed design.

1 Claim, 8 Drawing Sheets

(56) **References Cited**
U.S. PATENT DOCUMENTS

- D222,361 S * 10/1971 Hart D14/205
- D235,210 S * 5/1975 Hill D14/205
- D292,205 S * 10/1987 Kikutani 381/378
- 4,783,822 A * 11/1988 Toole H04M 1/05
2/209
- D300,133 S * 3/1989 Daidoh D14/205
- D317,767 S * 6/1991 Banks D14/205
- 6,449,806 B1 * 9/2002 Engelhard H04M 1/05
2/209
- 6,724,906 B2 * 4/2004 Naksen H04R 1/1066
381/370
- D534,155 S * 12/2006 Obata D14/205



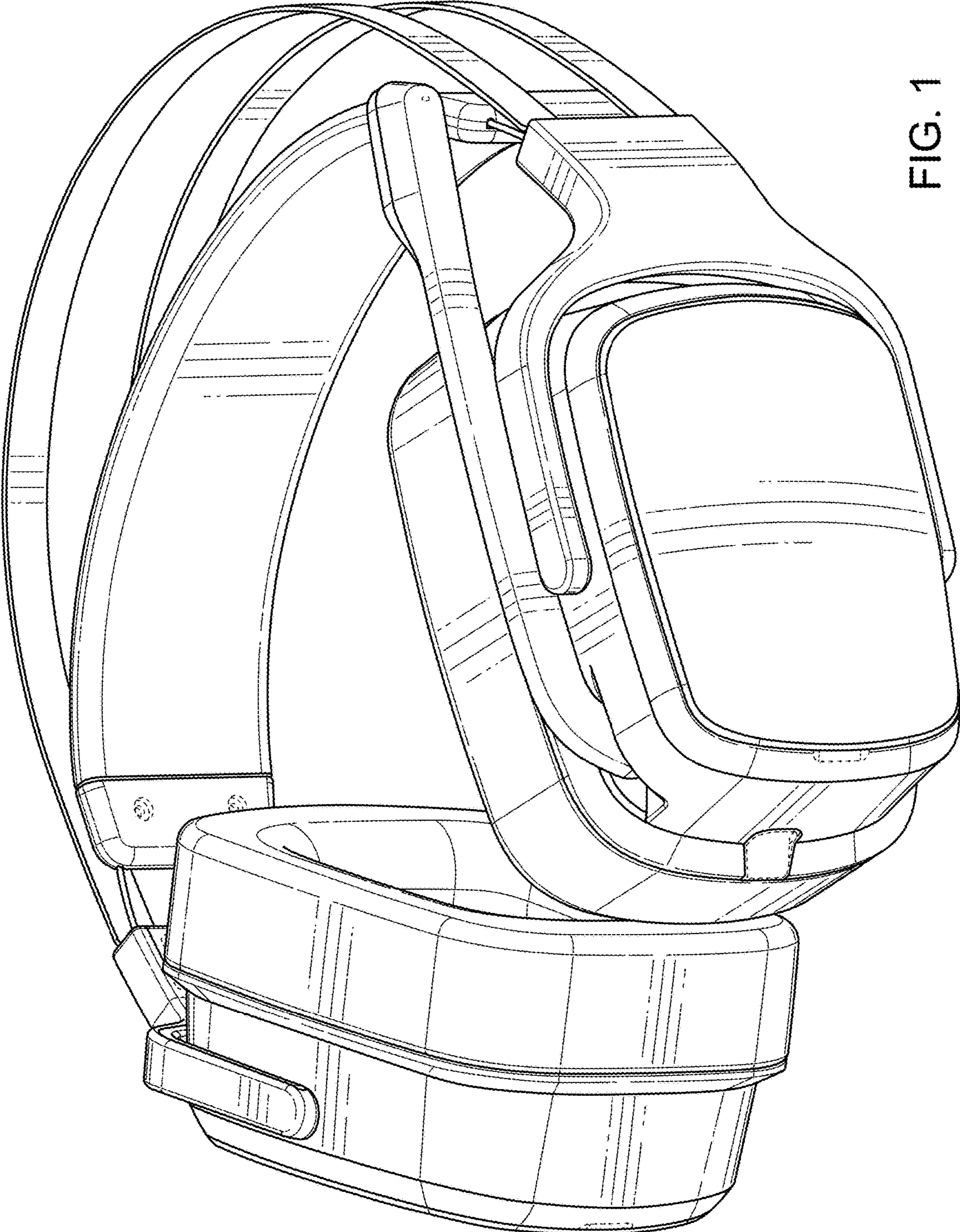


FIG. 1

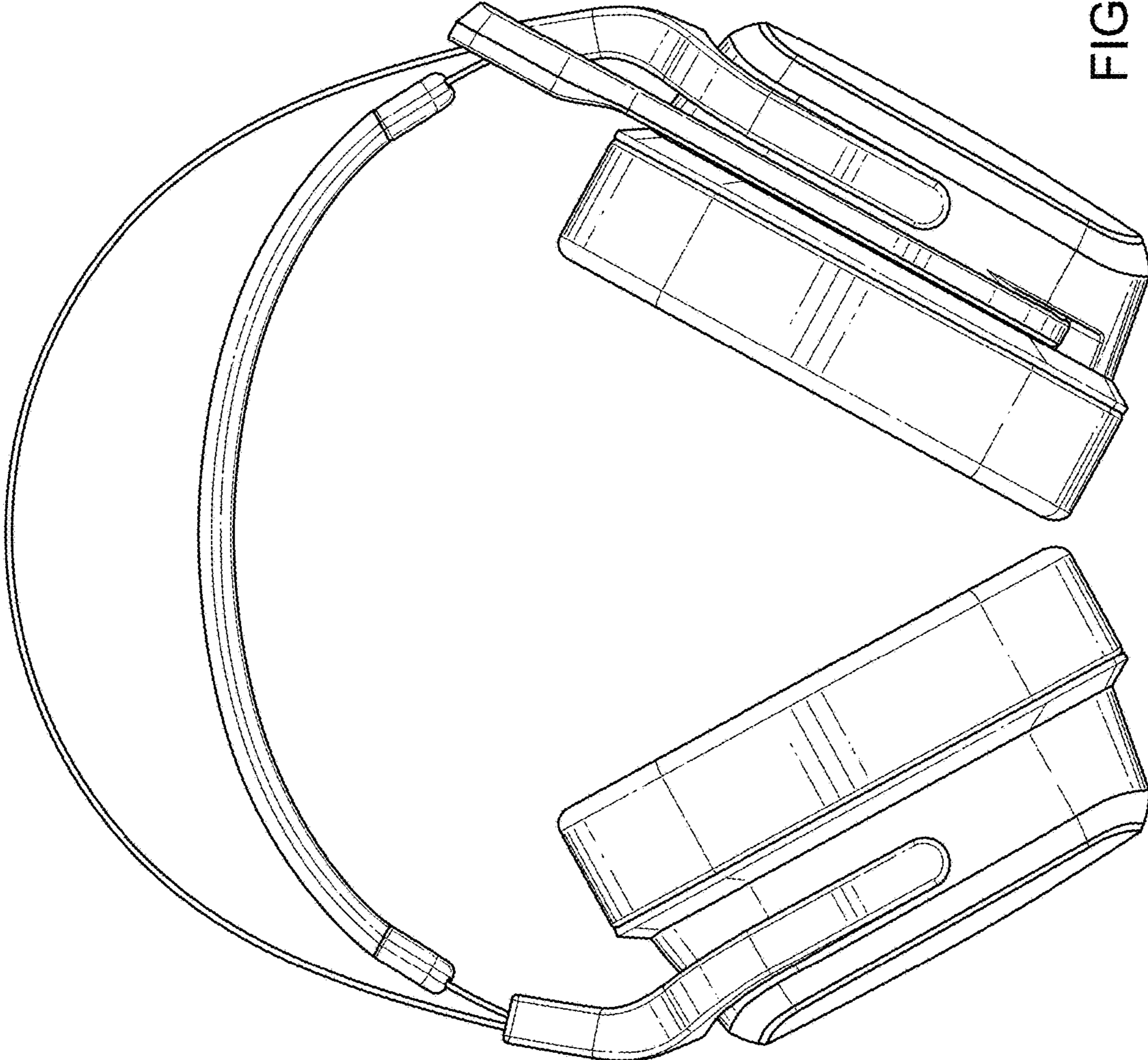


FIG. 2

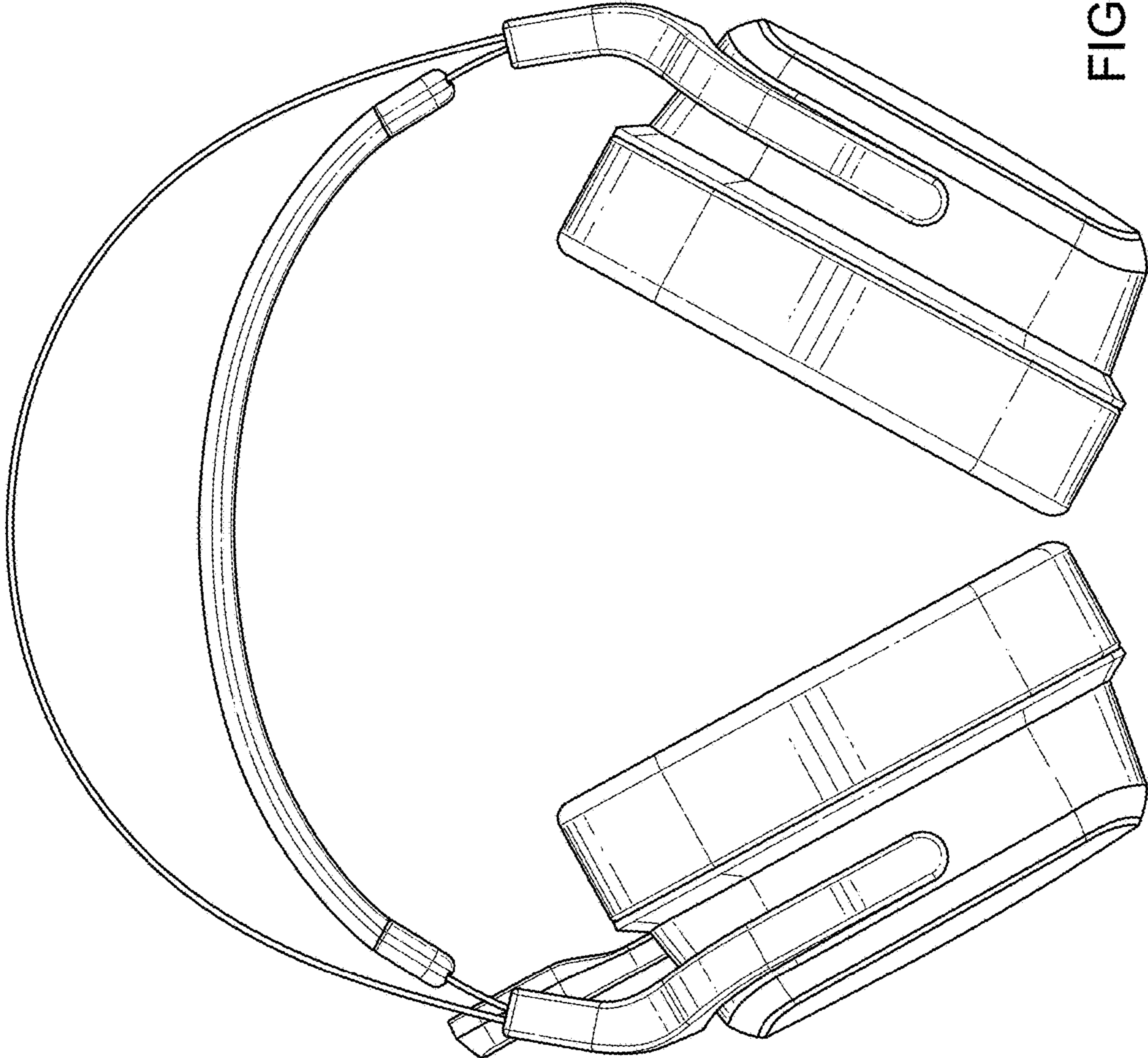


FIG. 3

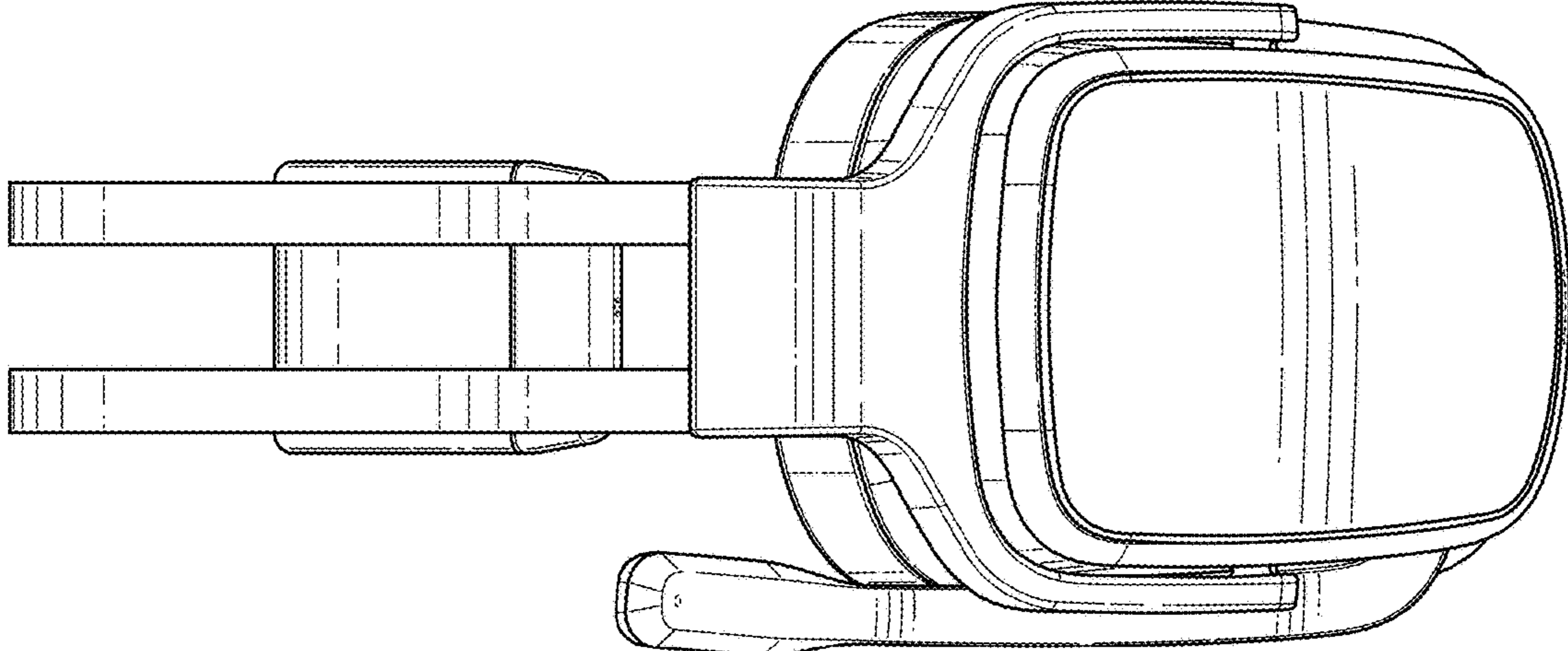


FIG. 4

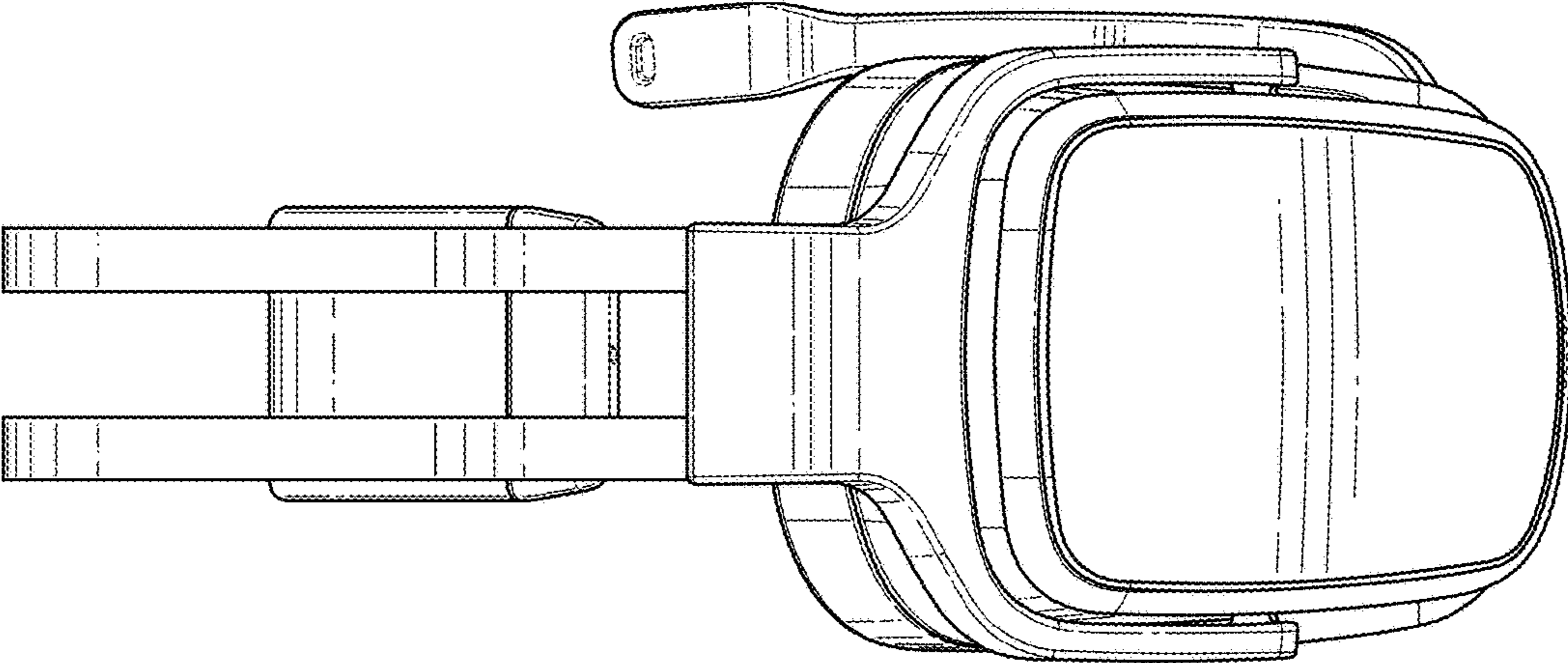


FIG. 5

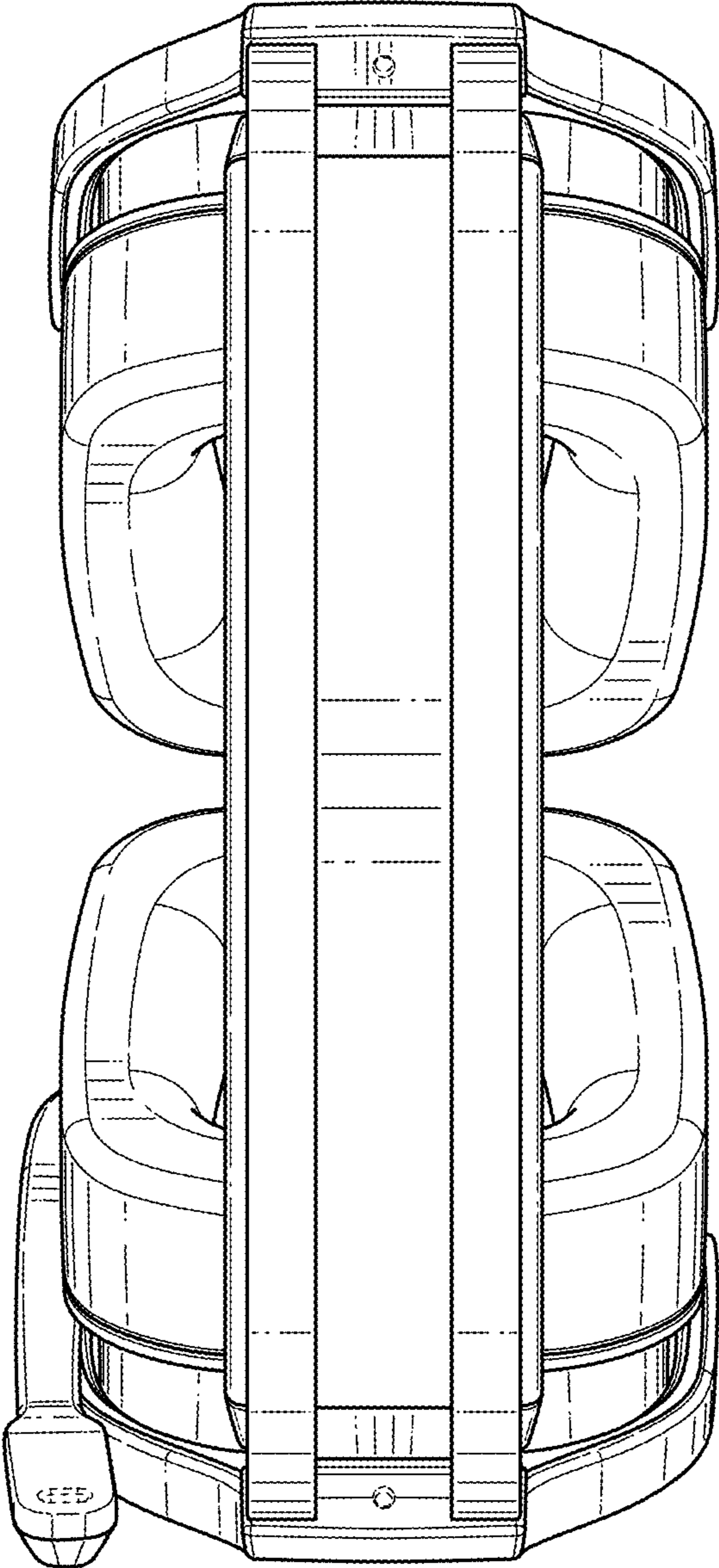


FIG. 6

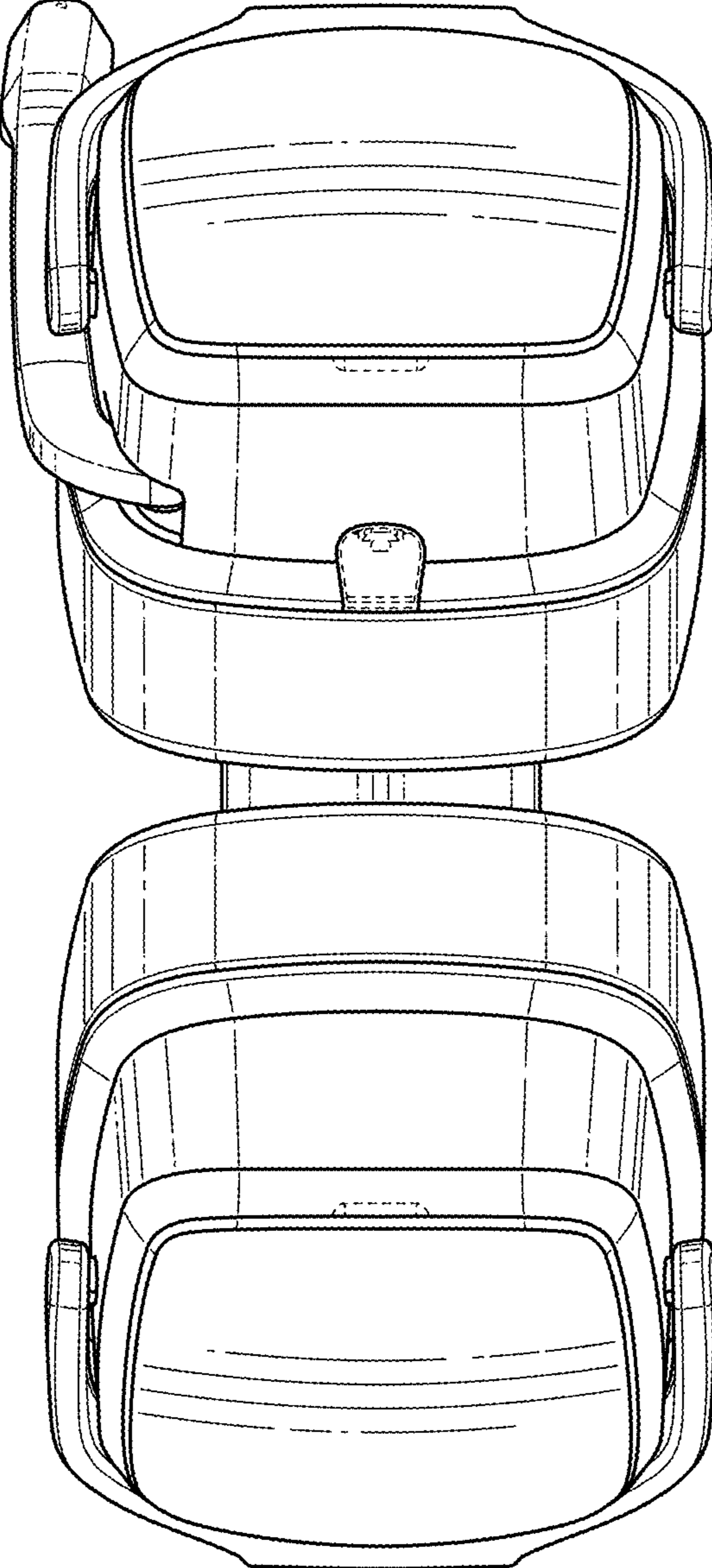


FIG. 7

FIG. 8

