

US00D830995S

(12) **United States Design Patent**
Shin et al.

(10) **Patent No.:** **US D830,995 S**

(45) **Date of Patent:** **** Oct. 16, 2018**

(54) **WIRELESS HEADSET COMMUNICATION DEVICE**

H04R 1/105; H04R 1/1083; H04R 1/02;
H04R 2420/07; H04R 2430/00

See application file for complete search history.

(71) Applicant: **LG ELECTRONICS INC.**, Seoul (KR)

(56) **References Cited**

U.S. PATENT DOCUMENTS

(72) Inventors: **Cheolwoong Shin**, Seoul (KR);
Dongsoon Kim, Seoul (KR); **Min Kim**, Seoul (KR)

D351,597 S *	10/1994	Nakamura	D14/205
D557,685 S *	12/2007	Lee	D14/205
D716,759 S *	11/2014	Ha	D14/205
D766,869 S *	9/2016	Lee	D14/205
D768,600 S *	10/2016	Chen	D14/205
D771,588 S *	11/2016	Choe	D14/205
D776,636 S *	1/2017	Lim	D14/205
D800,089 S *	10/2017	Park	D14/205
D802,558 S *	11/2017	Kim	D14/205
D803,186 S *	11/2017	Park	D14/205
D815,068 S *	4/2018	Huang	D14/223
D820,811 S *	6/2018	Kim	D14/205
D824,363 S *	7/2018	Oh	D14/206

(Continued)

(73) Assignee: **LG ELECTRONICS INC.**, Seoul (KR)

(**) Term: **15 Years**

(21) Appl. No.: **35/504,075**

(22) Filed: **Jun. 7, 2017**

OTHER PUBLICATIONS

(80) **Hague Agreement Data**

Int. Filing Date: **Jun. 7, 2017**

Int. Reg. No.: **DM/097100**

Int. Reg. Date: **Jun. 7, 2017**

Int. Reg. Pub. Date: **Dec. 8, 2017**

LG Tone Infinim® Premium Bluetooth® Wireless Stereo Headset, announced 2018 [online], [retrieved Jul. 30, 2018]. Available from Internet, URL: <<https://www.lg.com/us/bluetooth-headsets-headphones/lg-HBS-920-Black>> (Year: 2018).*

Primary Examiner — Barbara Fox

Assistant Examiner — Dana K Weiland

(74) *Attorney, Agent, or Firm* — Birch, Stewart, Kolasch & Birch, LLP

(30) **Foreign Application Priority Data**

Dec. 16, 2016 (KR) 30-2016-0061460

(51) **LOC (11) Cl.** **14-01**

(52) **U.S. Cl.**

USPC **D14/205**

(58) **Field of Classification Search**

USPC D14/204, 205, 206, 223, 224, 225, 249,
D14/372, 433, 138 R, 188, 192, 172,

D14/203.1, 191, 496; D29/112; D28/41;

D2/875; D24/174, 173, 106; D23/223

CPC H04R 25/02; H04R 1/10; H04R 1/10016;

(57) **CLAIM**

The ornamental design for a wireless headset communication device, as shown and described.

DESCRIPTION

1. Wireless headset communication device

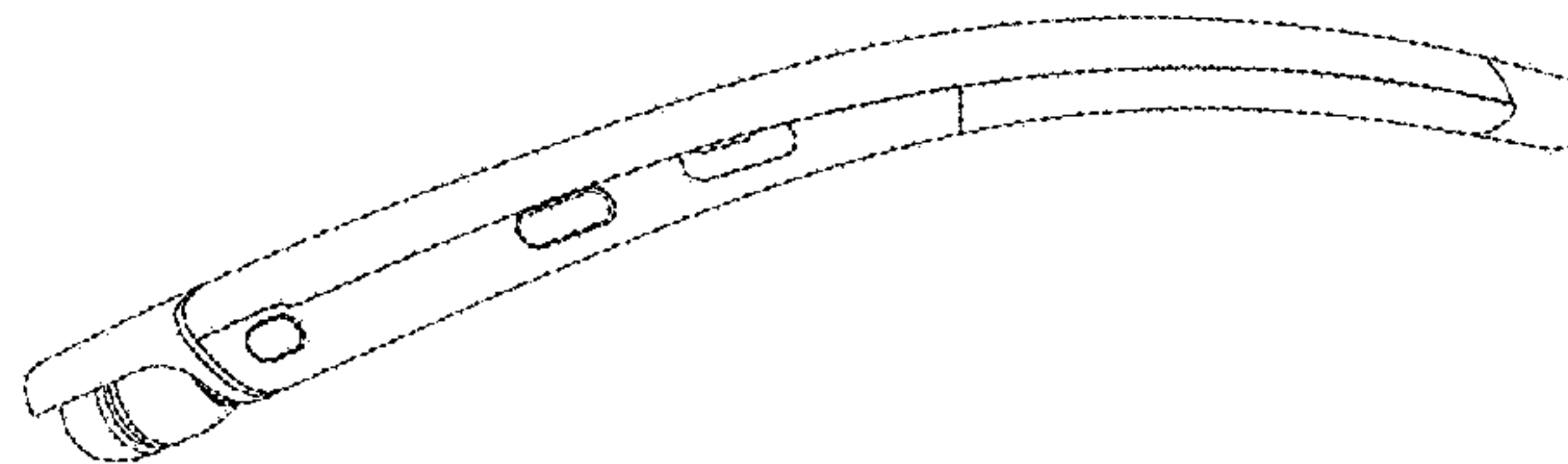
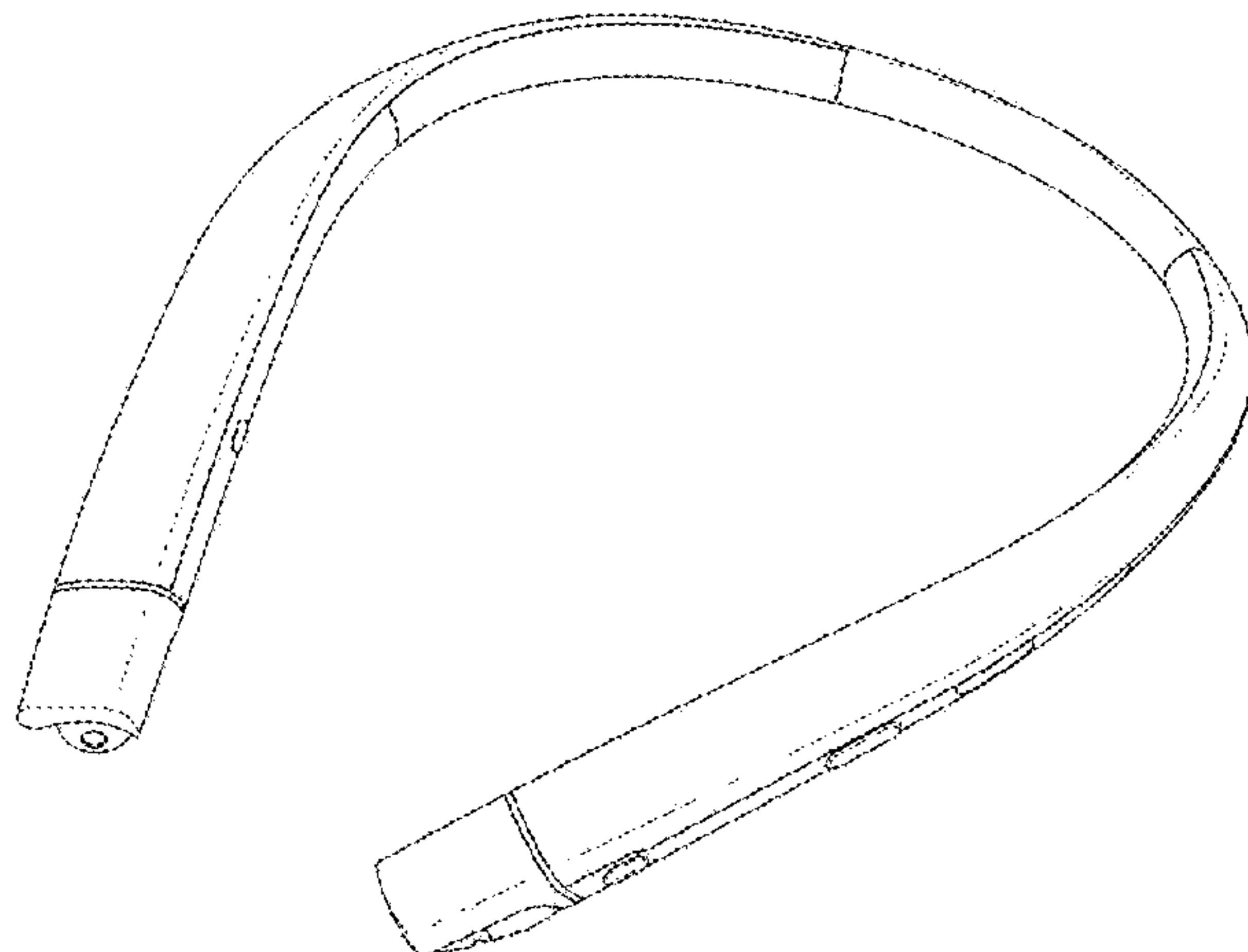
1.1 : Perspective

1.2 : Front

1.3 : Back

1.4 : Left

(Continued)



1.5 : Right
1.6 : Top
1.7 : Bottom

1 Claim, 7 Drawing Sheets

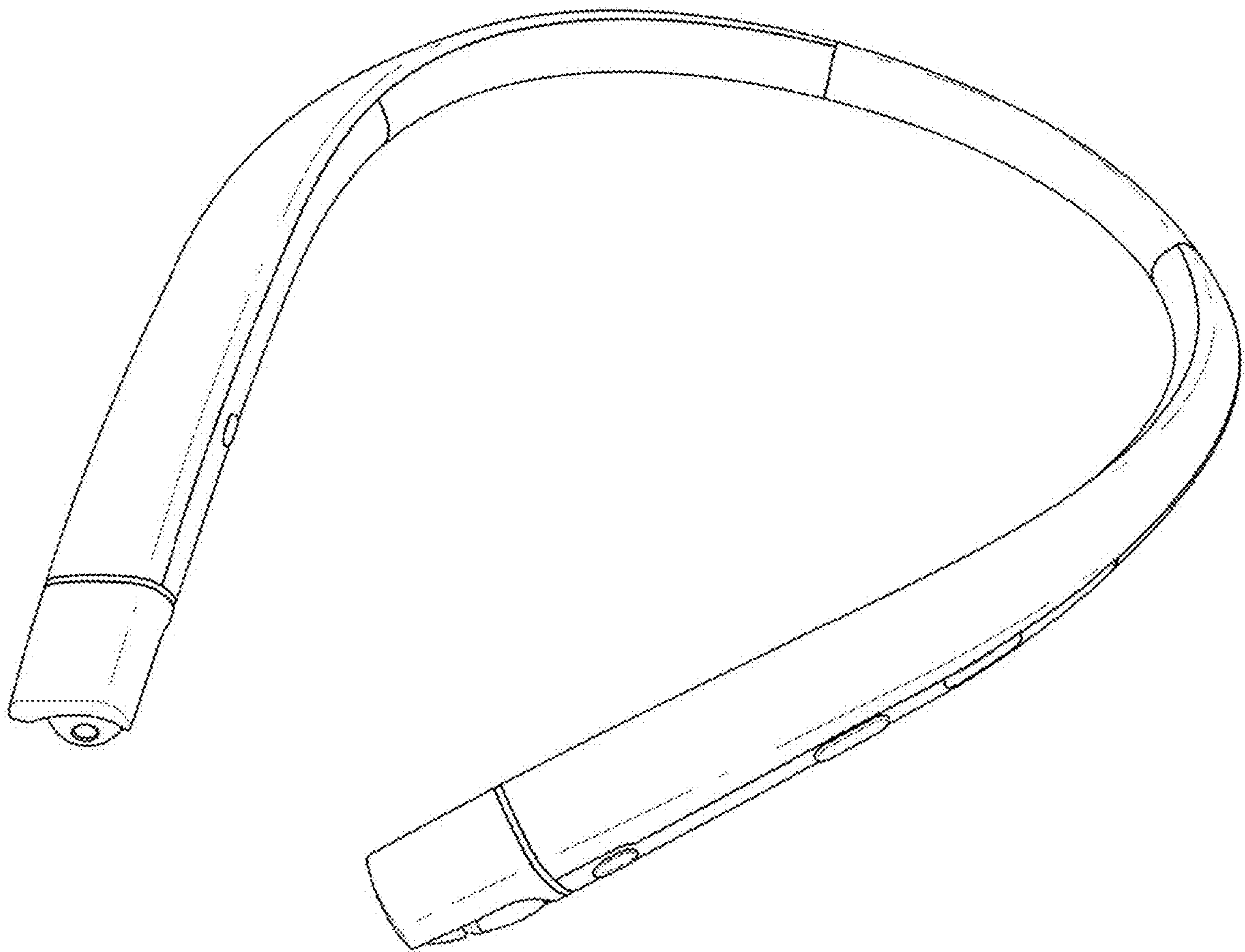
(56) **References Cited**

U.S. PATENT DOCUMENTS

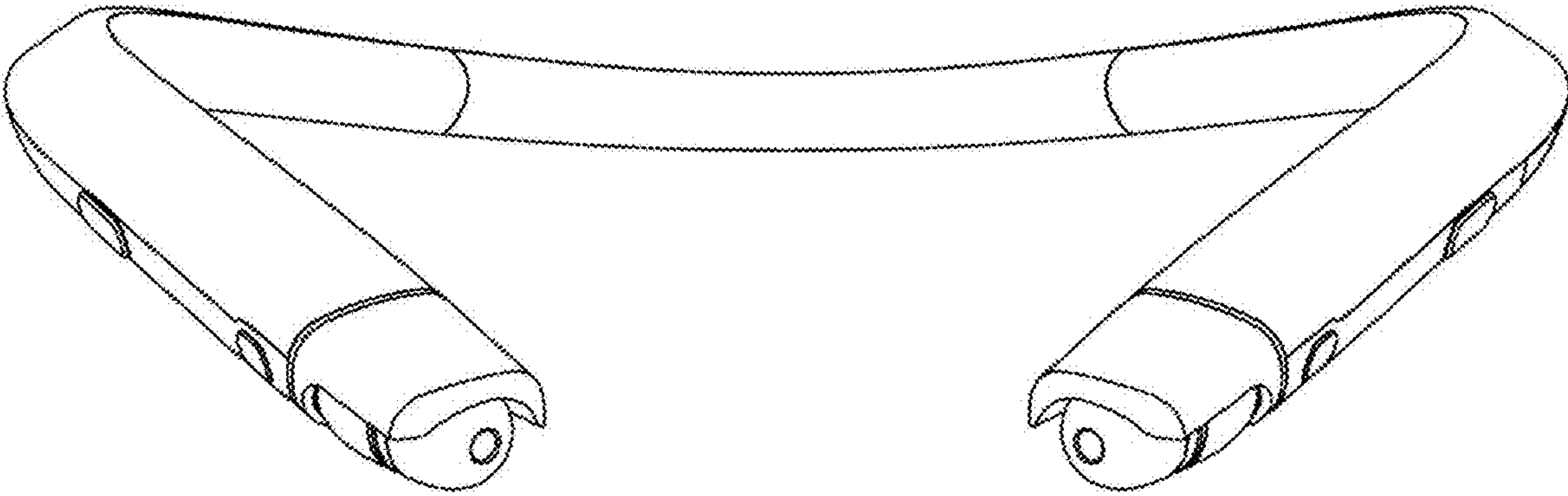
D824,364 S *	7/2018	Kim	D14/206
2017/0195768 A1*	7/2017	Kim	H04B 1/034
2018/0063620 A1*	3/2018	Kim	H04R 1/1025

* cited by examiner

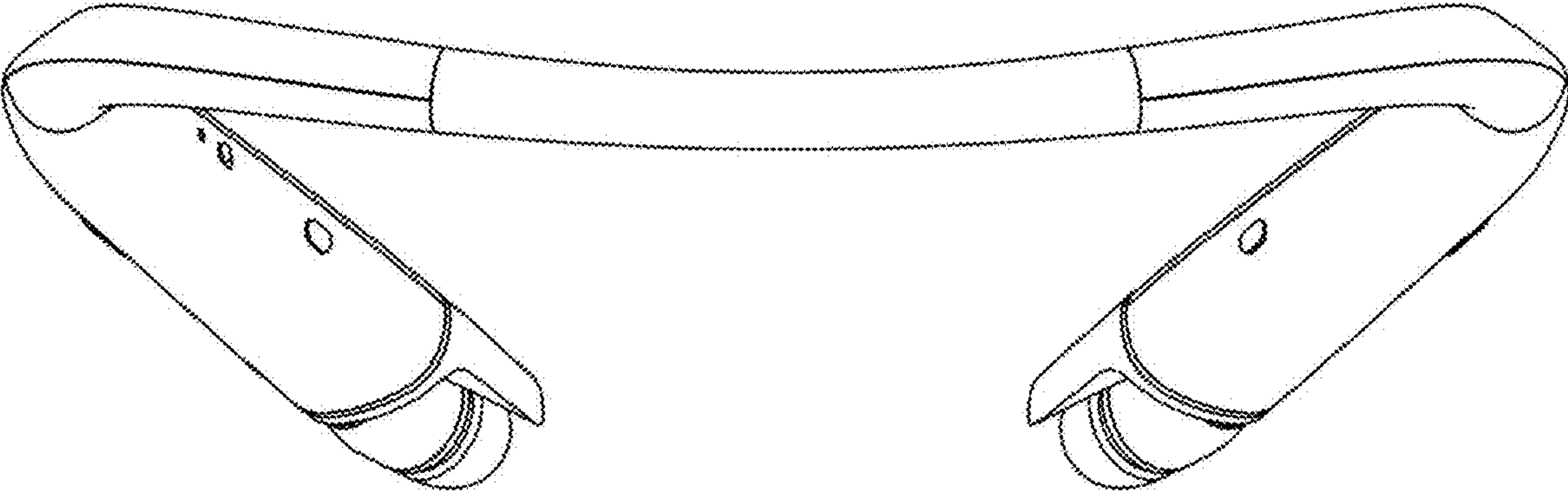
1.1



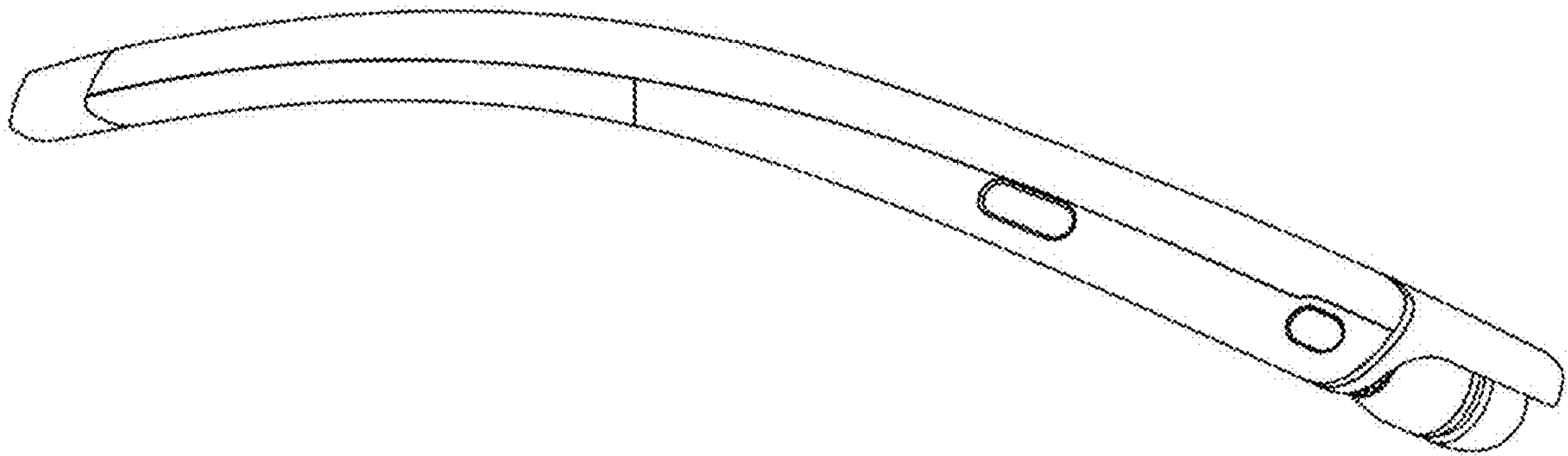
1.2



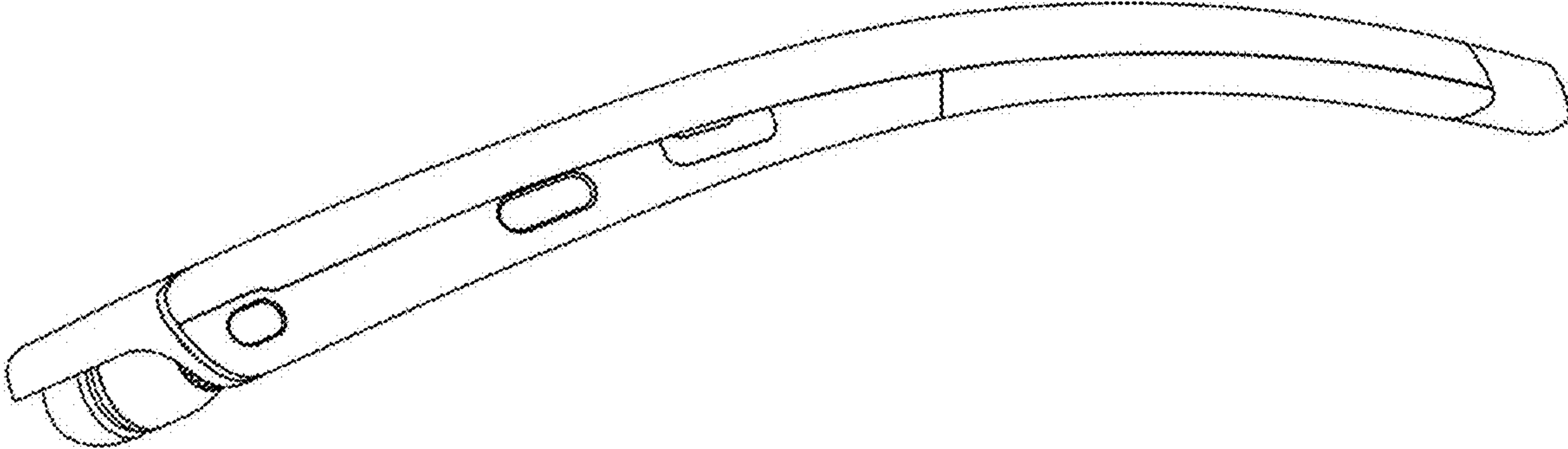
1.3



1.4



1.5



1.6



1.7

