



US00D830993S

(12) **United States Design Patent**
Petersen et al.

(10) **Patent No.:** **US D830,993 S**

(45) **Date of Patent:** **** *Oct. 16, 2018**

- (54) **FOLDABLE HEADPHONE**
- (71) Applicant: **Zound Industries International AB**,
Stockholm (SE)
- (72) Inventors: **Erik Petersen**, Stockholm (SE);
Andreas Enqvist, Hagersten (SE);
Marcus von Euler, Stockholm (SE)
- (73) Assignee: **Zound Industries International AB**,
Stockholm (SE)
- (*) Notice: This patent is subject to a terminal disclaimer.
- (**) Term: **15 Years**

D223,256 S *	4/1972	Thomson	D14/205
3,681,540 A *	8/1972	Thomson	H04R 1/1066 381/374
D229,833 S *	1/1974	Becker	D14/205
D235,210 S *	5/1975	Hill	D14/205
3,908,200 A *	9/1975	Lundin	A61F 11/14 2/209
D246,259 S *	11/1977	Nishimura	D14/205
D246,519 S *	11/1977	Kato	D14/205
4,133,053 A *	1/1979	Lundin	H04R 1/1058 2/209
D255,352 S *	6/1980	Besasio	D14/205
D266,417 S *	10/1982	Perez	D14/165
4,459,707 A *	7/1984	Stallings	A61F 11/14 181/129
4,499,593 A *	2/1985	Antle	H04R 1/1066 381/309

(Continued)

- (21) Appl. No.: **29/586,238**
- (22) Filed: **Dec. 1, 2016**
- (30) **Foreign Application Priority Data**

Jun. 2, 2016 (EM) 003167410-0008

- (51) **LOC (11) Cl.** **14-01**
- (52) **U.S. Cl.**
USPC **D14/205**

- (58) **Field of Classification Search**
USPC D14/205, 188, 192; D29/112; 2/209,
2/423, 425; 181/129, 130, 135; 379/430,
379/431; 381/380, 381, 370, 371, 374,
381/379, 391; 455/90.3, 575.1, 569.1
CPC H04R 1/1066; H04R 1/1016; H04R 25/00;
H04R 1/10; H04R 5/0335; H04R 5/033
See application file for complete search history.

- (56) **References Cited**
U.S. PATENT DOCUMENTS
2,394,374 A * 2/1946 Gilman H04R 1/1066
381/189
3,562,816 A * 2/1971 Hurchinson A61F 11/14
2/209

Primary Examiner — Paula Allen Greene
(74) *Attorney, Agent, or Firm* — Alonzo & Associates;
Arlyn Alonzo

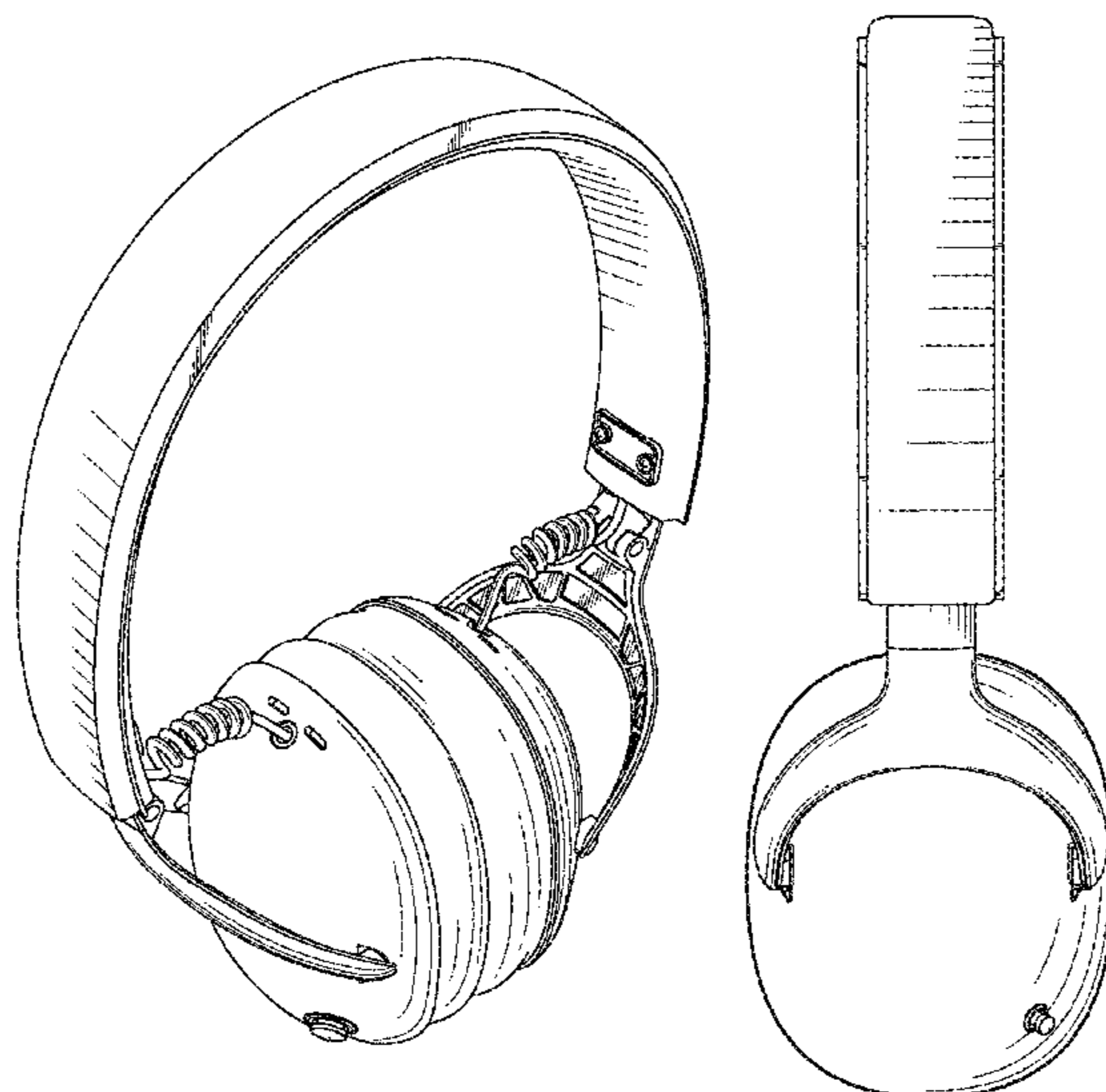
(57) **CLAIM**

The ornamental design for a foldable headphone, as shown and described.

DESCRIPTION

FIG. 1 is a perspective view of an exemplary foldable headphone.
FIG. 2 is a front view thereof.
FIG. 3 is a rear view thereof.
FIG. 4 is a left side view thereof.
FIG. 5 is a right side view thereof.
FIG. 6 is a top view thereof; and,
FIG. 7 is a bottom view thereof.
The foldable headphone may be used for listening to music and/or audio signals, and may include a microphone for recording or transmitting music and/or audio signals. The foldable headphone may be a wired or a wireless device.

1 Claim, 5 Drawing Sheets



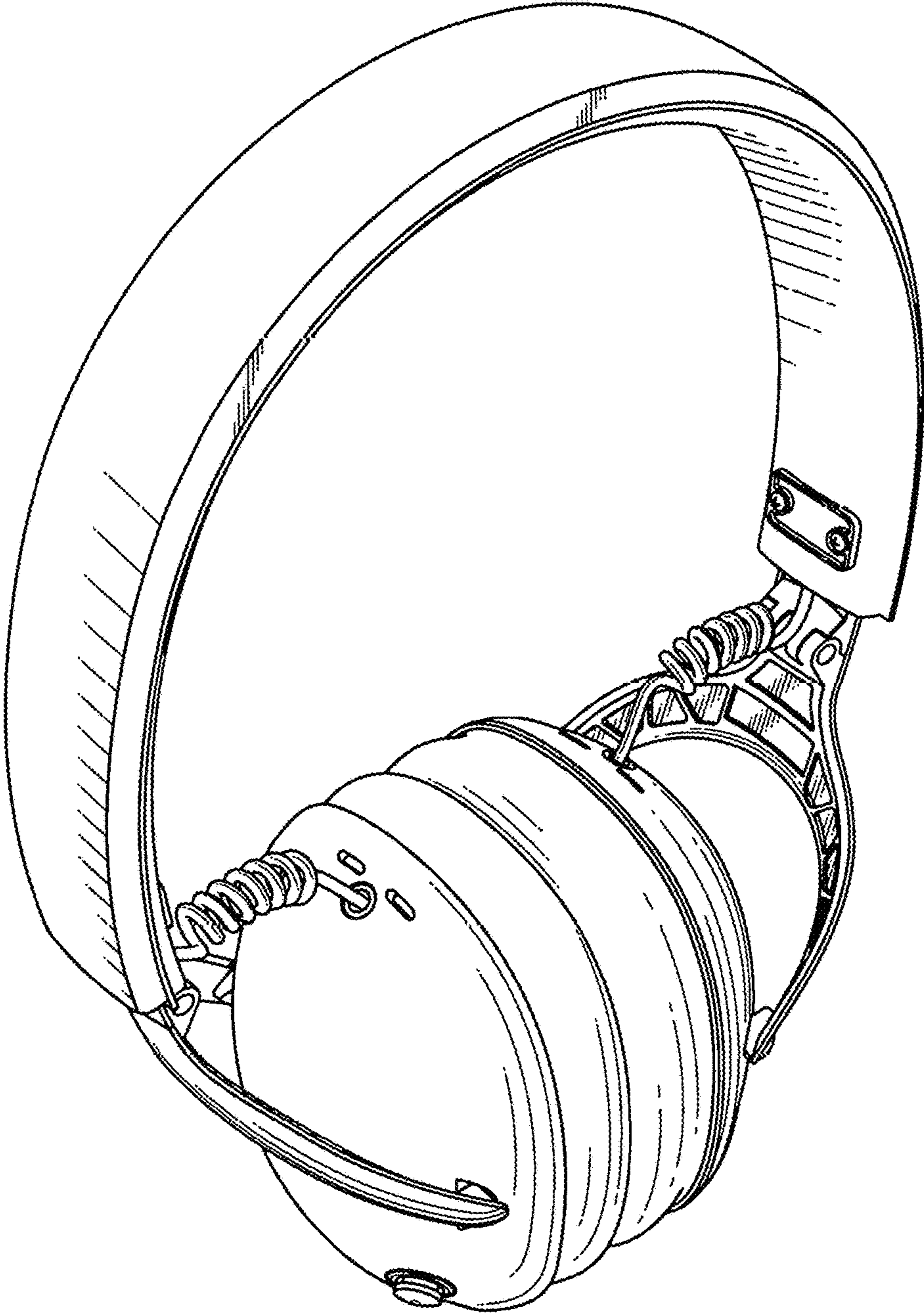


FIG. 1

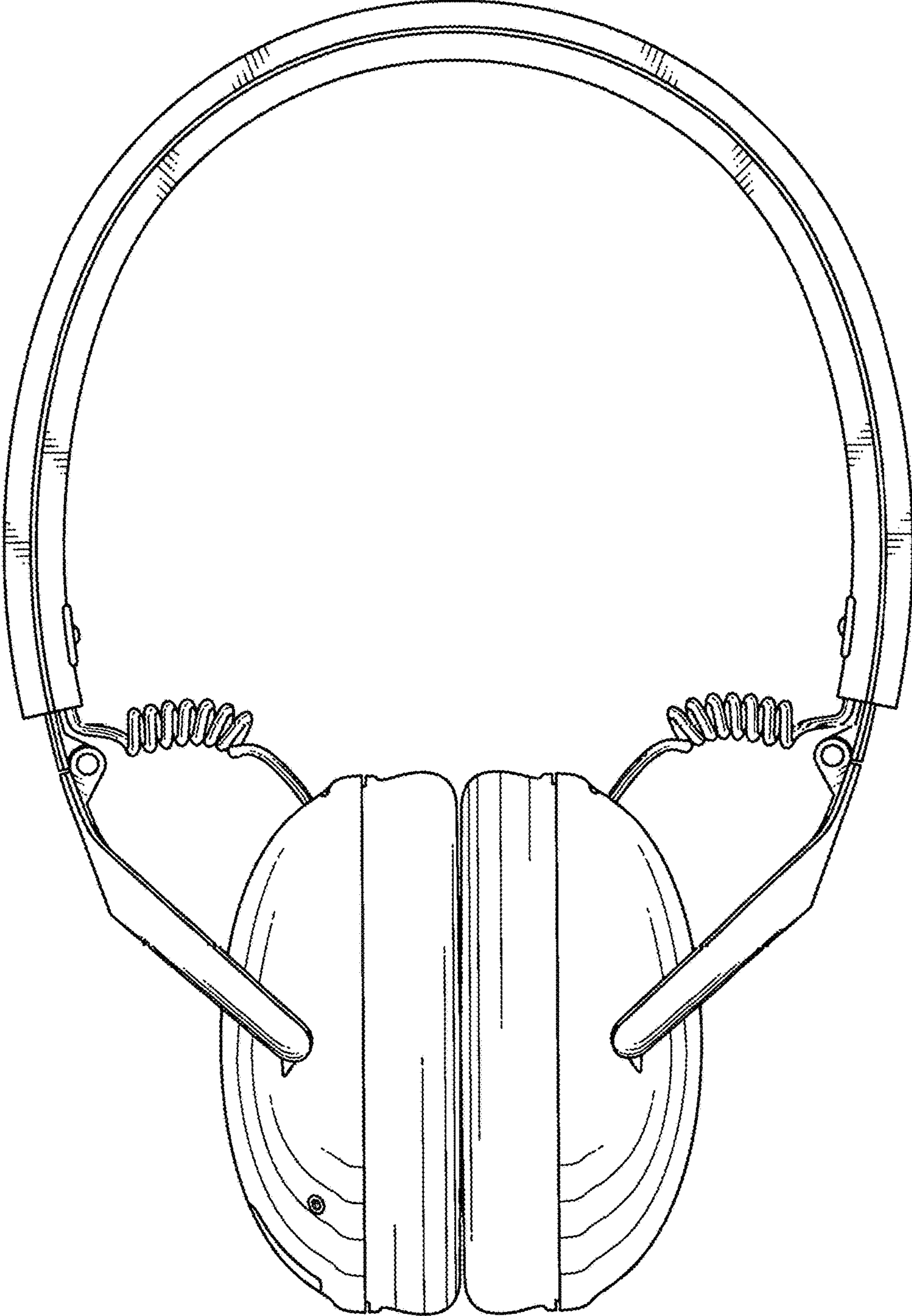


FIG. 2

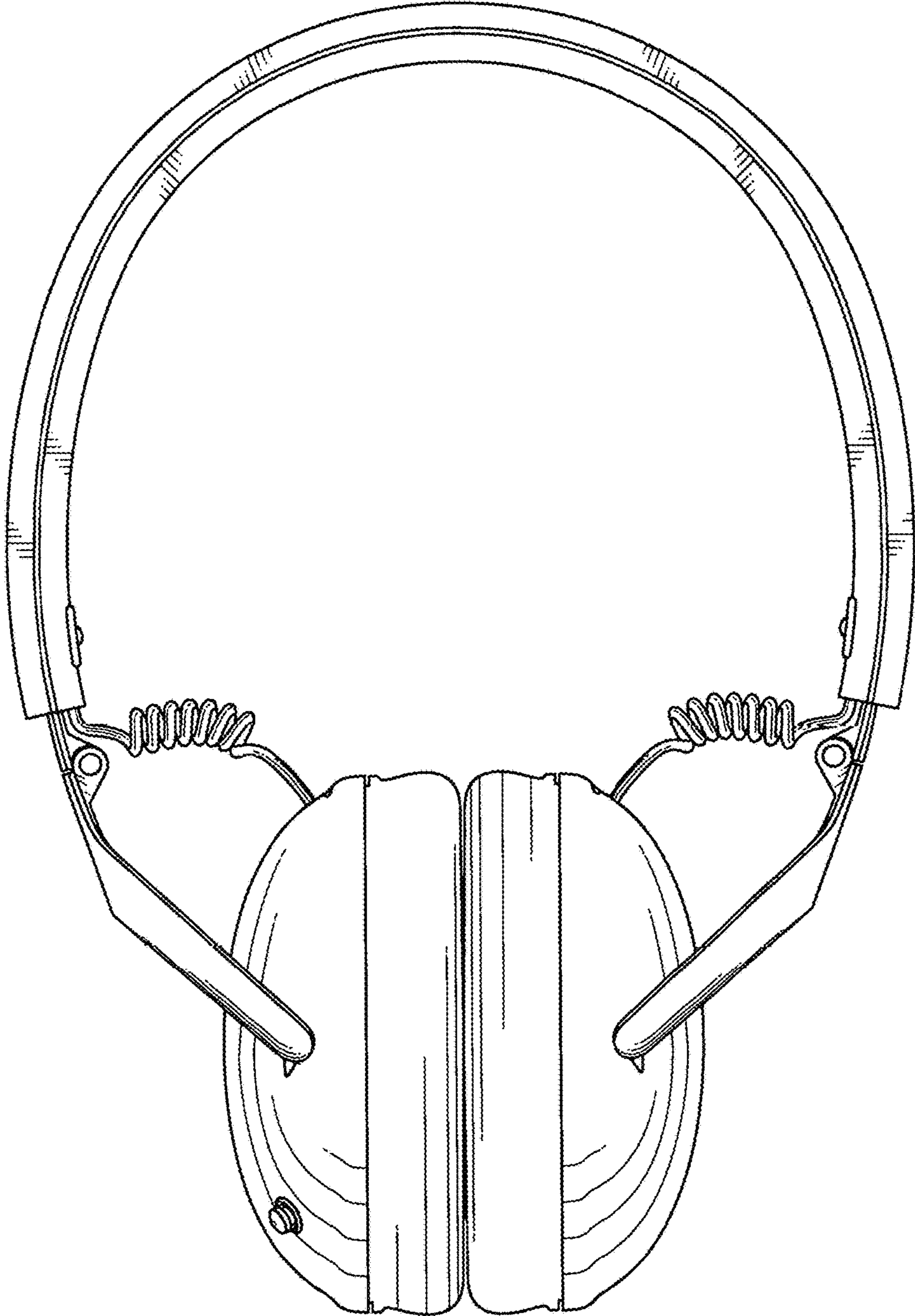


FIG. 3

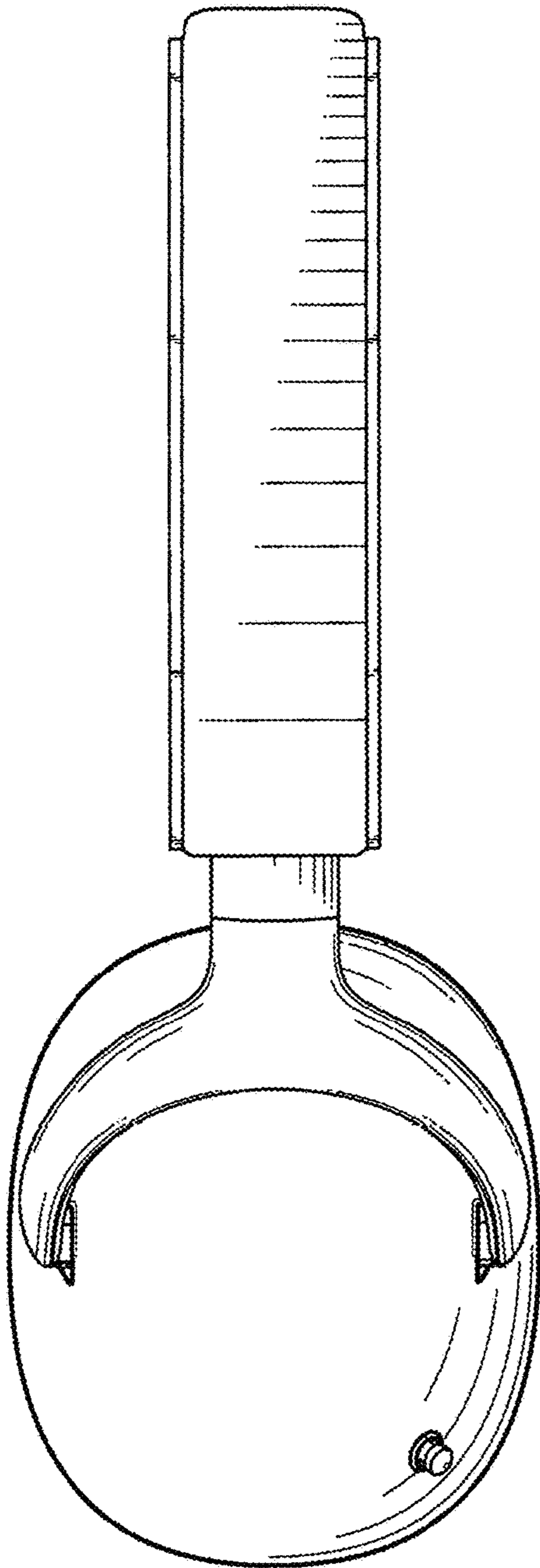


FIG. 4

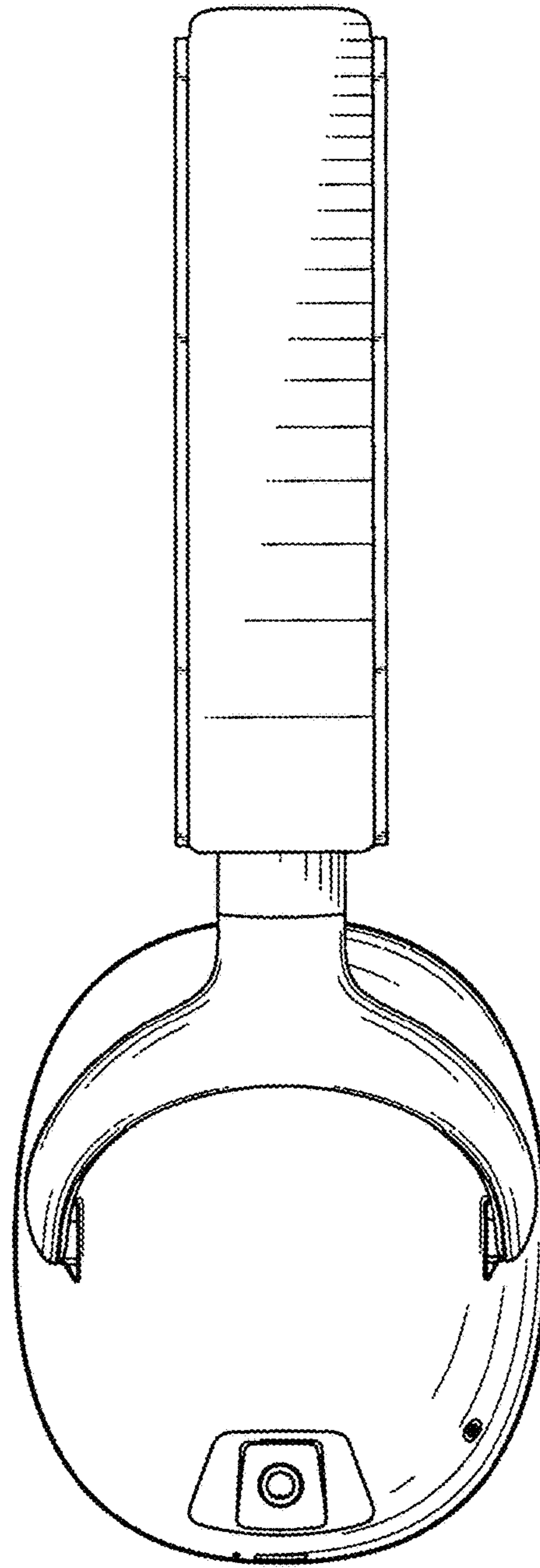


FIG. 5

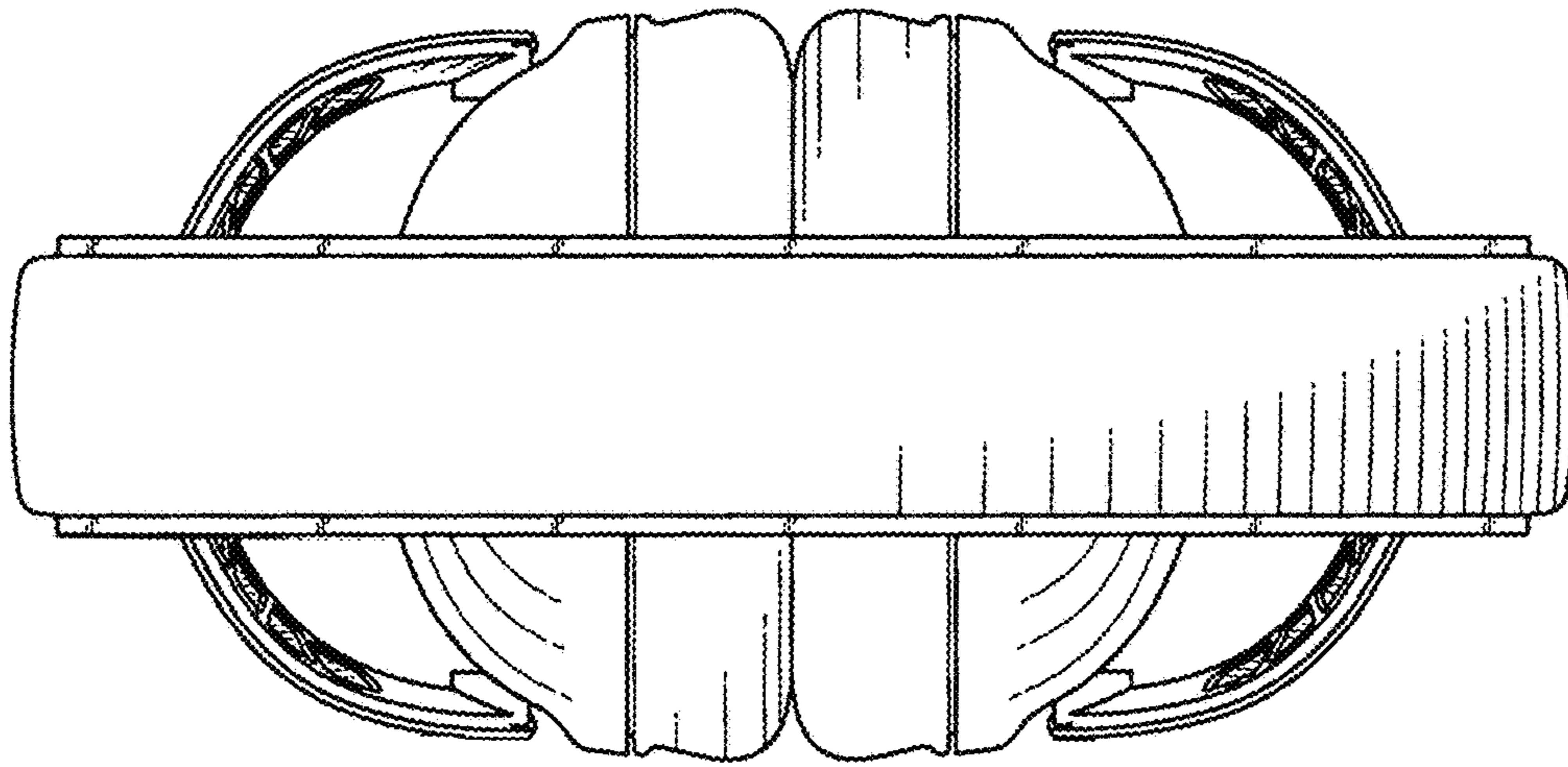


FIG. 6

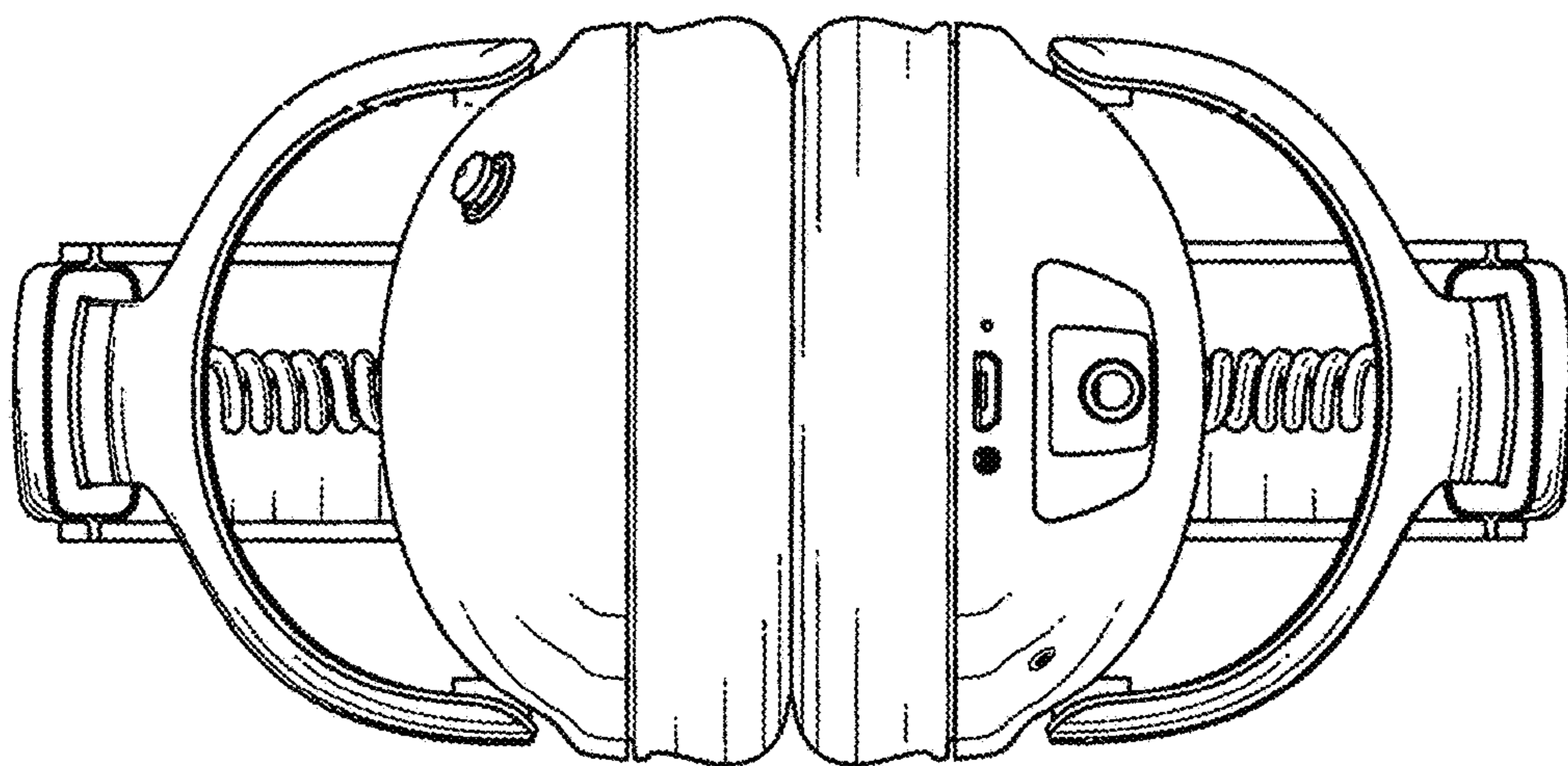


FIG. 7