



US00D830991S

(12) **United States Design Patent**  
**Sugiura**

(10) **Patent No.:** **US D830,991 S**  
(45) **Date of Patent:** **\*\* Oct. 16, 2018**

(54) **SPEAKER**

D604,732 S \* 11/2009 Sun ..... D14/349  
D645,453 S \* 9/2011 Kim ..... D14/215  
D671,527 S \* 11/2012 Lee ..... D14/214

(71) Applicant: **YAMAHA CORPORATION**,  
Hamamatsu-shi (JP)

\* cited by examiner

(72) Inventor: **Yoshihisa Sugiura**, Buena Park, CA  
(US)

*Primary Examiner* — Derrick E Holland

(73) Assignee: **YAMAHA CORPORATION**,  
Hamamatsu-shi, Shizuoka (JP)

*Assistant Examiner* — Janice Patyk

(74) *Attorney, Agent, or Firm* — Sughrue Mion, PLLC

(\*\*) Term: **15 Years**

(21) Appl. No.: **29/604,187**

(57) **CLAIM**

(22) Filed: **May 16, 2017**

The ornamental design for a speaker, as shown and described.

(51) **LOC (11) Cl.** ..... **14-01**

(52) **U.S. Cl.**  
USPC ..... **D14/204**

(58) **Field of Classification Search**  
USPC .... D14/167, 168, 170–172, 188, 204, 209.1,  
D14/210–216, 219, 221, 222, 224;  
181/144, 148, 153, 157, 198; 369/6–12;  
381/301–303, 306, 332, 334, 336, 345,  
381/361–363, 386–388  
CPC ..... G06F 1/1688; H04R 1/02; H04R 1/025;  
H04R 1/026; H04R 1/323; H04R 1/403;  
H04R 1/2803; H04R 1/2834; H04R 5/02;  
H04R 9/06; H04R 2201/021; H04R  
2400/00; H04R 2400/07; H04R 2499/11  
See application file for complete search history.

**DESCRIPTION**

FIG. 1 is a perspective view of the front, top and right side of a speaker showing my new design;  
FIG. 2 is a front view thereof;  
FIG. 3 is a rear view thereof;  
FIG. 4 is a left side view thereof;  
FIG. 5 is a right side view thereof;  
FIG. 6 is a top plan view thereof; and,  
FIG. 7 is a bottom view thereof.

The broken line showing of the speaker is included for the purpose of illustrating unclaimed portions of the speaker and forms no part of the claimed design.

(56) **References Cited**

U.S. PATENT DOCUMENTS

D340,056 S \* 10/1993 Caron ..... D14/204  
D410,006 S \* 5/1999 Miyazaki ..... D14/214  
D452,855 S \* 1/2002 Ota ..... D14/214  
D501,199 S \* 1/2005 Wang ..... D14/214  
D603,902 S \* 11/2009 Greaves ..... D19/67

**1 Claim, 7 Drawing Sheets**

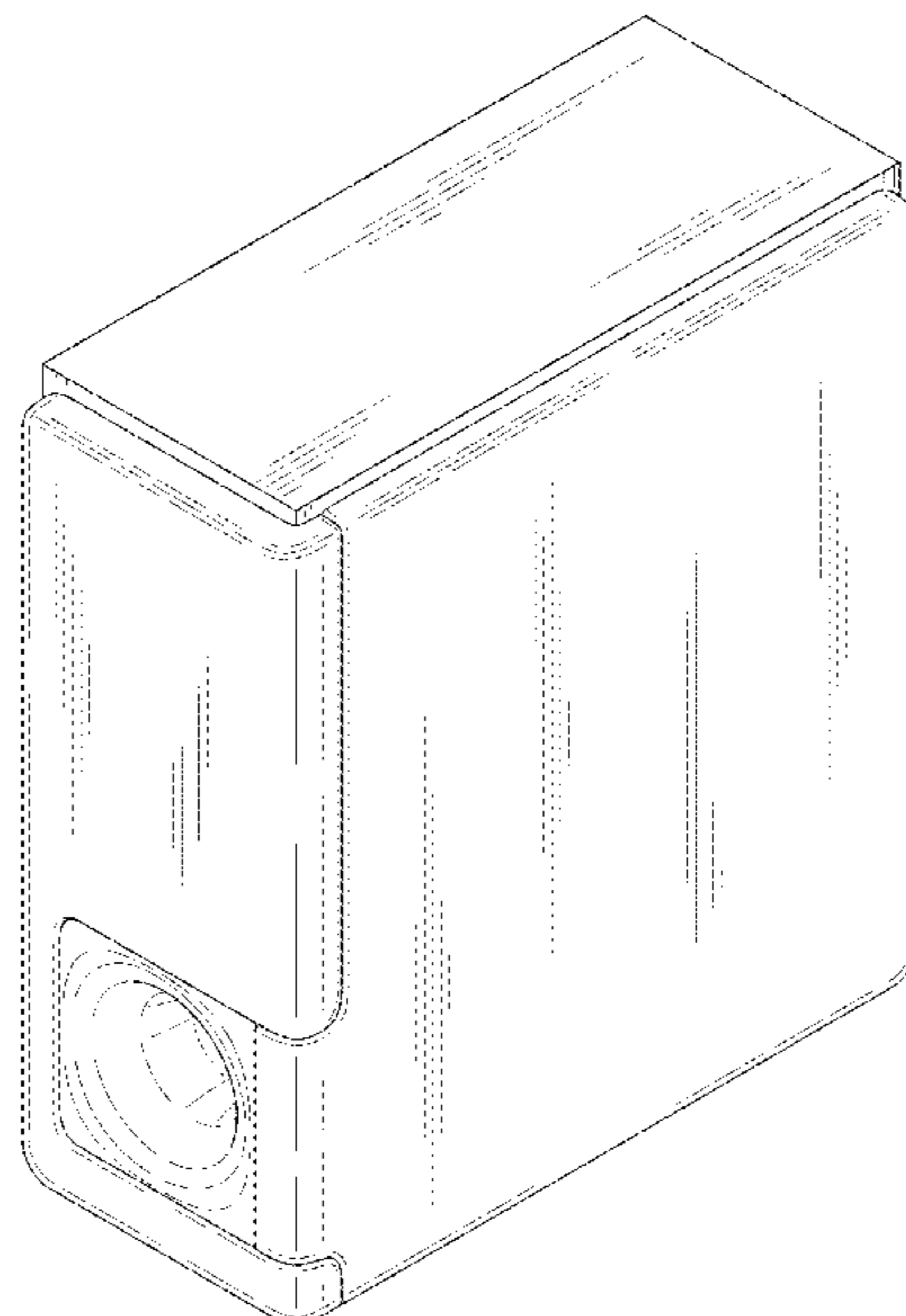


Fig. 1

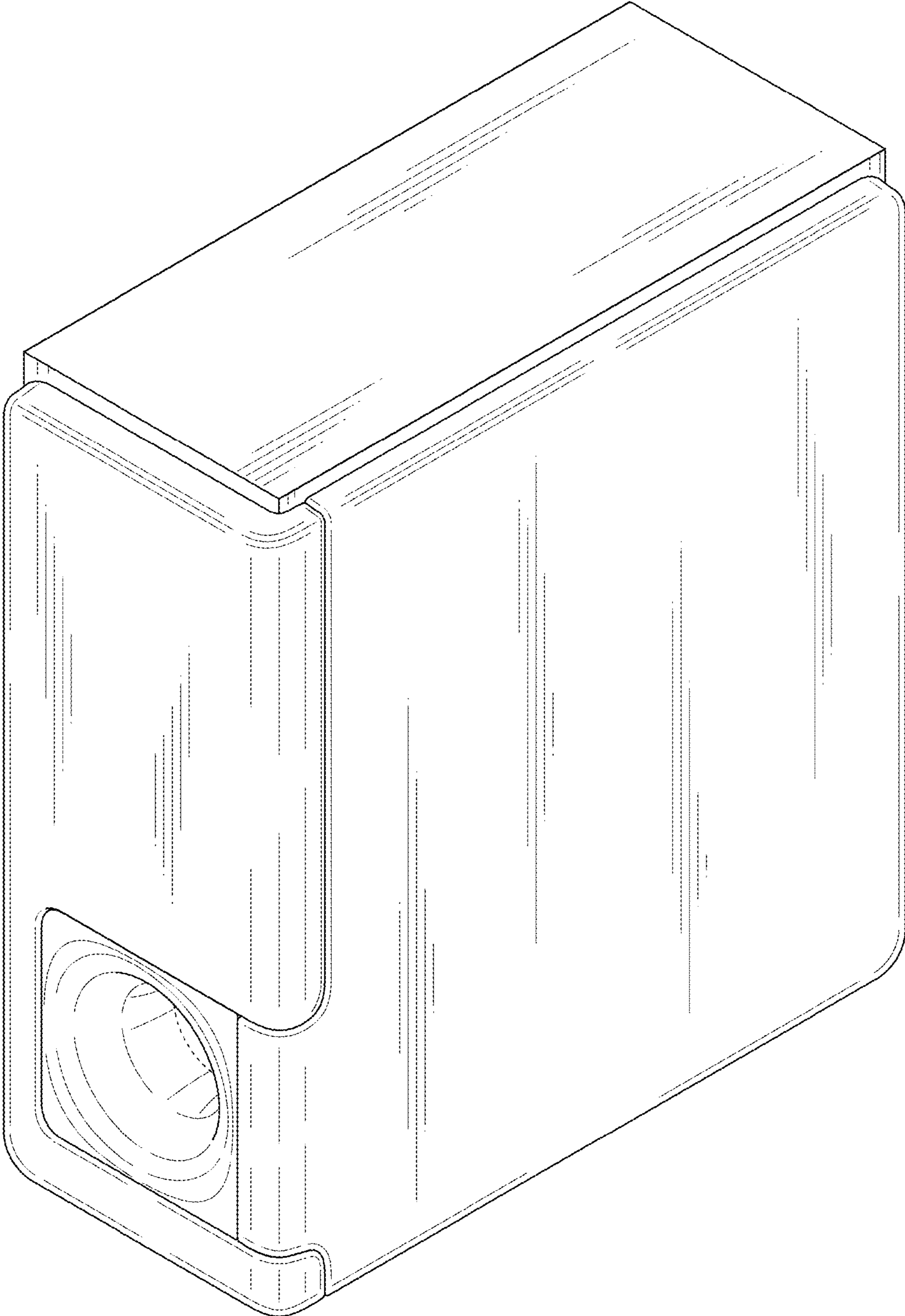


Fig. 2

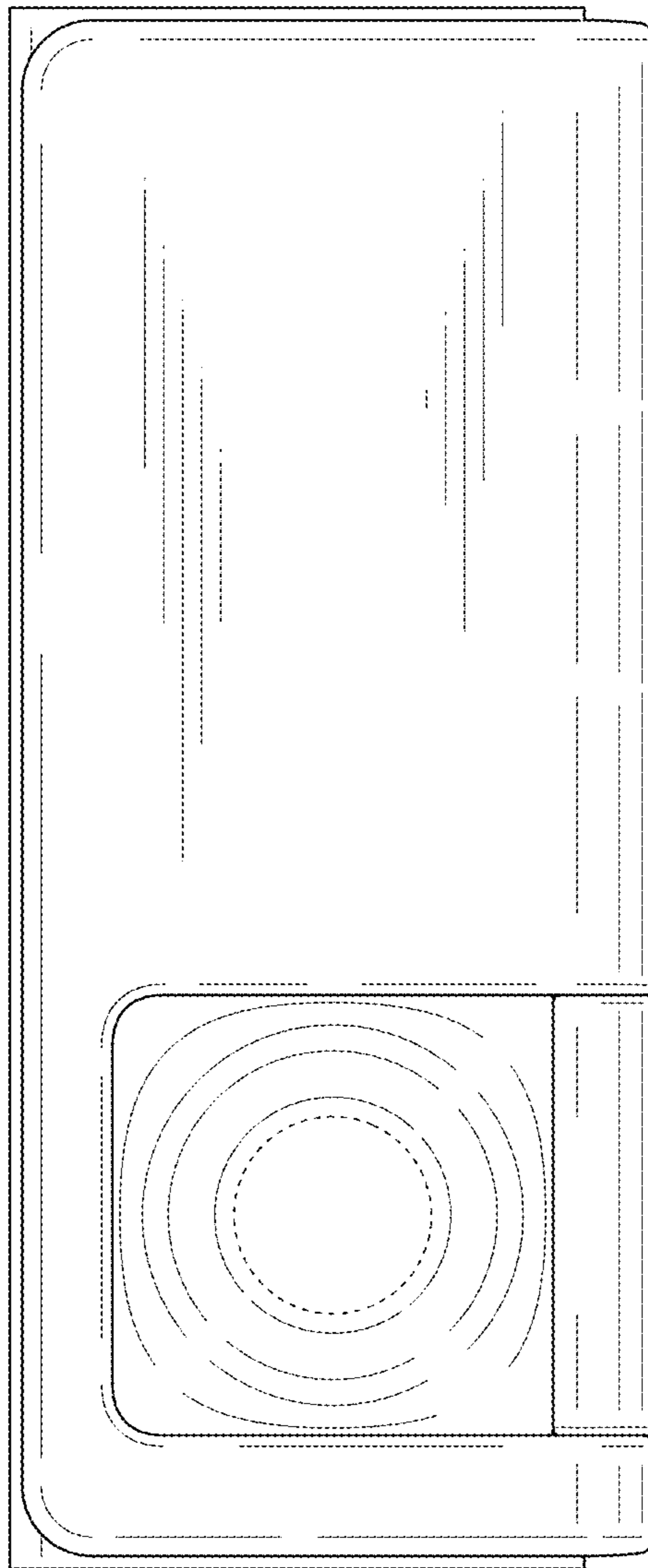


Fig. 3

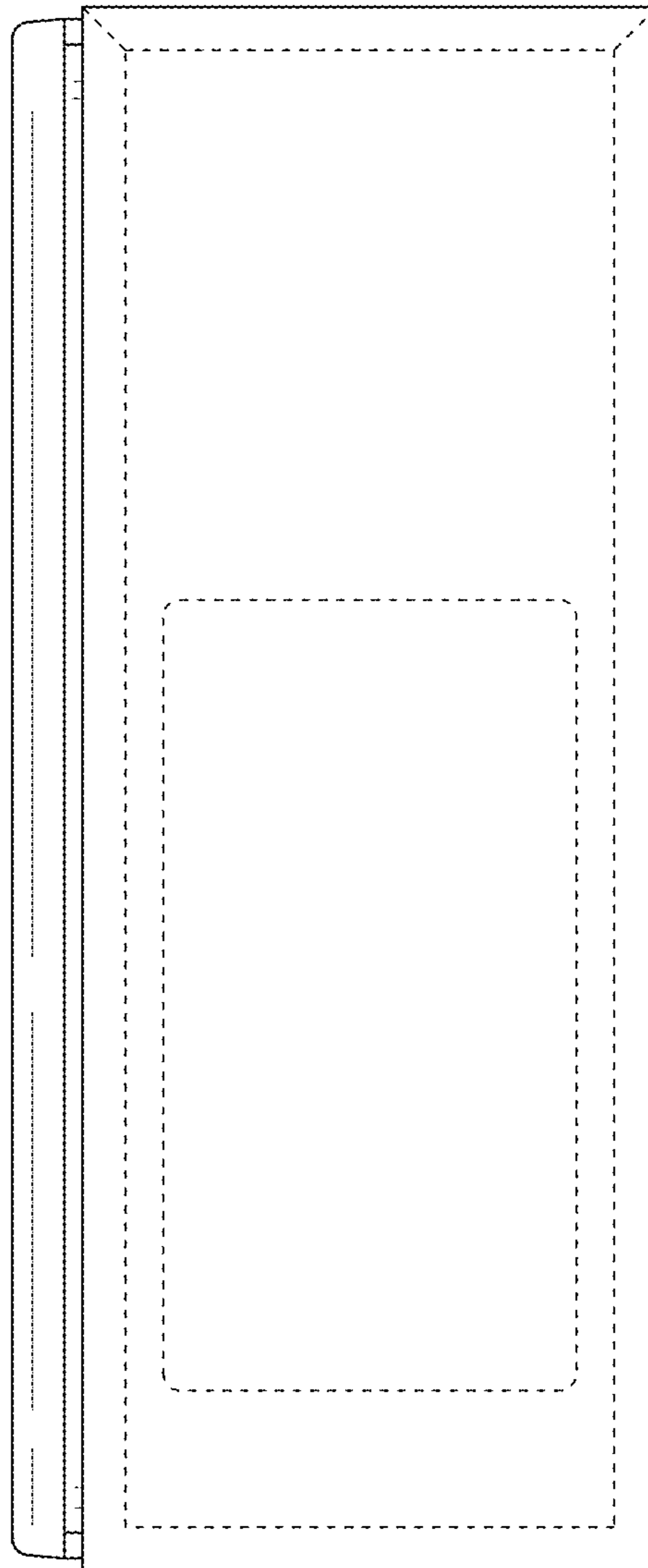


Fig. 4

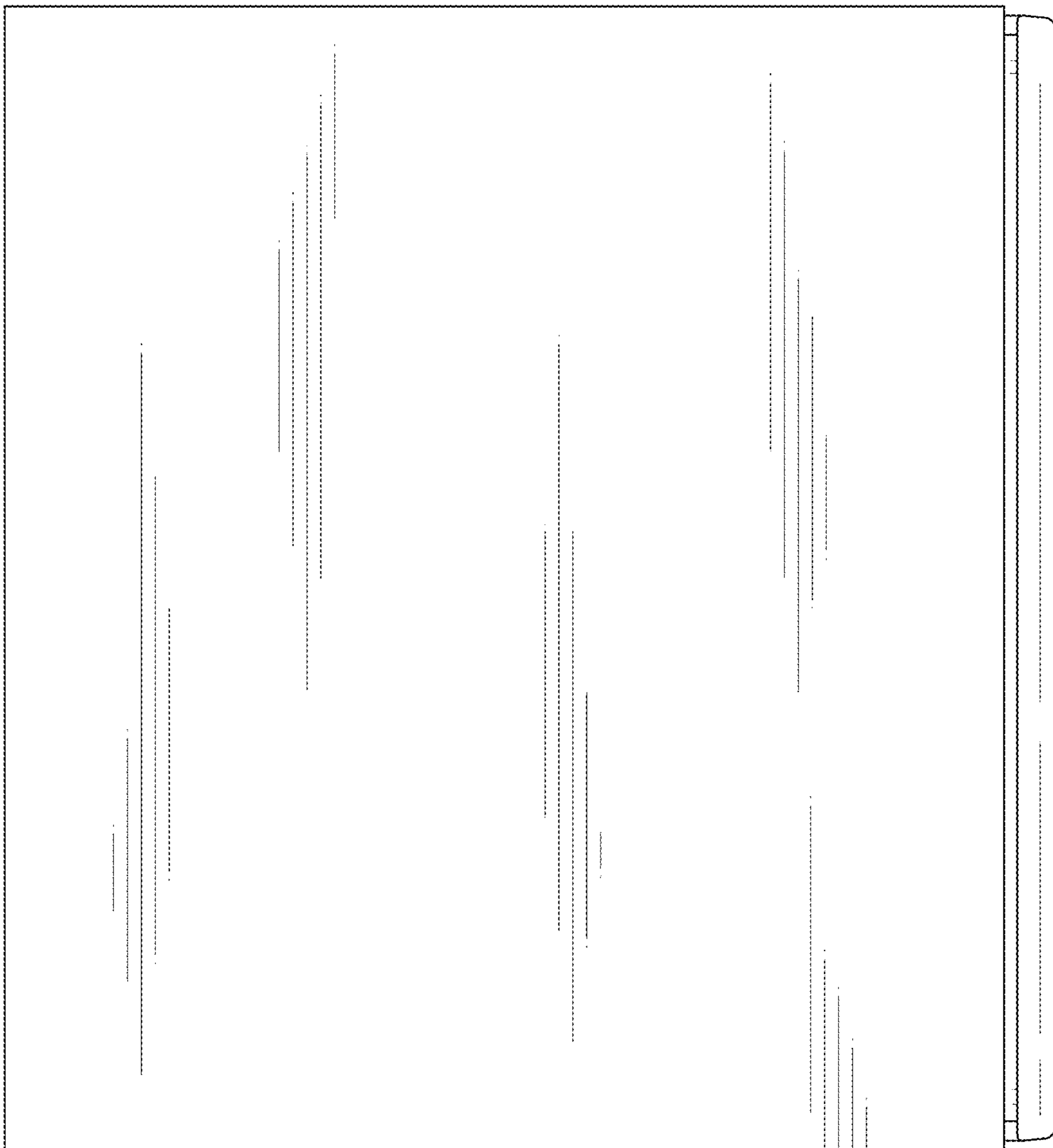


Fig. 5



Fig. 6

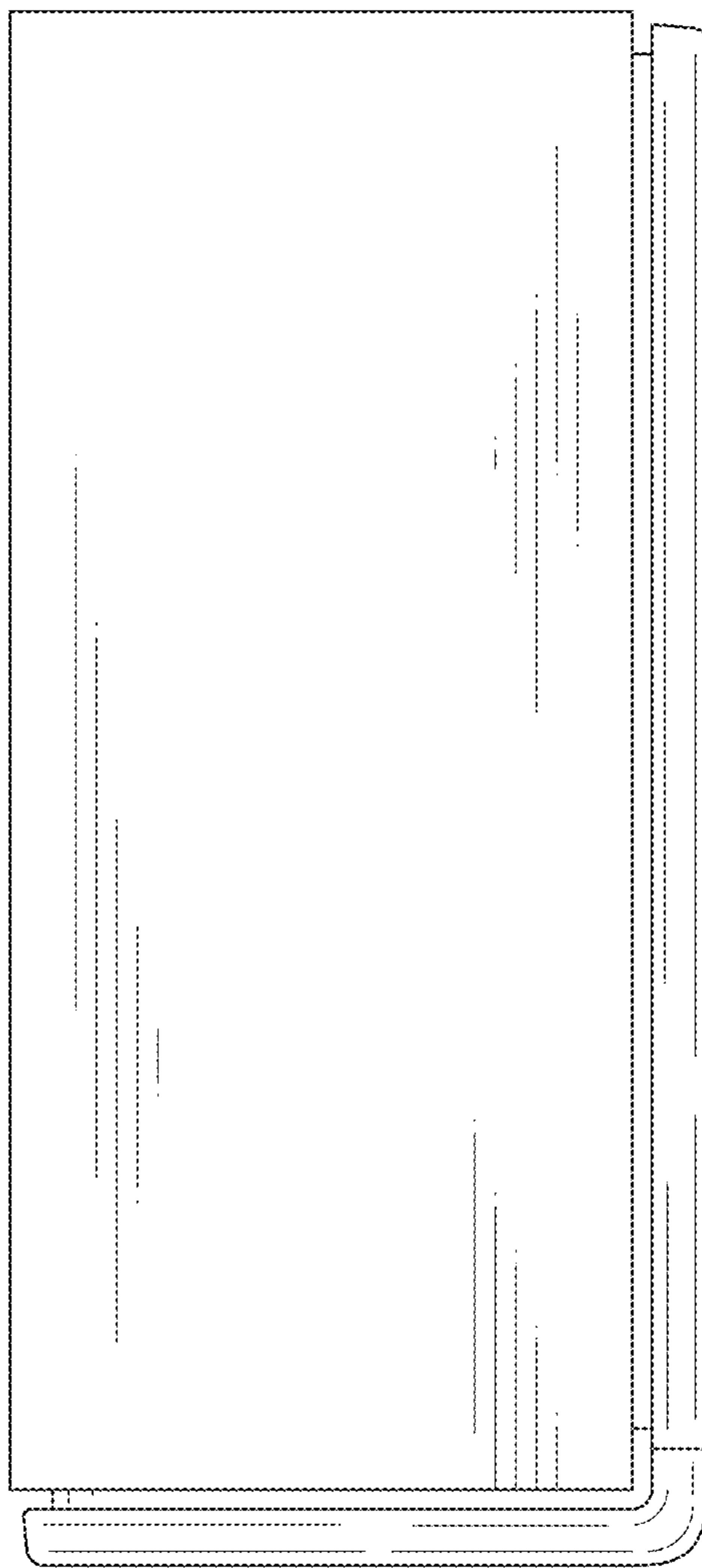


Fig. 7

