



US00D830989S

(12) **United States Design Patent**
McManigal et al.

(10) **Patent No.:** **US D830,989 S**

(45) **Date of Patent:** **** Oct. 16, 2018**

(54) **SUBWOOFER SPEAKER**

(71) Applicant: **Vizio Inc**, Irvine, CA (US)

(72) Inventors: **Scott McManigal**, Irvine, CA (US);
Howard Cheng, Irvine, CA (US)

(73) Assignee: **Vizio, Inc.**, Irvine, CA (US)

(**) Term: **15 Years**

(21) Appl. No.: **29/588,978**

(22) Filed: **Dec. 27, 2016**

(51) **LOC (11) Cl.** **14-01**

(52) **U.S. Cl.**
USPC **D14/204**

(58) **Field of Classification Search**
USPC D14/167, 168, 170-172, 188, 204, 209.1,
D14/210-216, 219, 221, 222, 224;
181/144, 148, 153, 157, 198; 369/6-12;
381/301-303, 306, 332, 334, 336, 345,
381/361-363, 386-388
CPC G06F 1/1688; H04R 1/02; H04R 1/025;
H04R 1/026; H04R 1/323; H04R 1/403;
H04R 1/2803; H04R 1/2834; H04R 5/02;
H04R 9/06; H04R 2201/021; H04R
2400/00; H04R 2400/07; H04R 2499/11
See application file for complete search history.

(56) **References Cited**

U.S. PATENT DOCUMENTS

D586,777 S * 2/2009 Joseph D10/2
D629,827 S * 12/2010 Morenstein D16/221
D649,148 S * 11/2011 Gengoux D14/300

D664,122 S * 7/2012 Cho D14/215
D680,097 S * 4/2013 Davies D14/204
D690,280 S * 9/2013 Schul D14/168
D698,751 S * 2/2014 Swendseid D14/214
D707,202 S * 6/2014 McManigal D14/214
D722,053 S * 2/2015 Wang D14/358

OTHER PUBLICATIONS

Dayton Audio Sub-1500 Subwoofer, announced Jan. 2014, [online],
site visited Dec. 19, 2017. Available from Internet, URL: <http://www.parts-express.com> (Year: 2014).*

* cited by examiner

Primary Examiner — Derrick E Holland
Assistant Examiner — Janice Julia Patyk
(74) *Attorney, Agent, or Firm* — Law Office of Scott C
Harris Inc

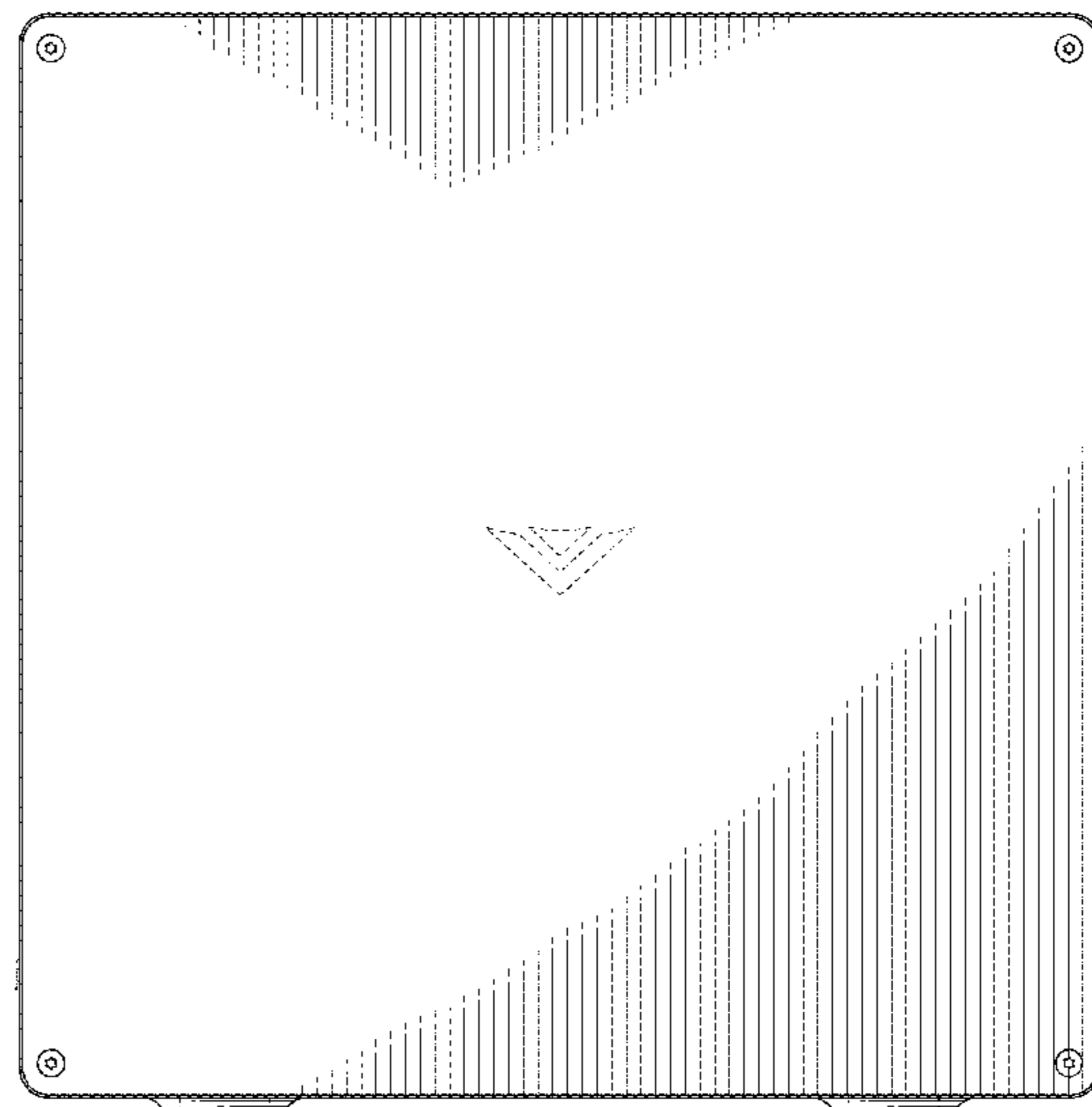
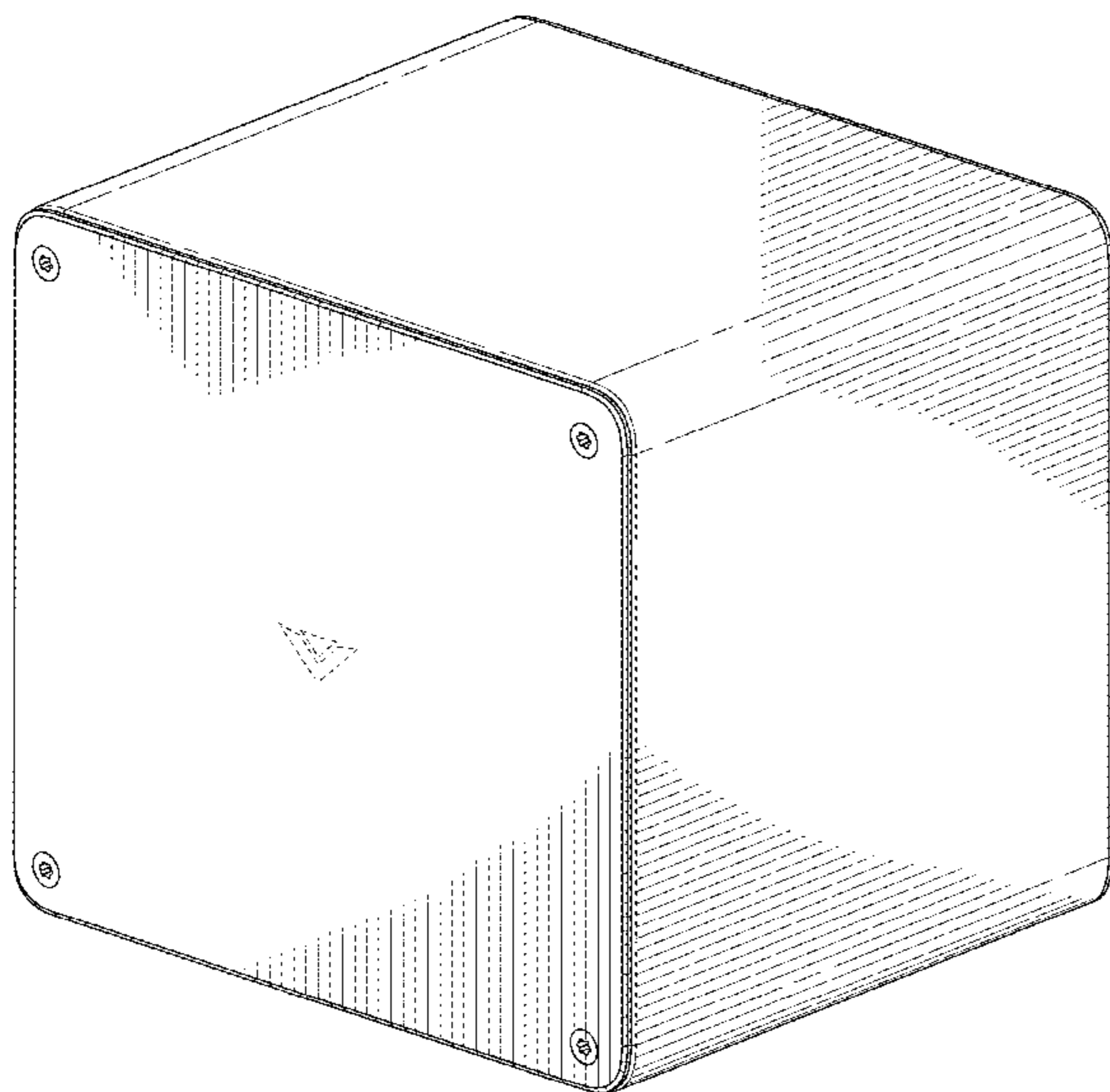
(57) **CLAIM**

We claim the ornamental design for a subwoofer speaker, as
shown and described.

DESCRIPTION

FIG. 1 is a perspective view of a subwoofer speaker,
showing our new design;
FIG. 2 is a front view thereof;
FIG. 3 is a rear view thereof;
FIG. 4 is a side view thereof;
FIG. 5 is an opposite side view thereof;
FIG. 6 is a top view thereof; and,
FIG. 7 is a bottom view thereof.
The broken lines in the figures illustrate the portions of the
design that form no part of the claimed design.

1 Claim, 7 Drawing Sheets



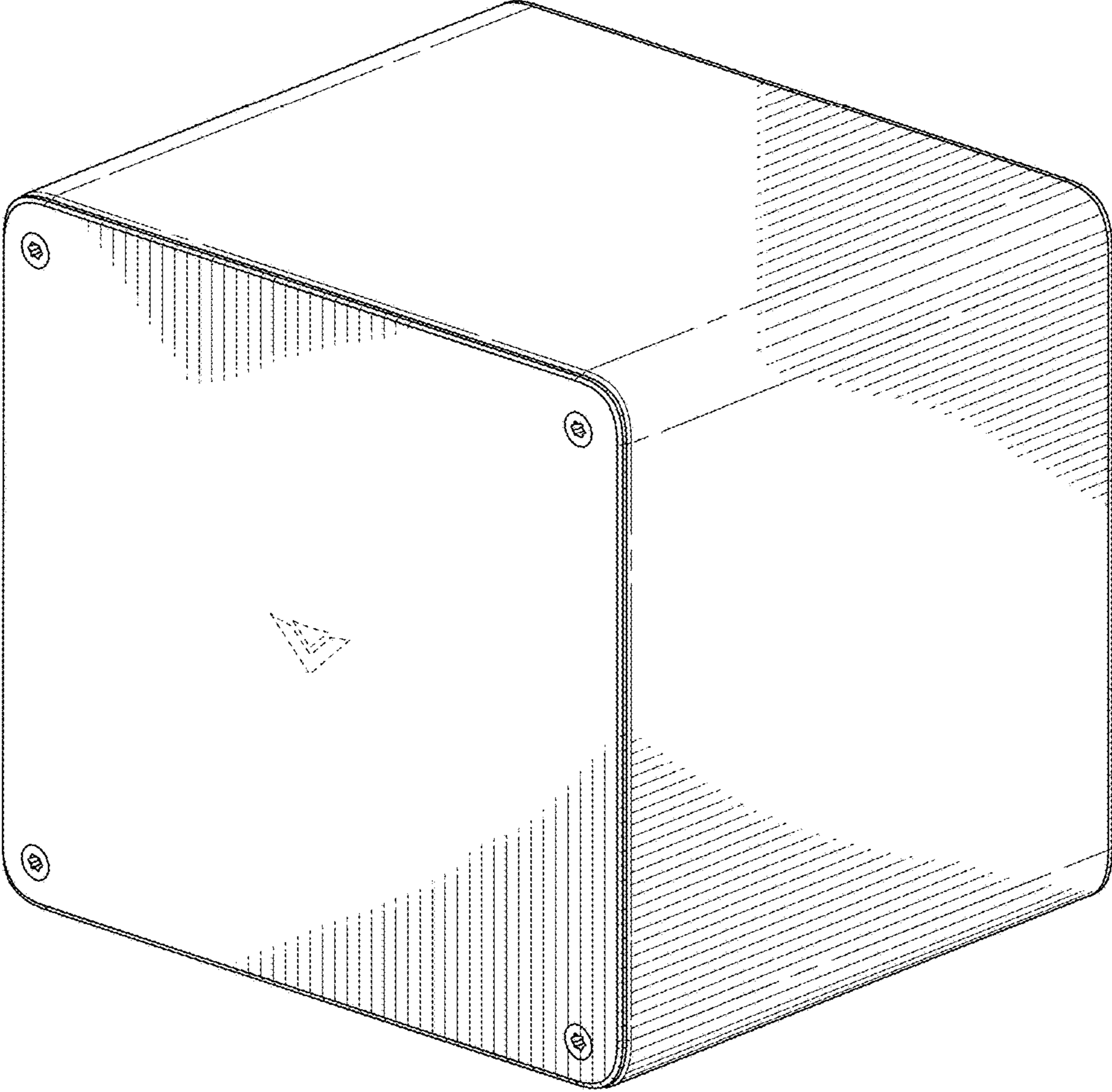


FIG. 1



FIG. 2

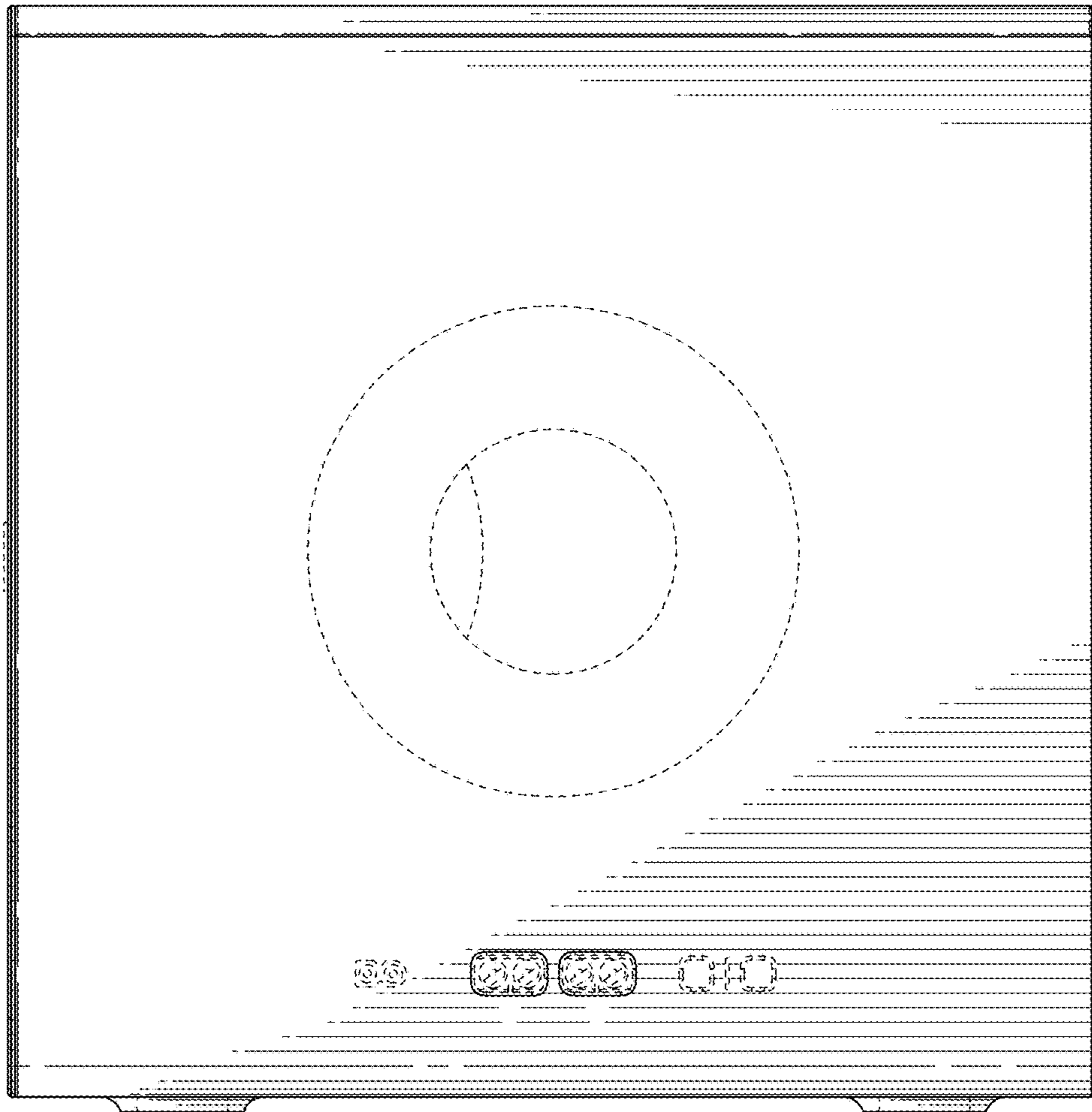


FIG. 3

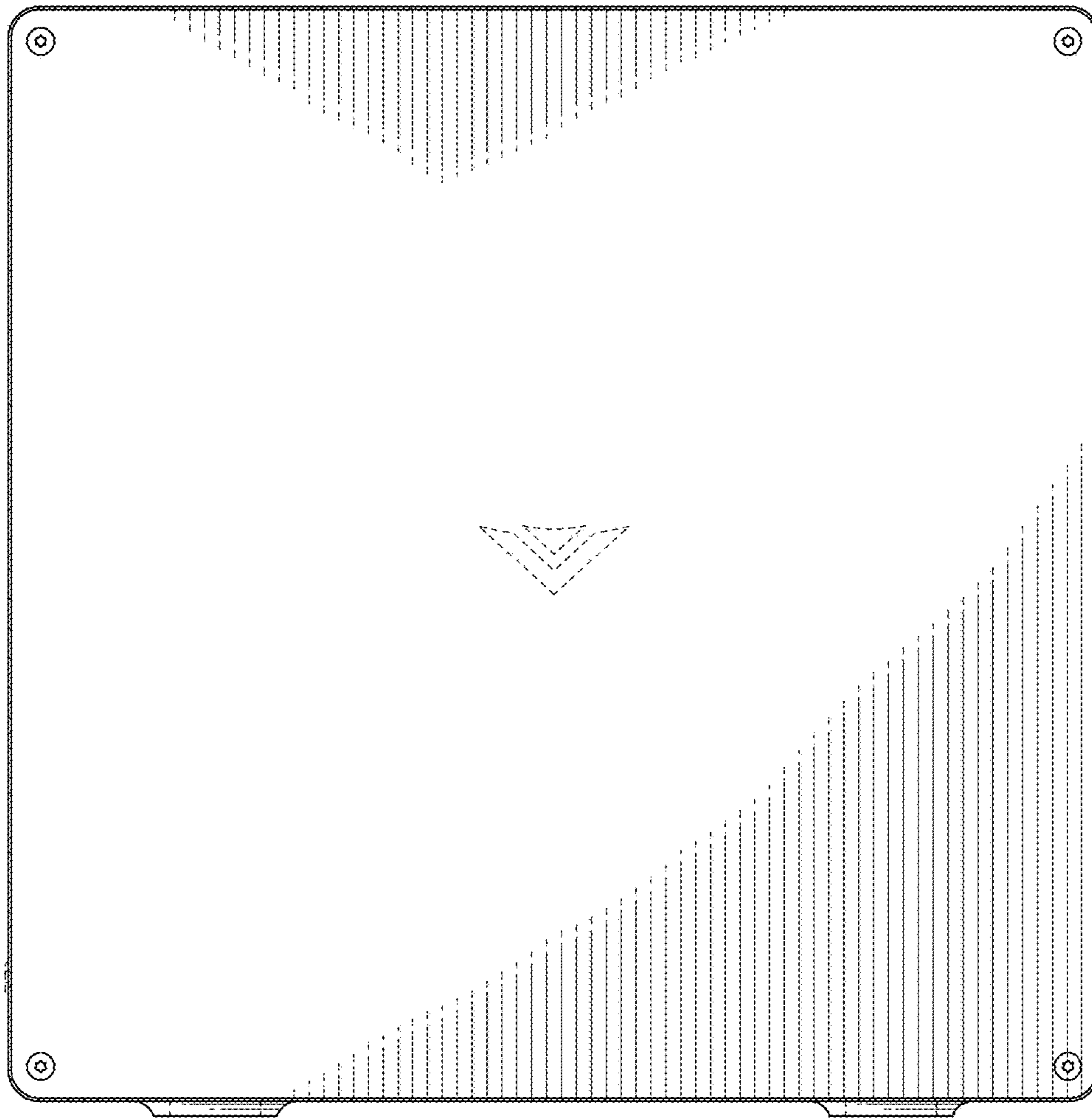


FIG. 4

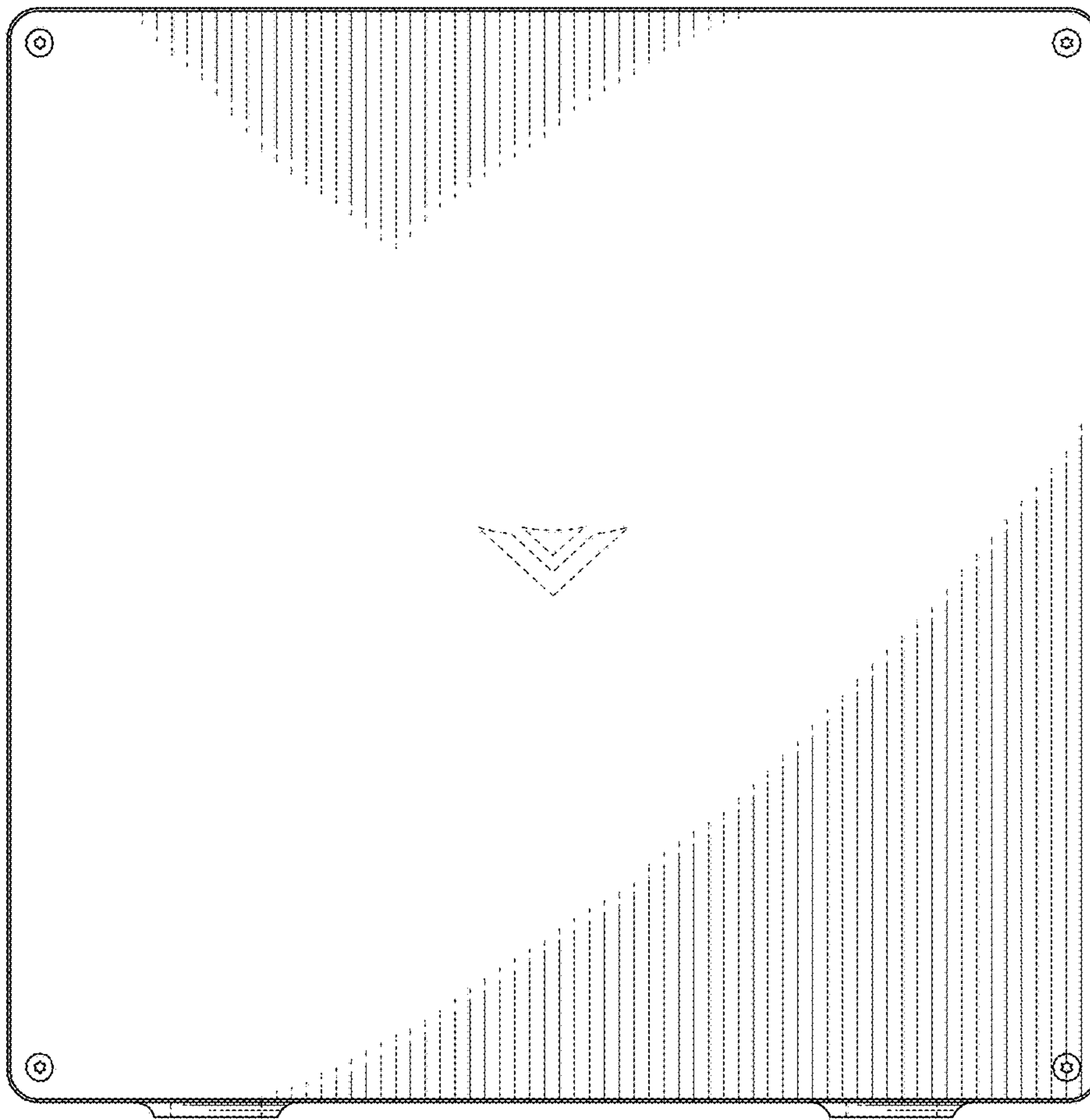


FIG. 5

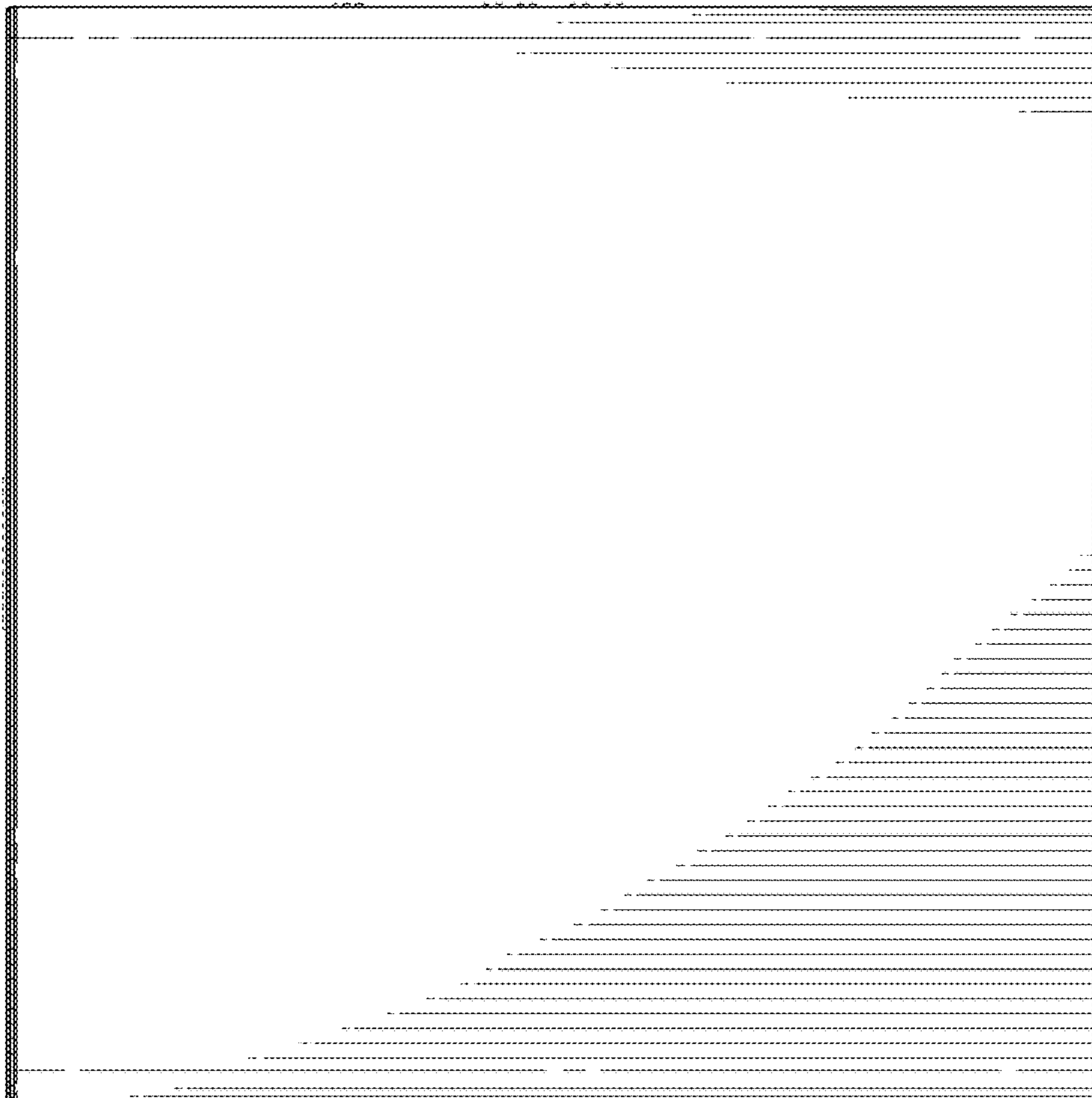


FIG. 6

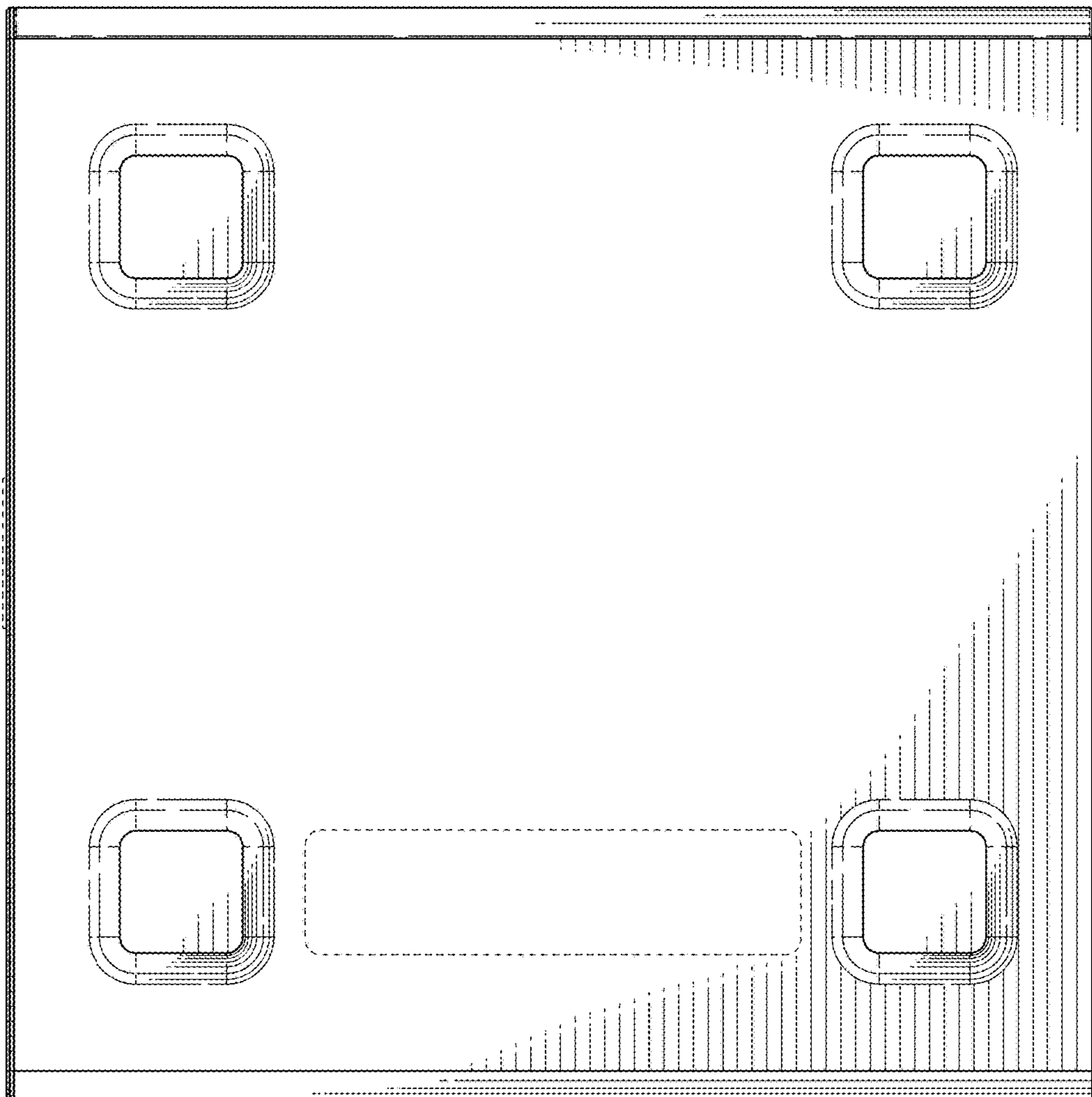


FIG. 7