



US00D830986S

(12) **United States Design Patent** (10) **Patent No.:** **US D830,986 S**
Morse et al. (45) **Date of Patent:** **** Oct. 16, 2018**

(54) **PORTABLE HANDHELD RADIO**

OTHER PUBLICATIONS

(71) Applicant: **Datron World Communications, Inc.**,
Vista, CA (US)
(72) Inventors: **Irwin H. Morse**, San Diego, CA (US);
Zbigniew Cyganik, Vista, CA (US);
Arthur L. Reynolds, III, Oceanside,
CA (US); **J. Andrew Moulds**,
Encinitas, CA (US); **Benjamin L.**
LaBelle, Carlsbad, CA (US); **Matthew**
R. Fallows, San Marcos, CA (US)

HH3100 Series Introducing the New Spectre M(R) Handheld Series
Radio., data sheet posted on www.dtwc.com, date not given, [online],
[site visited May 2, 2018], Available from Internet, URL: https://
www.dtwc.com/hh3100/.*

(Continued)

Primary Examiner — Jeffrey D Asch
(74) *Attorney, Agent, or Firm* — Knobbe Martens Olson
& Bear LLP

(73) Assignee: **Datron World Communications, Inc.**,
Vista, CA (US)

(57) **CLAIM**

(**) Term: **15 Years**

The ornamental design for a portable handheld radio, as
shown and described.

(21) Appl. No.: **29/594,284**

(22) Filed: **Feb. 16, 2017**

DESCRIPTION

(51) **LOC (11) Cl.** **14-03**

(52) **U.S. Cl.**
USPC **D14/137**

(58) **Field of Classification Search**
USPC D14/137, 138 R, 138 AA, 147, 148, 218,
D14/155, 159, 142, 225, 226, 191, 188,
D14/192, 194, 197, 198, 250, 230, 236;
D21/517; D10/104.1, 104.2, 106.1, 65;
D13/168; D8/403
CPC H04B 1/3833; H04B 1/3827; H04B
2001/3861; H04B 1/3888; H04M 1/0202;
H04M 1/03; H04M 1/035; H04W 76/005;
G08B 21/0202
See application file for complete search history.

FIG. 1 is a front right and top perspective view of a portable
handheld radio in accordance with the present invention.
FIG. 2 is a left side elevation view of the portable handheld
radio of FIG. 1.
FIG. 3 is a right side elevation view of the portable handheld
radio of FIG. 1.
FIG. 4 is a front elevation view of the portable handheld
radio of FIG. 1.
FIG. 5 is a rear elevation view of the portable handheld radio
of FIG. 1.
FIG. 6 is a top plan view of the portable handheld radio of
FIG. 1.
FIG. 7 is a bottom plan view of the portable handheld radio
of FIG. 1; and,
FIG. 8 is an exploded front right and top perspective view
of the portable handheld radio of FIG. 1.
Broken lines are used to illustrate portions of the portable
handheld radio that form no part of the claimed design. The
thicker broken lines in FIG. 8 show a bracket that embraces
the separated parts and form no part of the claimed design.

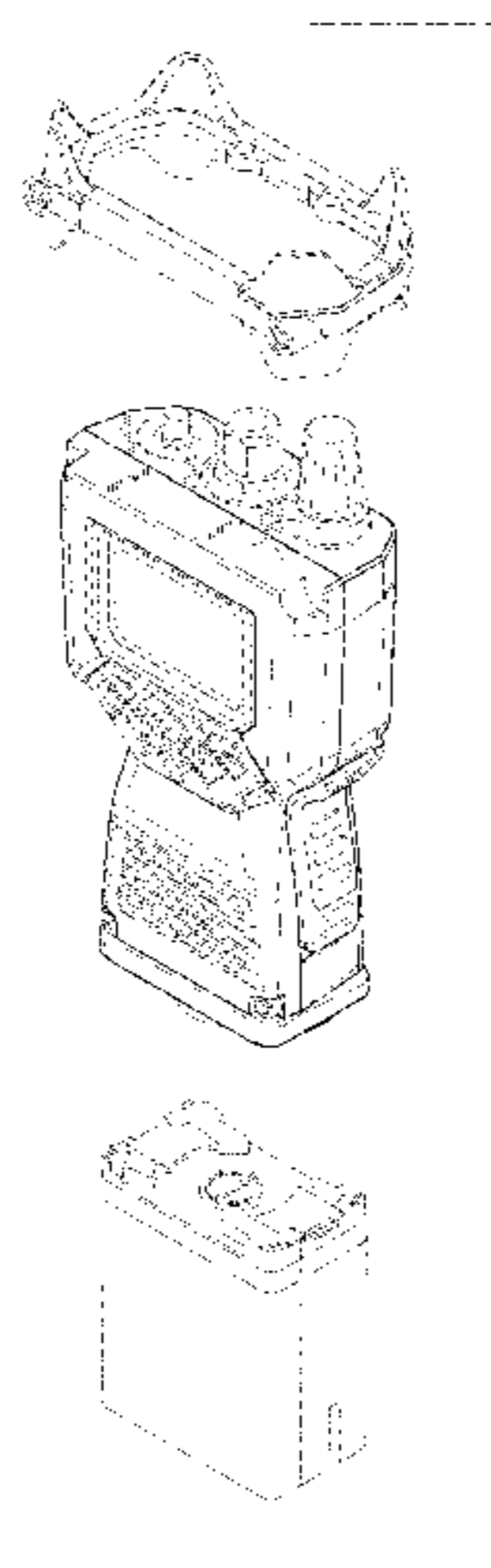
(56) **References Cited**

U.S. PATENT DOCUMENTS

D162,528 S * 3/1951 Ercolino D14/236
D295,404 S * 4/1988 Tokiyama D14/137
D330,159 S * 10/1992 Dodds D8/403

(Continued)

1 Claim, 5 Drawing Sheets



(56)

References Cited

U.S. PATENT DOCUMENTS

D340,927 S * 11/1993 Goatman D14/137
 5,657,052 A * 8/1997 Lerude G06F 1/1626
 341/22
 D390,554 S * 2/1998 Larson D14/137
 D405,800 S * 2/1999 Brown D14/230
 6,034,638 A * 3/2000 Thiel H01Q 1/242
 343/702
 6,075,977 A * 6/2000 Bayrami A61N 1/16
 343/841
 D451,484 S * 12/2001 Page D14/137
 D451,896 S * 12/2001 Kim D14/137
 6,435,690 B1 * 8/2002 Till H04M 1/0202
 362/577
 D479,220 S * 9/2003 Lammers-Meis D14/188
 D490,064 S * 5/2004 Yi D14/137
 D490,786 S * 6/2004 Richards D14/137
 D497,600 S 10/2004 Richards et al.
 6,993,365 B2 * 1/2006 Fujino H04B 1/3877
 455/3.01
 D531,067 S * 10/2006 Baumgaertner D10/65
 D561,143 S * 2/2008 Mukai D14/137
 D564,999 S 3/2008 Richards et al.
 D569,358 S * 5/2008 Devenish, III D14/137
 D595,679 S * 7/2009 Devenish, III D14/137
 D602,893 S * 10/2009 Nishida D14/137
 D605,616 S 12/2009 Scott et al.
 D623,652 S * 9/2010 Hsu D14/218
 D635,945 S * 4/2011 Richards D14/137
 D641,354 S * 7/2011 Hsu D14/341
 8,078,217 B2 * 12/2011 Garcia H04B 1/3833
 379/433.02

D655,267 S * 3/2012 Daniel D14/137
 D725,085 S 3/2015 Barker et al.
 D730,866 S * 6/2015 Aihсан D14/188
 D731,452 S * 6/2015 Yong D14/137
 D754,089 S 4/2016 Yong et al.
 D784,942 S * 4/2017 Duran D14/137
 9,935,668 B1 * 4/2018 Morse H04B 1/3888
 D816,632 S * 5/2018 Yamamoto D14/137
 D816,639 S * 5/2018 Abe D14/226
 2008/0242375 A1 * 10/2008 Garcia H04B 1/3833
 455/575.1
 2014/0099905 A1 * 4/2014 Jimenez H04M 1/0256
 455/90.2
 2015/0171505 A1 * 6/2015 Harel H01Q 1/243
 455/90.3
 2015/0296351 A1 * 10/2015 Tham H04W 4/10
 455/518

OTHER PUBLICATIONS

C51 DSA 2018: Take me to your leader!, posted Monch Publishing Group, date not given, [online], [site visited May 2, 2018], Available from Internet, URL: <http://www.monch.com/mpg/news/c5i/3183-datron-hh.html>.
 "Datron Launches New Spectre V® Tactical VHF Handheld Radio," DSEI, Booth N4-316, London, UK, Sep. 10, 2013.
 "Introducing the New Spectre V® Handheld Radio," Datron World Communications, Inc., downloaded Aug. 16, 2017 from www.dtwc.com.
 "HH7700 VHF Handheld Transceiver section 10," Datron World Communications, Inc., Jul. 2014.

* cited by examiner

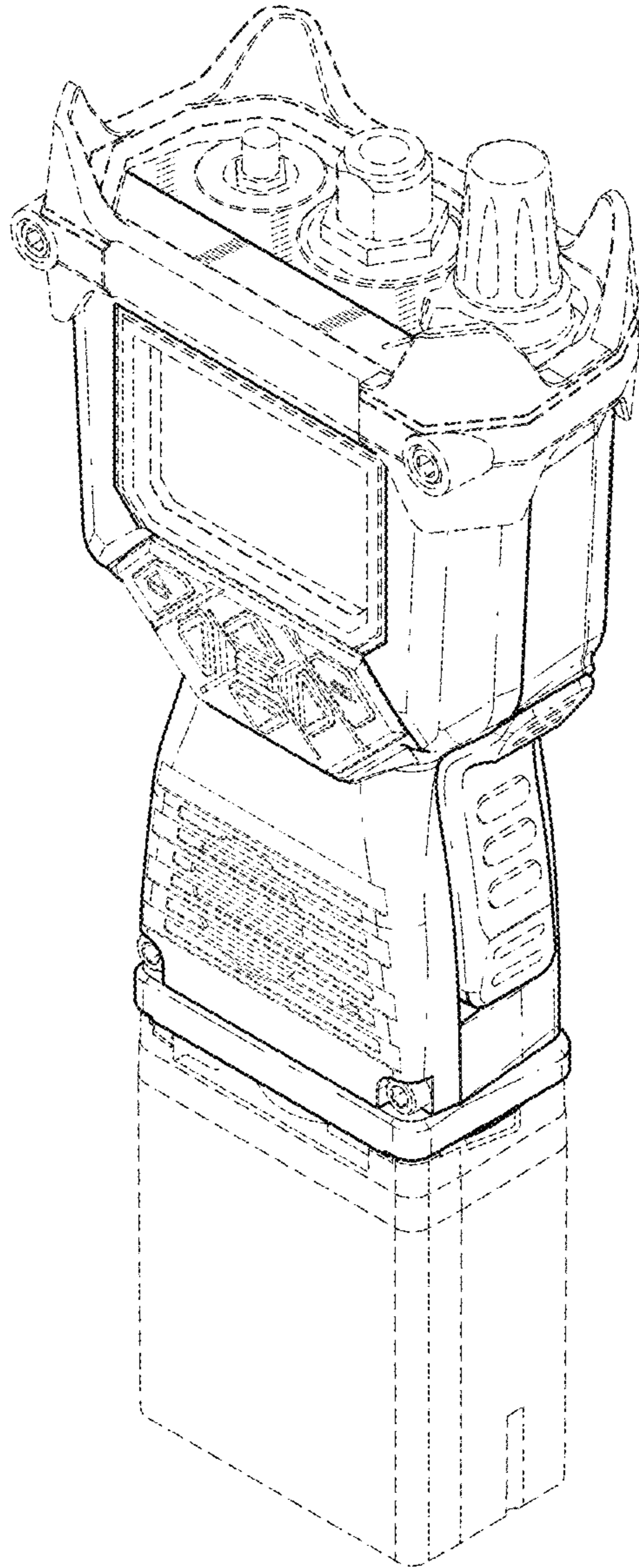


FIG. 1

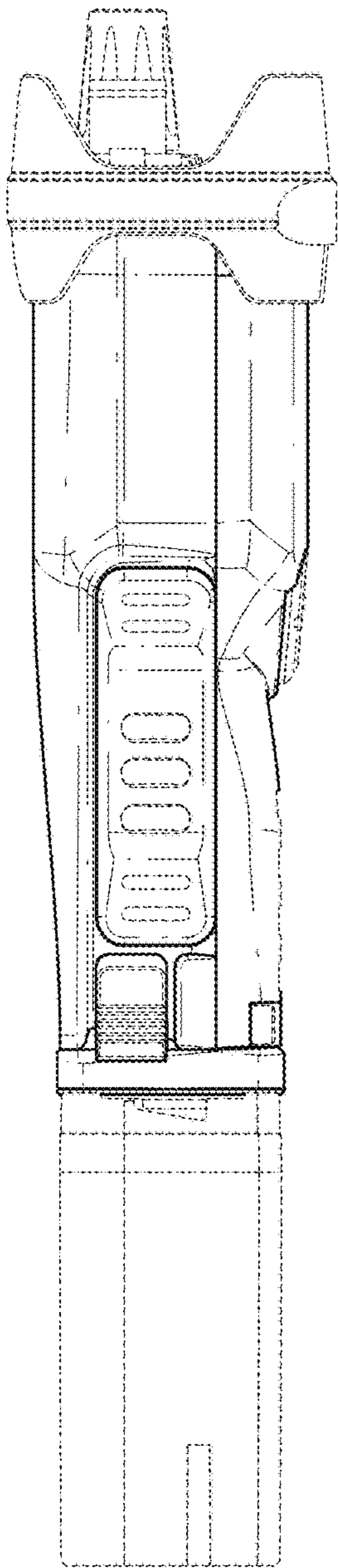


FIG. 2

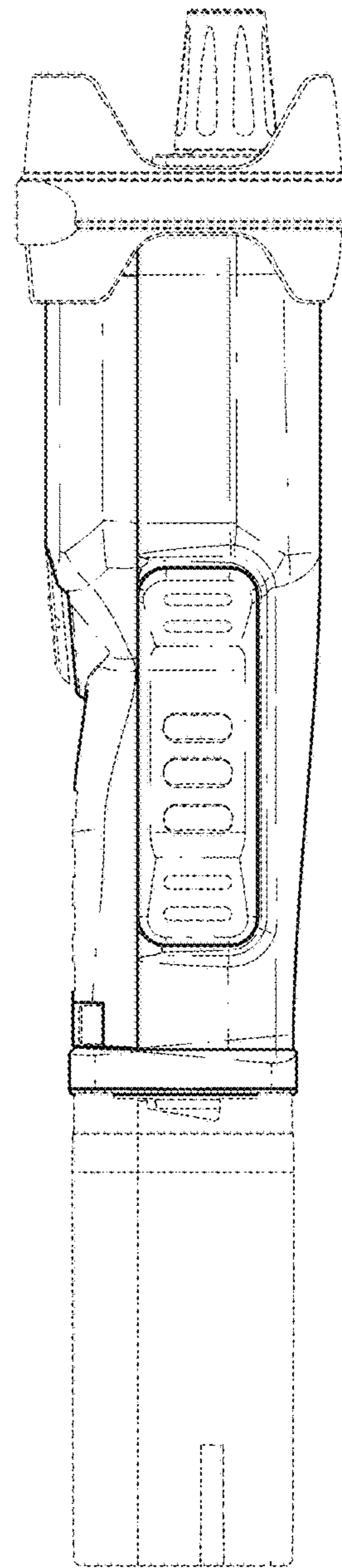


FIG. 3

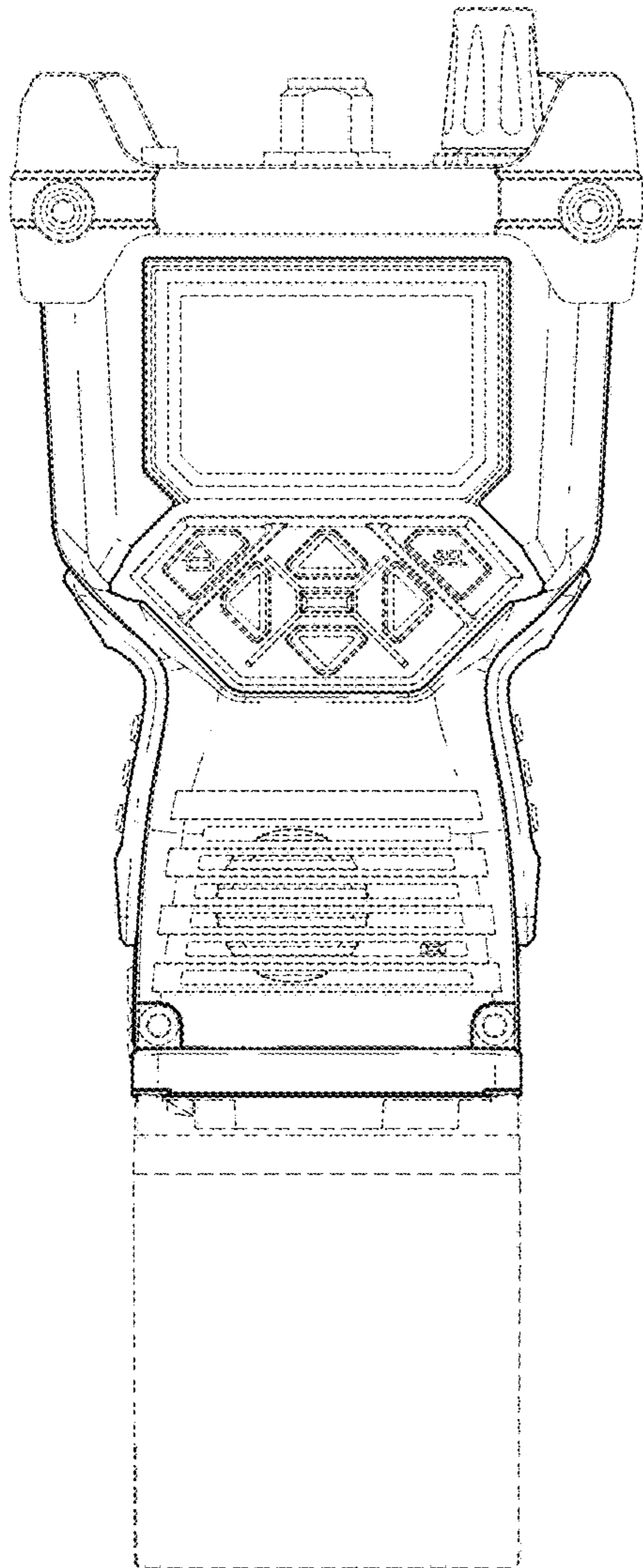


FIG. 4

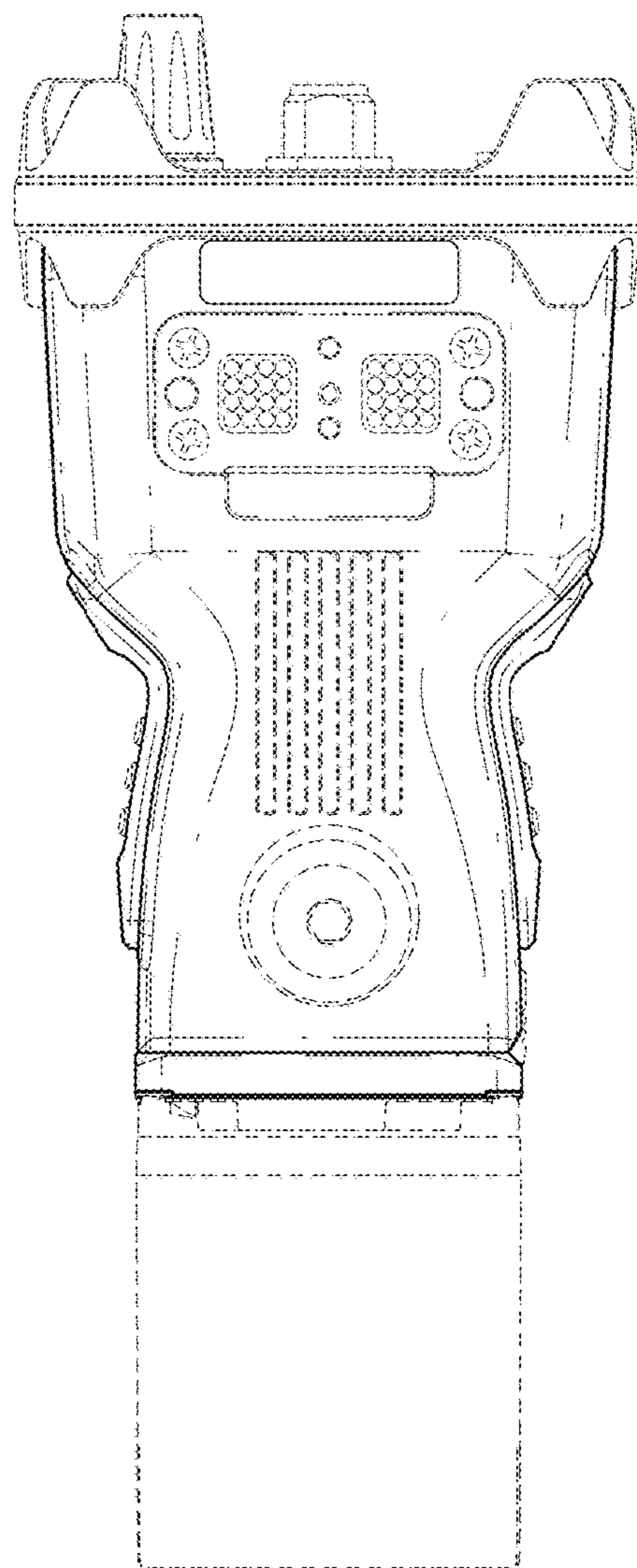


FIG. 5

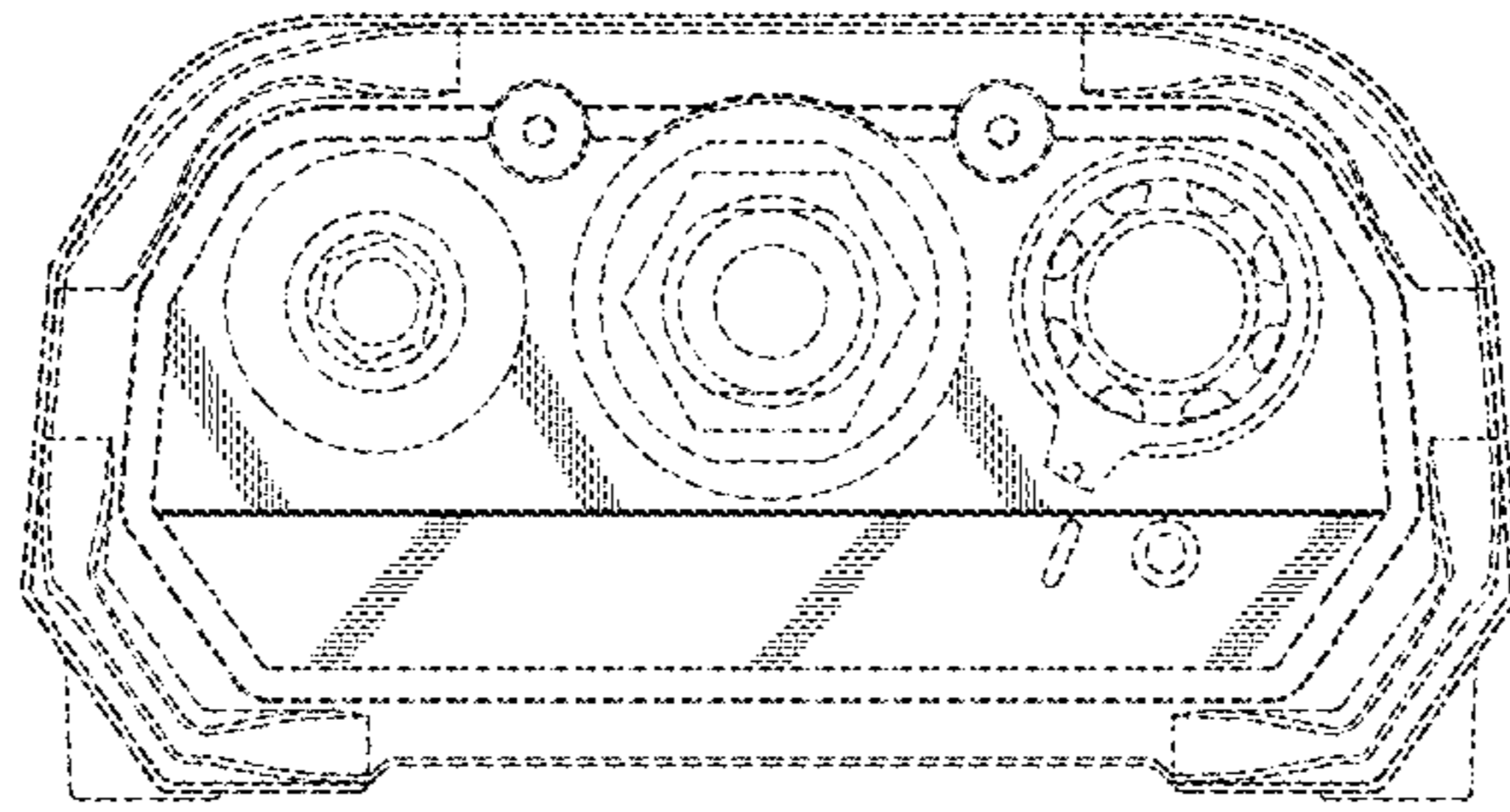


FIG. 6

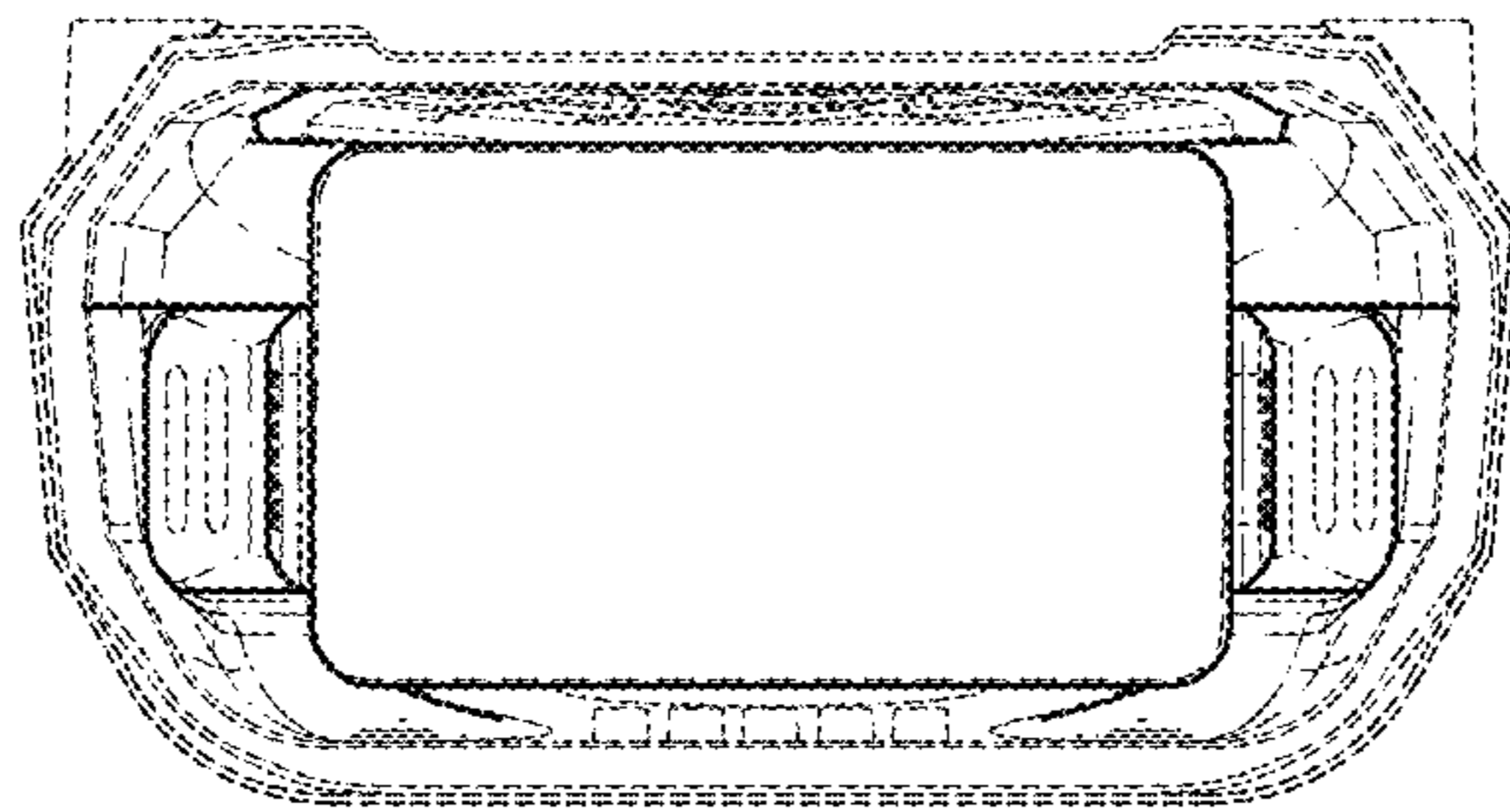


FIG. 7

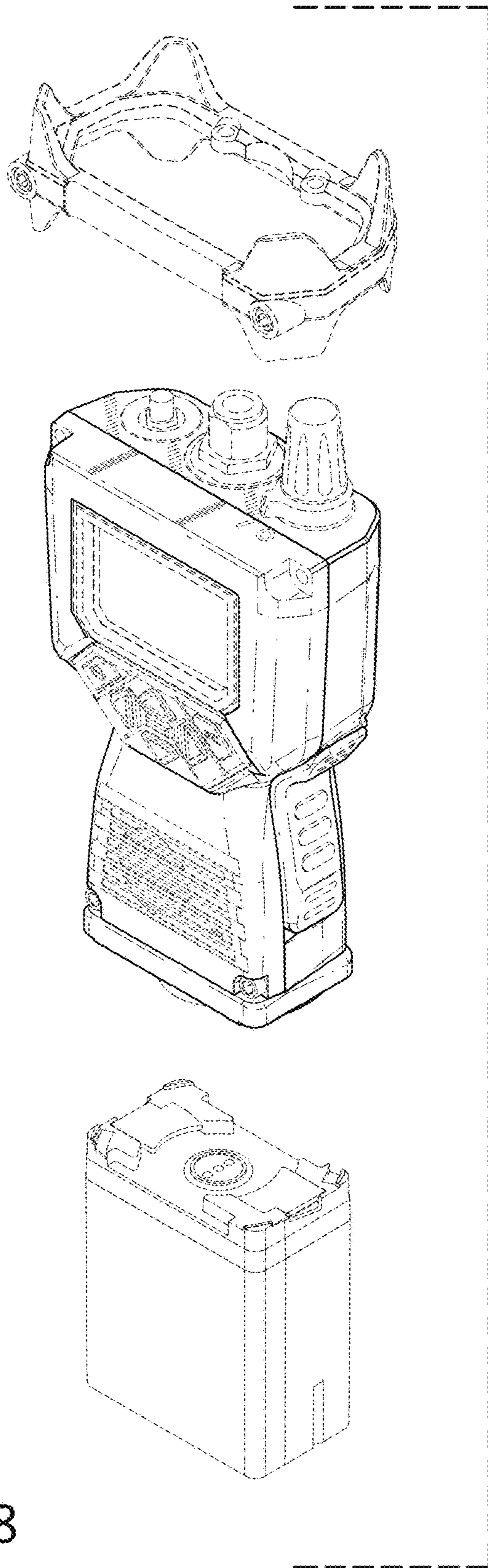


FIG. 8