



US00D830985S

(12) **United States Design Patent**
Cha et al.

(10) **Patent No.:** **US D830,985 S**

(45) **Date of Patent:** **** Oct. 16, 2018**

(54) **TELEVISION APPARATUS**

(71) Applicant: **LG ELECTRONICS INC.**, Seoul (KR)

(72) Inventors: **Hyunbyung Cha**, Seoul (KR);
Yoonkyeong Lee, Seoul (KR);
Youngwon Jeong, Seoul (KR);
Byungmu Huh, Seoul (KR)

(73) Assignee: **LG ELECTRONICS INC.**, Seoul (KR)

(**) Term: **15 Years**

(21) Appl. No.: **35/503,827**

(22) Filed: **Apr. 12, 2017**

(80) **Hague Agreement Data**

Int. Filing Date: **Apr. 12, 2017**

Int. Reg. No.: **DM/095737**

Int. Reg. Date: **Apr. 12, 2017**

Int. Reg. Pub. Date: **Oct. 13, 2017**

(30) **Foreign Application Priority Data**

Oct. 18, 2016 (KR) 30-2016-0049928

(51) **LOC (11) Cl.** **14-03**

(52) **U.S. Cl.**
USPC **D14/126**

(58) **Field of Classification Search**
USPC D14/126, 127, 128, 336, 448
CPC .. H05K 5/0017; H05K 5/0204; G06F 1/1692;
G06F 1/165; G06F 1/1601; G06F 1/1637;
H04N 5/64
See application file for complete search history.

(56) **References Cited**

U.S. PATENT DOCUMENTS

D666,165 S * 8/2012 Kim D14/126

D675,175 S * 1/2013 Kim D14/126

D691,102 S *	10/2013	Park	D14/126
D699,699 S *	2/2014	Park	D14/126
D719,538 S *	12/2014	Lee	D14/126
D726,137 S *	4/2015	Lee	D14/126
D758,983 S *	6/2016	Kim	D14/126
D763,213 S *	8/2016	Ann	D14/126
D773,418 S *	12/2016	Won	D14/126
D774,482 S *	12/2016	Hong	D14/126
D786,868 S *	5/2017	Kim	D14/374
D796,465 S *	9/2017	Kim	D14/126
D808,353 S *	1/2018	Lee	D14/126

* cited by examiner

Primary Examiner — Michael A. Pratt

(74) *Attorney, Agent, or Firm* — Birch, Stewart, Kolasch & Birch, LLP

(57) **CLAIM**

The ornamental design for a television apparatus, as shown and described.

DESCRIPTION

1. Television apparatus

1.1 : Perspective

1.2 : Front

1.3 : Back

1.4 : Left

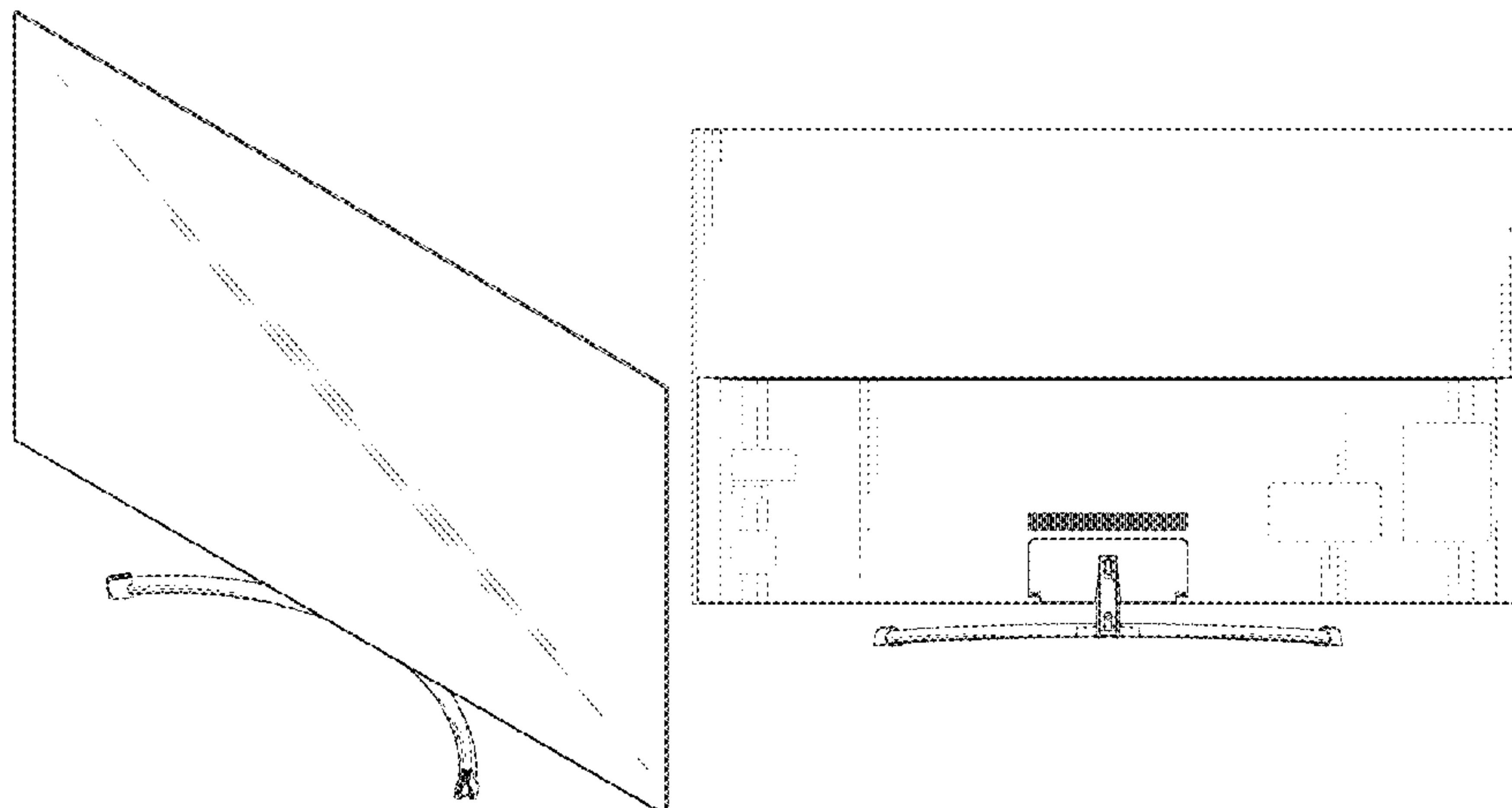
1.5 : Right

1.6 : Top

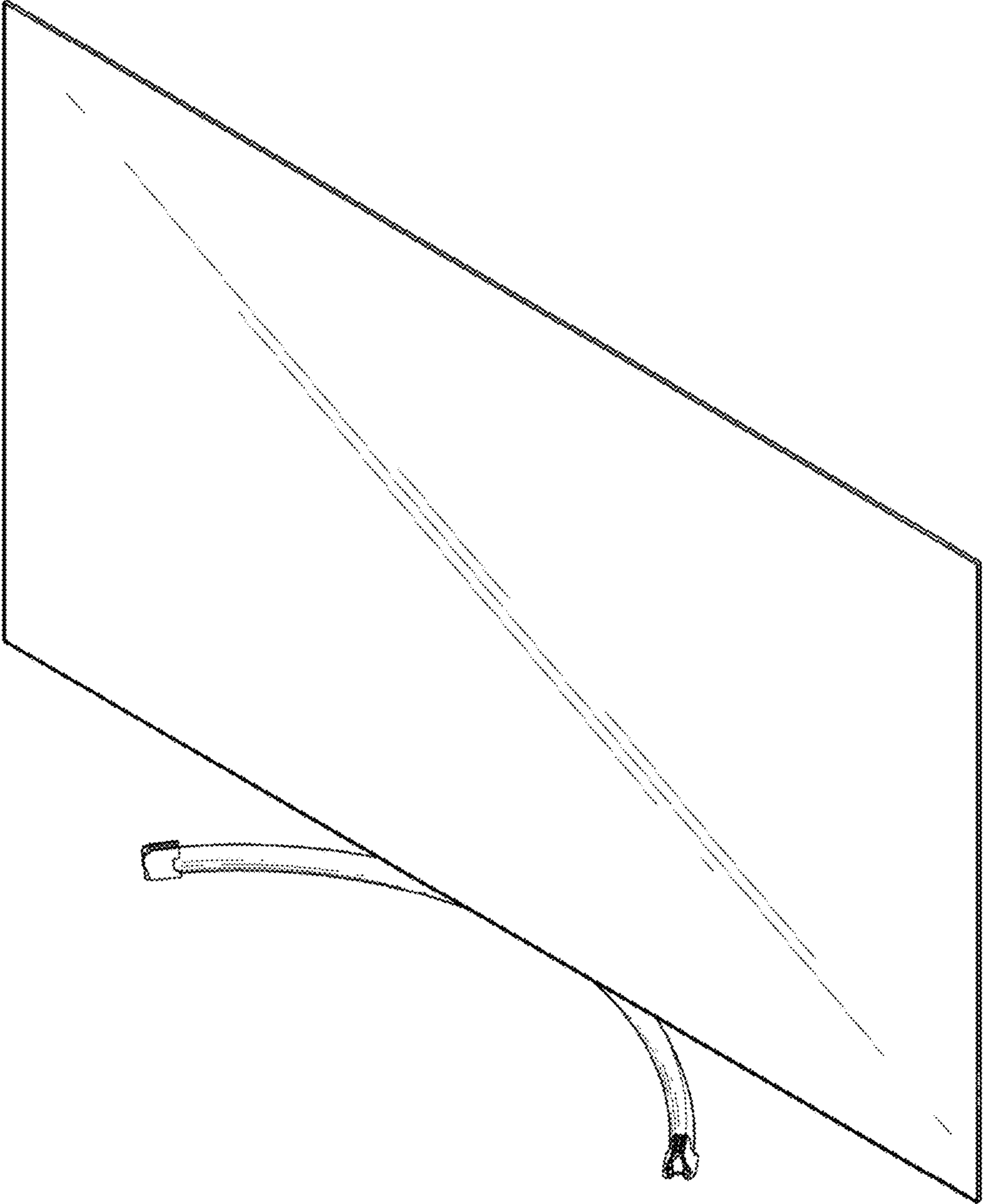
1.7 : Bottom

The gist of the present ornamental design is a combination of shape and pattern of “television apparatus” as shown and described; the parallel fine lines shown in all the drawings indicate the relief of surface of the product; the broken lines indicate unclaimed portion of the article that form no part of the claimed design.

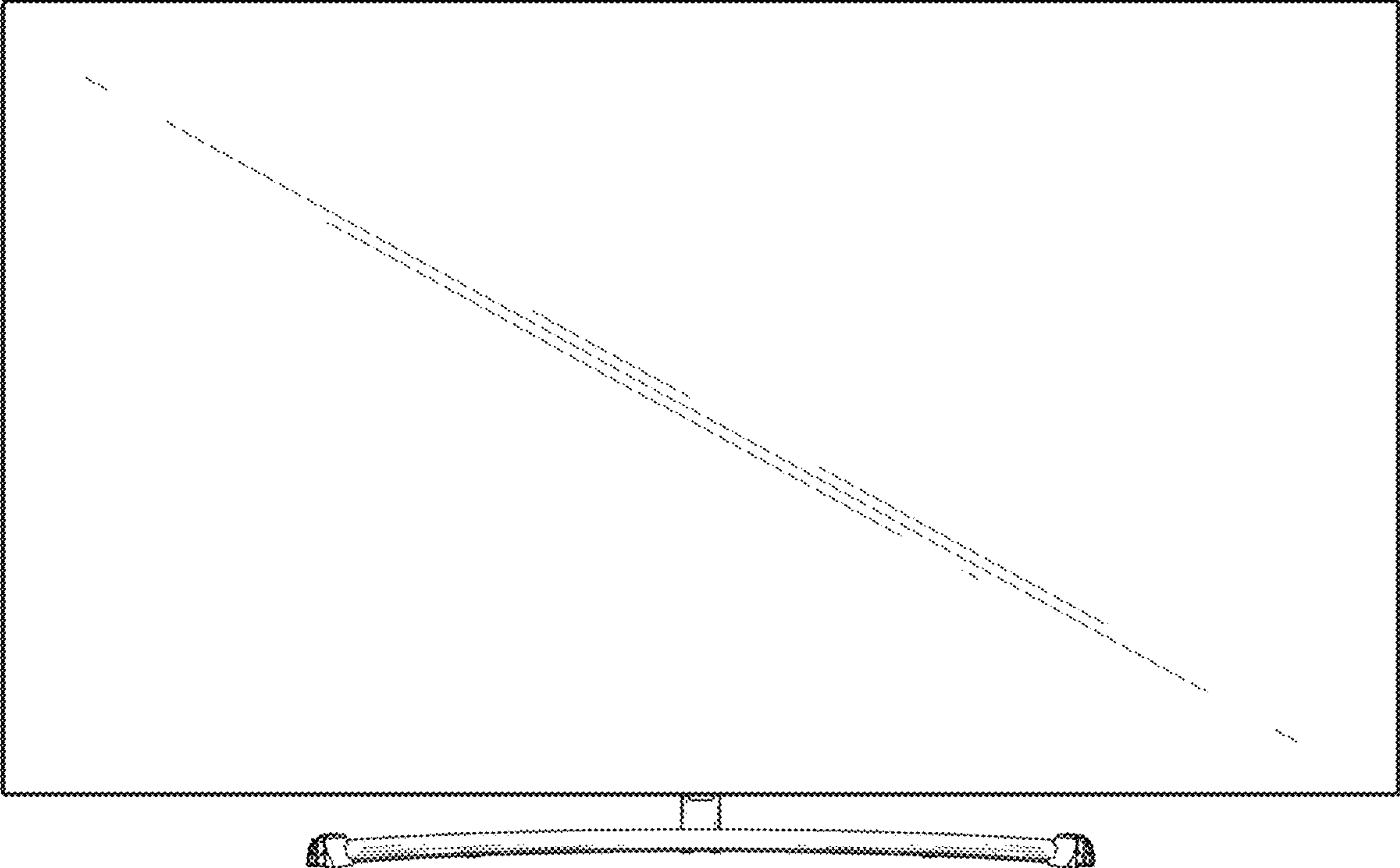
1 Claim, 7 Drawing Sheets



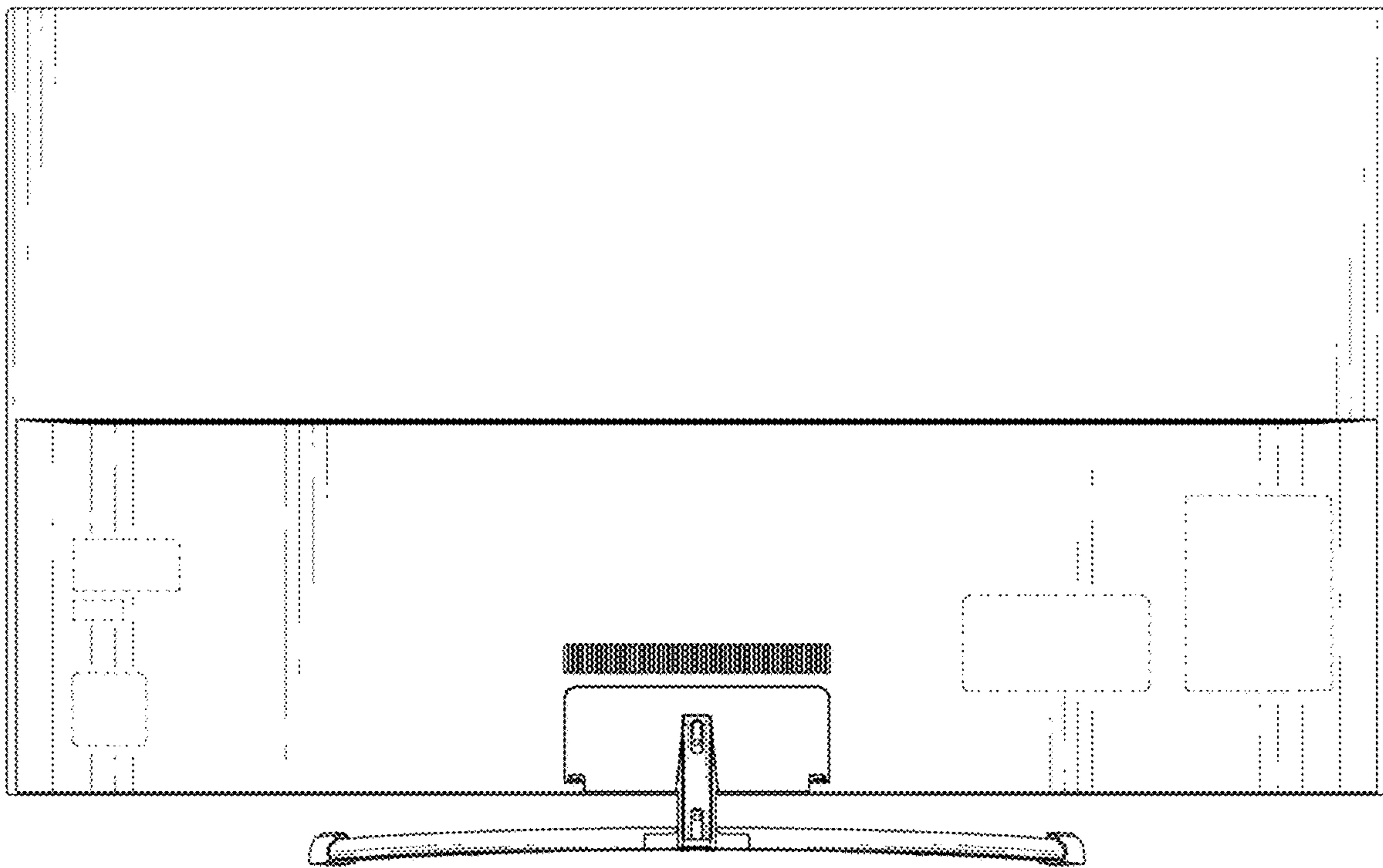
1.1



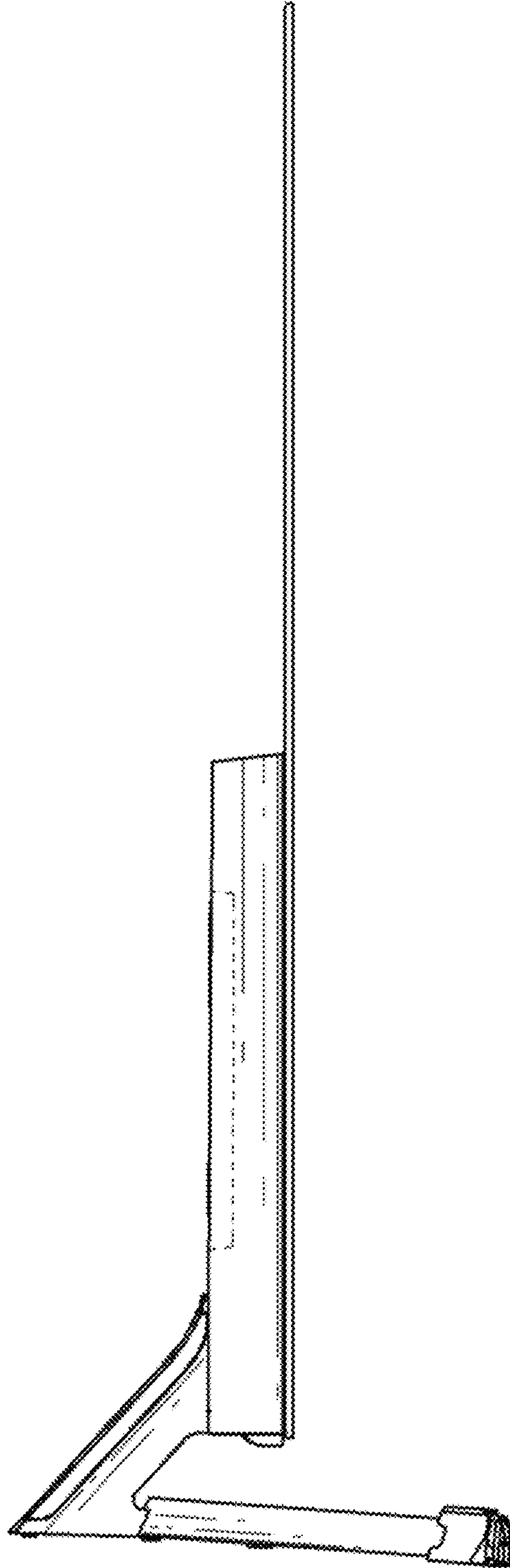
1.2



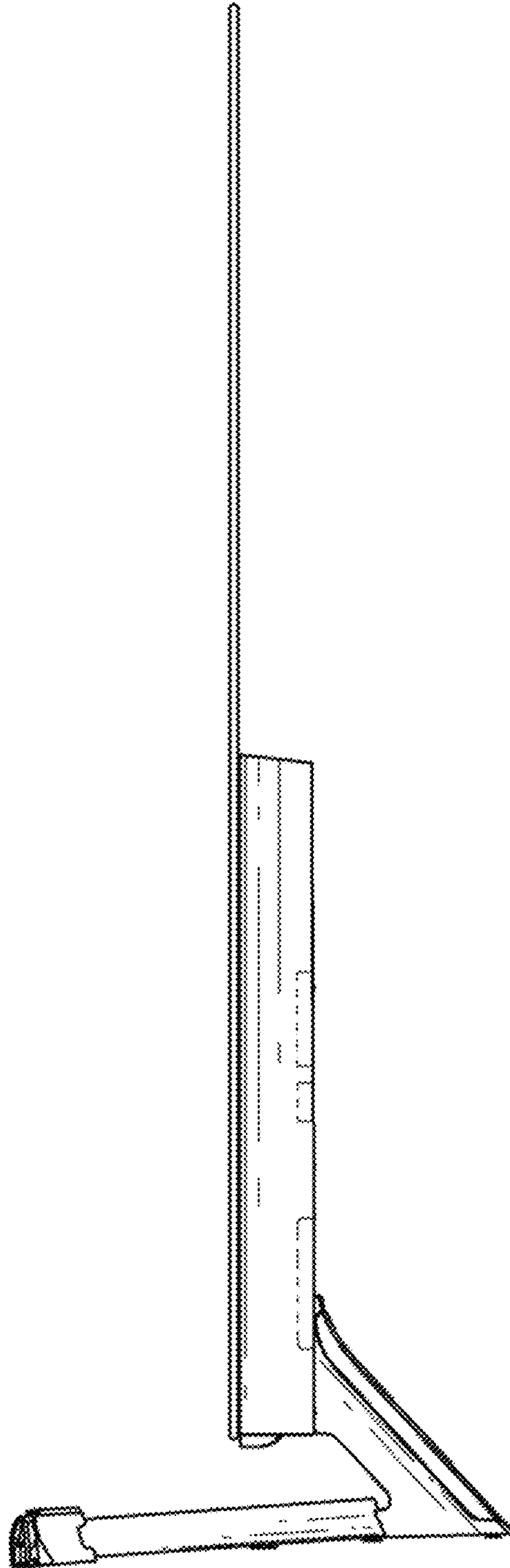
1.3



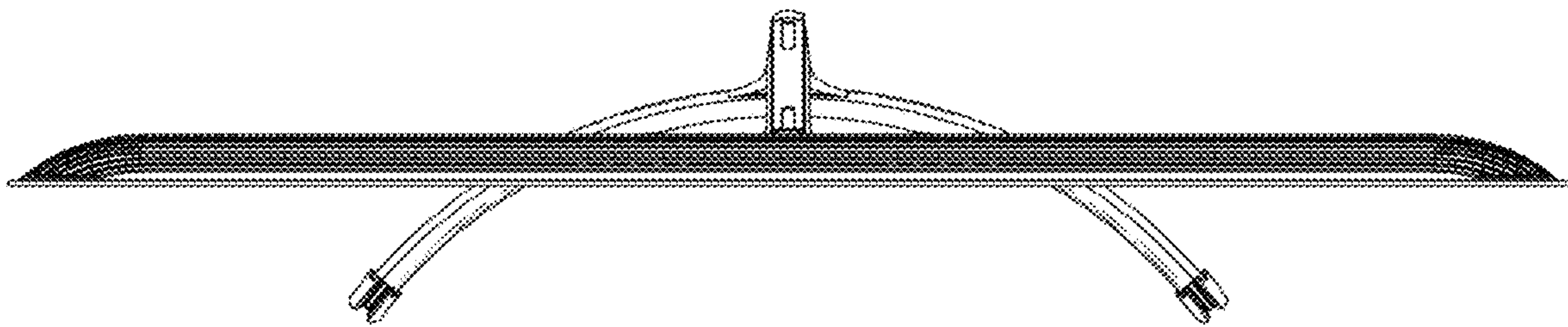
1.4



1.5



1.6



1.7

