



US00D830984S

(12) **United States Design Patent**
Kim et al.

(10) **Patent No.:** **US D830,984 S**
(45) **Date of Patent:** **** Oct. 16, 2018**

(54) **TELEVISION APPARATUS**
(71) Applicant: **LG ELECTRONICS INC**, Seoul (KR)
(72) Inventors: **Taeho Kim**, Seoul (KR); **Jongchul Kim**, Seoul (KR); **Bumsang Lee**, Seoul (KR); **Byungmu Huh**, Seoul (KR)
(73) Assignee: **LG ELECTRONICS INC.**, Seoul (KR)

D675,175 S * 1/2013 Kim D14/126
D691,102 S * 10/2013 Park D14/126
D699,699 S * 2/2014 Park D14/126
D725,616 S * 3/2015 Oh D14/126
D746,243 S * 12/2015 Gao D14/126
D758,983 S * 6/2016 Kim D14/126
D763,213 S * 8/2016 Ann D14/126
D796,463 S * 9/2017 So D14/126
D796,465 S * 9/2017 Kim D14/126
D808,353 S * 1/2018 Lee D14/126

* cited by examiner

(**) Term: **15 Years**
(21) Appl. No.: **35/503,737**
(22) Filed: **Mar. 29, 2017**

Primary Examiner — Michael A. Pratt
(74) *Attorney, Agent, or Firm* — Birch, Stewart, Kolasch & Birch, LLP

(80) **Hague Agreement Data**
Int. Filing Date: **Mar. 29, 2017**
Int. Reg. No.: **DM/095491**
Int. Reg. Date: **Mar. 29, 2017**
Int. Reg. Pub. Date: **Sep. 29, 2017**

(57) **CLAIM**

The ornamental design for a television apparatus, as shown and described.

(30) **Foreign Application Priority Data**
Sep. 30, 2016 (KR) 30-2016-0047383
(51) **LOC (11) Cl.** **14-03**
(52) **U.S. Cl.**
USPC **D14/126**
(58) **Field of Classification Search**
USPC D14/126, 127, 128, 336, 448
CPC .. H05K 5/0017; H05K 5/0204; G06F 1/1692;
G06F 1/165; G06F 1/1601; G06F 1/1637;
H04N 5/64
See application file for complete search history.

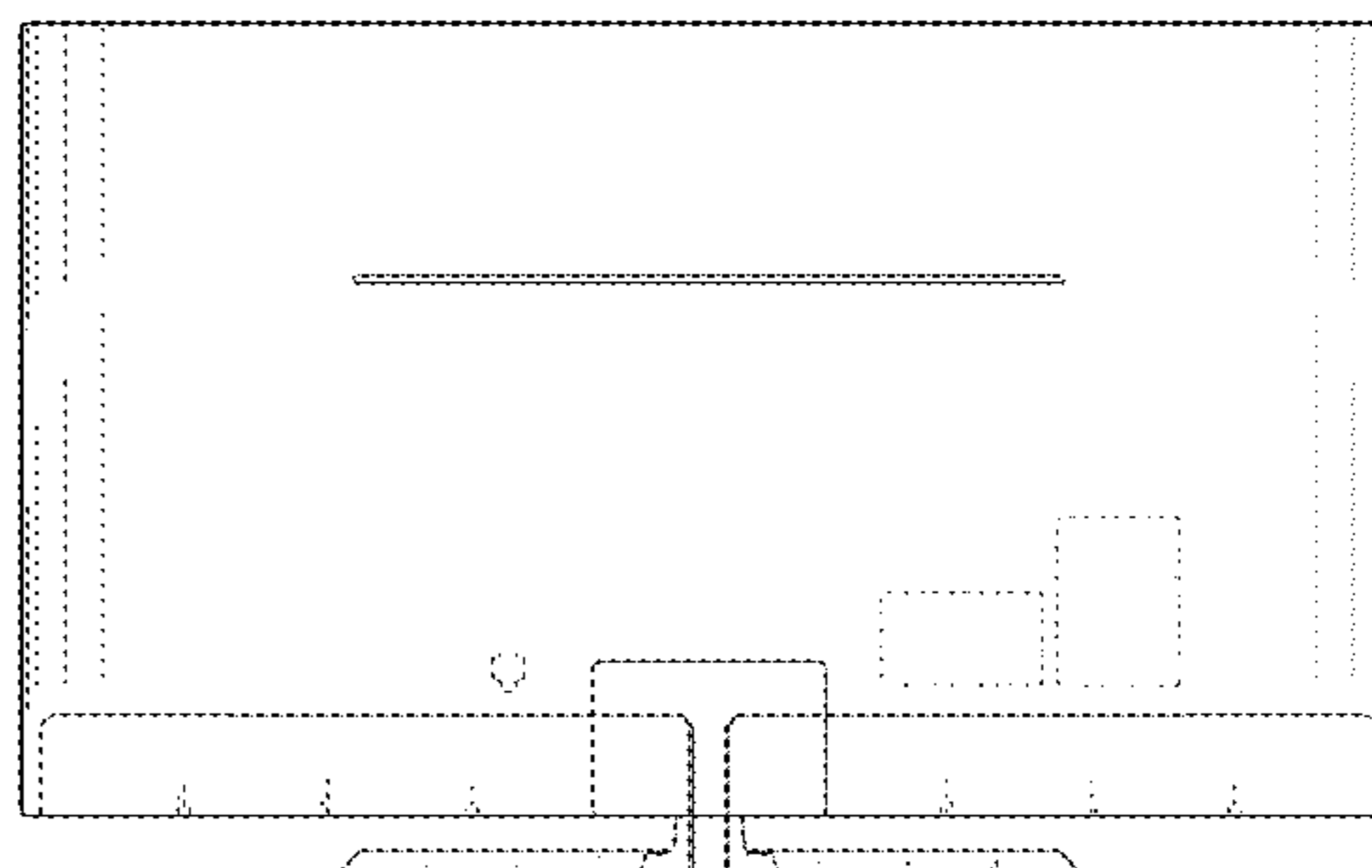
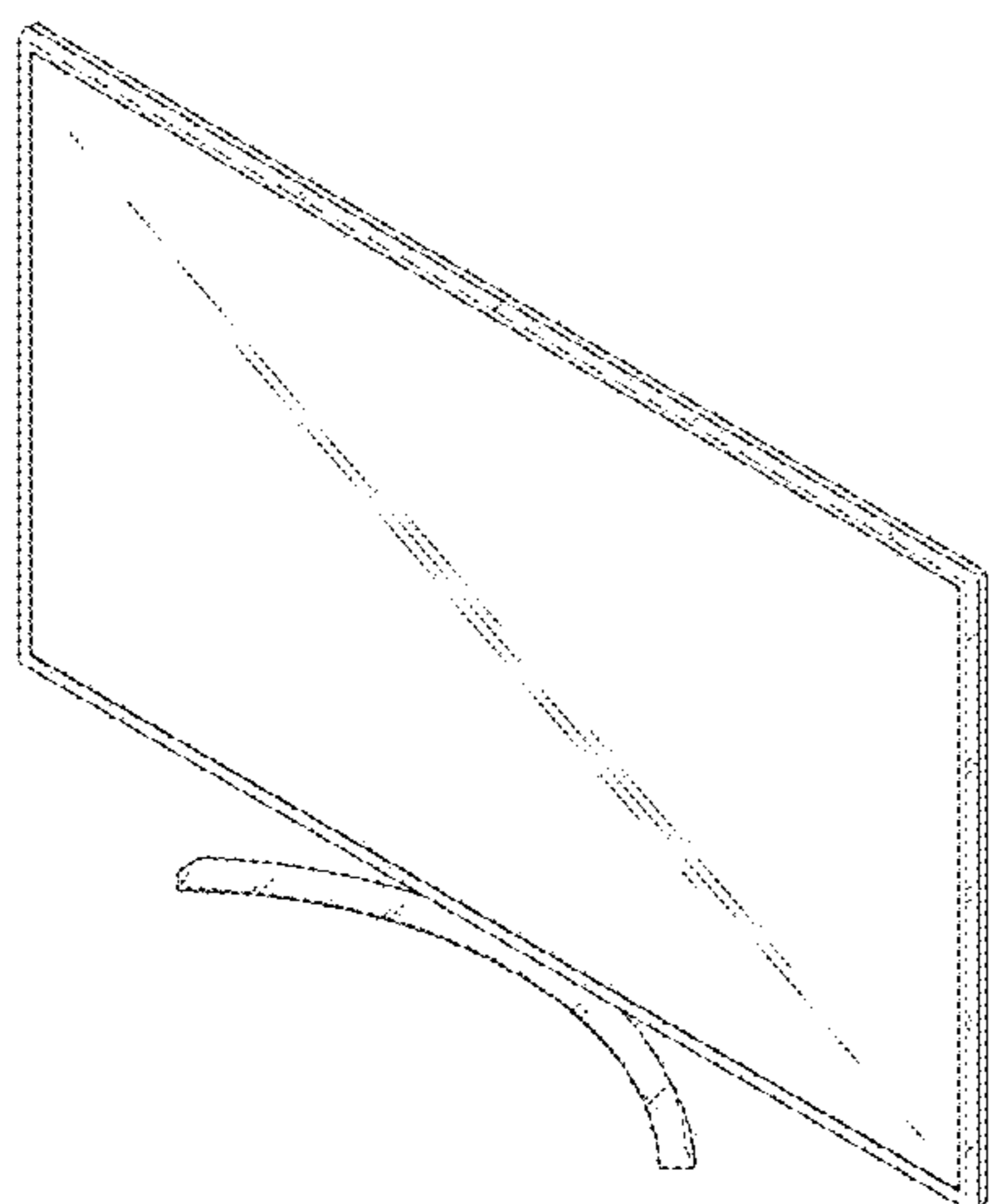
DESCRIPTION

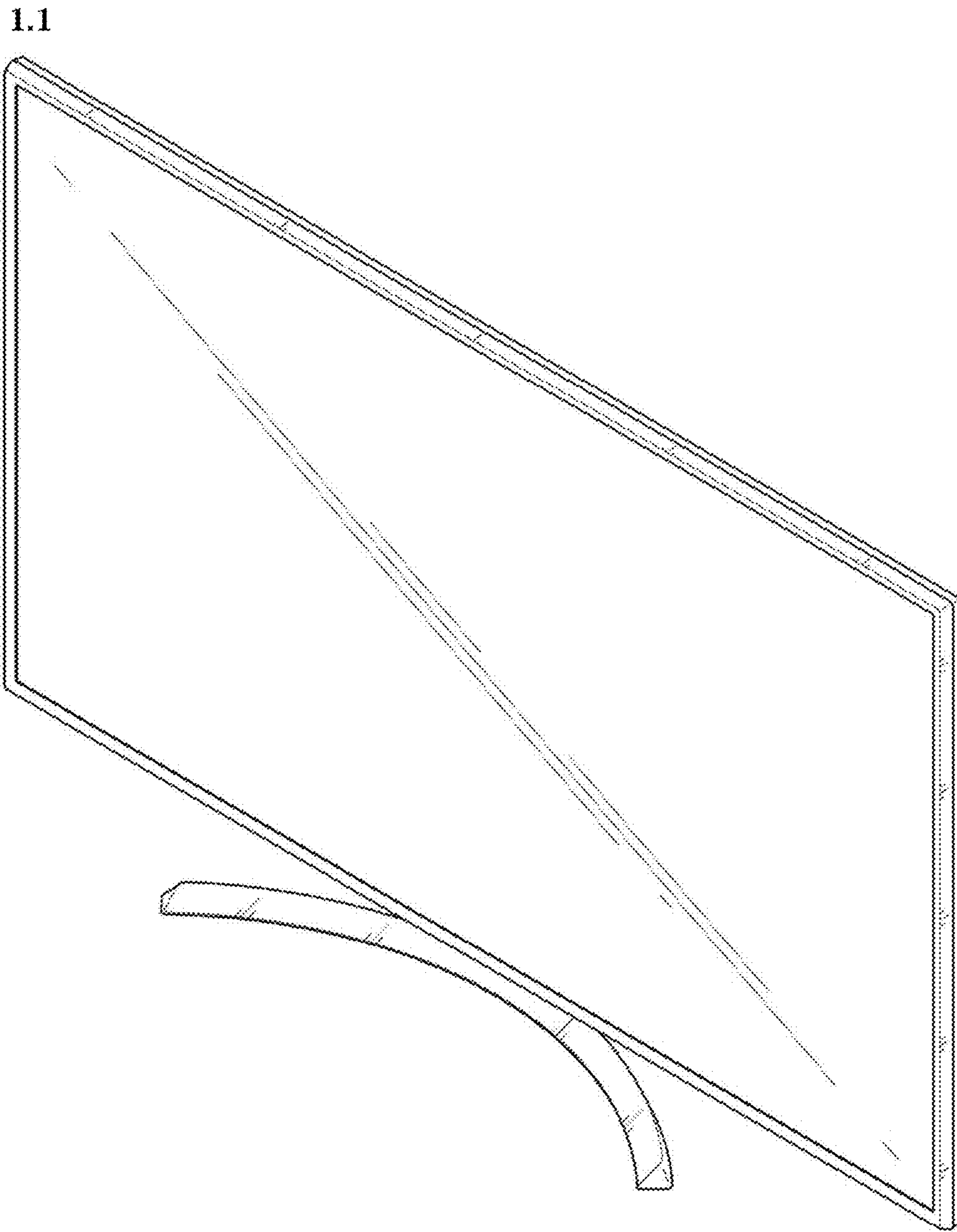
- 1. Television apparatus
- 1.1 : Perspective
- 1.2 : Front
- 1.3 : Back
- 1.4 : Left
- 1.5 : Right
- 1.6 : Top
- 1.7 : Bottom

The gist of the present ornamental design is a combination of shape and pattern of a television apparatus, as shown and described; the parallel fine lines and curves shown in all the drawings indicate the relief of surface of the product. The broken lines showing portions of the television apparatus is included for the purpose of illustrating portions that form no part of the claimed design.

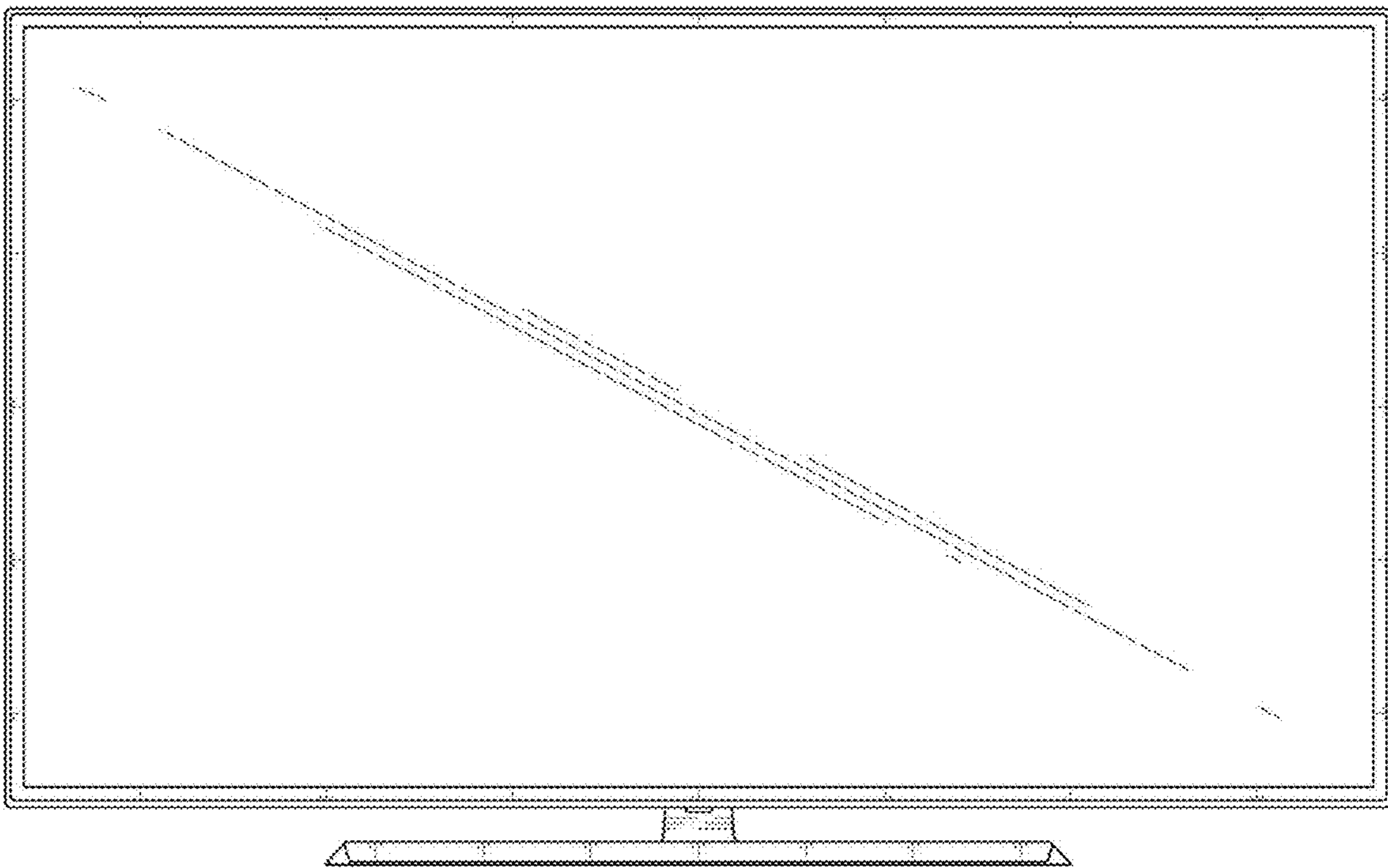
(56) **References Cited**
U.S. PATENT DOCUMENTS
D660,815 S * 5/2012 Itou D14/126
D666,165 S * 8/2012 Kim D14/126

1 Claim, 7 Drawing Sheets

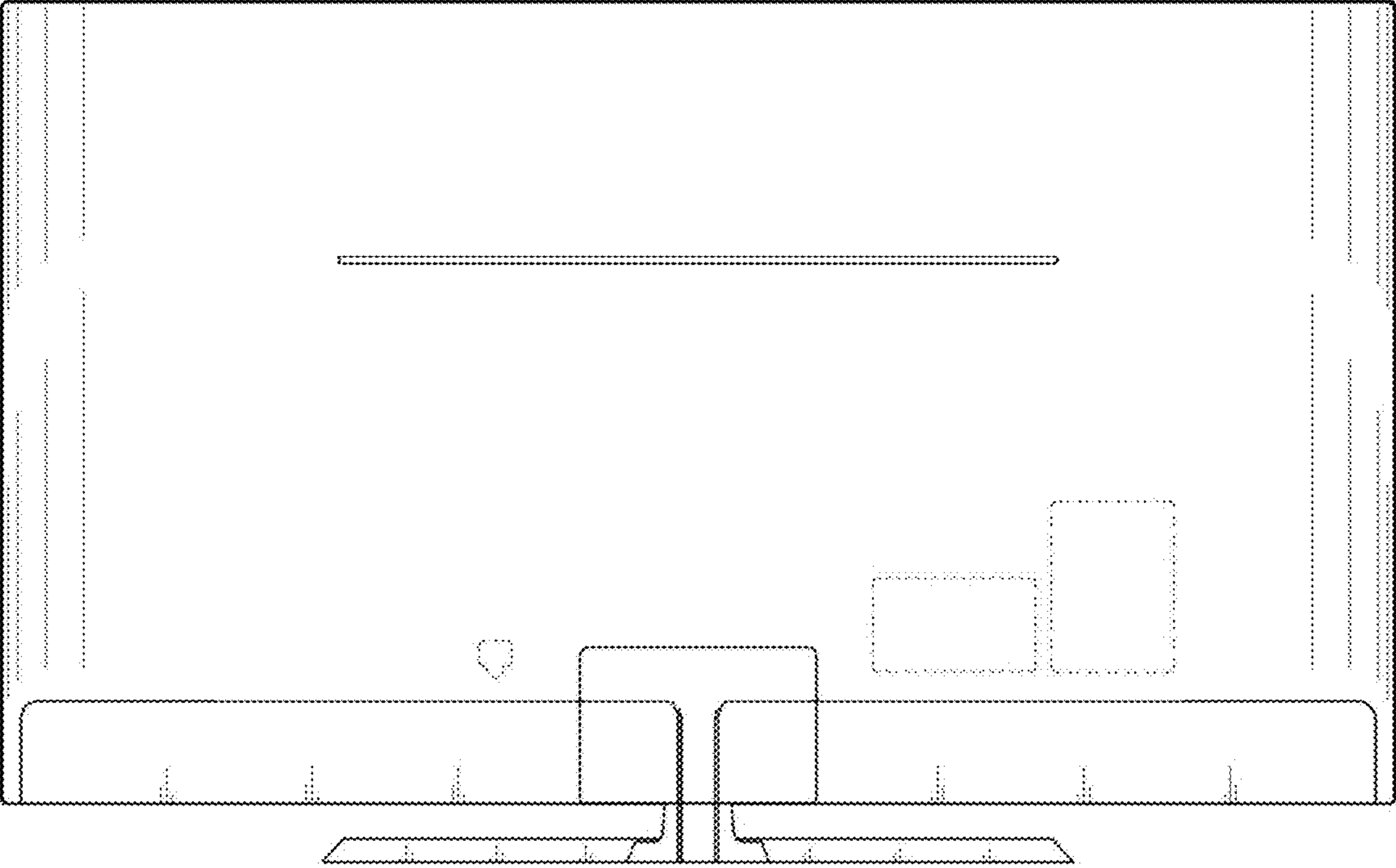




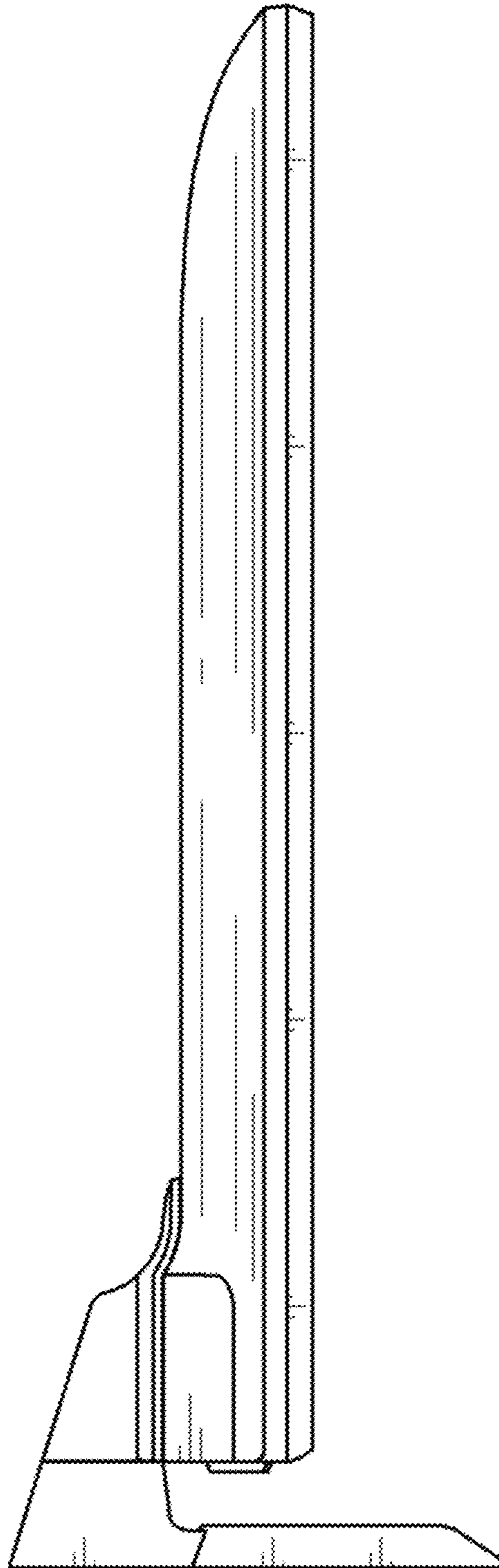
1.2



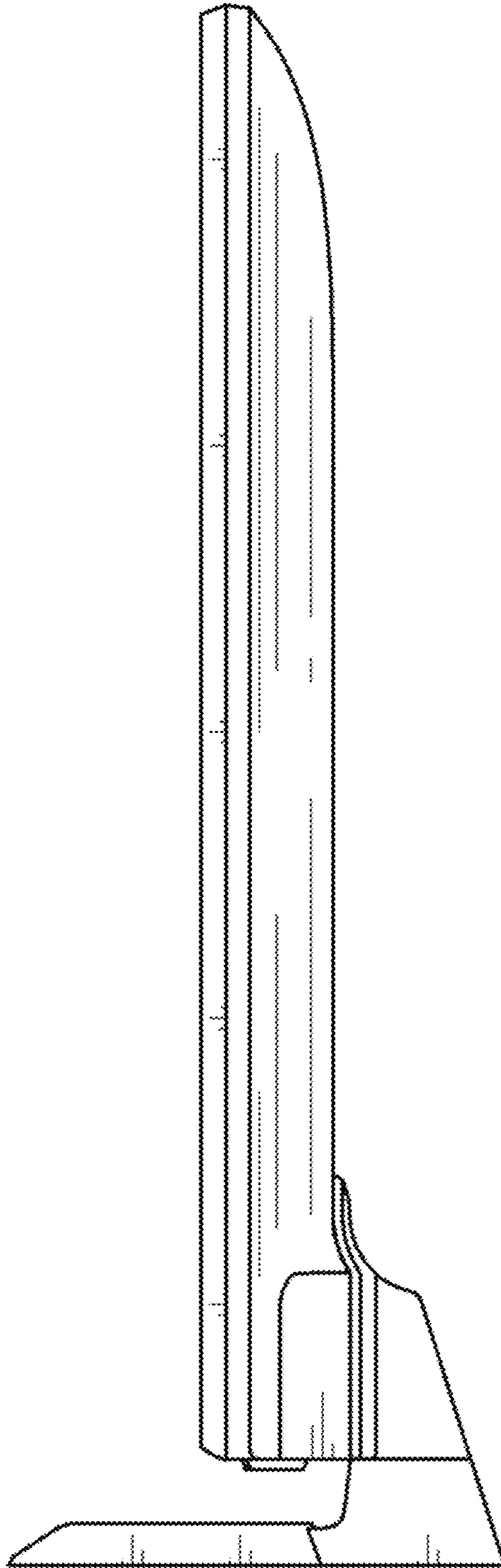
1.3



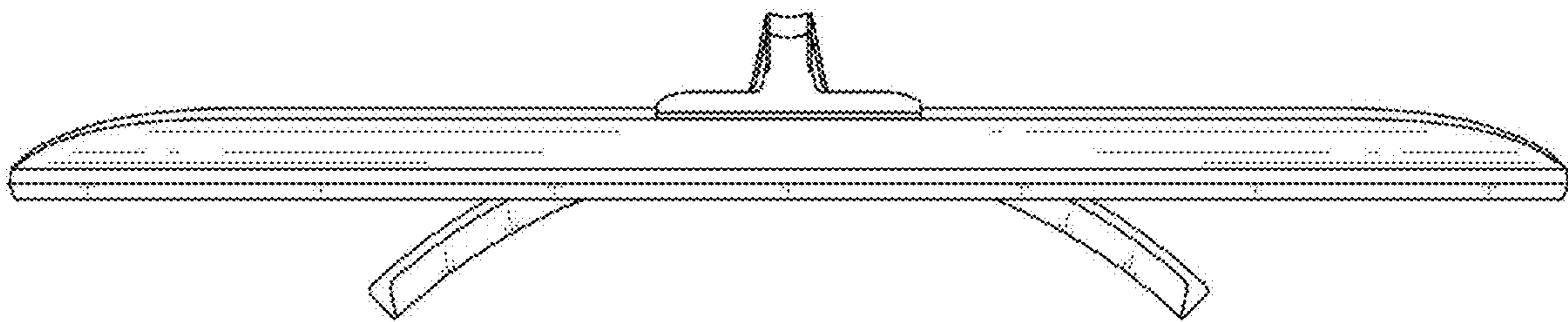
1.4



1.5



1.6



1.7

