



US00D830982S

(12) **United States Design Patent**
Bakshi

(10) **Patent No.:** **US D830,982 S**
(45) **Date of Patent:** **** Oct. 16, 2018**

(54) **VIDEO WALL**

DESCRIPTION

- (71) Applicant: **Shared Space Studios, LLC**, Bethesda, MD (US)
- (72) Inventor: **Amar Chopra Bakshi**, Bethesda, MD (US)
- (73) Assignee: **Shared Space Studios LLC**, Bethesda, MD (US)
- (**) Term: **15 Years**
- (21) Appl. No.: **29/569,028**
- (22) Filed: **Jun. 23, 2016**
- (51) **LOC (11) Cl.** **14-03**
- (52) **U.S. Cl.**
USPC **D14/126**
- (58) **Field of Classification Search**
USPC D14/125-134, 239, 371, 136, 374-377, D14/440, 450, 448, 336, 342, 159;
(Continued)

(56) **References Cited**

U.S. PATENT DOCUMENTS

- 4,717,021 A * 1/1988 Ditzig G11B 23/0233
206/387.13
- 5,164,827 A 11/1992 Paff
(Continued)

FOREIGN PATENT DOCUMENTS

- CA 2782973 A1 6/2010
- CN 103324601 A 9/2013
(Continued)

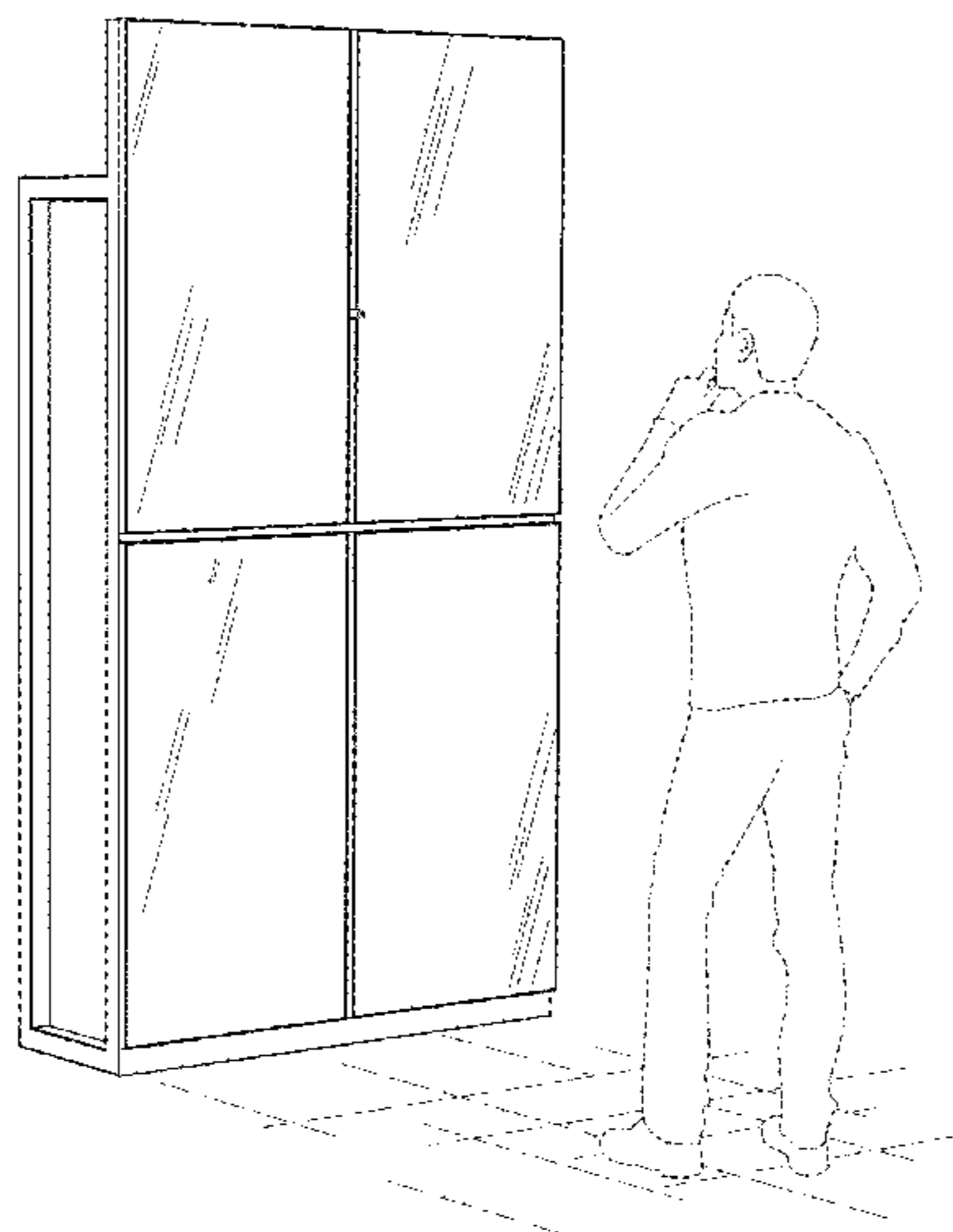
Primary Examiner — Randall H Gholson
(74) *Attorney, Agent, or Firm* — Patent Law Works LLP

(57) **CLAIM**

The ornamental design for a video wall, as shown and described.

FIG. 1 is a front and side perspective view of a video wall in accordance with a first embodiment of the present design illustrating a first orientation of the camera configuration. FIG. 2 is a side perspective view of the camera configuration in FIG. 1, placed in the bezel of the video wall, illustrating an enlarged view of the circled portion of FIG. 1. FIG. 3 is a front and side perspective view of the video wall in accordance with the first embodiment of the present design illustrating a second orientation of the camera configuration. FIG. 4 is a side perspective view of the camera configuration in FIG. 3, placed in the bezel of the video wall, illustrating an enlarged view of the circled portion of FIG. 3. FIG. 5 is a front and side perspective view of the video wall in accordance with the first embodiment of the present design illustrating a third orientation of the camera configuration. FIG. 6 is a side perspective view of the camera configuration in FIG. 5, placed in the bezel of the video wall, illustrating an enlarged view of the circled portion of FIG. 5. FIG. 7 is a front and side perspective view of the video wall in accordance with the first embodiment of the present design. FIG. 8 is a side perspective view of the camera configuration in FIG. 7, placed in the bezel of the video wall, illustrating an enlarged view of the circled portion of FIG. 7. FIG. 9 is a front perspective view of a linear assembly of continuous video walls in accordance with a second embodiment of the present design. FIG. 10 is a front perspective view of a curved assembly of continuous video walls in accordance with the second embodiment of the present design; and, FIG. 11 is a front perspective view of a curved assembly of video walls that are separated from each other in accordance with a third embodiment of the present design. The broken lines shown in the drawings illustrate environment and portions of the present design that form no part of the claimed design.

1 Claim, 7 Drawing Sheets



US D830,982 S

Page 2

(58) **Field of Classification Search**

USPC 312/7.2; 348/836, 838, 180, 184, 325,
348/739; 248/917-924, 465; 345/104,
345/133, 156, 168, 87, 173; D21/329,
D21/515, 577, 622, 333, 433, 448, 452,
D21/450, 331, 505; D10/15, 26;
446/484, 175, 356; D6/477, 479, 300;
D20/10, 19, 39
CPC ... G06F 1/1601; G06F 1/1643; H05K 5/0004;
H05K 5/0017; H05K 5/02; H05K 5/0217;
H04N 13/0459

See application file for complete search history.

(56) **References Cited**

U.S. PATENT DOCUMENTS

6,205,716 B1 3/2001 Peltz
6,675,540 B1 1/2004 Rokes
D618,644 S * 6/2010 Graham D14/127
7,870,686 B2 * 1/2011 Hines G09F 19/22
352/100

8,472,174 B2 * 6/2013 Idems G09F 9/30
361/679.21
8,593,578 B1 * 11/2013 Geronimi G06F 3/1431
345/1.1
8,621,787 B2 1/2014 Barry et al.
8,955,258 B2 2/2015 Jacques et al.
8,996,392 B2 * 3/2015 Cashman E04H 1/1205
705/2
9,052,536 B2 * 6/2015 Artwohl A47F 3/0434
2006/0150530 A1 7/2006 Davey
2007/0214729 A1 9/2007 Moore
2007/0253057 A1 11/2007 Potsaid et al.
2009/0031642 A1 2/2009 Donovan
2011/0007073 A1 1/2011 Belt
2011/0075361 A1 * 3/2011 Nakamichi G09F 9/35
361/695
2011/0122063 A1 5/2011 Perlman

FOREIGN PATENT DOCUMENTS

GB 2391022 A 1/2004
WO 2013004985 A1 1/2013

* cited by examiner

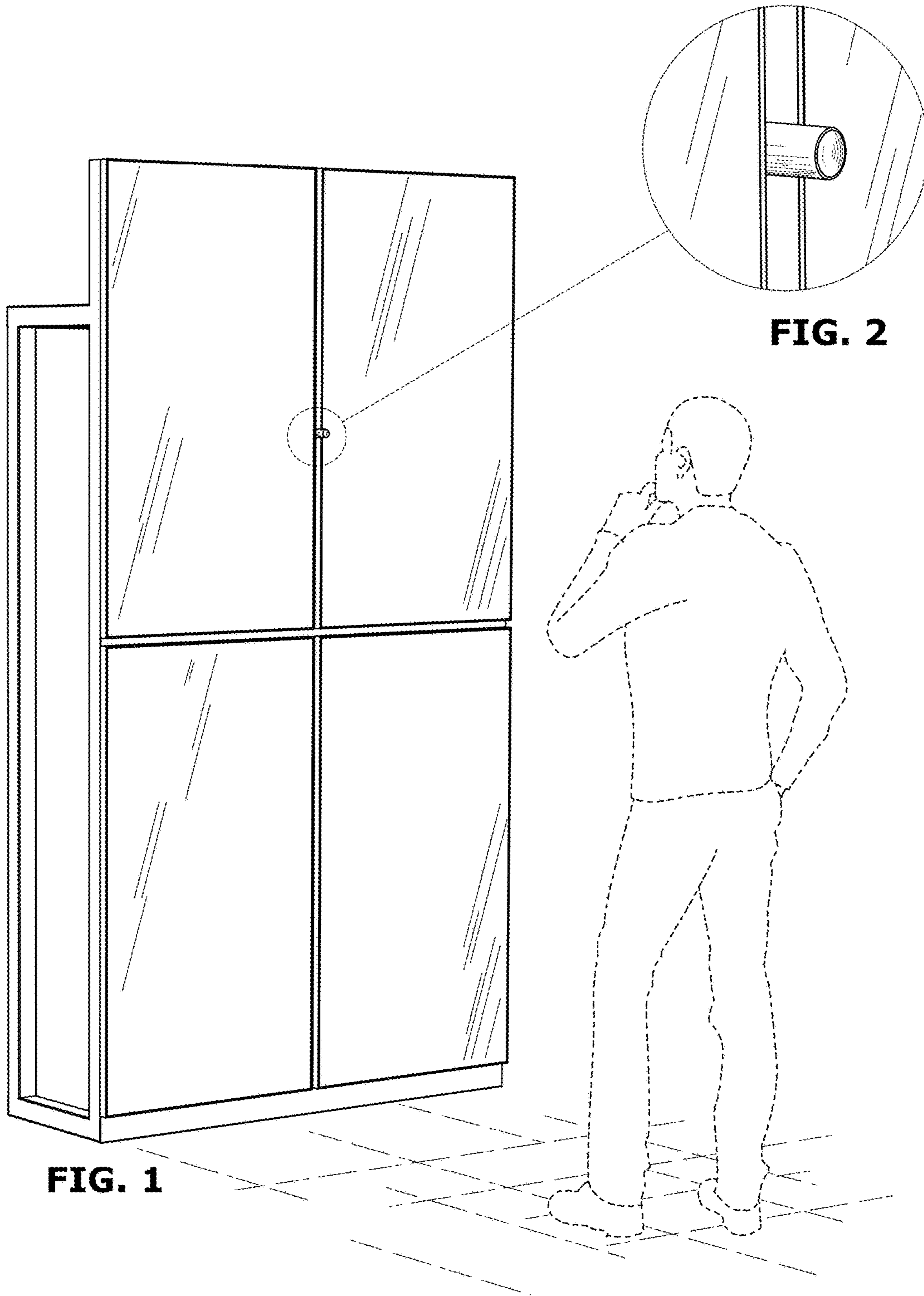


FIG. 1

FIG. 2

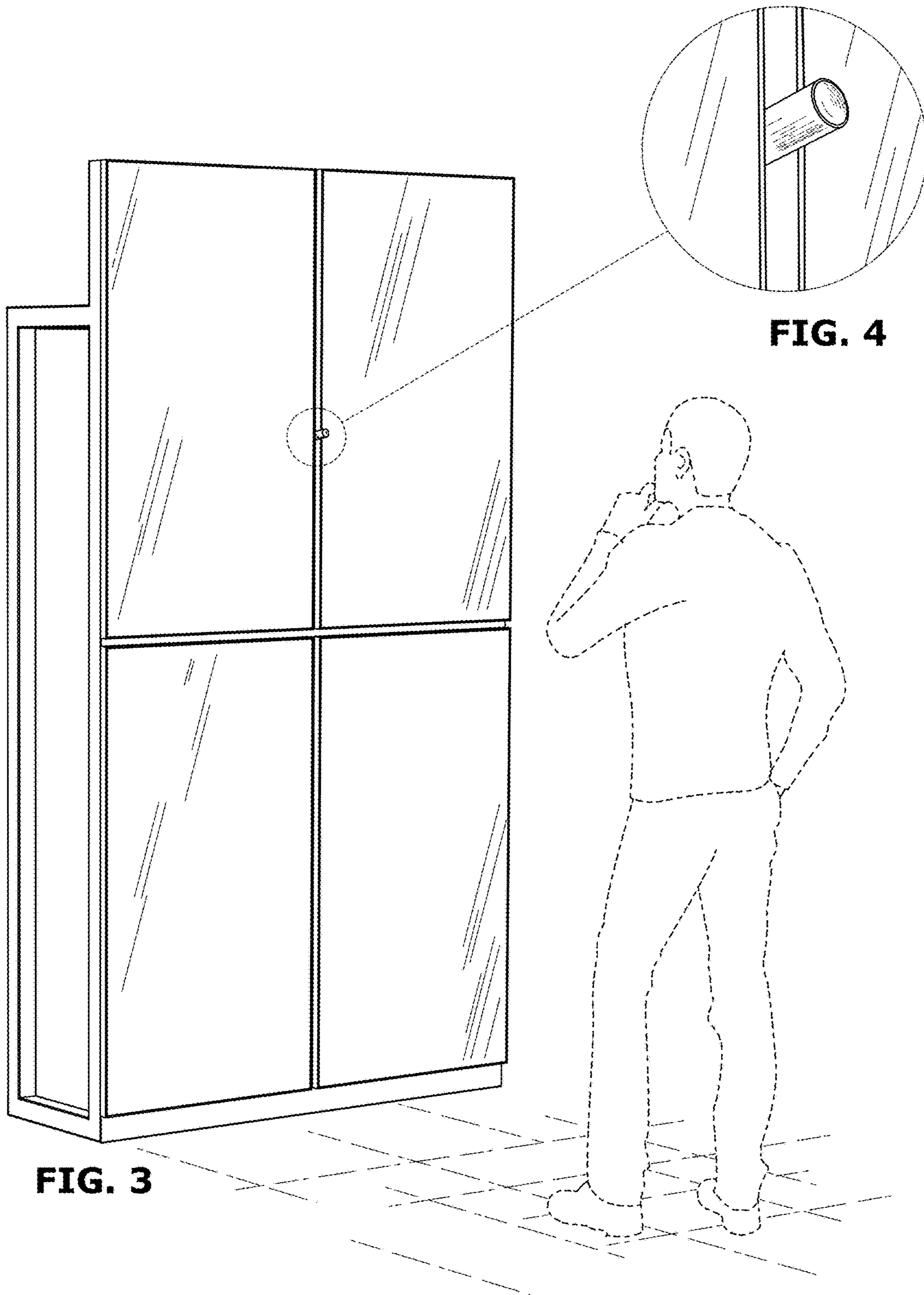


FIG. 3

FIG. 4

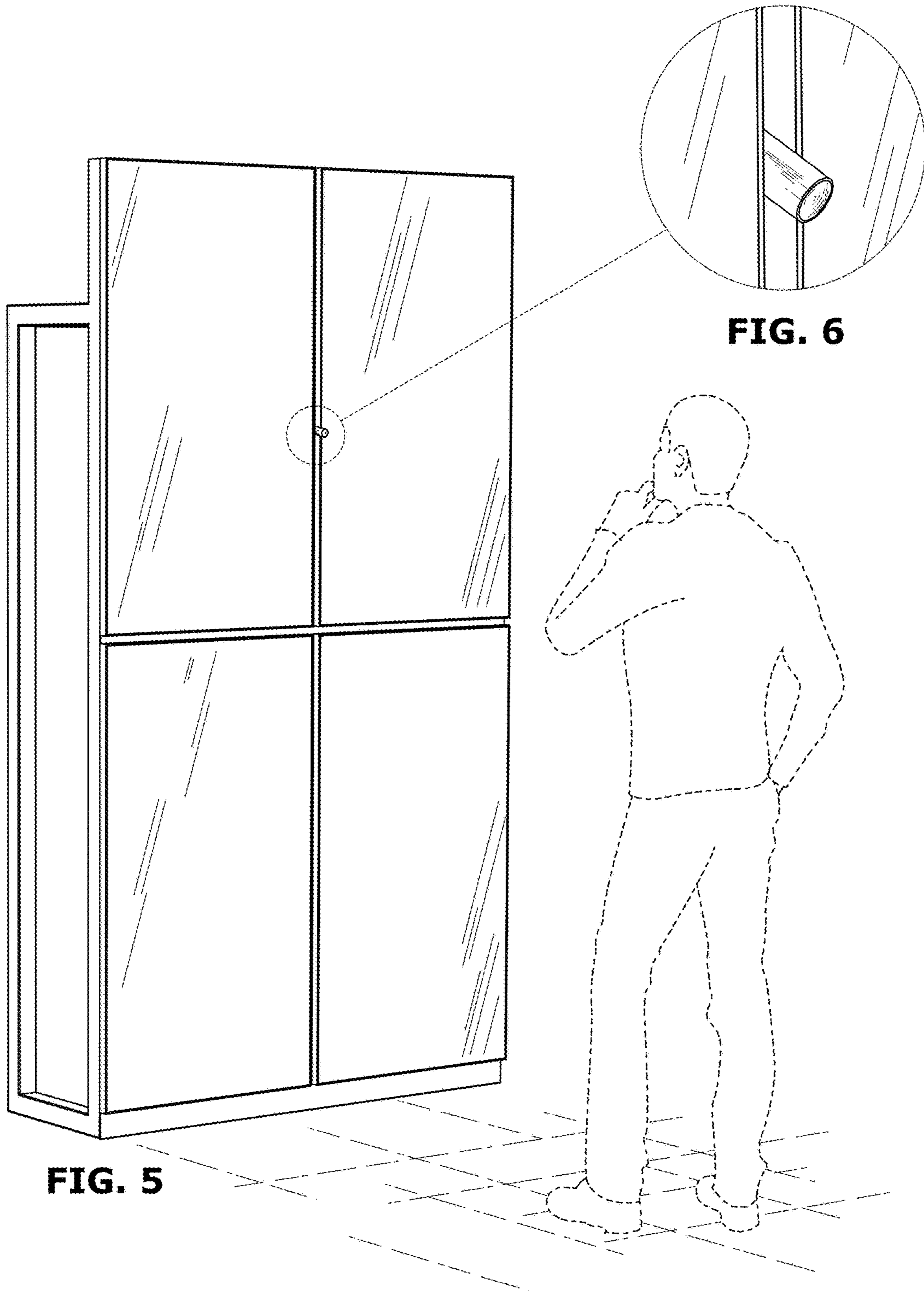


FIG. 5

FIG. 6

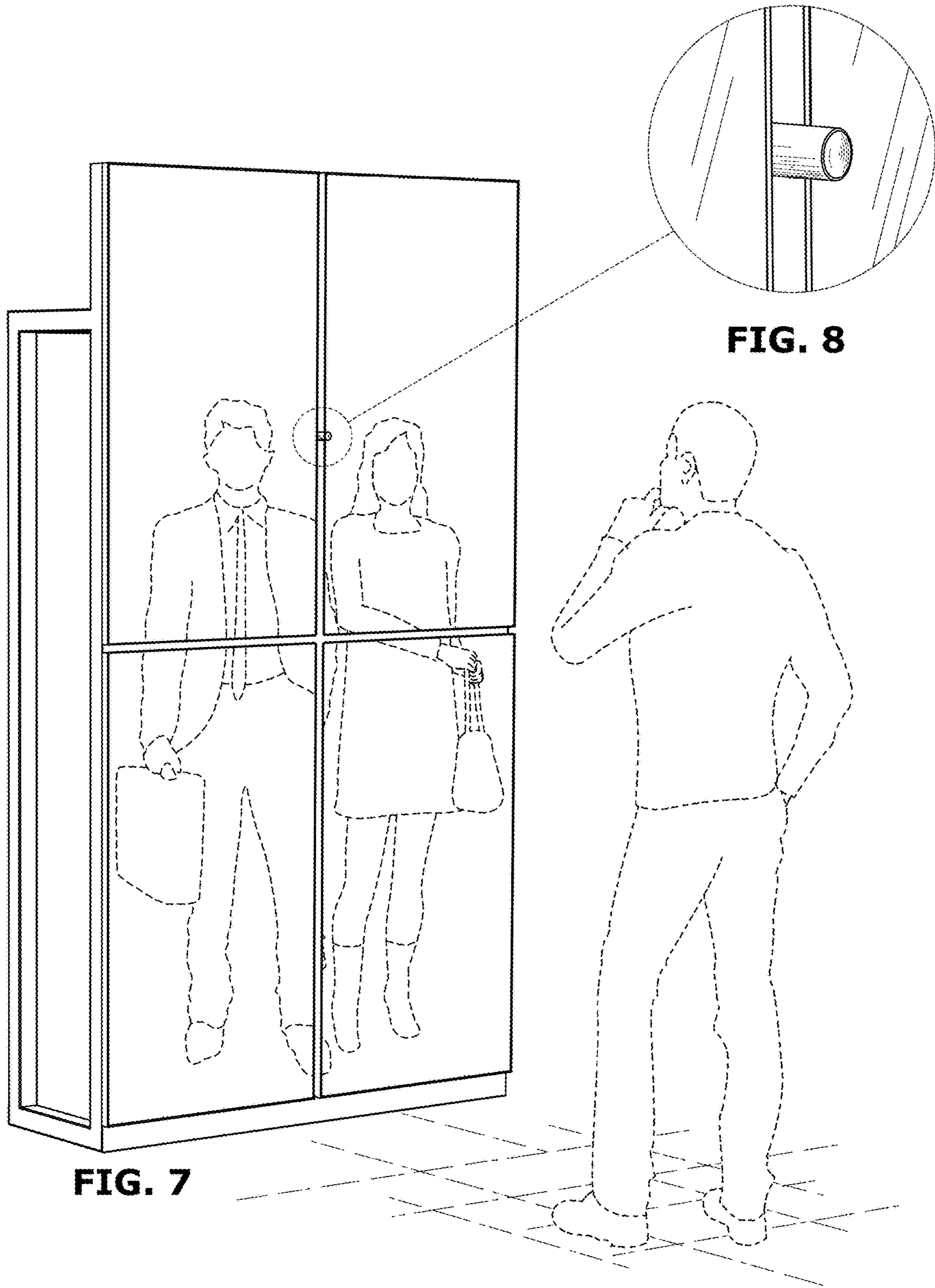


FIG. 7

FIG. 8

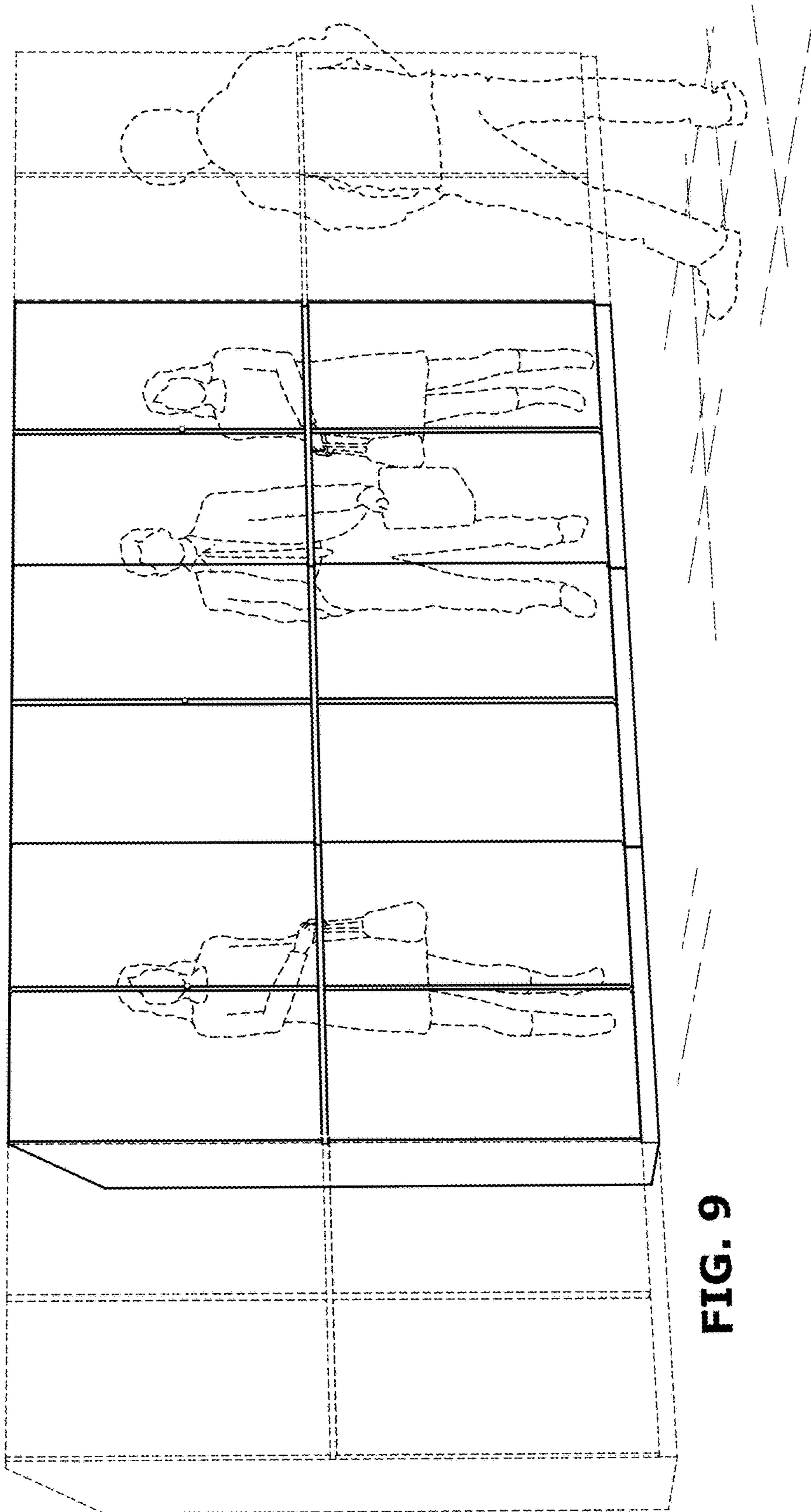


FIG. 9

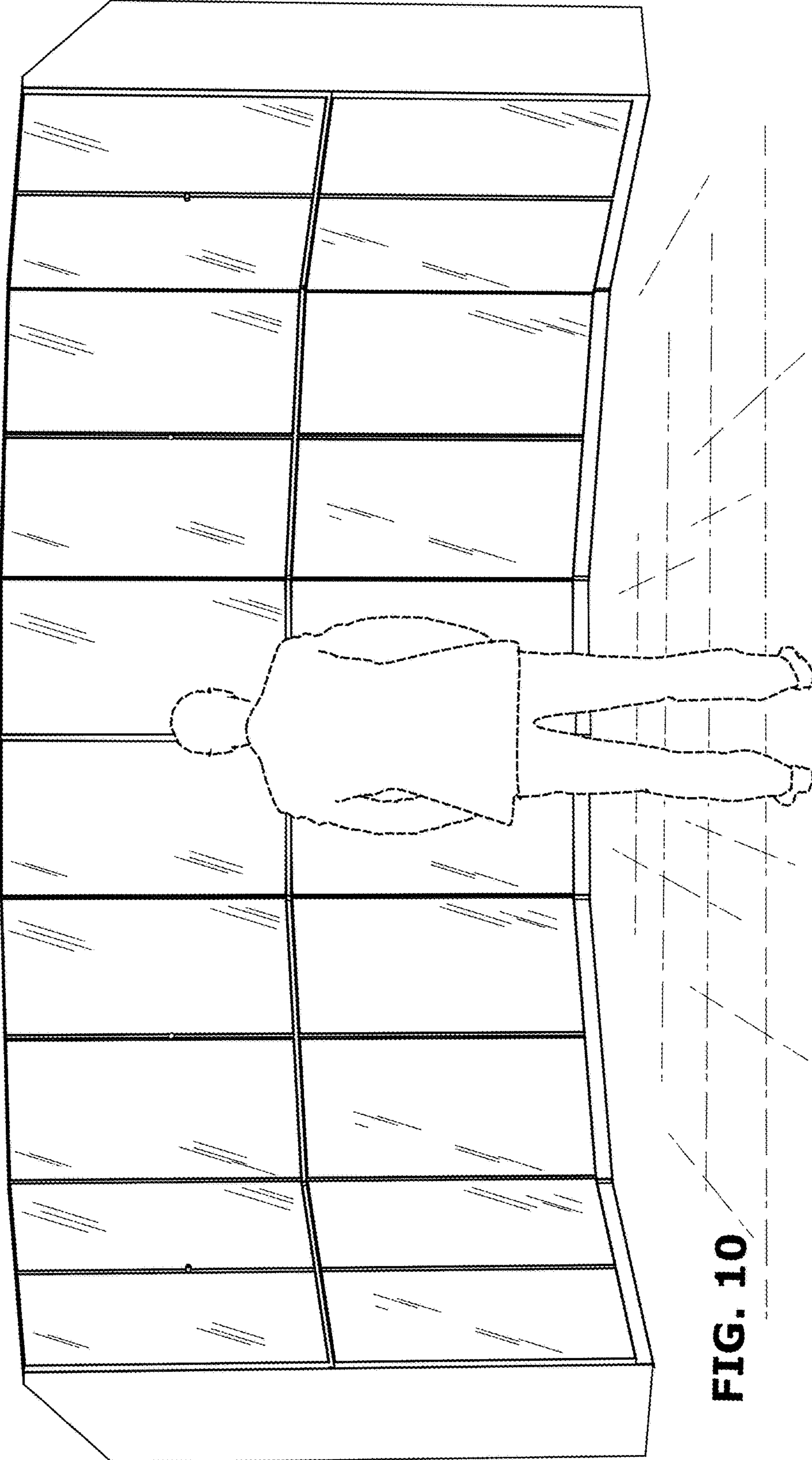


FIG. 10

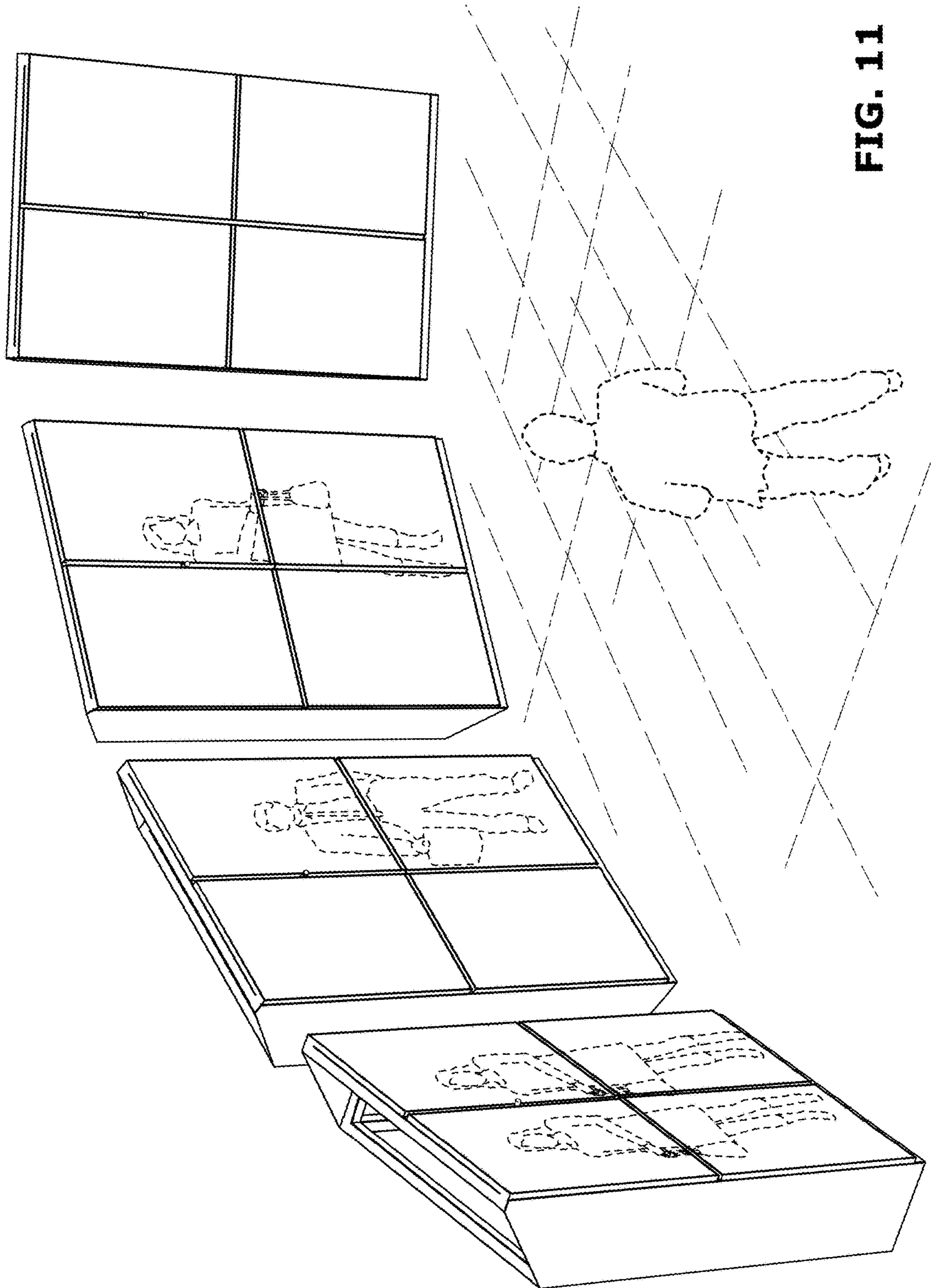


FIG. 11