



US00D830973S

(12) **United States Design Patent**
Ootani et al.

(10) **Patent No.:** **US D830,973 S**
(45) **Date of Patent:** **** Oct. 16, 2018**

(54) **ELECTRICAL CONNECTOR**

(71) Applicant: **JAPAN AVIATION ELECTRONICS INDUSTRY, LIMITED**, Tokyo (JP)

(72) Inventors: **Hideyuki Ootani**, Tokyo (JP); **Yukiko Sato**, Tokyo (JP); **Tomoya Kurosawa**, Tokyo (JP)

(73) Assignee: **Japan Aviation Electronics Industry, Limited**, Tokyo (JP)

(**) Term: **15 Years**

(21) Appl. No.: **29/601,337**

(22) Filed: **Apr. 21, 2017**

(30) **Foreign Application Priority Data**

Nov. 14, 2016 (JP) 2016-024684

(51) **LOC (11) Cl.** **13-03**

(52) **U.S. Cl.**
USPC **D13/147**

(58) **Field of Classification Search**
USPC D13/110, 112, 116, 118, 120, 122, 123, D13/133, 146, 147, 149, 154, 156, 173, D13/174, 177, 178, 184, 199
CPC H01R 13/432; H01R 13/60; H01R 13/62; H01R 13/621; H01R 13/627; H01R 13/65; H01R 13/6581; H01R 27/02; H01R 9/22; H01R 13/02; H01R 13/04; H01R 13/15; H01R 13/51; H01R 13/514; H01R 13/52; H01R 13/63; H01R 13/631; H01R 24/60; H01R 31/02

See application file for complete search history.

(56) **References Cited**

U.S. PATENT DOCUMENTS

D410,896 S * 6/1999 Yotsutani D13/147
D497,597 S * 10/2004 Kimura D13/147

D502,448 S * 3/2005 Wu D13/147
D525,944 S * 8/2006 Katoh D13/147
D605,597 S * 12/2009 Gao D13/147
D627,298 S * 11/2010 Huang D13/147
D653,620 S * 2/2012 Gouhl D13/146
D744,426 S * 12/2015 Yamashita D13/146
D770,388 S * 11/2016 Tal D13/147
D803,157 S * 11/2017 Mugan D13/133
2006/0223357 A1 * 10/2006 Ohki H01R 13/6215
439/362
2016/0064877 A1 * 3/2016 Tamaki H01R 13/508
439/676
2017/0047696 A1 * 2/2017 Li H01R 13/04

* cited by examiner

Primary Examiner — Thomas Johannes
Assistant Examiner — Shawn T Gingrich
(74) *Attorney, Agent, or Firm* — Cermak Nakajima & McGowan LLP; Tomoko Nakajima

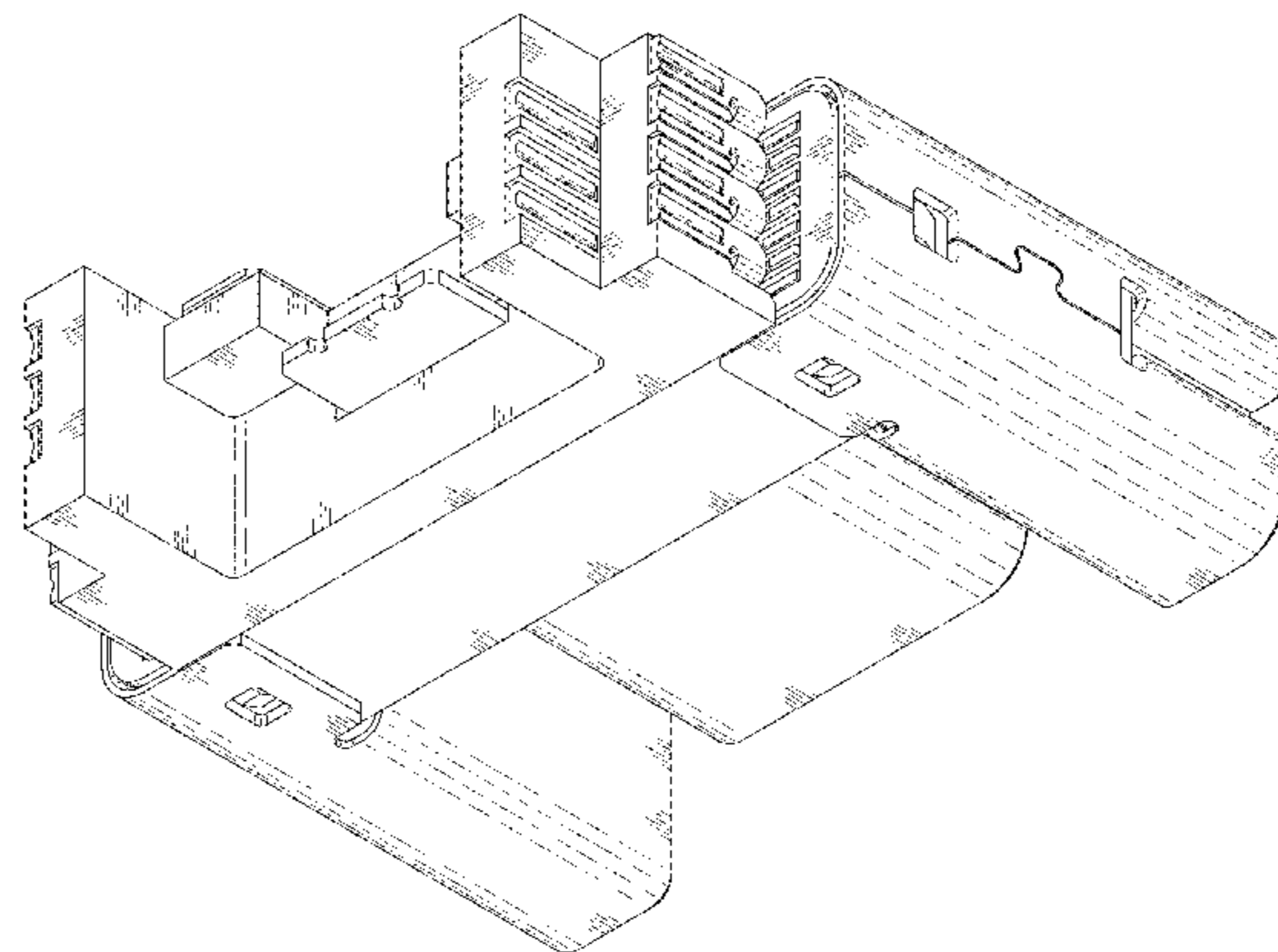
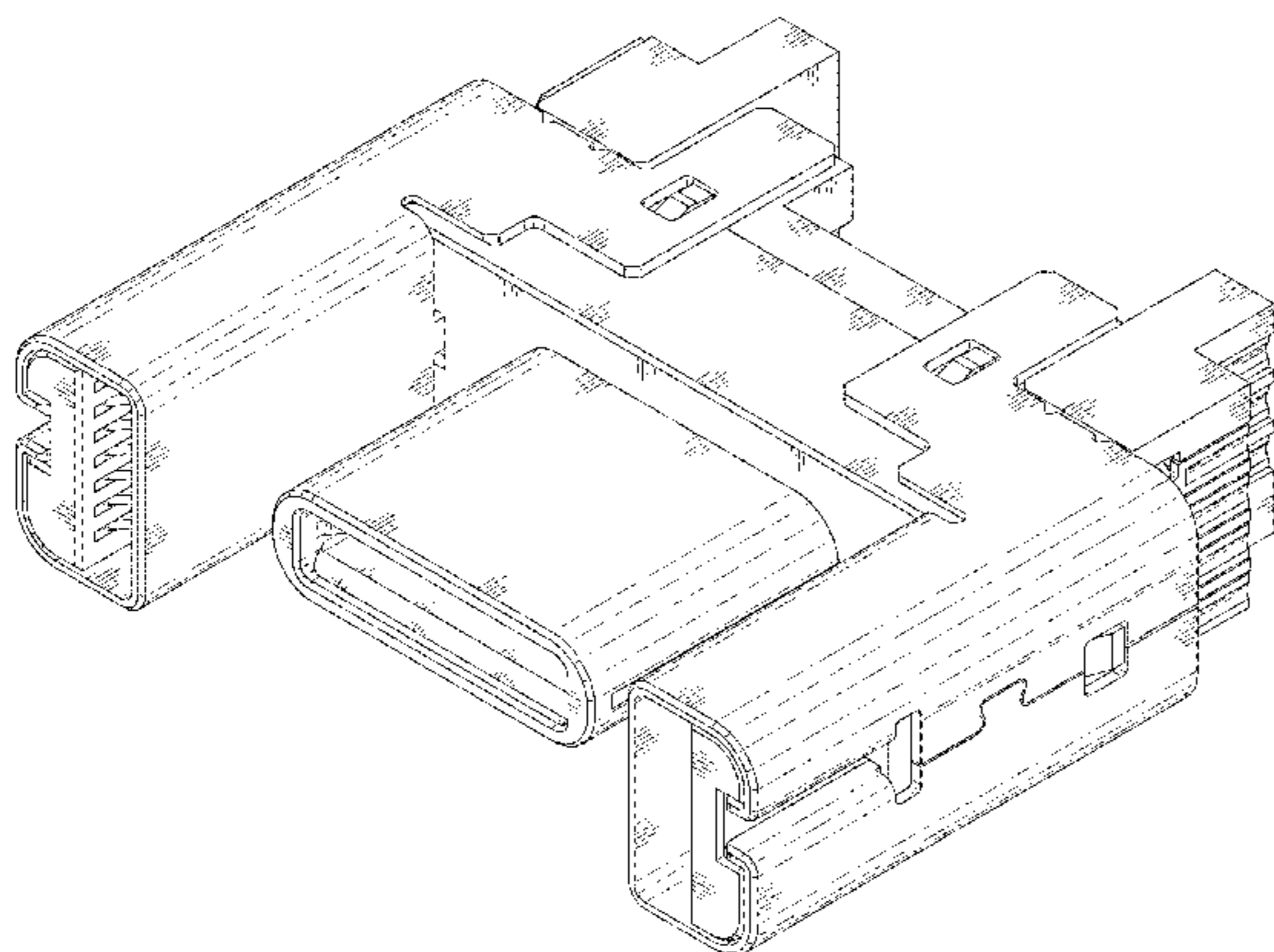
(57) **CLAIM**

The ornamental design for an electrical connector, as shown and described.

DESCRIPTION

FIG. 1 is a front elevational view of an electrical connector showing our new design;
FIG. 2 is a top plan view thereof;
FIG. 3 is a right side elevational view thereof;
FIG. 4 is a left side elevational view thereof;
FIG. 5 is a rear elevational view thereof; and
FIG. 6 is a bottom plan view thereof.
FIG. 7 is a front and top perspective view thereof;
FIG. 8 is a rear and top perspective view thereof;
FIG. 9 is a front and bottom perspective view thereof; and,
FIG. 10 is a rear and bottom perspective view thereof.
The broken lines in the drawings illustrate portions of the electrical connector that form no part of the claimed design.

1 Claim, 10 Drawing Sheets



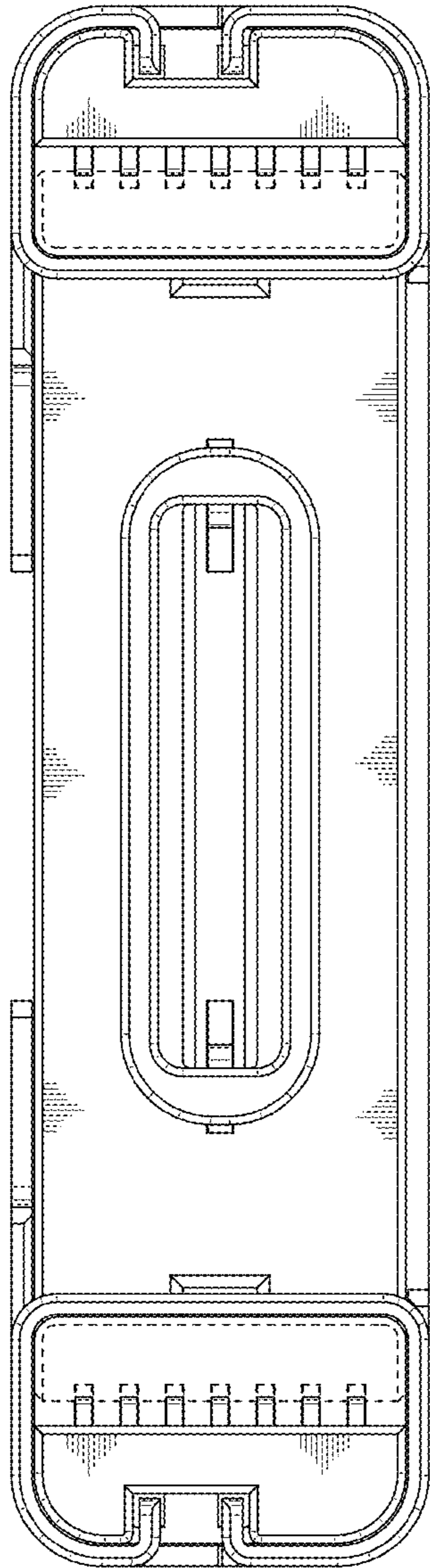


FIG.1

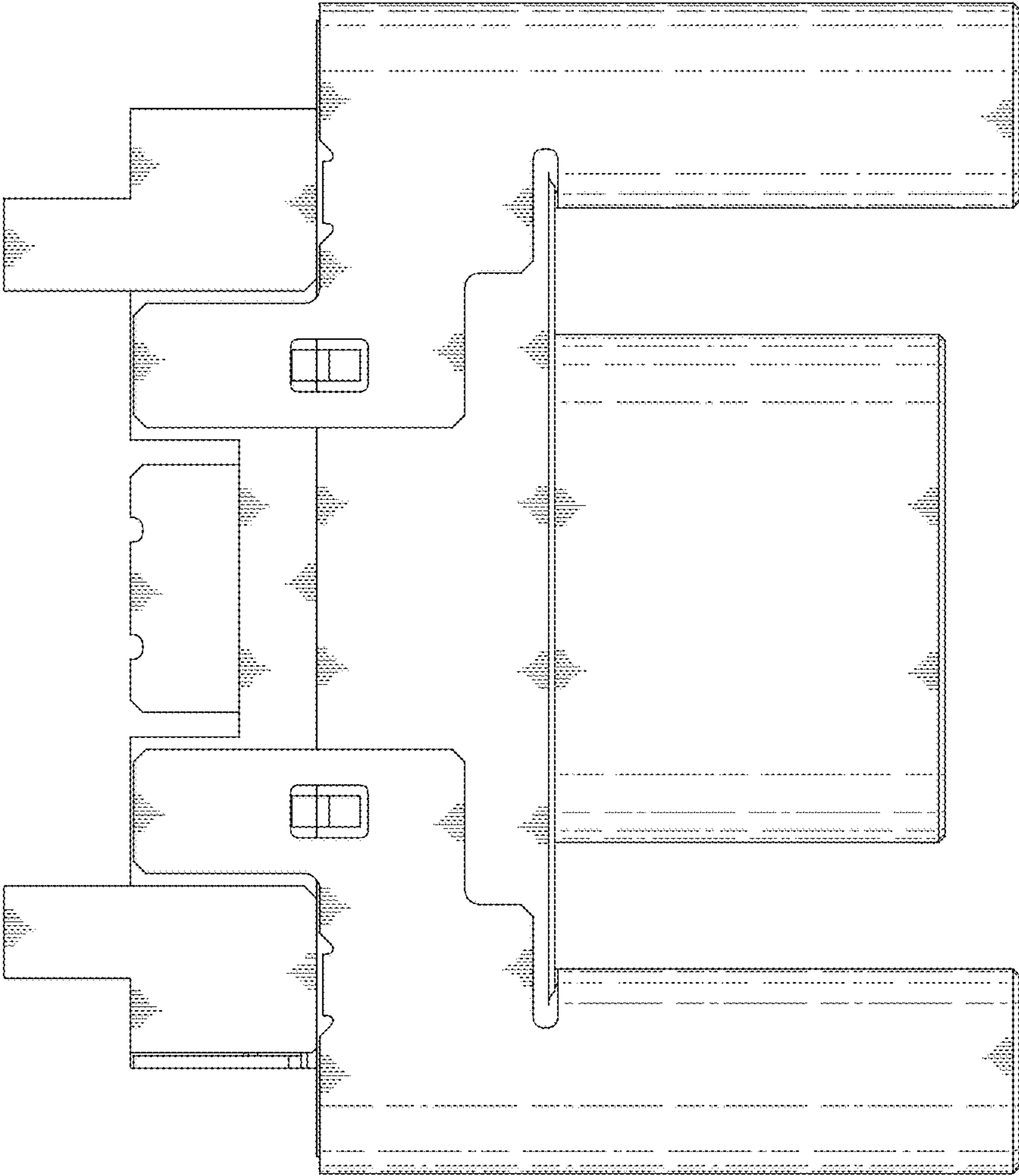


FIG.2

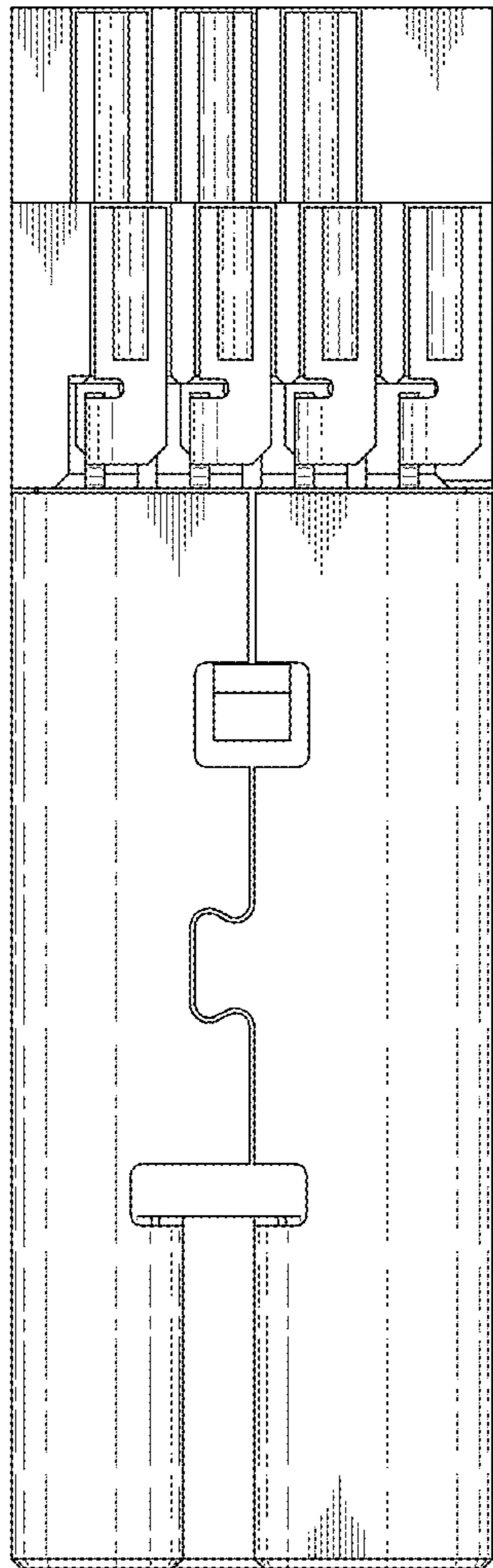


FIG.3

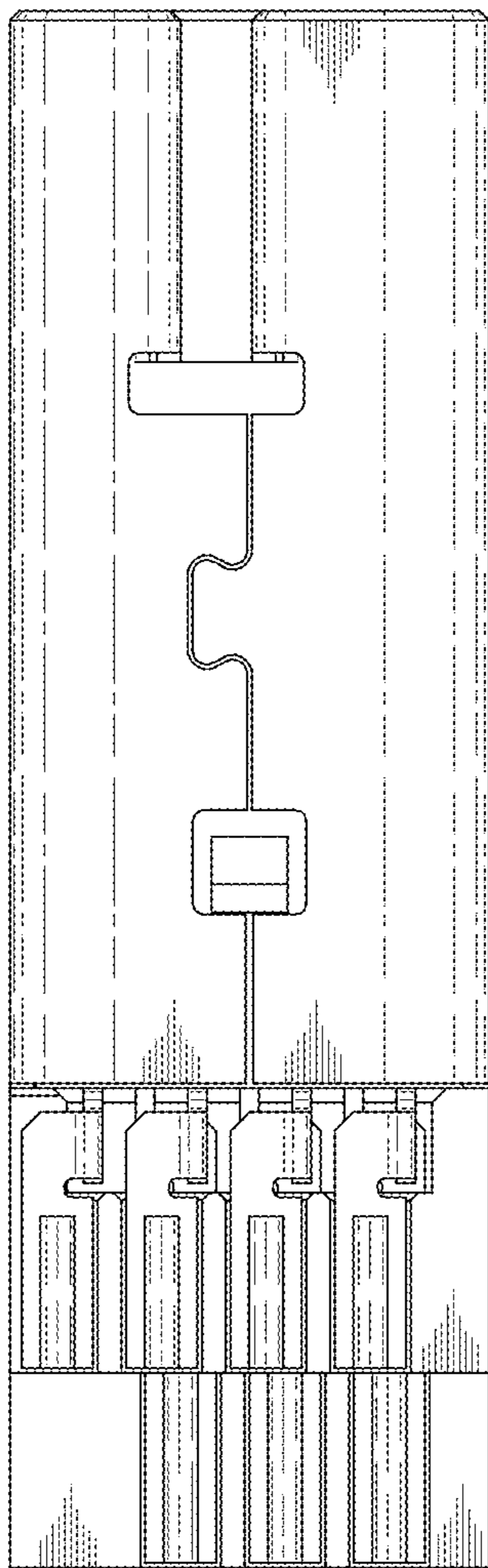


FIG.4

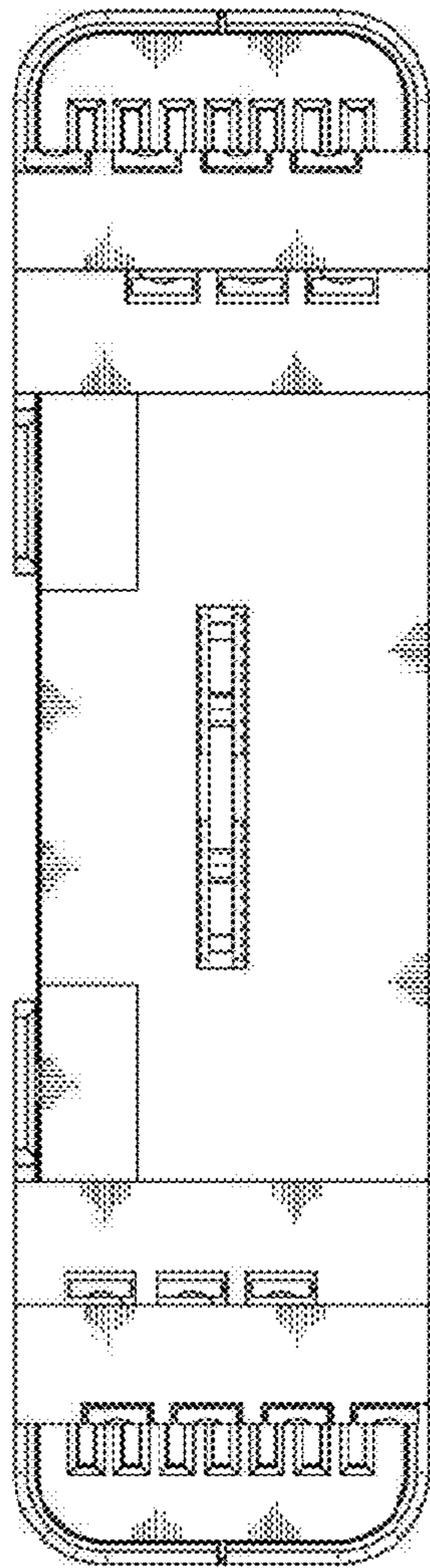


FIG.5

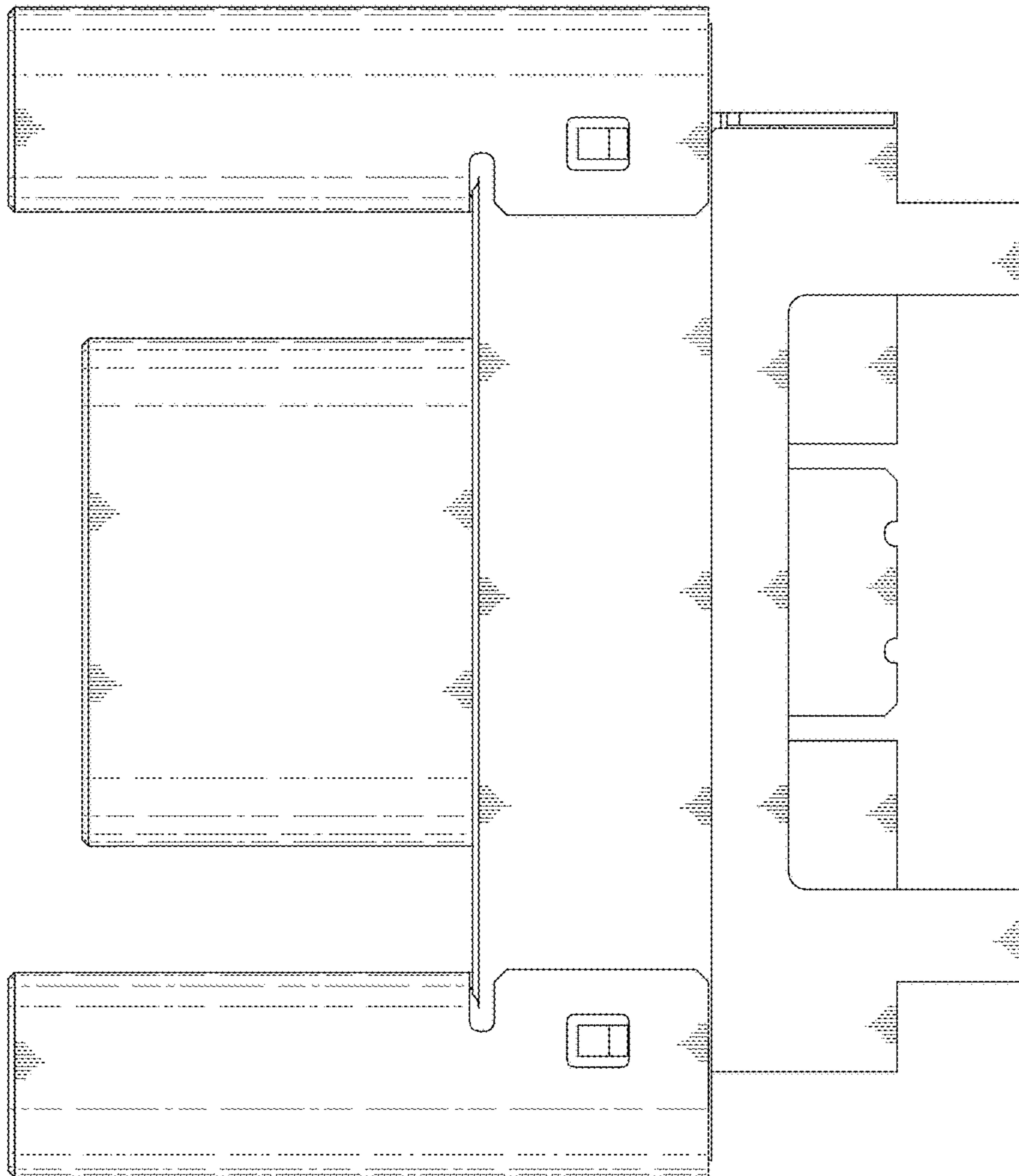


FIG. 6

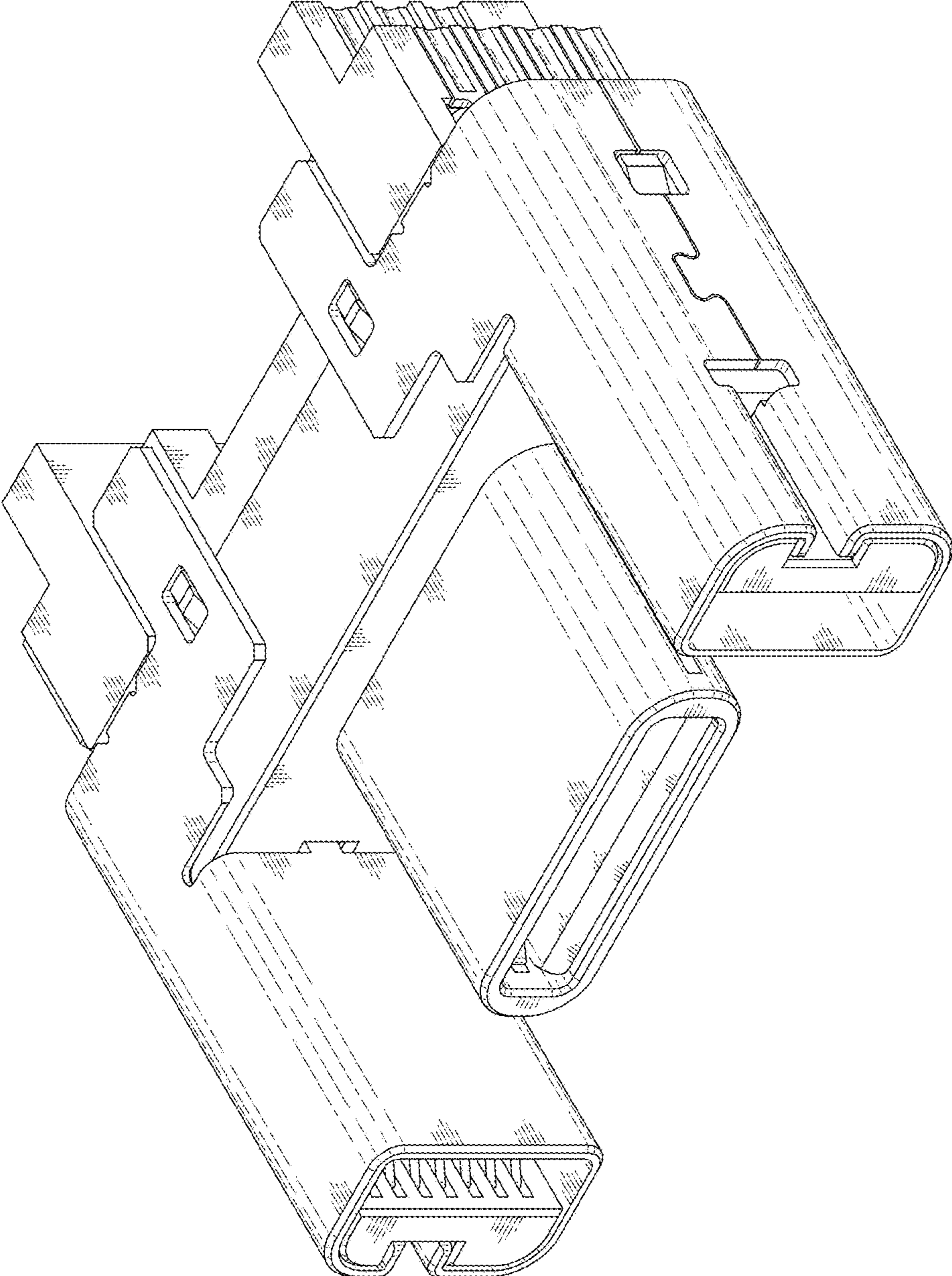


FIG.7

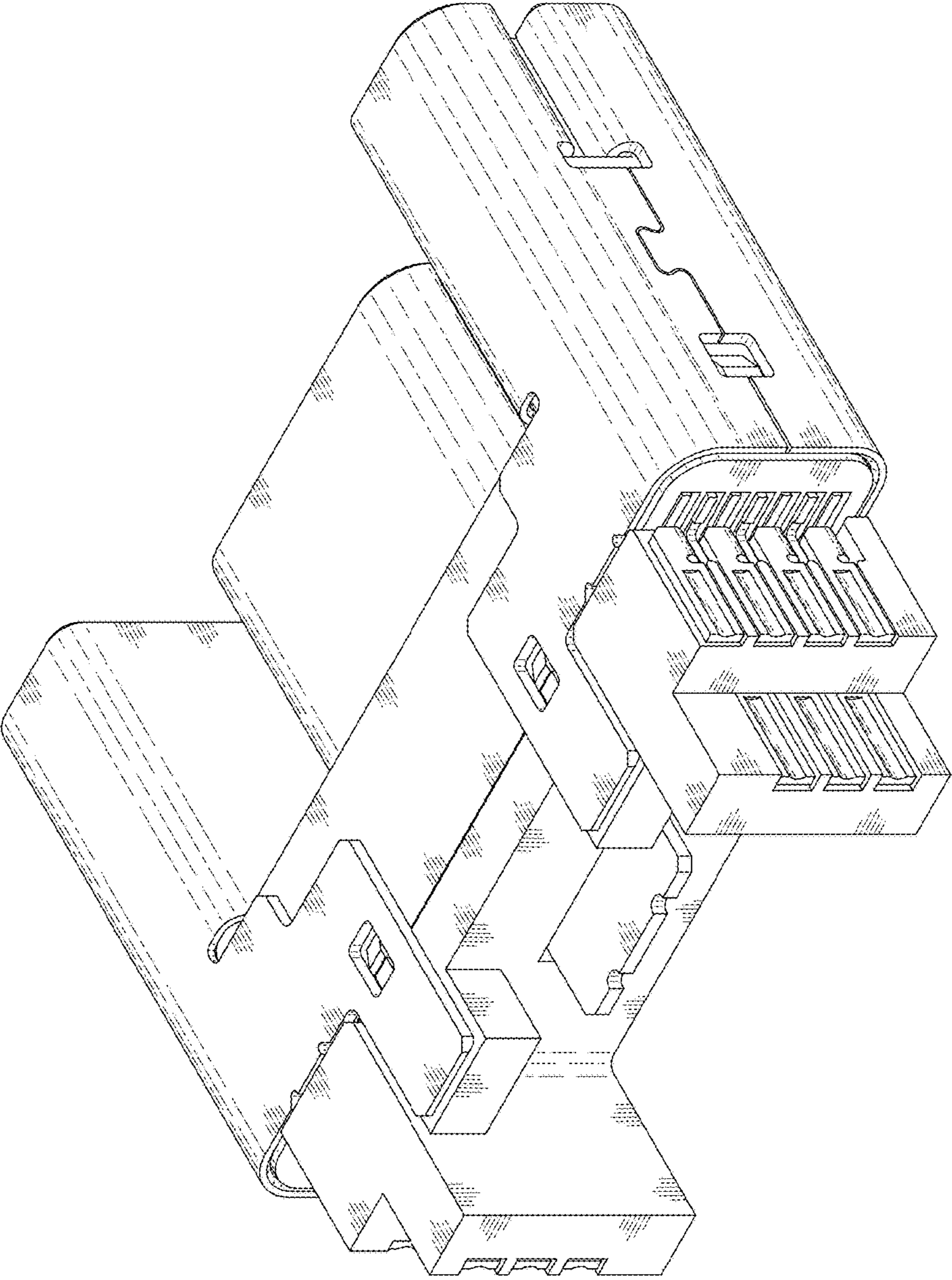


FIG.8

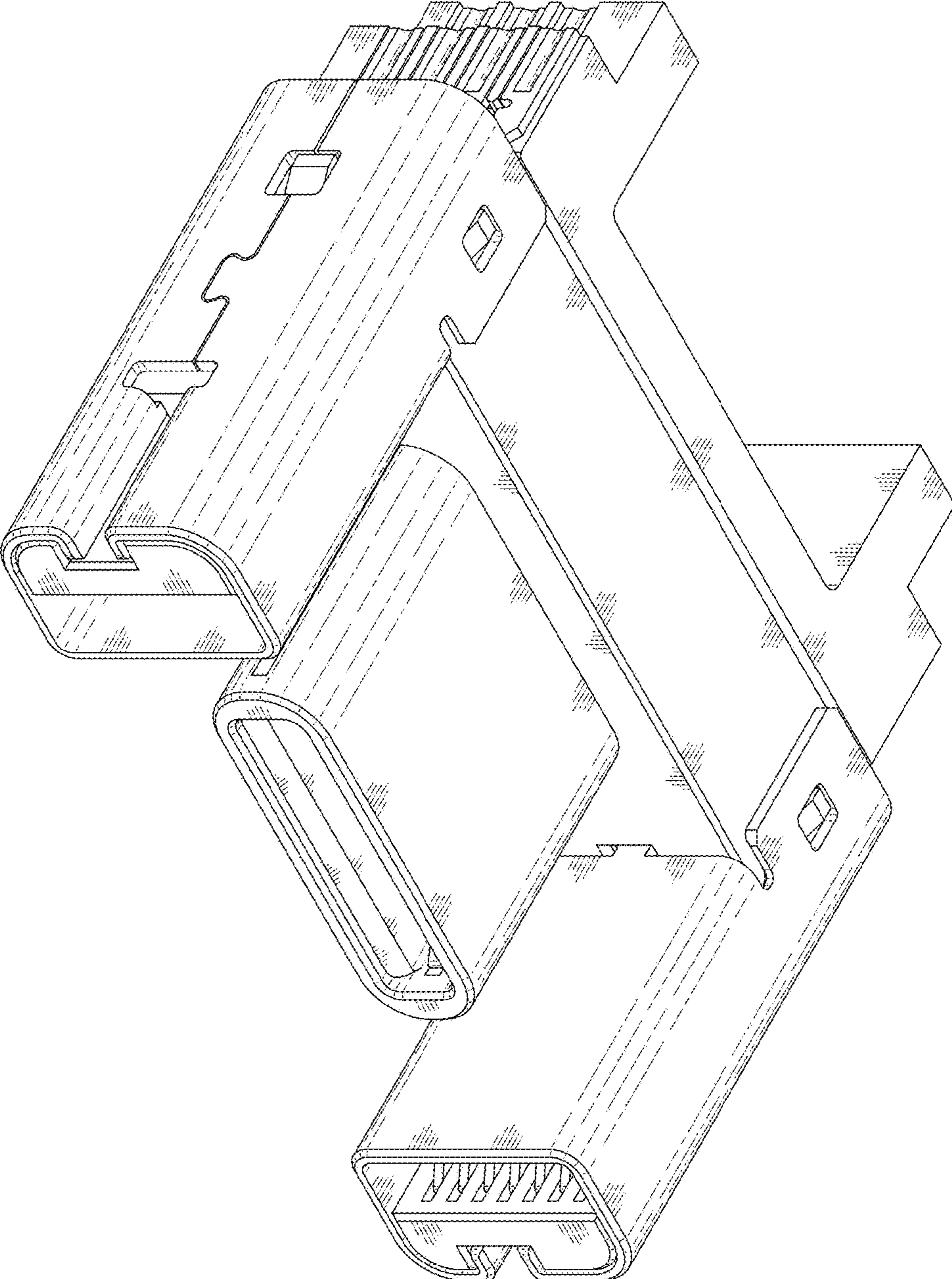


FIG.9

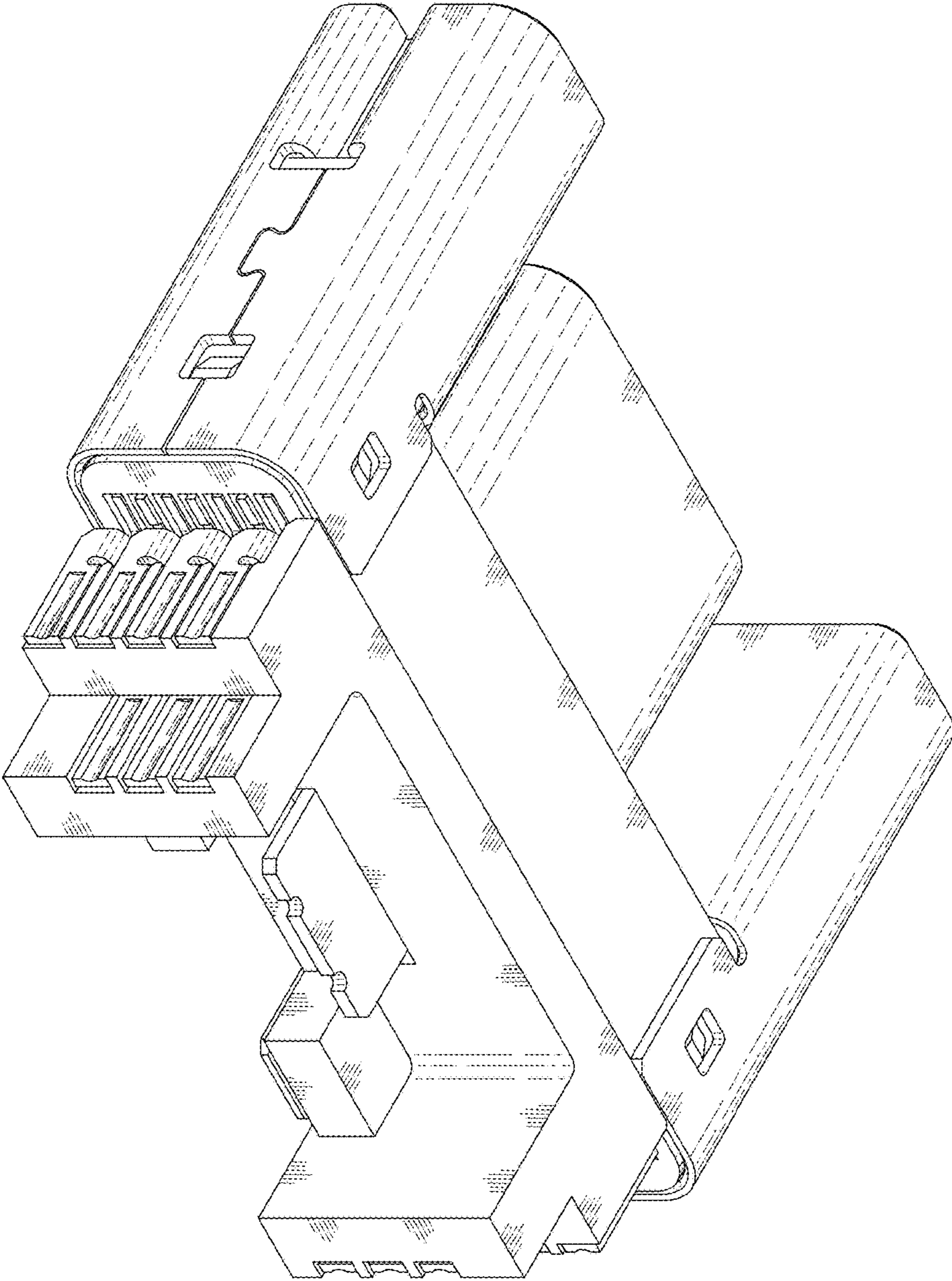


FIG.10