



US00D830968S

(12) **United States Design Patent**  
**Wang et al.**

(10) **Patent No.:** **US D830,968 S**  
(45) **Date of Patent:** **\*\* Oct. 16, 2018**

(54) **CHARGING PILE**

(71) Applicant: **HANGZHOU GUOKONG  
ELECTRIC POWER  
TECHNOLOGY CO., LTD.,**  
Hangzhou (CN)

(72) Inventors: **Jianhua Wang**, Hangzhou (CN);  
**Daken Wang**, Hangzhou (CN)

(73) Assignee: **HANGZHOU GUOKONG  
ELECTRIC POWER  
TECHNOLOGY CO., LTD.,**  
Hangzhou (CN)

(\*\*) Term: **15 Years**

(21) Appl. No.: **29/612,268**

(22) Filed: **Jul. 31, 2017**

(51) **LOC (11) Cl.** ..... **13-02**

(52) **U.S. Cl.**  
USPC ..... **D13/107**

(58) **Field of Classification Search**  
USPC ..... D13/107-110, 118-119, 184; D14/251,  
D14/253, 432, 434  
CPC ..... Y02E 60/12; Y02T 90/14; Y02T 90/122;  
Y02T 90/128; Y02T 90/163; H02J 7/025;  
H02J 7/0042; H02J 7/0044; H02J 7/0045;  
H02J 7/0003; H02J 2001/008; H02J 3/32;  
H02J 3/008; H02J 7/0027; H02J 7/0013;  
H02J 7/0054; H02J 7/00; H01F 38/14;  
H01M 2/1022; H01M 2/1055; H01M  
10/44; H01M 10/46; H01M 10/425; B60L  
11/182; B60L 11/1809; B60L 11/1861;  
B60R 16/03; H01R 13/6675  
See application file for complete search history.

(56) **References Cited**

**U.S. PATENT DOCUMENTS**

D557,624 S \* 12/2007 Coster ..... D10/70  
D561,694 S \* 2/2008 Lam ..... D13/110

D561,724 S \* 2/2008 Kim ..... D14/138 AD  
D575,775 S \* 8/2008 Sekine ..... D13/137.3  
D603,336 S \* 11/2009 Nan ..... D13/119  
D612,831 S \* 3/2010 Choi ..... D14/138 AD  
D668,220 S \* 10/2012 Chu ..... D13/107  
D702,687 S \* 4/2014 Chu ..... D14/434  
D702,688 S \* 4/2014 Chu ..... D14/434  
D760,903 S \* 7/2016 Lin ..... D24/165  
D777,331 S \* 1/2017 Jayalath ..... D14/344  
D778,445 S \* 2/2017 Cadio ..... D24/169  
D800,313 S \* 10/2017 Chang ..... D24/167  
D812,765 S \* 3/2018 Vardiman ..... D24/200  
2005/0064917 A1\* 3/2005 Peng ..... H04M 1/021  
455/575.1  
2008/0171571 A1\* 7/2008 Feil ..... G03B 17/17  
455/556.1

(Continued)

*Primary Examiner* — Rosemary K Tarcza

*Assistant Examiner* — Nathaniel D. Buckner

(74) *Attorney, Agent, or Firm* — Muncy, Geissler, Olds &  
Lowe, P.C.

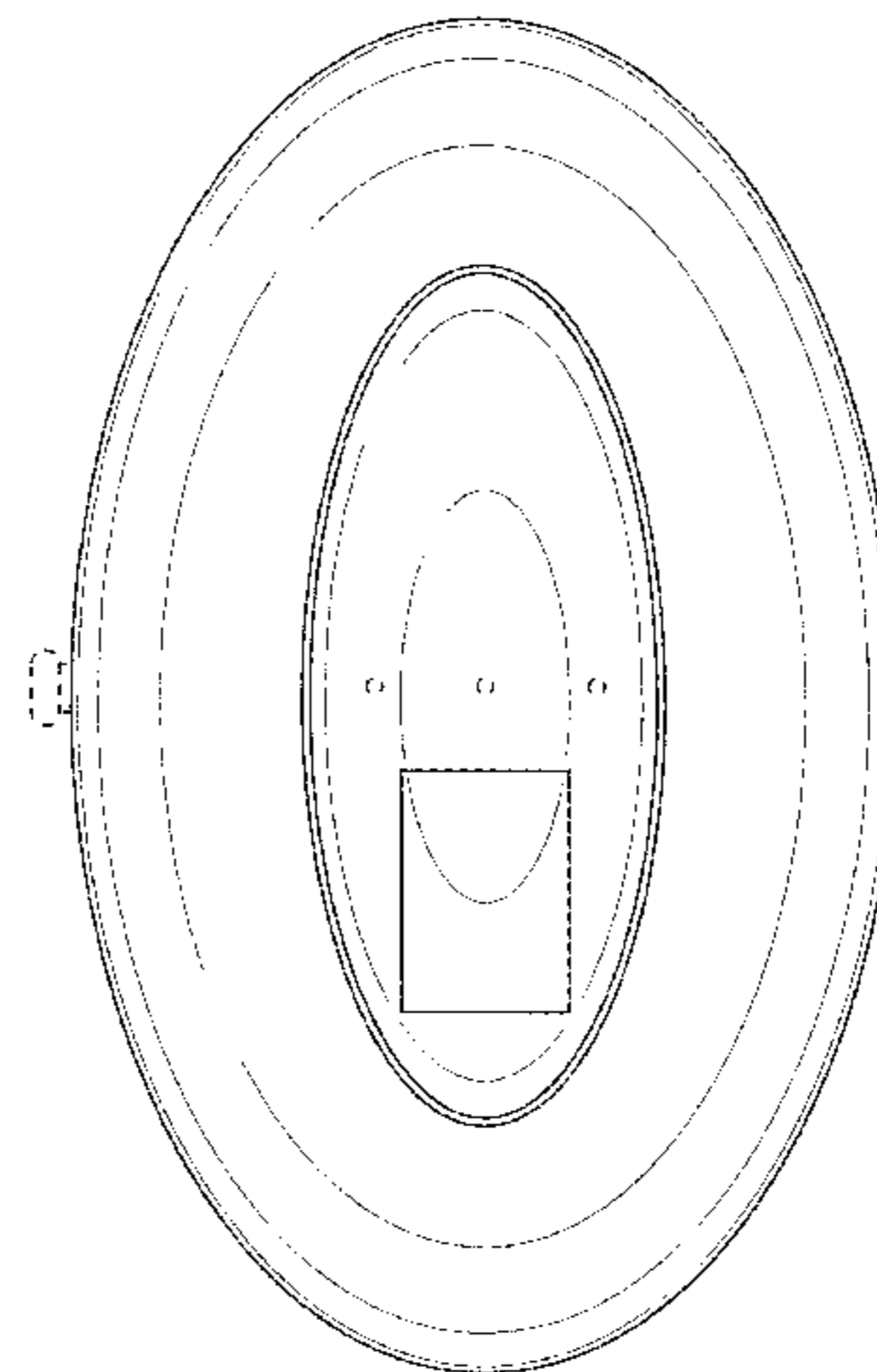
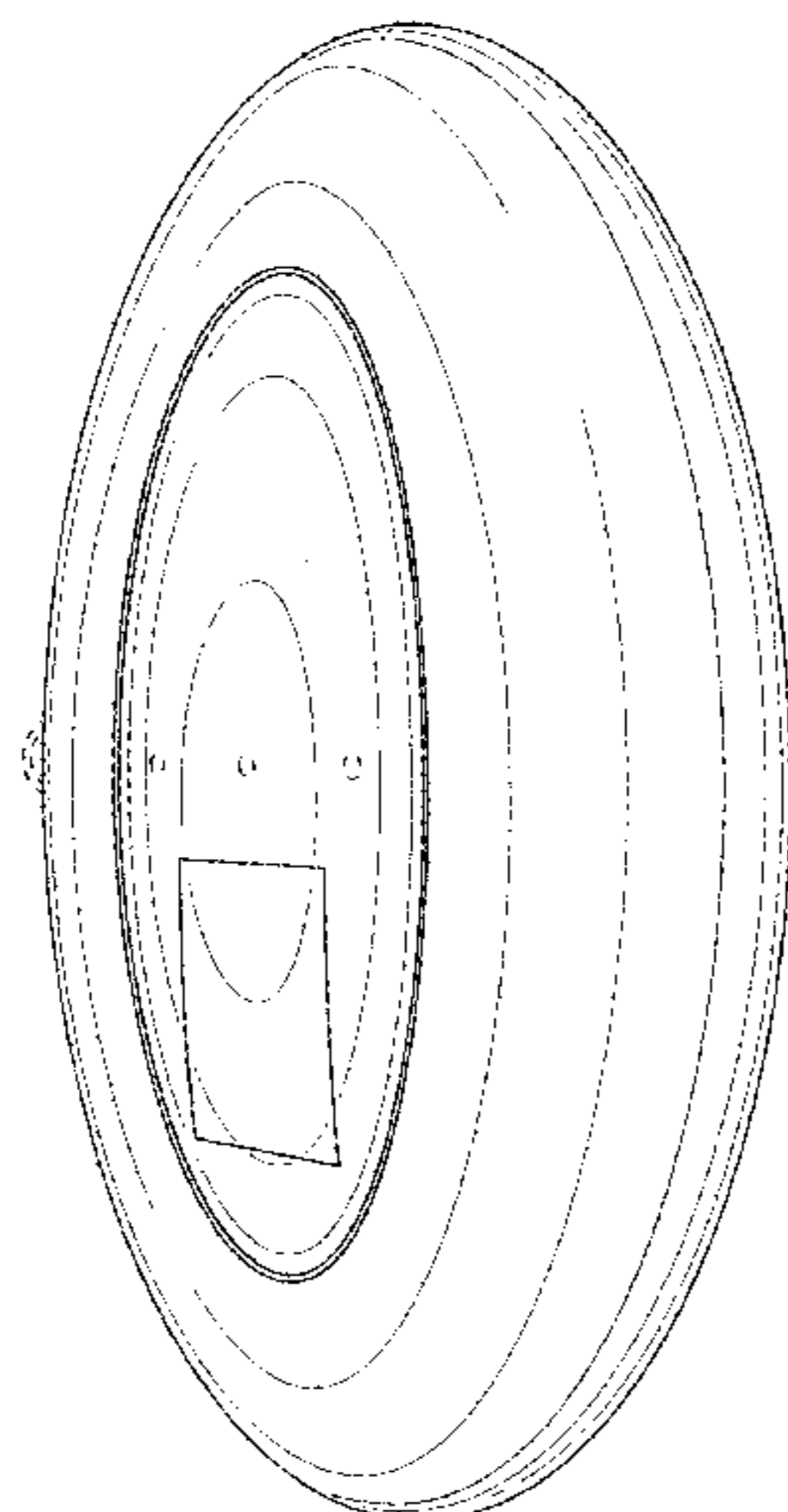
(57) **CLAIM**

The ornamental design for a charging pile, as shown and  
described.

**DESCRIPTION**

FIG. 1 is a perspective view of a charging pile showing our  
new design;  
FIG. 2 is a front elevational view thereof;  
FIG. 3 is a rear elevational view thereof;  
FIG. 4 is a left side view thereof;  
FIG. 5 is a right side view thereof;  
FIG. 6 is a top plan view thereof; and,  
FIG. 7 is a bottom plan view thereof.  
The broken lines are for the purpose of illustrating environ-  
mental structure and form no part of the claimed design.

**1 Claim, 7 Drawing Sheets**



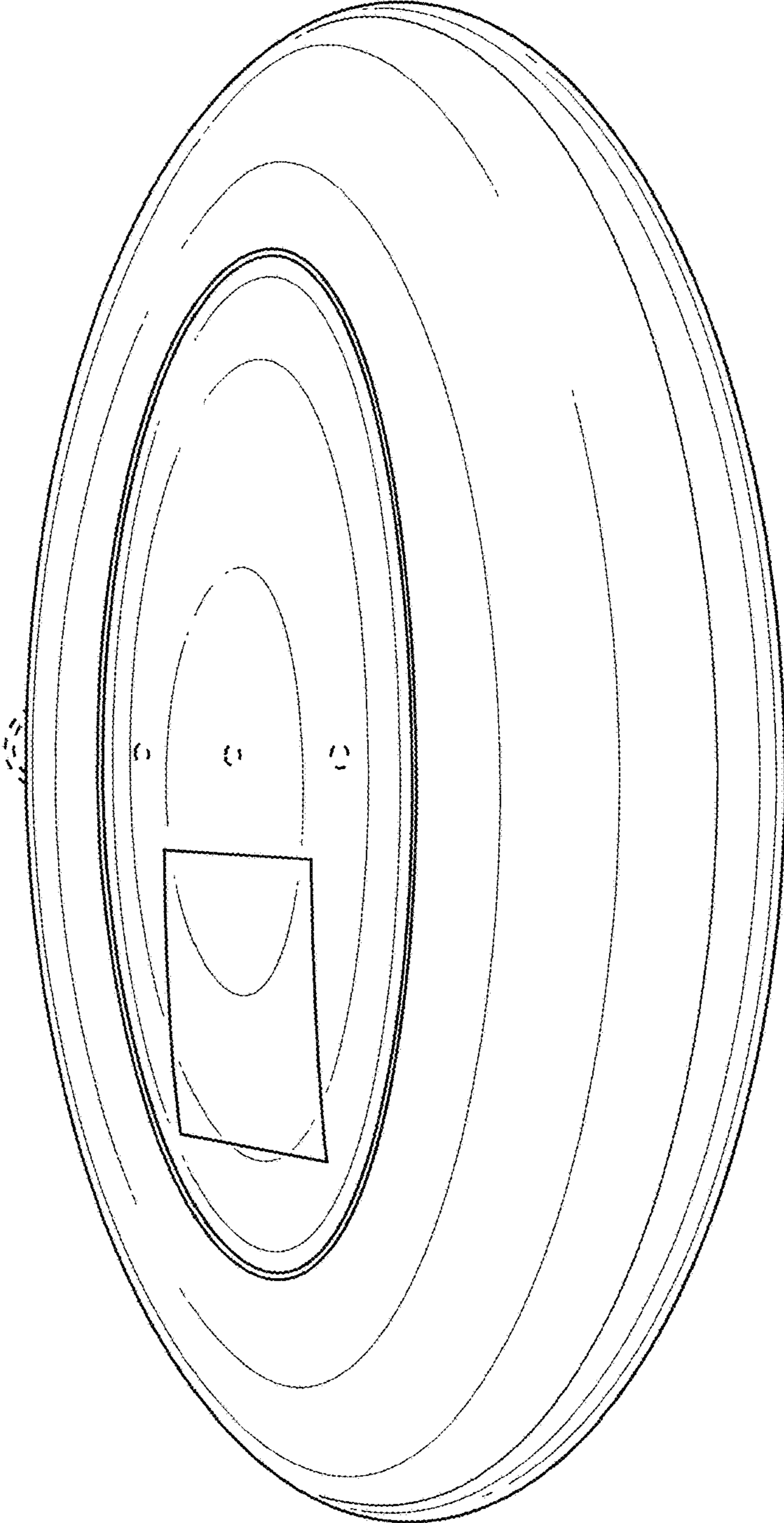
(56)

**References Cited**

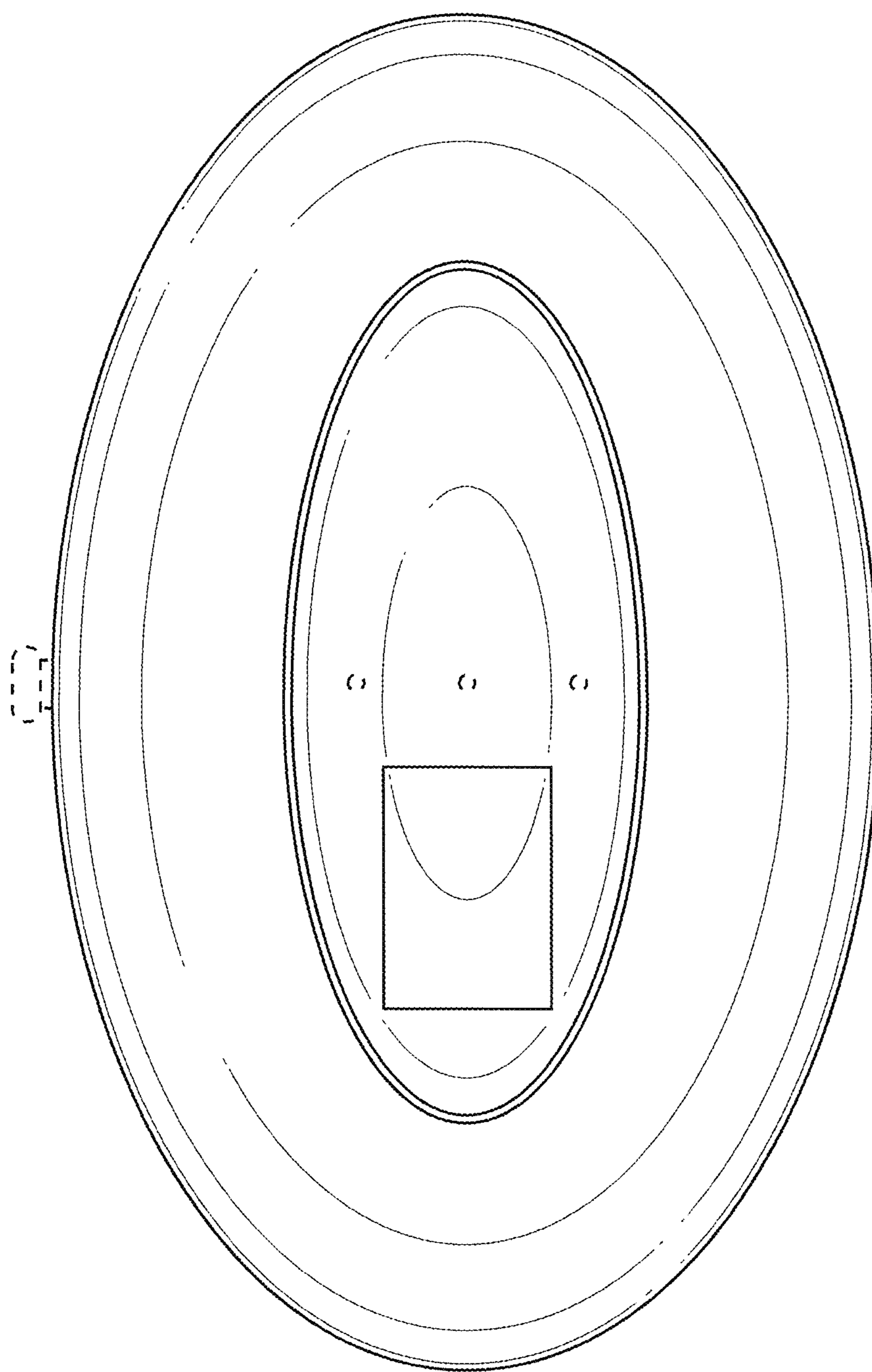
U.S. PATENT DOCUMENTS

2012/0212180 A1\* 8/2012 Iida ..... B65H 75/4476  
320/109

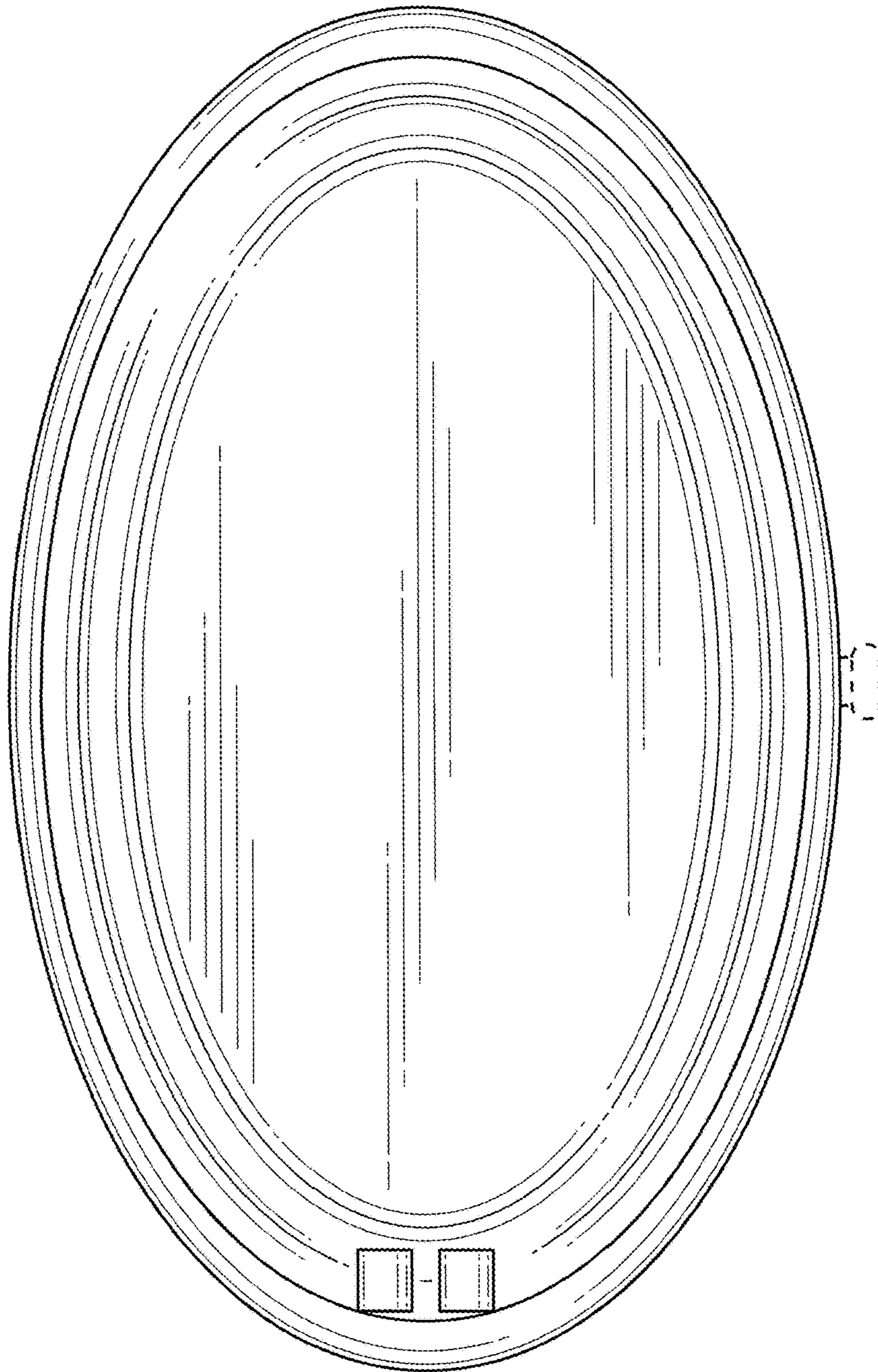
\* cited by examiner



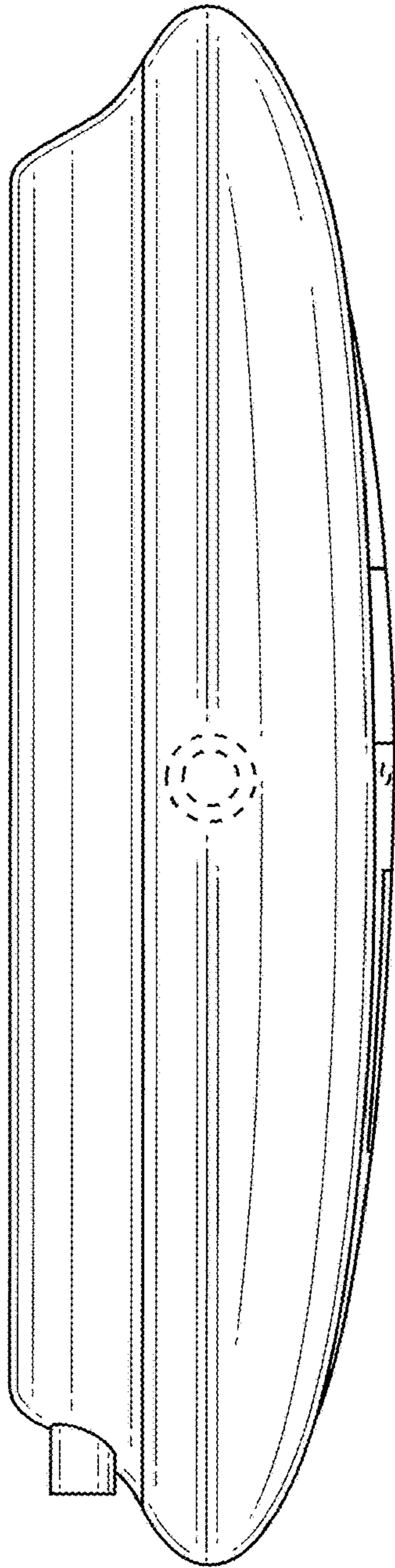
**FIG. 1**



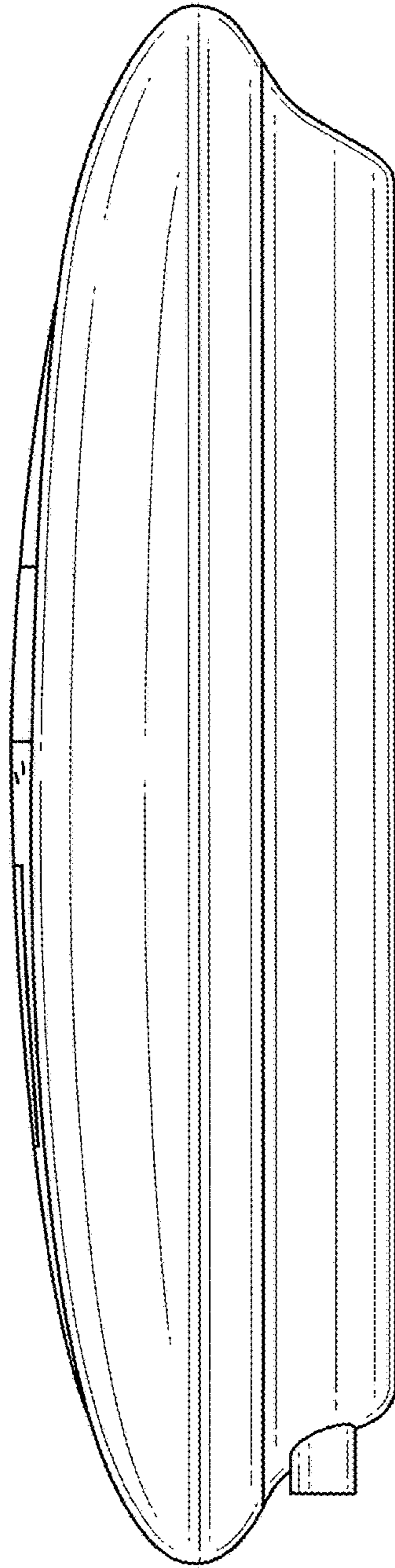
**FIG. 2**



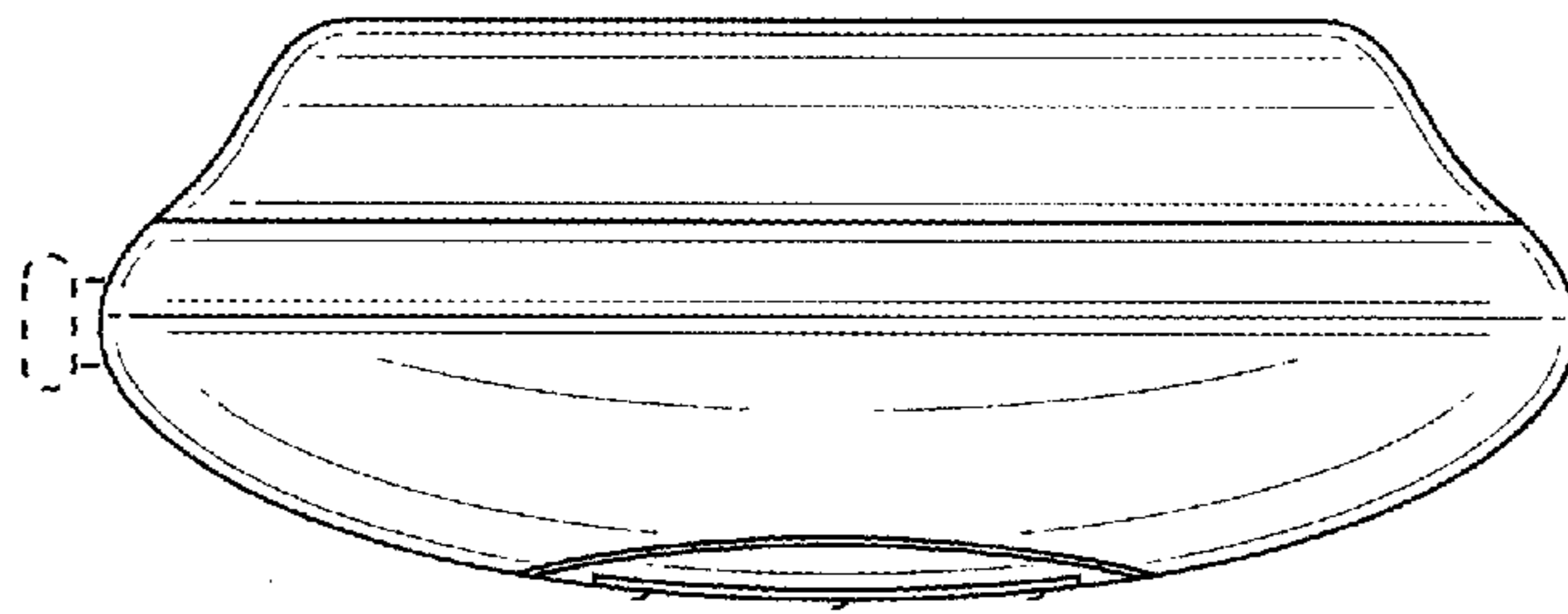
**FIG. 3**



**FIG. 4**

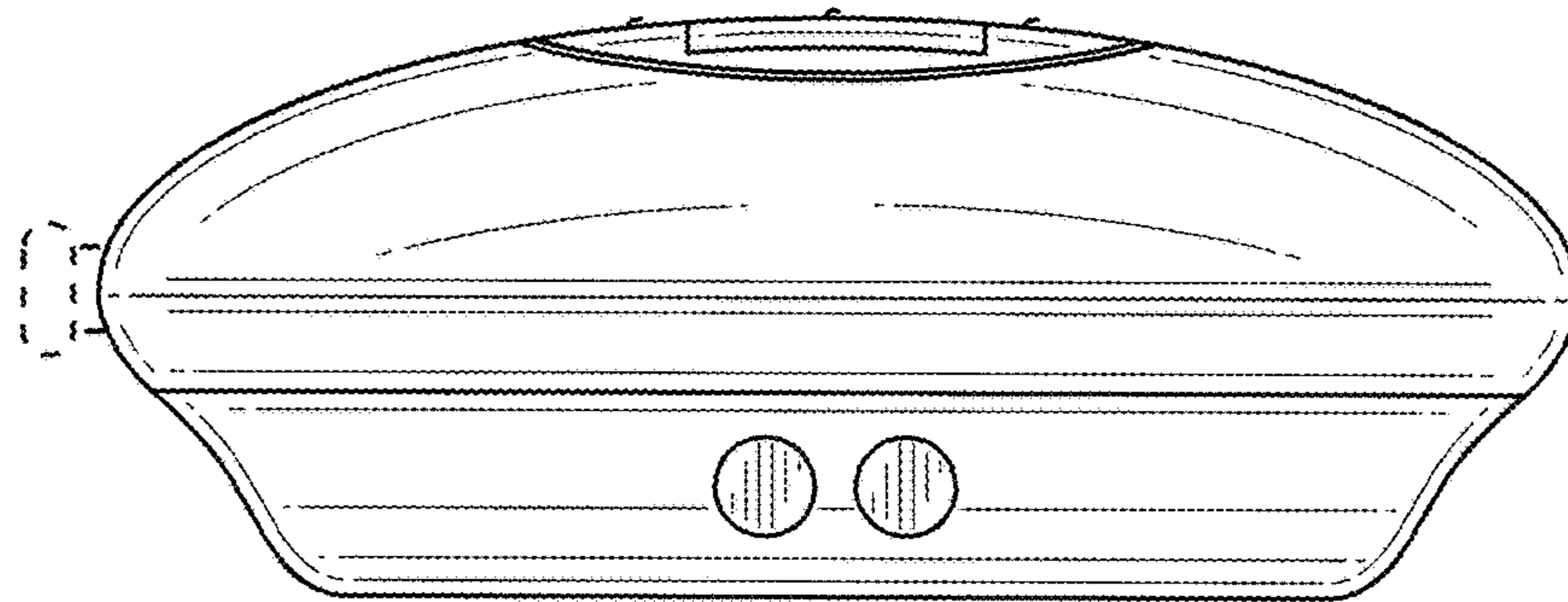


**FIG. 5**



**FIG. 6**





**FIG. 7**