



US00D830967S

(12) **United States Design Patent** (10) **Patent No.:** **US D830,967 S**
Sugiyama et al. (45) **Date of Patent:** **** Oct. 16, 2018**

(54) **STORAGE BATTERY**

(56) **References Cited**

(71) Applicant: **ELIHY POWER CO., LTD.**, Tokyo (JP)

U.S. PATENT DOCUMENTS

(72) Inventors: **Hideyuki Sugiyama**, Tokyo (JP);
Hiroshi Sato, Tokyo (JP); **Takeshi Sawada**, Tokyo (JP); **Kazutoshi Miyauchi**, Tokyo (JP); **Atsuhiko Minagawa**, Tokyo (JP)

2,247,161	A	*	6/1941	Wells	H01M 2/18 429/146
D491,138	S	*	6/2004	Minato	D13/104
D543,938	S	*	6/2007	Kawakita	D13/119
D590,344	S	*	4/2009	Suematsu	D13/147
D645,813	S	*	9/2011	Yamauchi	D13/103
D667,790	S	*	9/2012	Osaki	D13/120
D769,185	S	*	10/2016	Lee	D13/108
D791,696	S	*	7/2017	Tinius	D13/107
D791,699	S	*	7/2017	Watanabe	D13/108
D797,659	S	*	9/2017	Uggla	D13/103
D806,019	S	*	12/2017	Wang	D13/107

(73) Assignee: **ELIHY POWER CO., LTD.**, Shinagawa, Tokyo (JP)

* cited by examiner

(**) Term: **15 Years**

Primary Examiner — Rhea Shields

(21) Appl. No.: **35/502,415**

(74) *Attorney, Agent, or Firm* — Leydig, Voit & Mayer

(22) Filed: **Aug. 10, 2016**

(57) **CLAIM**

The ornamental design for a storage battery, as shown and described.

(80) **Hague Agreement Data**

Int. Filing Date: **Aug. 10, 2016**
Int. Reg. No.: **DM/092154**
Int. Reg. Date: **Aug. 10, 2016**
Int. Reg. Pub. Date: **Feb. 10, 2017**

DESCRIPTION

(30) **Foreign Application Priority Data**

Feb. 10, 2016 (JP) 2016-002884

(51) **LOC (11) Cl.** **13-02**

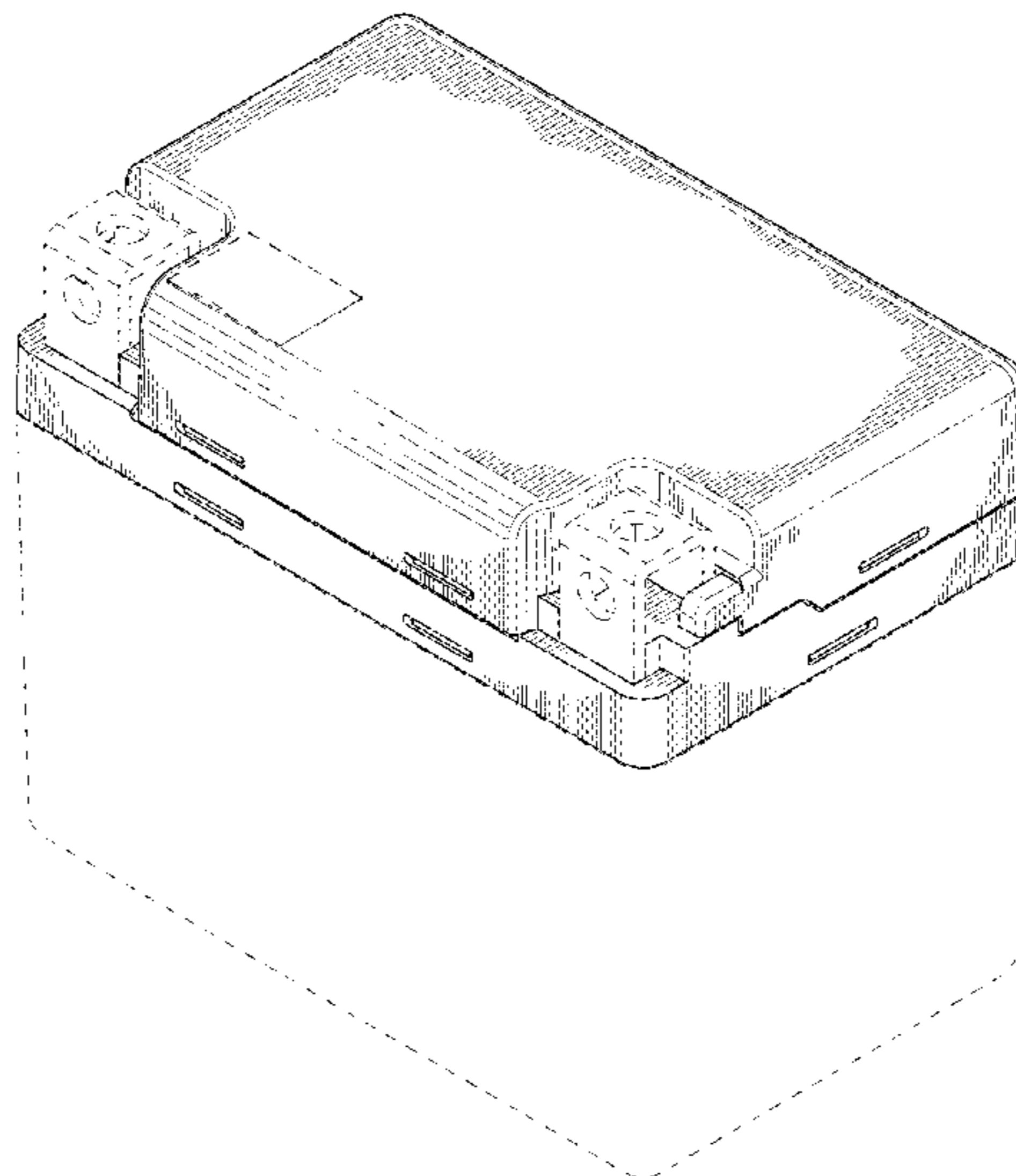
(52) **U.S. Cl.**
USPC **D13/103**

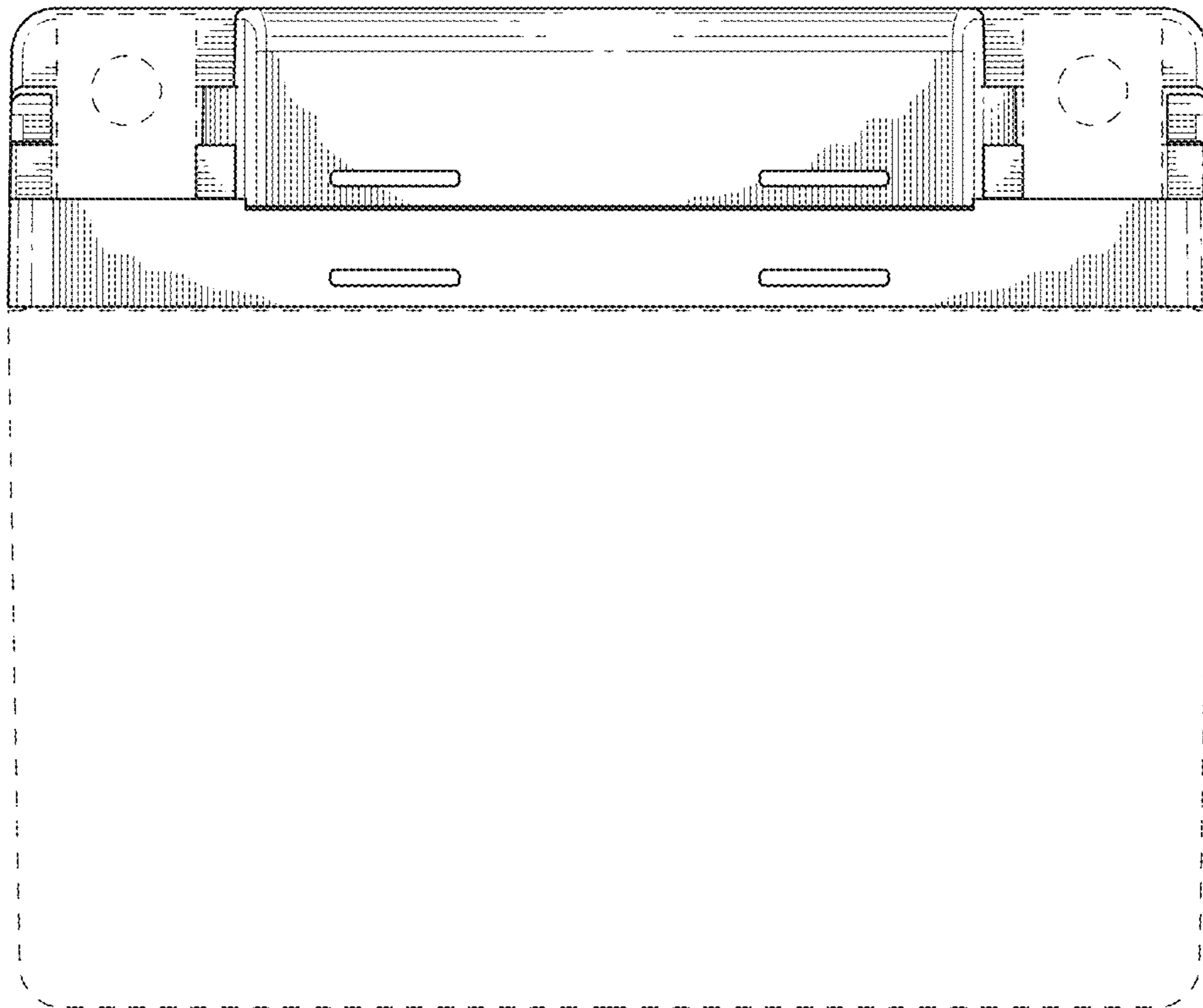
(58) **Field of Classification Search**
USPC D13/104, 103, 107, 108–110, 102, 119,
D13/147; 429/146
CPC H01M 2/18
See application file for complete search history.

- 1. Storage battery
- 1.1 : Front
- 1.2 : Back
- 1.3 : Top
- 1.4 : Bottom
- 1.5 : Left
- 1.6 : Right
- 1.7 : Front perspective view
- 1.8 : Back perspective view
- 1.9 : Front-top perspective view

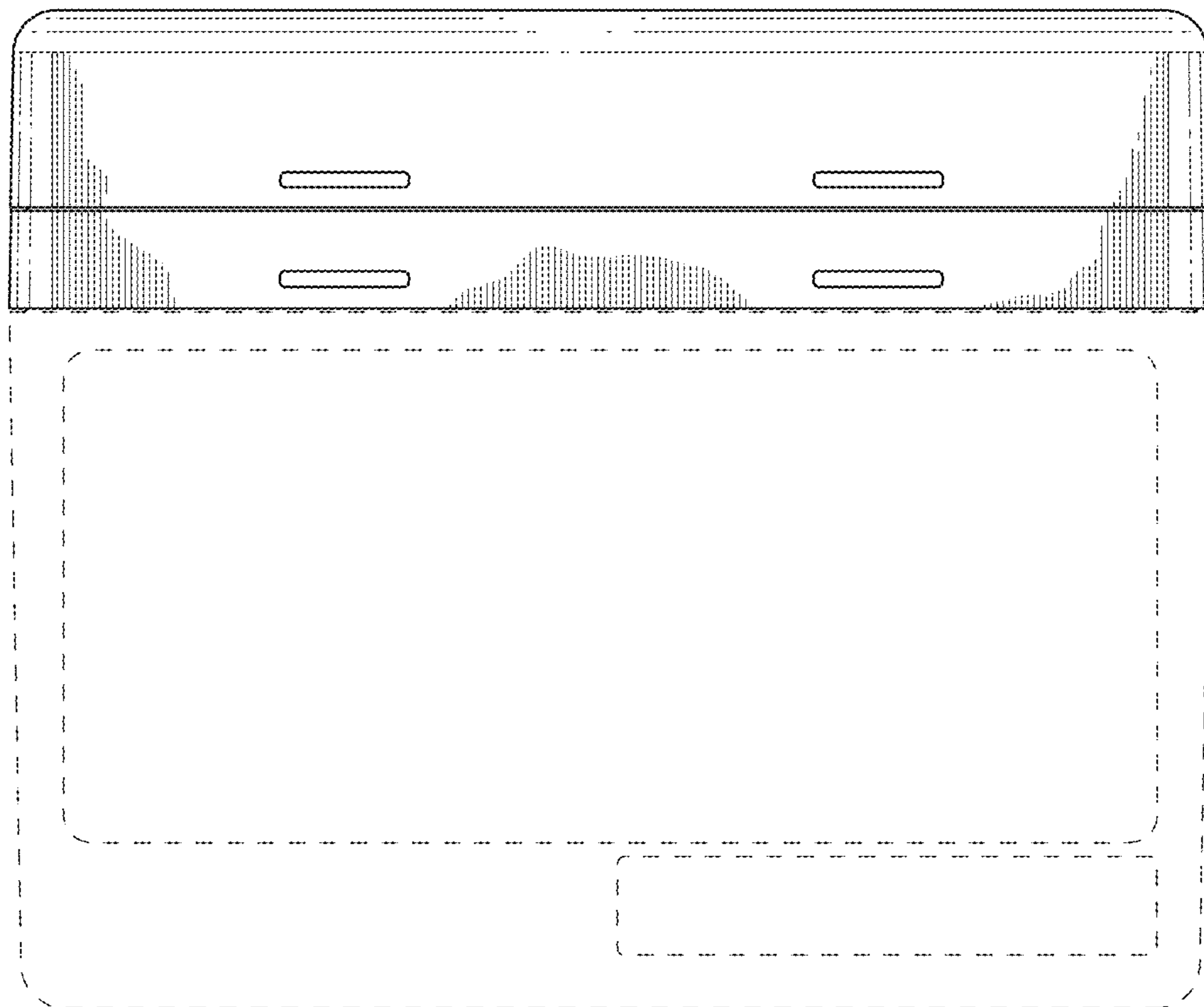
The parts shown in dotted lines do not form part of the claimed design; thin lines shown on the surface of the design in the front perspective view, the back perspective view and the front-top perspective view illustrate the shape of a three-dimensional surface.

1 Claim, 9 Drawing Sheets

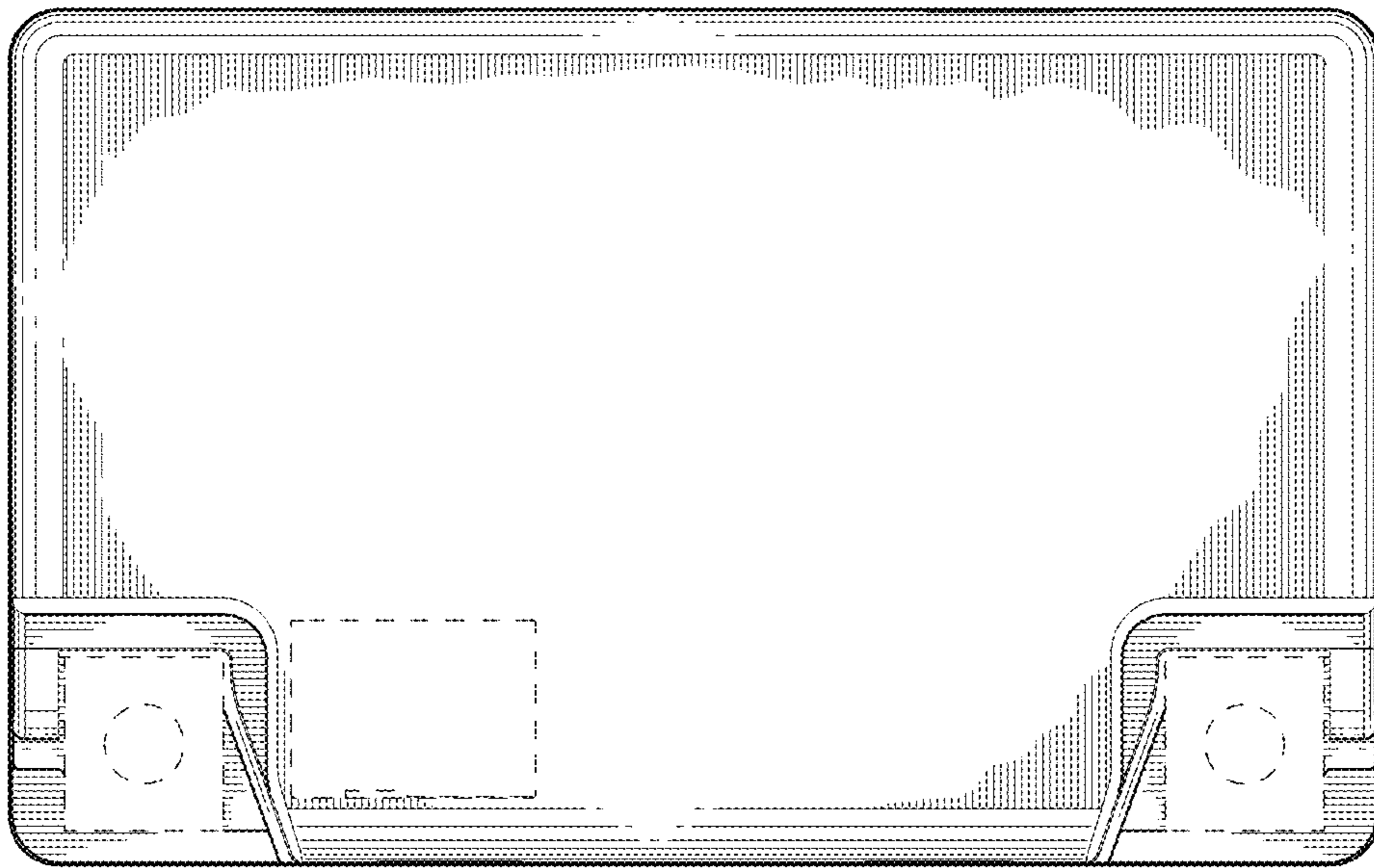




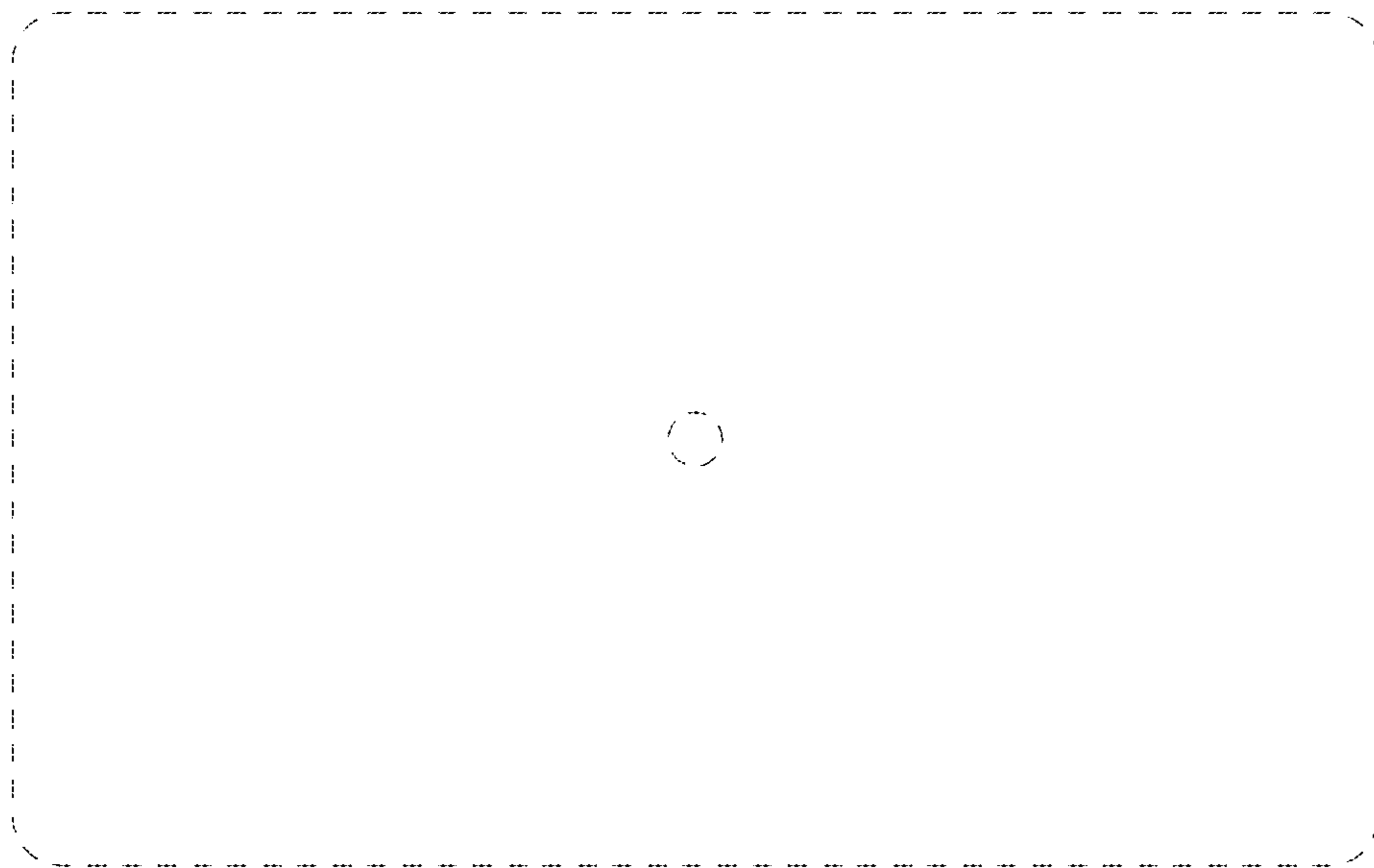
1.1



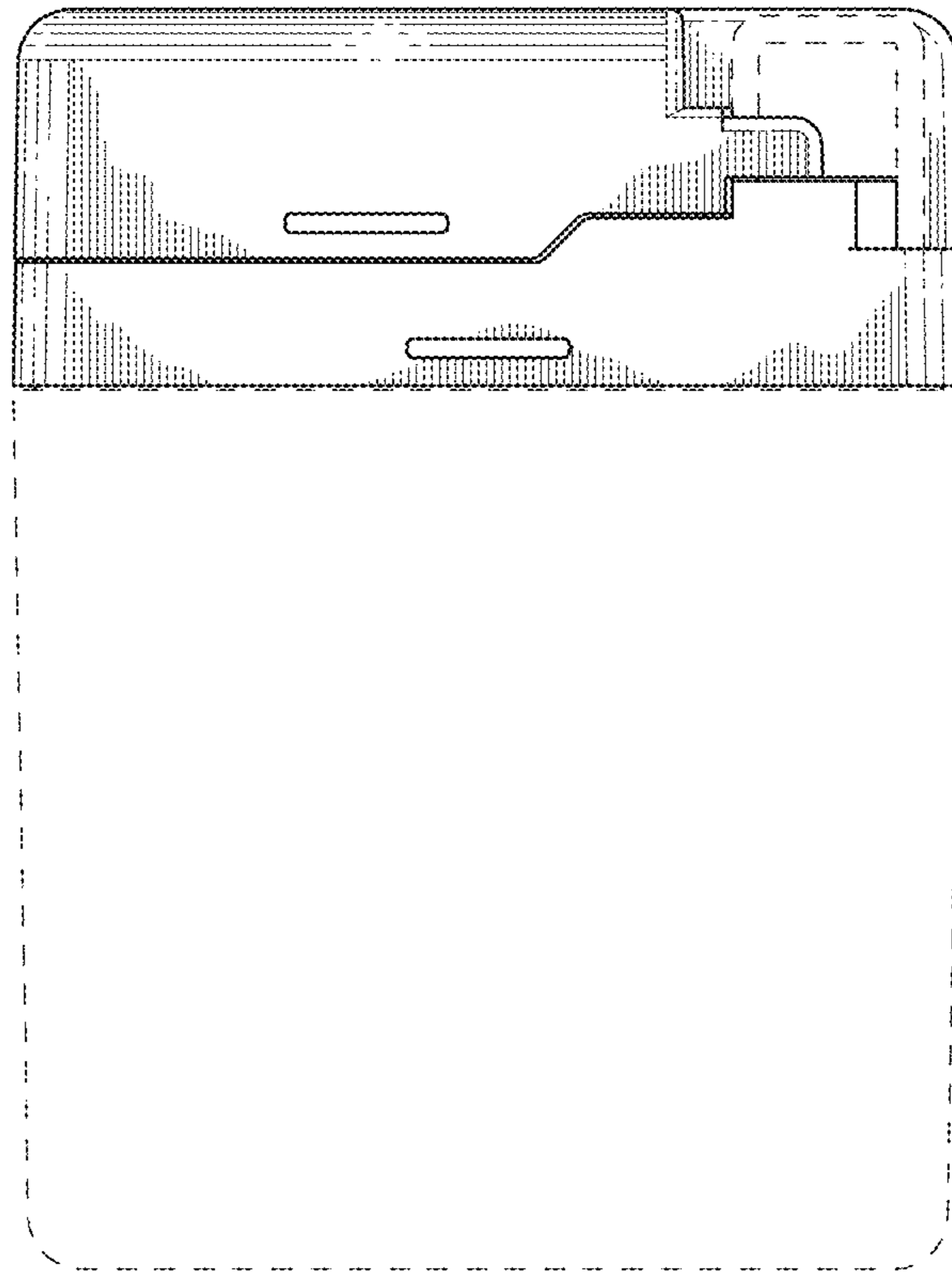
1.2



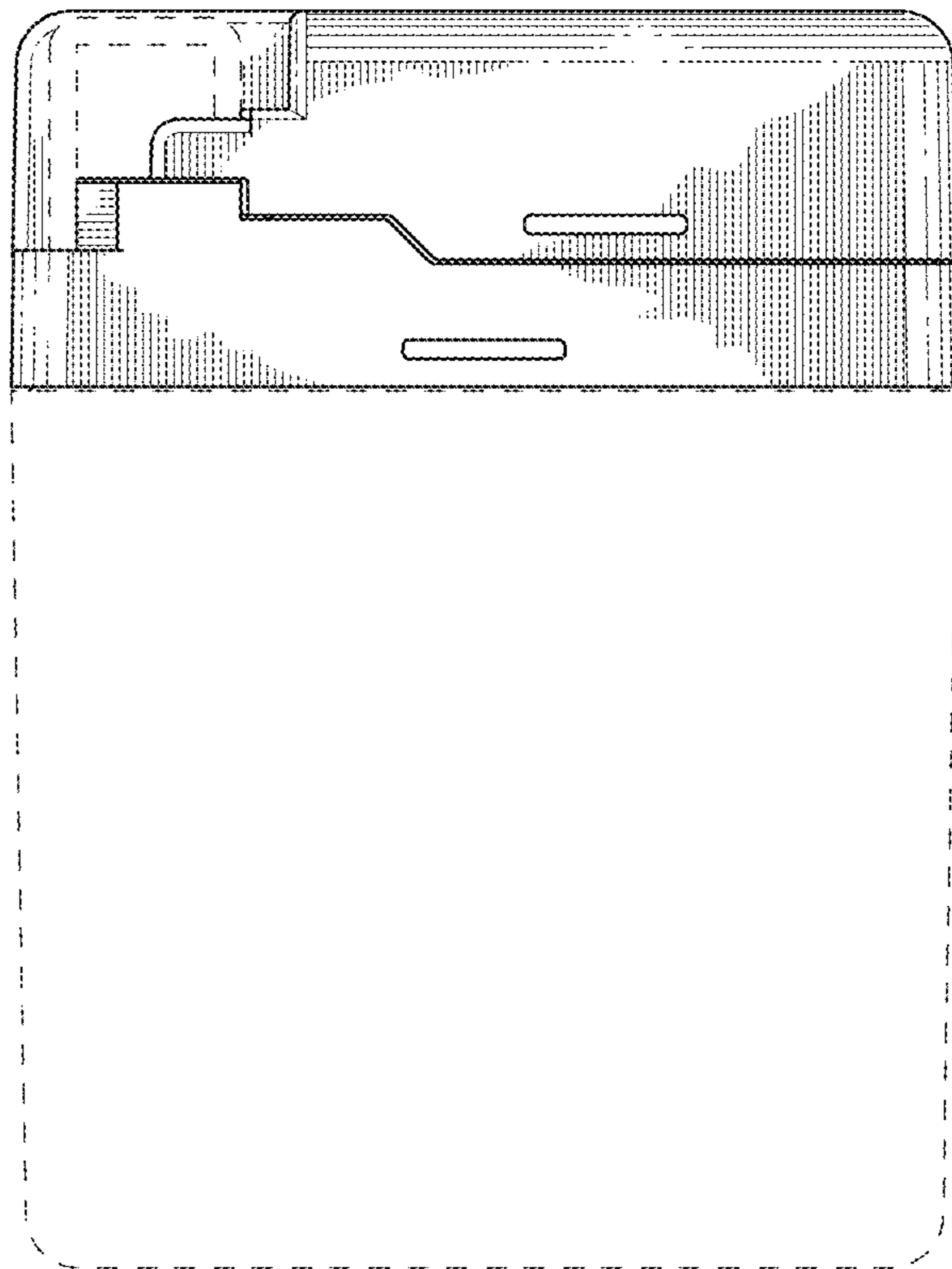
1.3



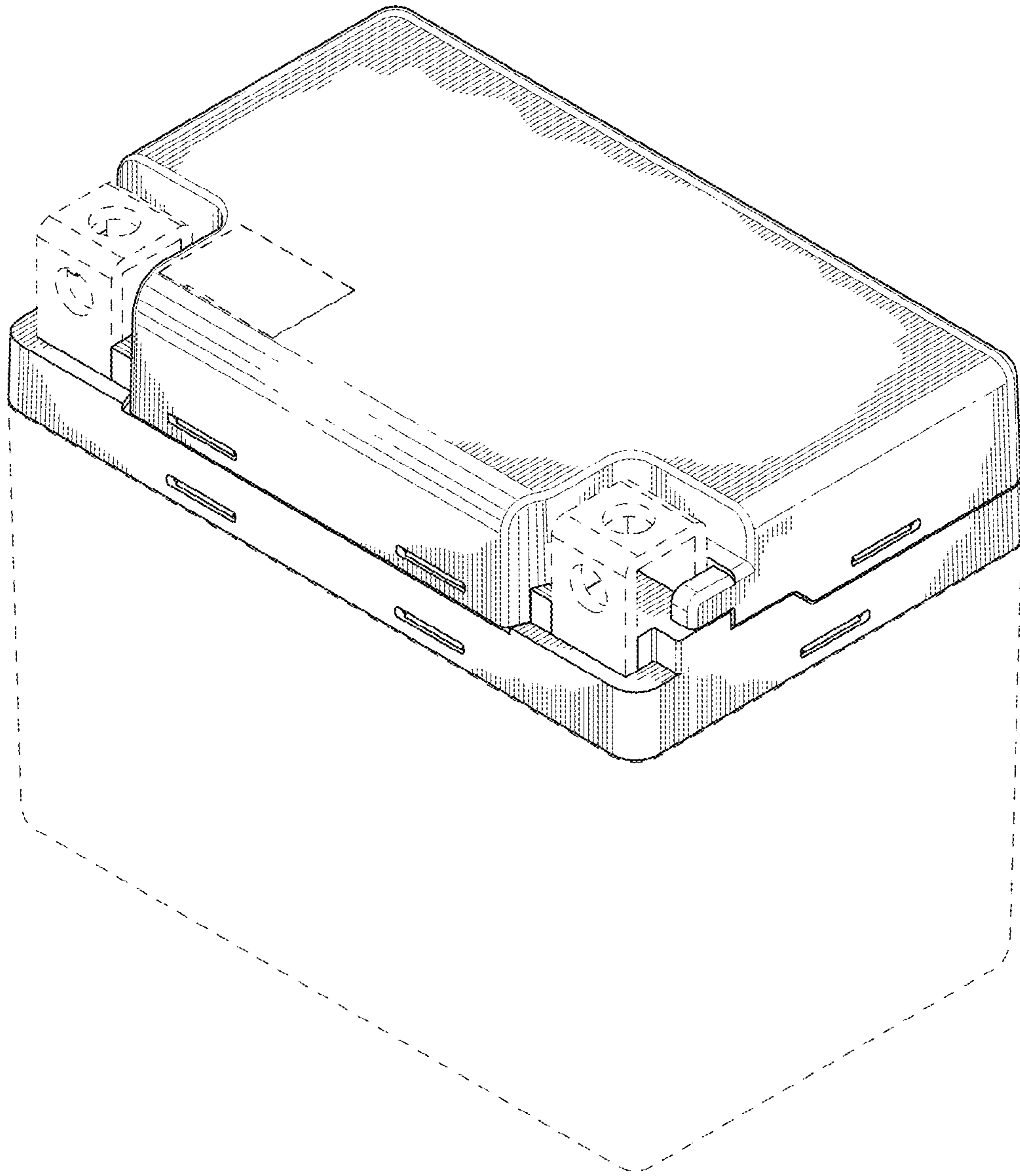
1.4



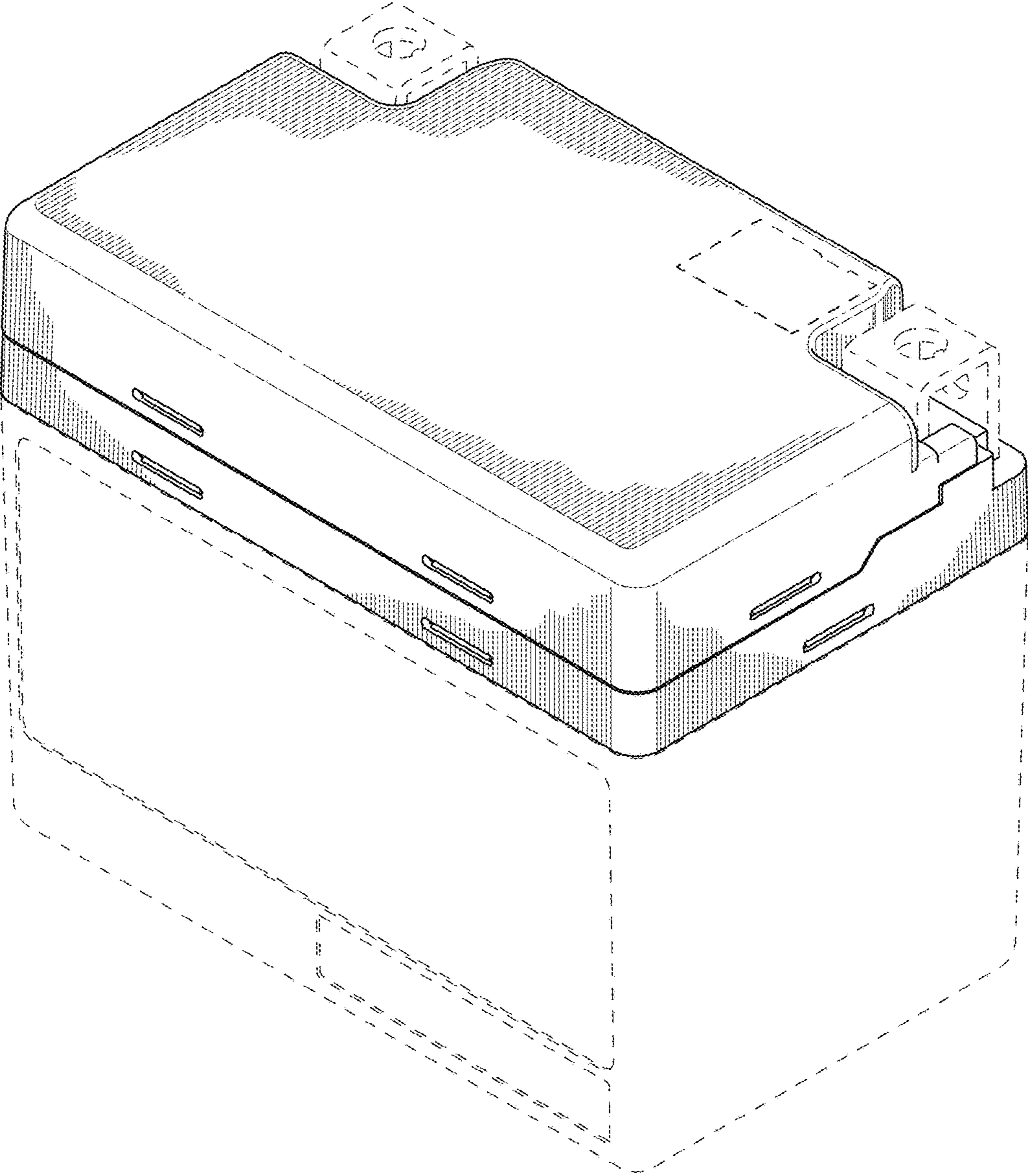
1.5



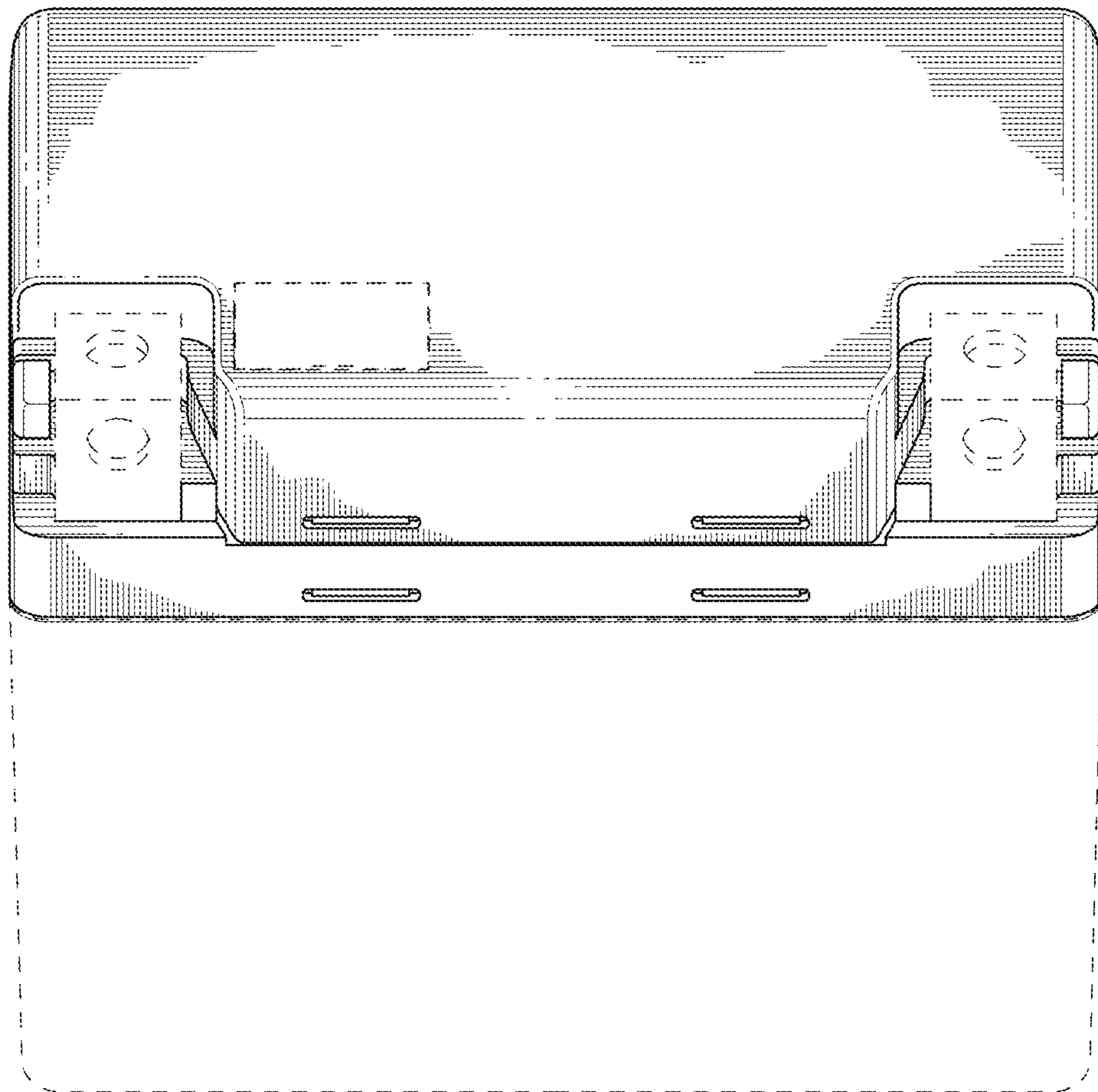
1.6



1.7



1.8



1.9