



US00D830965S

(12) **United States Design Patent**  
**Varatharajah et al.**

(10) **Patent No.:** **US D830,965 S**  
(45) **Date of Patent:** **\*\* Oct. 16, 2018**

- (54) **BATTERY CASE WITH COVER**
- (71) Applicant: **Johnson Controls Technology Company**, Milwaukee, WI (US)
- (72) Inventors: **Arunraj Varatharajah**, Menomonee Falls, WI (US); **Dale B. Trester**, Waukesha, WI (US)
- (73) Assignee: **Johnson Controls Technology Company**, Milwaukee, WI (US)
- (\*\*) Term: **15 Years**
- (21) Appl. No.: **29/592,243**
- (22) Filed: **Jan. 27, 2017**
- (51) **LOC (11) Cl.** ..... **13-02**
- (52) **U.S. Cl.**  
USPC ..... **D13/103**
- (58) **Field of Classification Search**  
USPC ..... D13/103, 102, 107-108, 110, 118-119, D13/184  
CPC ..... Y02E 60/12; Y02E 60/122; Y02E 60/124; Y02E 60/50; H01M 2/02; H01M 2/022; H01M 2/0202; H01M 2/0207; H01M  
(Continued)

- (56) **References Cited**  
**U.S. PATENT DOCUMENTS**  
  
D64,969 S 6/1924 Glidden  
D67,258 S 5/1925 Bello  
(Continued)

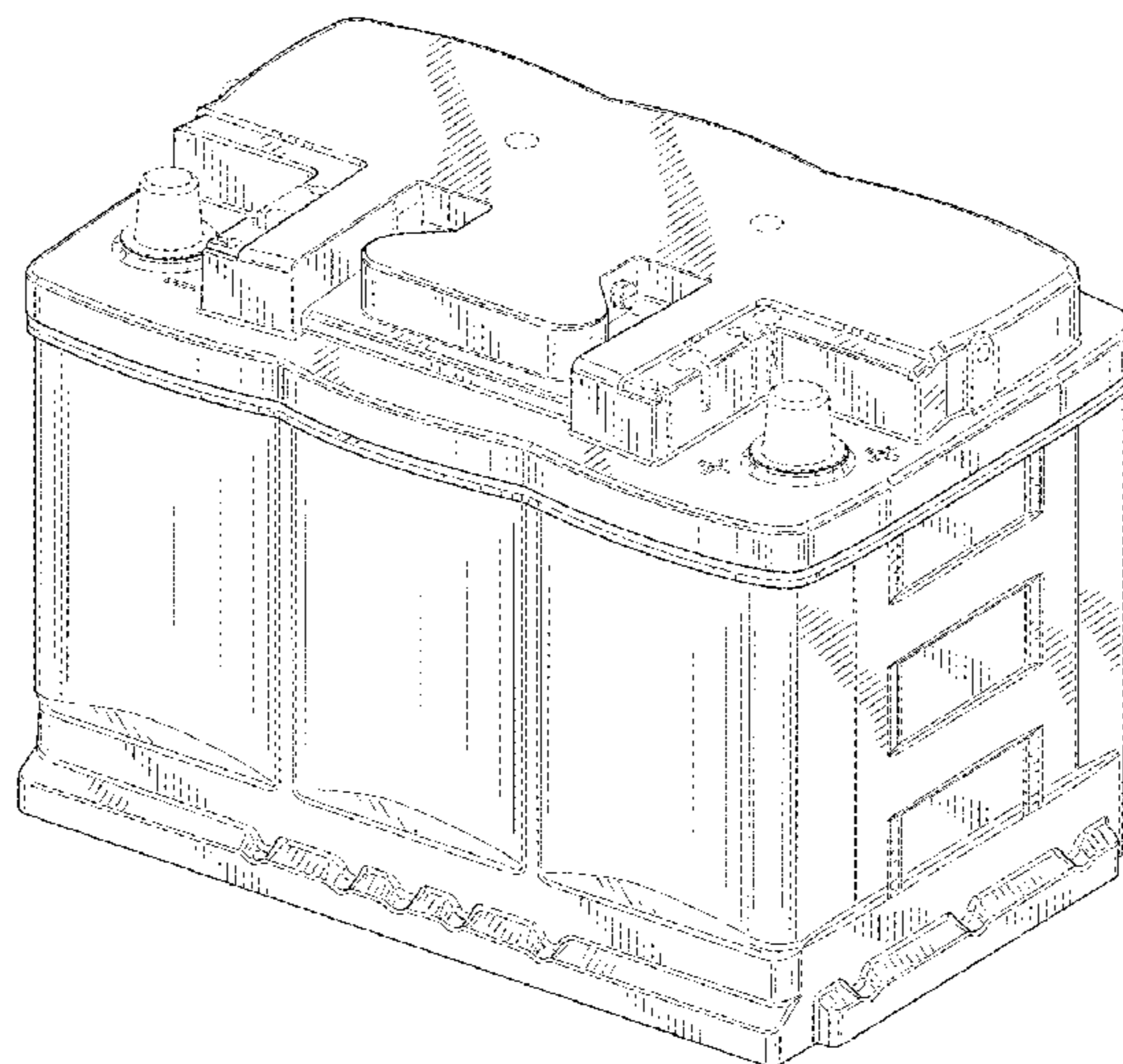
**OTHER PUBLICATIONS**  
Photographs of "old" Optima battery with a date stamp of Week 47, 1990.  
  
(Continued)

*Primary Examiner* — Jennifer Rivard  
*Assistant Examiner* — Alison M Ofstun  
(74) *Attorney, Agent, or Firm* — Boardman & Clark LLP

(57) **CLAIM**  
The ornamental design for a battery case with cover, as shown and described.

**DESCRIPTION**  
  
FIG. 1 is an isometric view of a first embodiment of a battery case with cover showing our new design; FIG. 2 is a front view of the battery case with cover shown in FIG. 1; FIG. 3 is a rear view of the battery case with cover shown in FIG. 1; FIG. 4 is a right side view of the battery case with cover shown in FIG. 1; FIG. 5 is a left side view of the battery case with cover shown in FIG. 1, taken from the side opposite FIG. 4; FIG. 6 is a top view of the battery case with cover shown in FIG. 1; FIG. 7 is a bottom view of the battery case with cover shown in FIG. 1; FIG. 8 is isometric view of a second embodiment of a battery case with cover; FIG. 9 is a front view of the battery case with cover shown in FIG. 8; FIG. 10 is a rear view of the battery case with cover shown in FIG. 8; FIG. 11 is a right side view of the battery case with cover shown in FIG. 8; FIG. 12 is a left side view of the battery case with cover shown in FIG. 8, taken from the side opposite FIG. 11; FIG. 13 is a top view of the battery case with cover shown in FIG. 8; and, FIG. 14 is a bottom view of the battery case with cover shown in FIG. 8.  
  
The broken lines are shown for the purpose of illustrating parts of the article that form no part of the claim. Further, the portions of the battery case and/or cover that are not shown in the drawings do not form any part of the claimed design.

**1 Claim, 14 Drawing Sheets**



(58) **Field of Classification Search**  
 CPC ..... 2/0212; H01M 2/1061; H01M 2/1022;  
 H01M 2/1055; H01M 2/1066; H01M  
 2/105; H01M 2/204; H01M 10/4257;  
 H01M 10/0436; H01M 10/48  
 See application file for complete search history.

(56) **References Cited**

U.S. PATENT DOCUMENTS

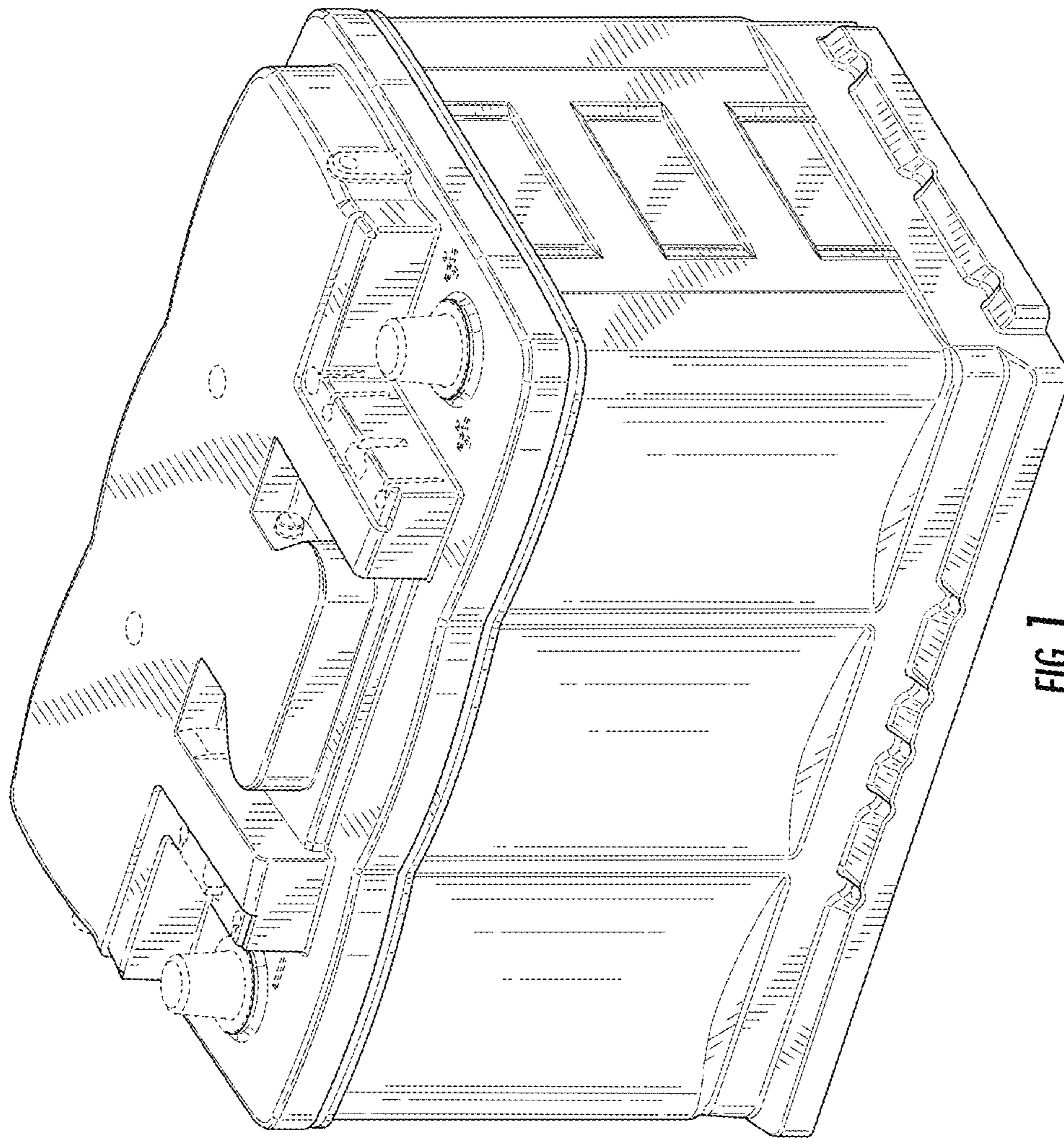
D68,262 S 9/1925 Klug  
 D70,400 S 6/1926 Campbell  
 D75,446 S 6/1928 Reiser  
 2,724,360 A 11/1955 Crookshank et al.  
 D181,079 S 9/1957 Toce  
 D183,777 S 10/1958 Weilss  
 D188,421 S 7/1960 Slautterback  
 3,105,909 A 10/1963 Jones et al.  
 D197,519 S 2/1964 Rohe  
 D211,348 S 6/1968 Redmon  
 D239,837 S 5/1976 Hennen  
 3,963,972 A 6/1976 Todd et al.  
 D252,354 S 7/1979 Uyeda  
 4,346,151 A 8/1982 Uba et al.  
 D266,757 S 11/1982 Campbell et al.  
 4,510,215 A 4/1985 Adam  
 D289,995 S 5/1987 Armiger  
 D292,576 S 11/1987 Kump et al.  
 D298,029 S 10/1988 Foster  
 D299,227 S 1/1989 Grannen, III  
 D303,373 S 9/1989 Ching, Jr.  
 D303,519 S 9/1989 Lopez-Doriga  
 D303,652 S 9/1989 Lopez-Doriga  
 D303,653 S 9/1989 Lopez-Doriga  
 D304,926 S 12/1989 Ching, Jr.  
 D304,927 S 12/1989 Ching, Jr. et al.  
 4,891,270 A 1/1990 Jergl et al.  
 D307,133 S 4/1990 Ching, Jr.  
 D310,205 S 8/1990 Hedrington et al.  
 D310,821 S 9/1990 Hulsebus et al.  
 D318,025 S 7/1991 Moritaka  
 D327,051 S 6/1992 Schwartz  
 5,283,137 A 2/1994 Ching et al.  
 D344,676 S 3/1994 Newman  
 D356,993 S 4/1995 Koster  
 5,415,956 A 5/1995 Ching et al.  
 D367,042 S 2/1996 Morrow  
 5,492,779 A 2/1996 Ronning et al.  
 D372,701 S 8/1996 Tahmassebpur  
 5,599,641 A 2/1997 Ching, Jr. et al.  
 5,663,008 A 9/1997 Shimakawa et al.  
 5,686,202 A 11/1997 Hooke et al.  
 5,763,116 A 6/1998 Lapinski et al.  
 D401,551 S 11/1998 Kim  
 5,856,037 A 1/1999 Casale et al.  
 5,871,862 A 2/1999 Olson et al.  
 D406,258 S 3/1999 Segers  
 5,895,728 A 4/1999 Walker et al.  
 5,977,746 A 11/1999 Hershberger et al.  
 5,998,062 A 12/1999 Olson et al.  
 6,022,638 A 2/2000 Horton et al.  
 6,023,146 A 2/2000 Casale et al.  
 6,153,331 A 11/2000 Brantley et al.  
 6,174,618 B1 1/2001 Nishiyama et al.  
 6,183,903 B1 2/2001 Campbell et al.  
 D442,542 S 5/2001 Dougherty et al.  
 6,303,247 B1 10/2001 Griffey et al.  
 D450,653 S 11/2001 Hertel et al.

D458,900 S 6/2002 Carter et al.  
 6,399,238 B1 6/2002 Oweis et al.  
 D462,656 S 9/2002 Degen et al.  
 D466,478 S 12/2002 Bolstad et al.  
 D491,138 S 6/2004 Minato  
 D495,994 S 9/2004 Arakelian  
 D499,070 S 11/2004 Lavington  
 6,929,882 B1 8/2005 Carter et al.  
 D517,479 S 3/2006 Schemm  
 D517,987 S 3/2006 Castagnola et al.  
 D517,988 S 3/2006 Ihde et al.  
 D527,344 S 8/2006 Rajpara et al.  
 D528,502 S 9/2006 Fleetwood et al.  
 D531,117 S 10/2006 Schrick et al.  
 D553,565 S 10/2007 Kawakita et al.  
 7,287,648 B2 10/2007 Foreman et al.  
 D559,778 S 1/2008 Tsuzuki et al.  
 D562,229 S 2/2008 Peters  
 D562,765 S 2/2008 Tsuzuki et al.  
 7,332,243 B2 2/2008 Cummins et al.  
 D584,684 S \* 1/2009 Aglassinger ..... D13/110  
 D600,202 S 9/2009 Mack et al.  
 D604,696 S 11/2009 Tasai  
 D606,938 S 12/2009 Mack et al.  
 D606,939 S 12/2009 Mack et al.  
 D606,940 S 12/2009 Mack et al.  
 D607,405 S 1/2010 Mack et al.  
 D607,406 S 1/2010 Mack et al.  
 D607,407 S 1/2010 Mack et al.  
 D608,283 S 1/2010 Mack et al.  
 D609,178 S 2/2010 Mack et al.  
 D609,179 S 2/2010 Mack et al.  
 D609,631 S 2/2010 Mack et al.  
 D610,089 S 2/2010 Mack et al.  
 D614,126 S 4/2010 Chen  
 D621,353 S 8/2010 Mack et al.  
 D623,127 S 9/2010 Seyama et al.  
 D625,253 S 10/2010 Mack et al.  
 D625,254 S 10/2010 Mack et al.  
 D633,864 S 3/2011 Qualls et al.  
 D635,508 S 4/2011 Seyama et al.  
 D635,509 S 4/2011 Mack et al.  
 D643,810 S \* 8/2011 Qualls ..... D13/106  
 D647,052 S \* 10/2011 Qualls ..... D13/106  
 D660,232 S 5/2012 Elison et al.  
 D660,790 S 5/2012 Elison et al.  
 D660,792 S \* 5/2012 Inskeep ..... D13/104  
 D731,413 S \* 6/2015 Ke ..... D13/104  
 9,092,634 B2 \* 7/2015 Cherry ..... G06F 21/602  
 D742,307 S \* 11/2015 DeKeuster ..... D13/103  
 9,748,578 B2 \* 8/2017 Mack ..... H01M 4/73  
 D806,016 S \* 12/2017 Villarreal ..... D13/103  
 9,865,845 B2 \* 1/2018 Kim ..... H01M 2/0247  
 2003/0059676 A1 3/2003 Ruiz Rodriguez et al.  
 2004/0170888 A1 9/2004 Cummins et al.  
 2004/0247996 A1 12/2004 Smith et al.  
 2005/0069762 A1 3/2005 Daley et al.  
 2009/0291359 A1 \* 11/2009 Wirtz ..... H01M 4/73  
 429/122  
 2015/0111083 A1 \* 4/2015 Kim ..... H01M 2/206  
 429/120  
 2017/0229687 A1 \* 8/2017 Elison ..... H01M 2/1005

OTHER PUBLICATIONS

Optima Batteries brochure entitled, "The Ultimate Power Source,"  
 dated Mar. 2007.  
 Optima Batteries New Product Announcement, 2008.

\* cited by examiner



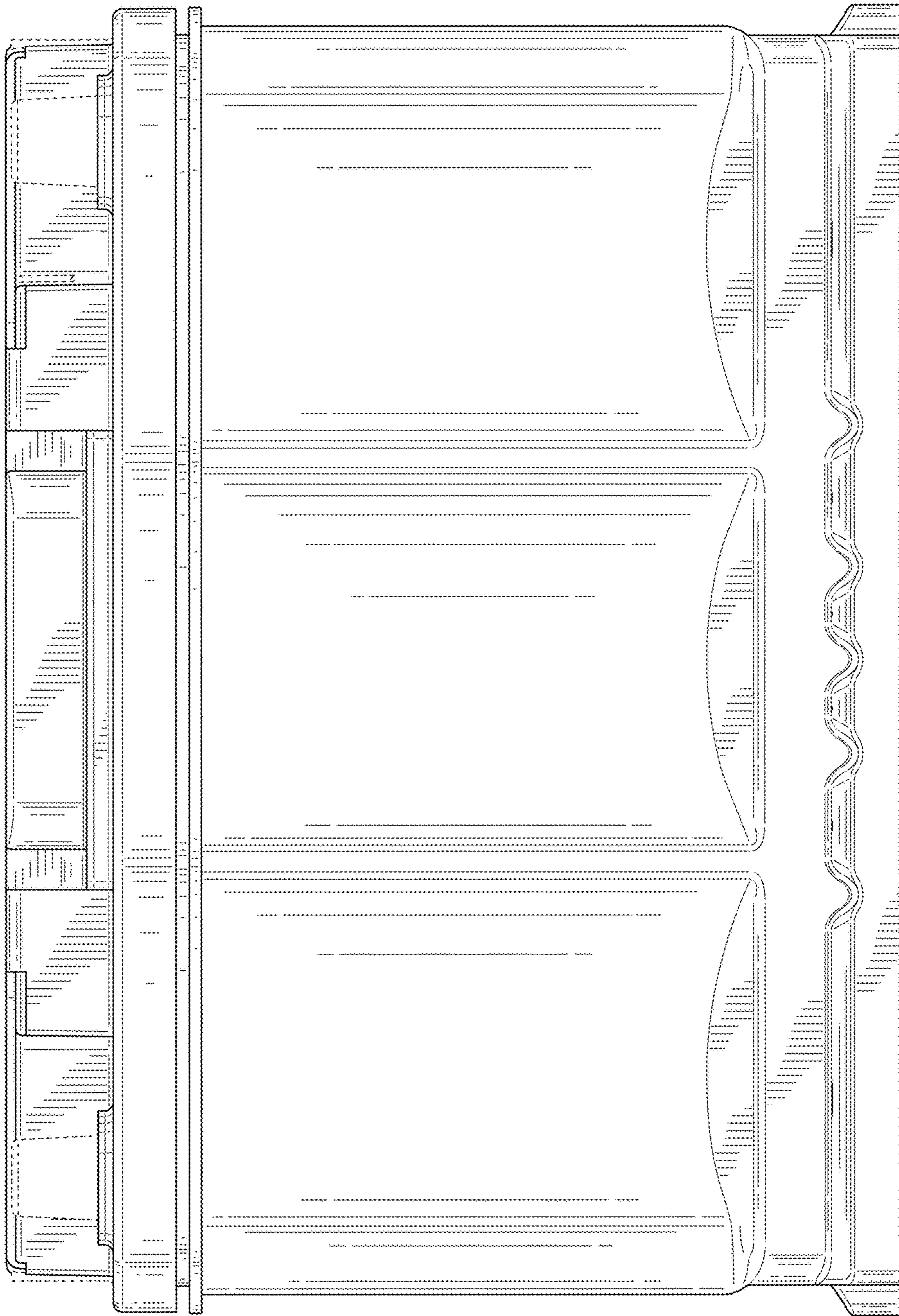


FIG. 2

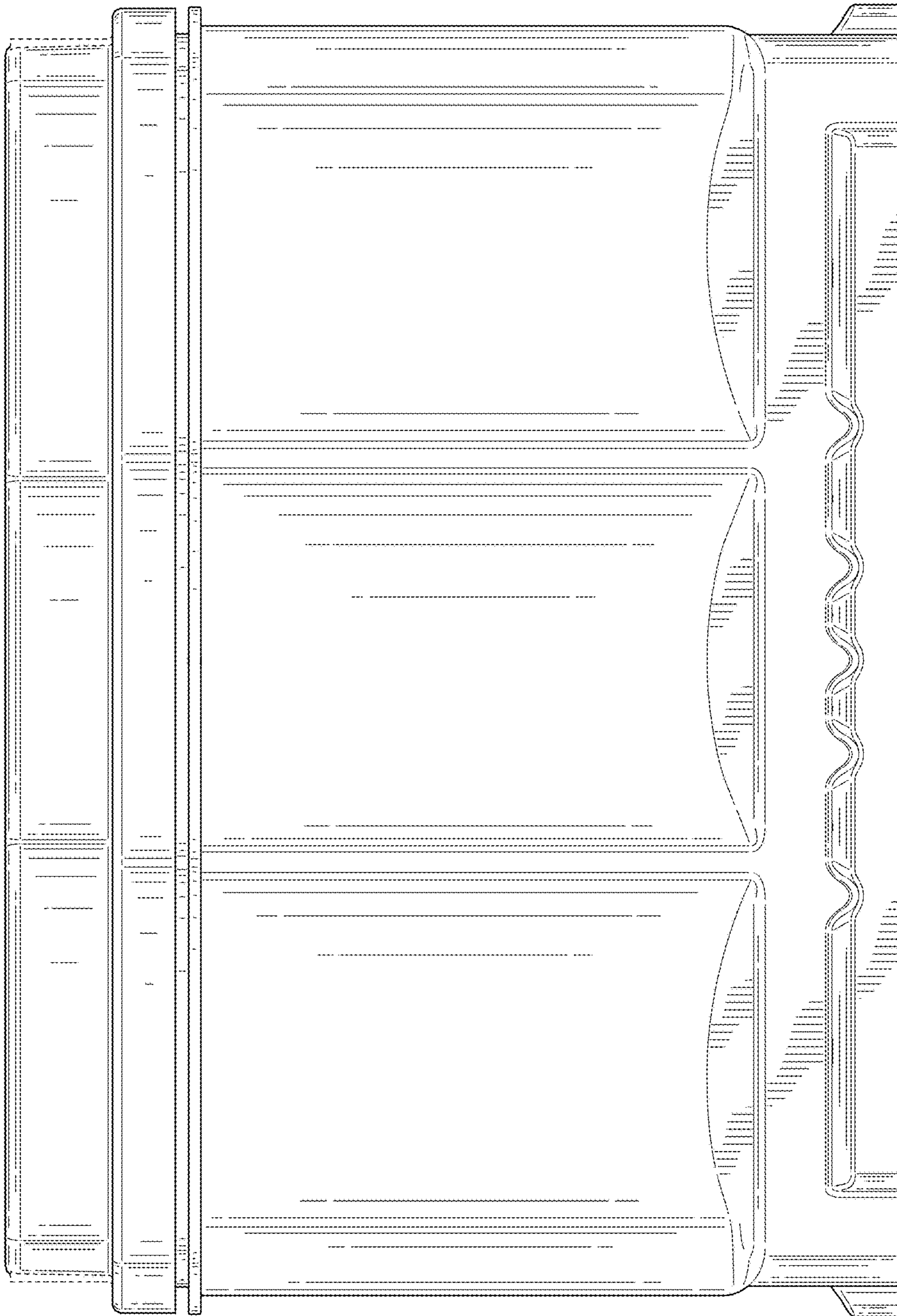


FIG. 3

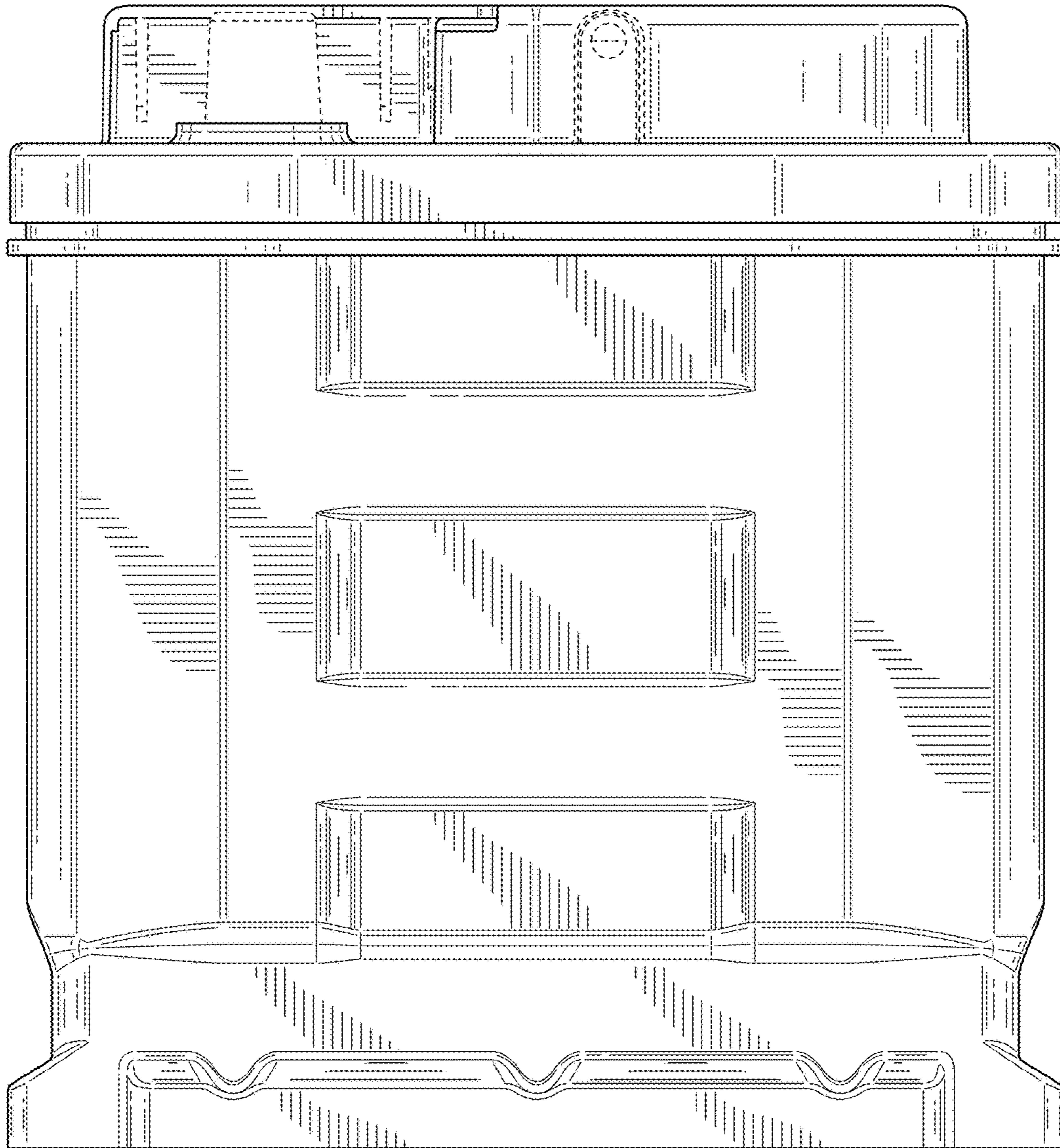


FIG. 4

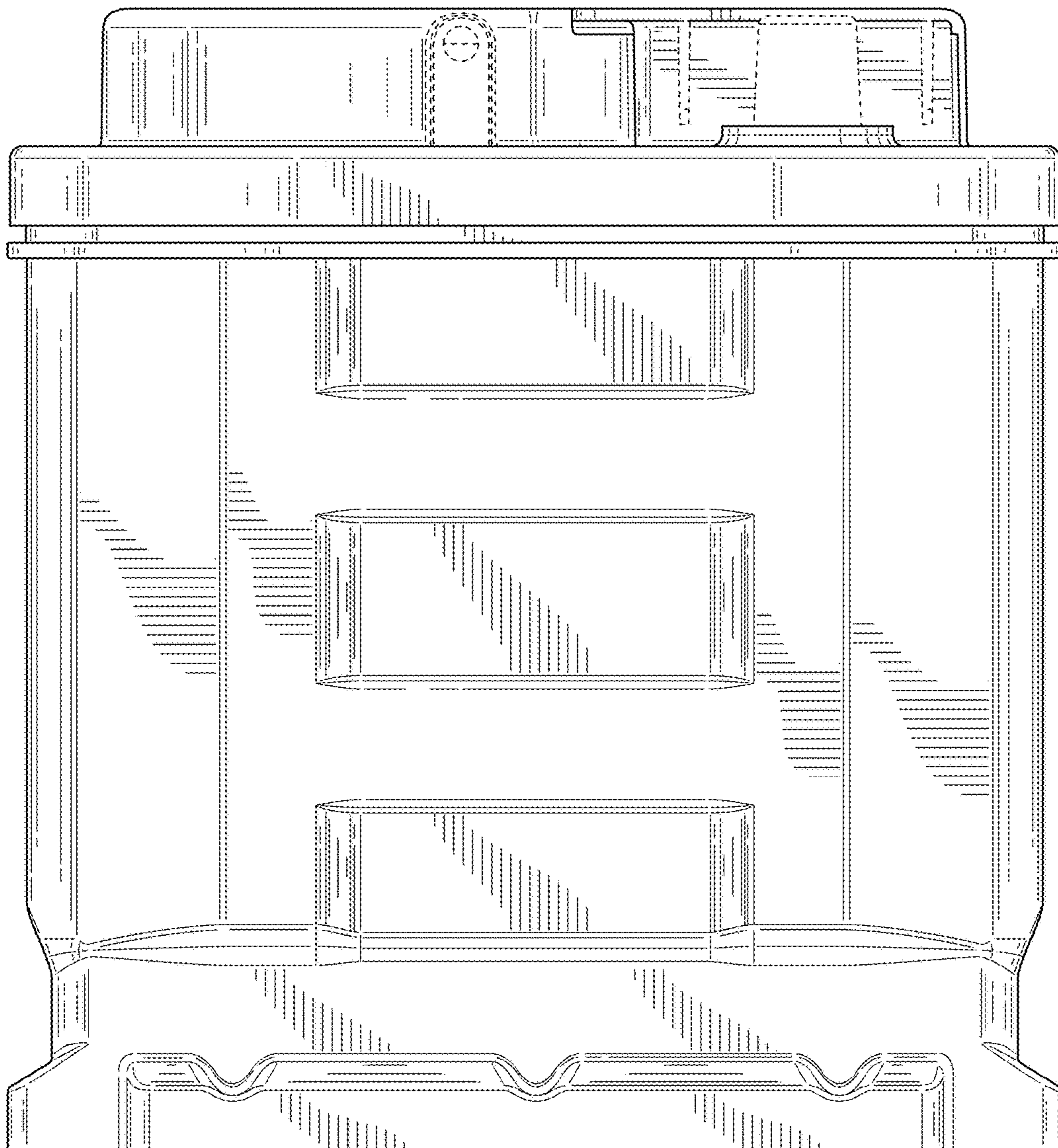


FIG. 5

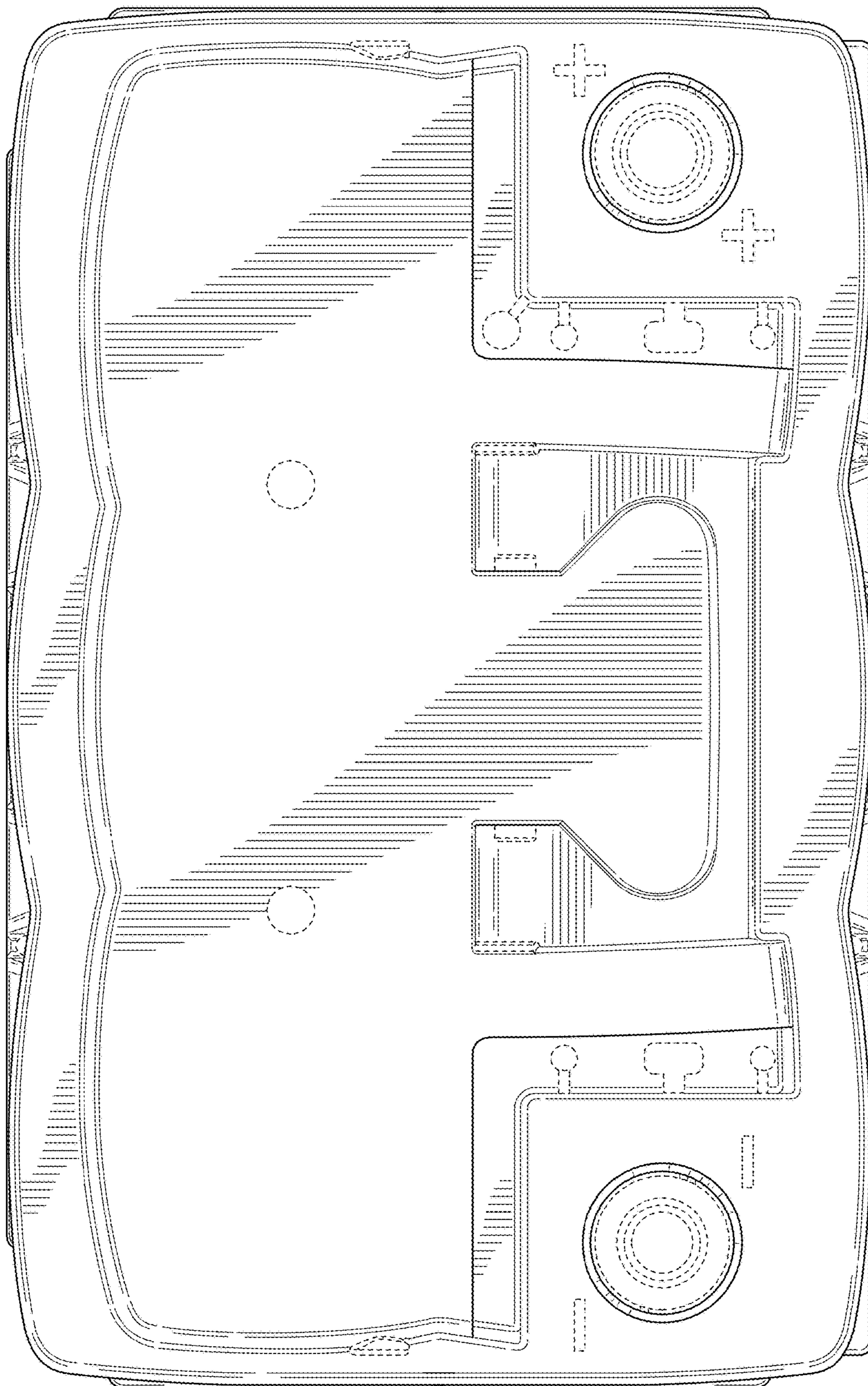


FIG. 6



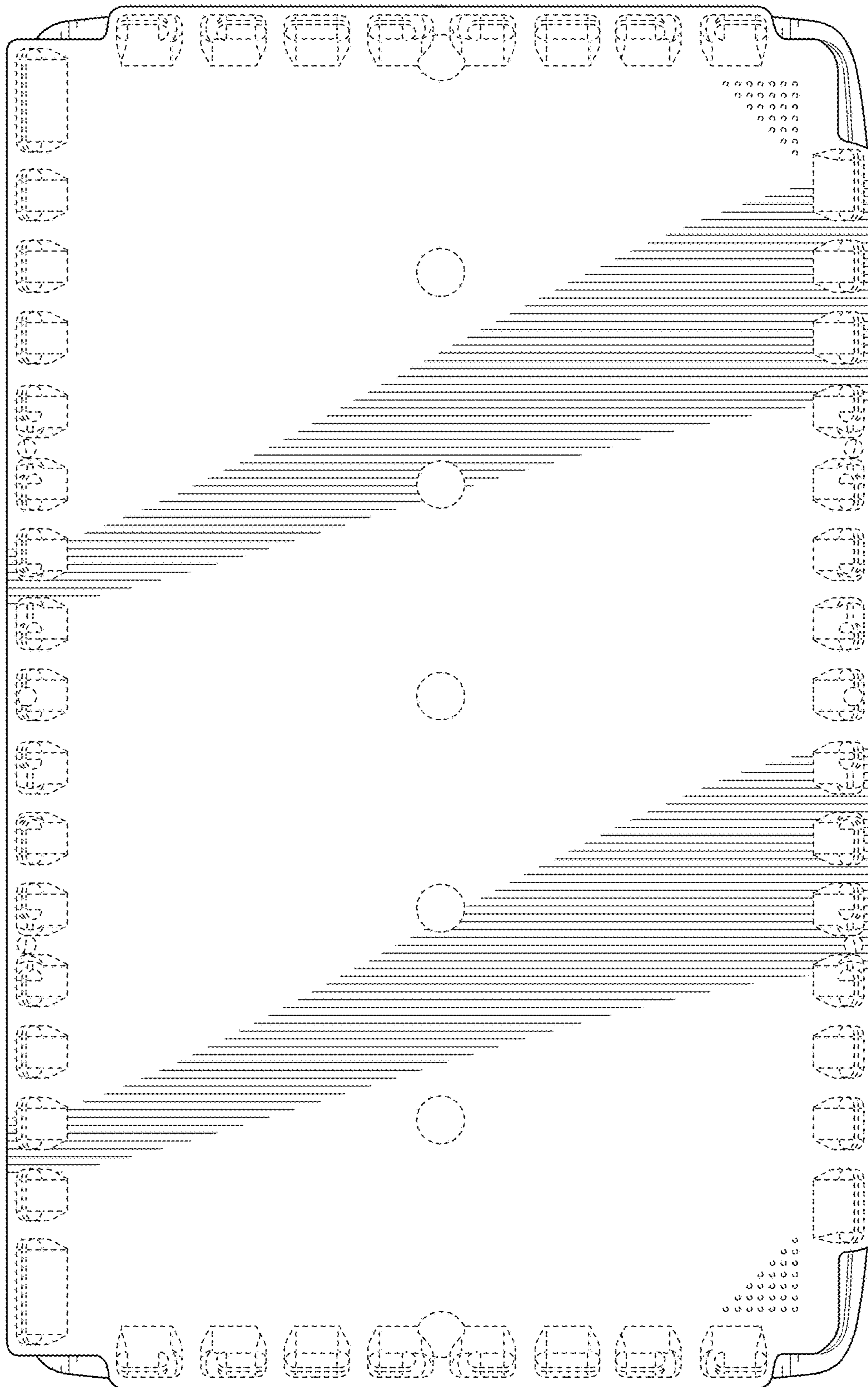


FIG. 7

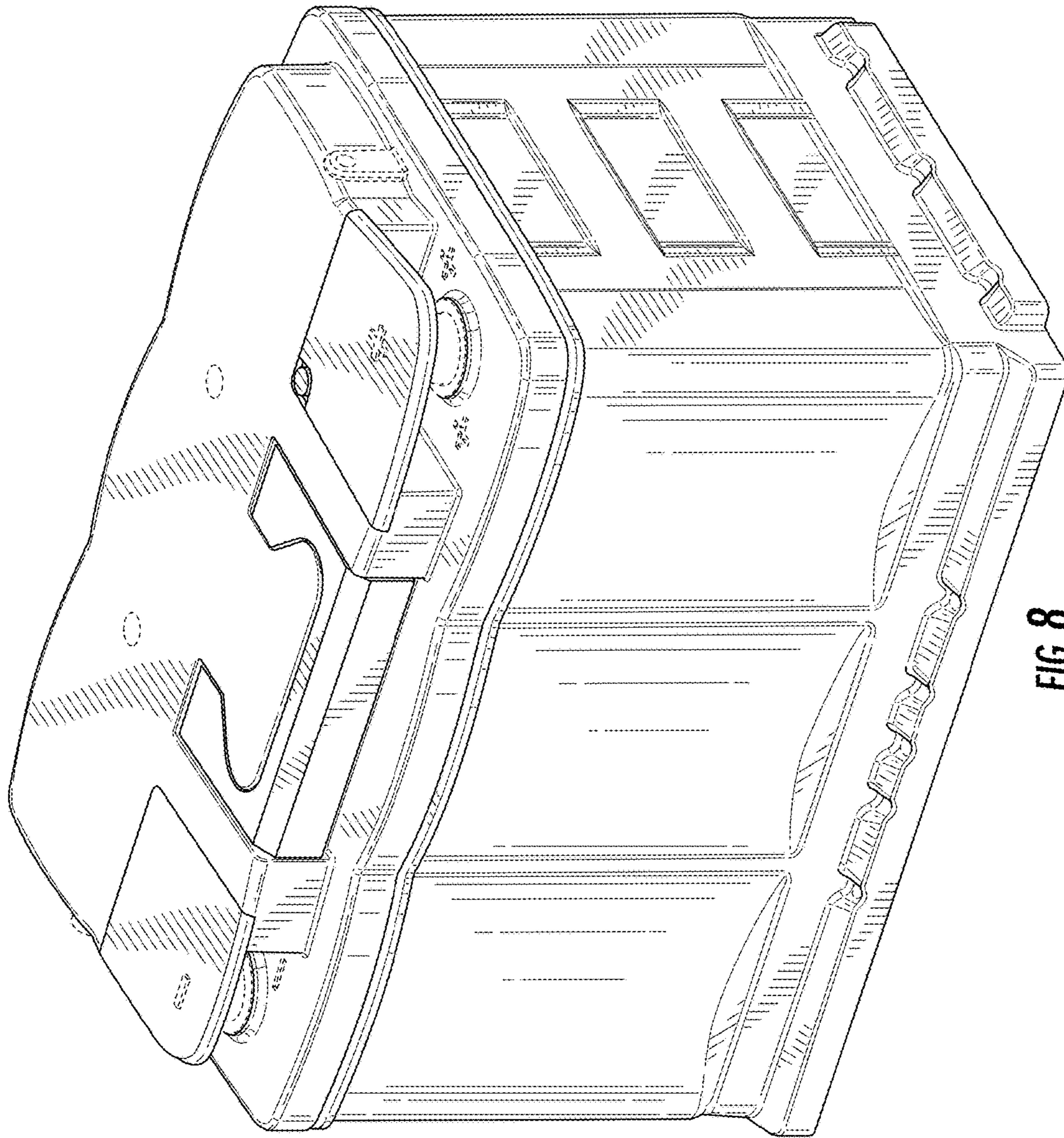


FIG. 8

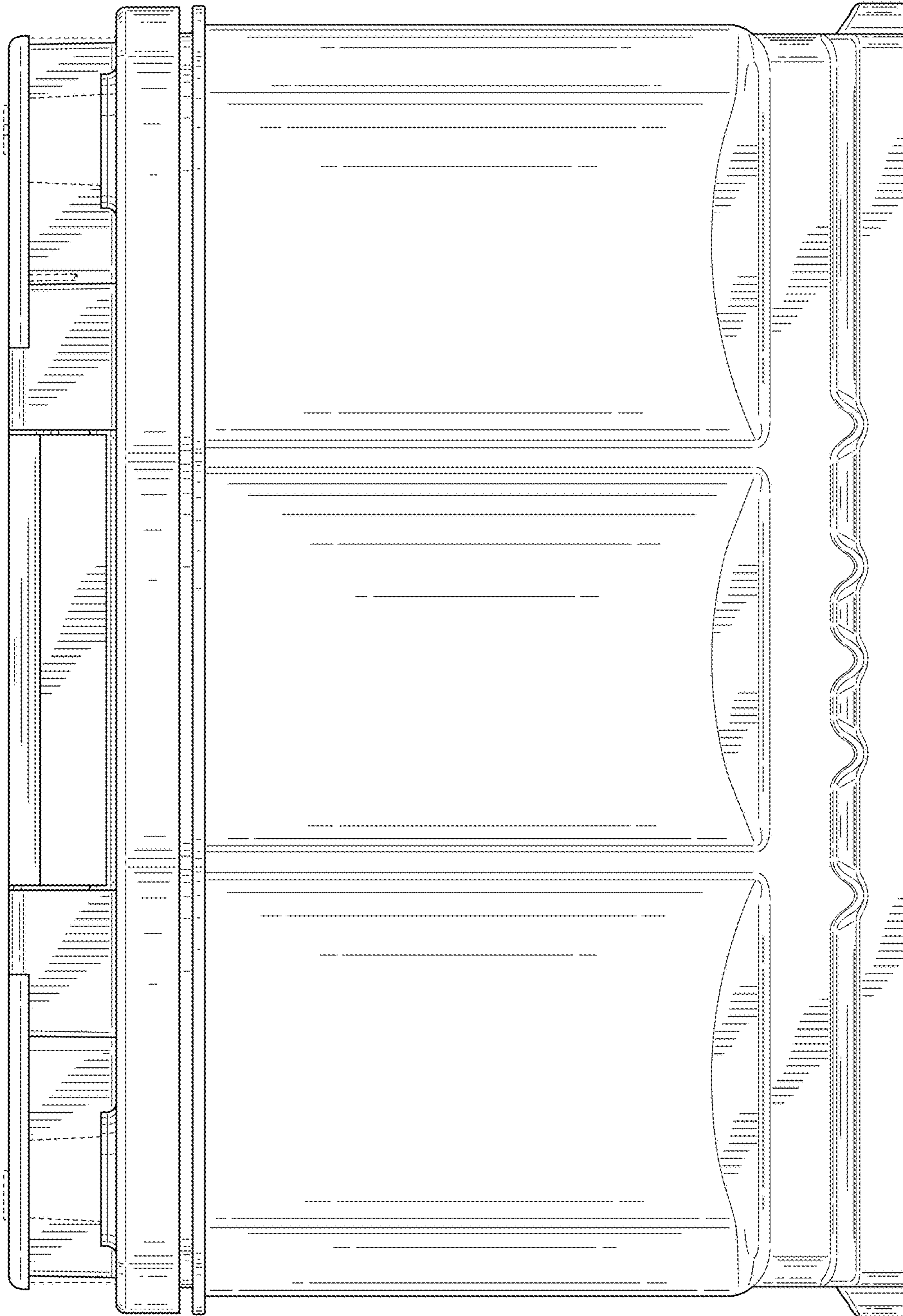


FIG. 9

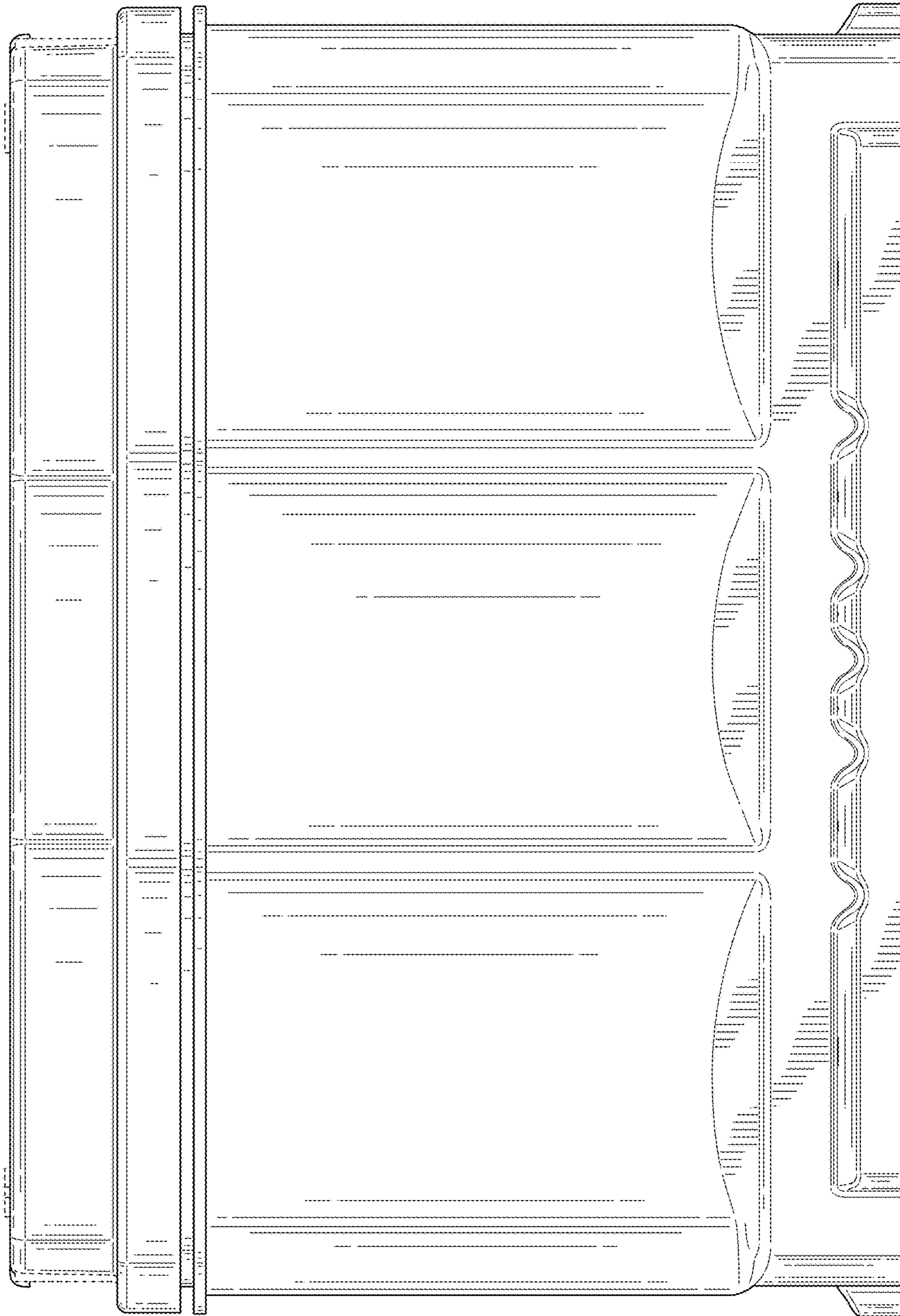
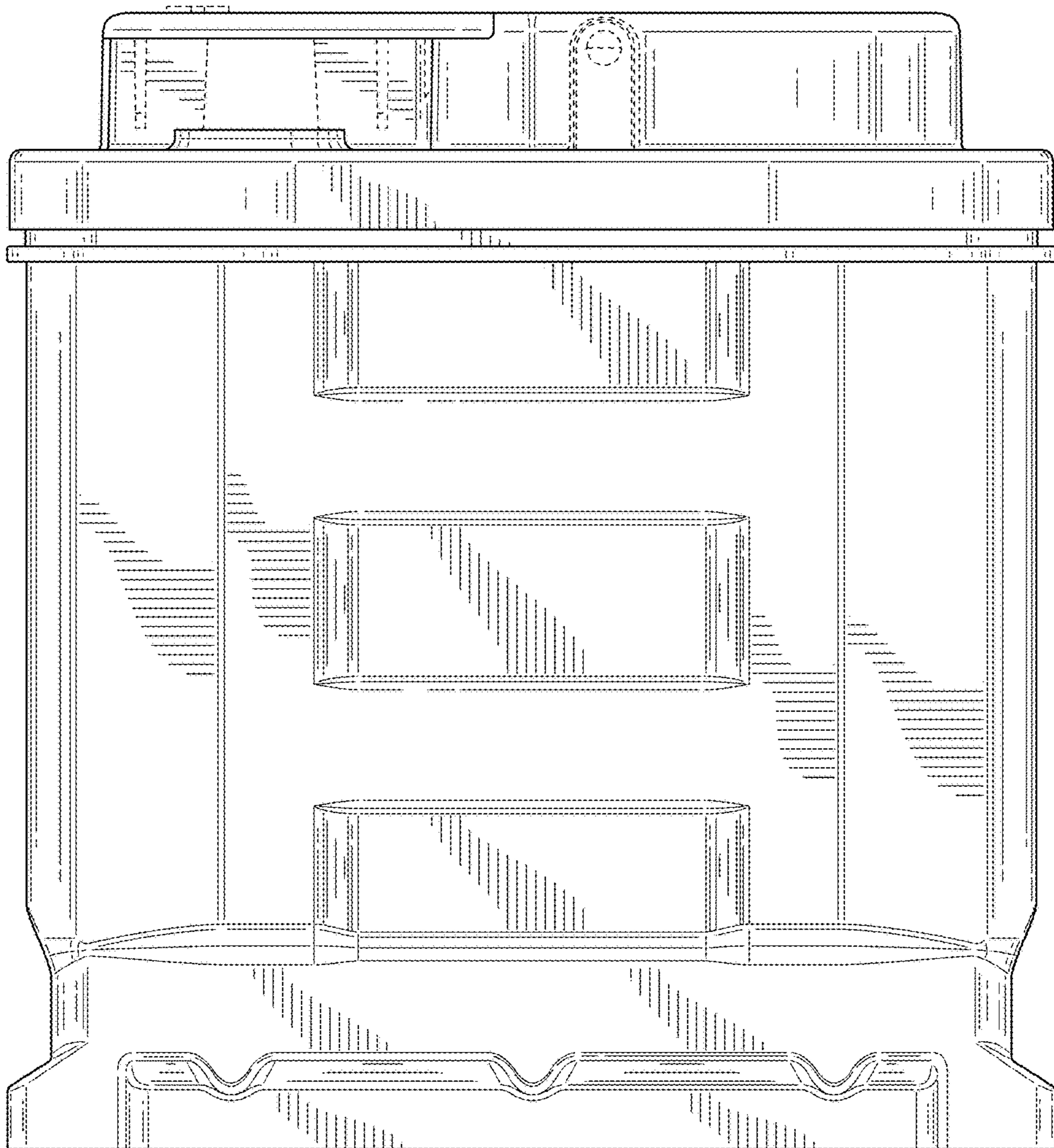


FIG. 10



**FIG. 11**

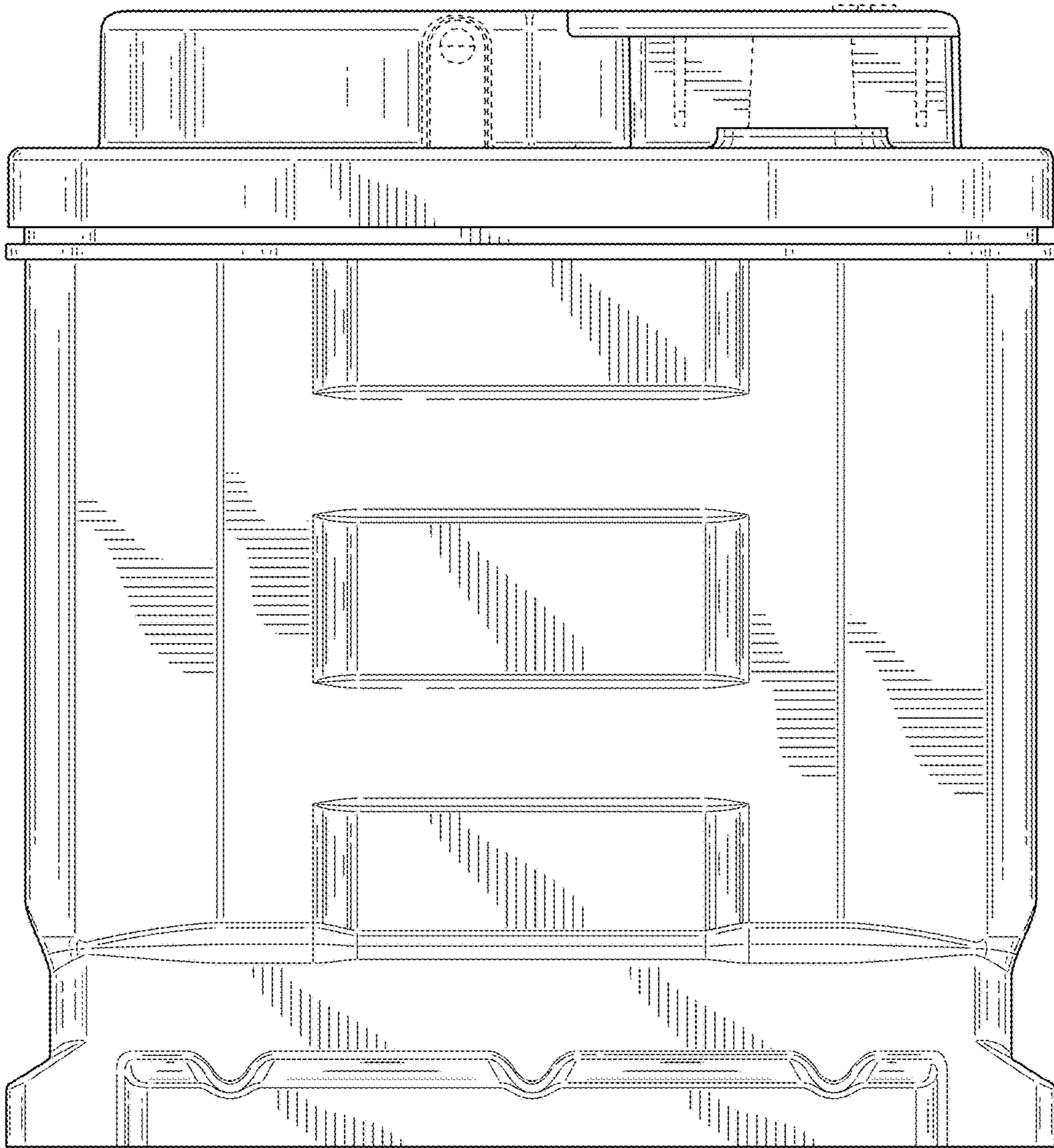


FIG. 12

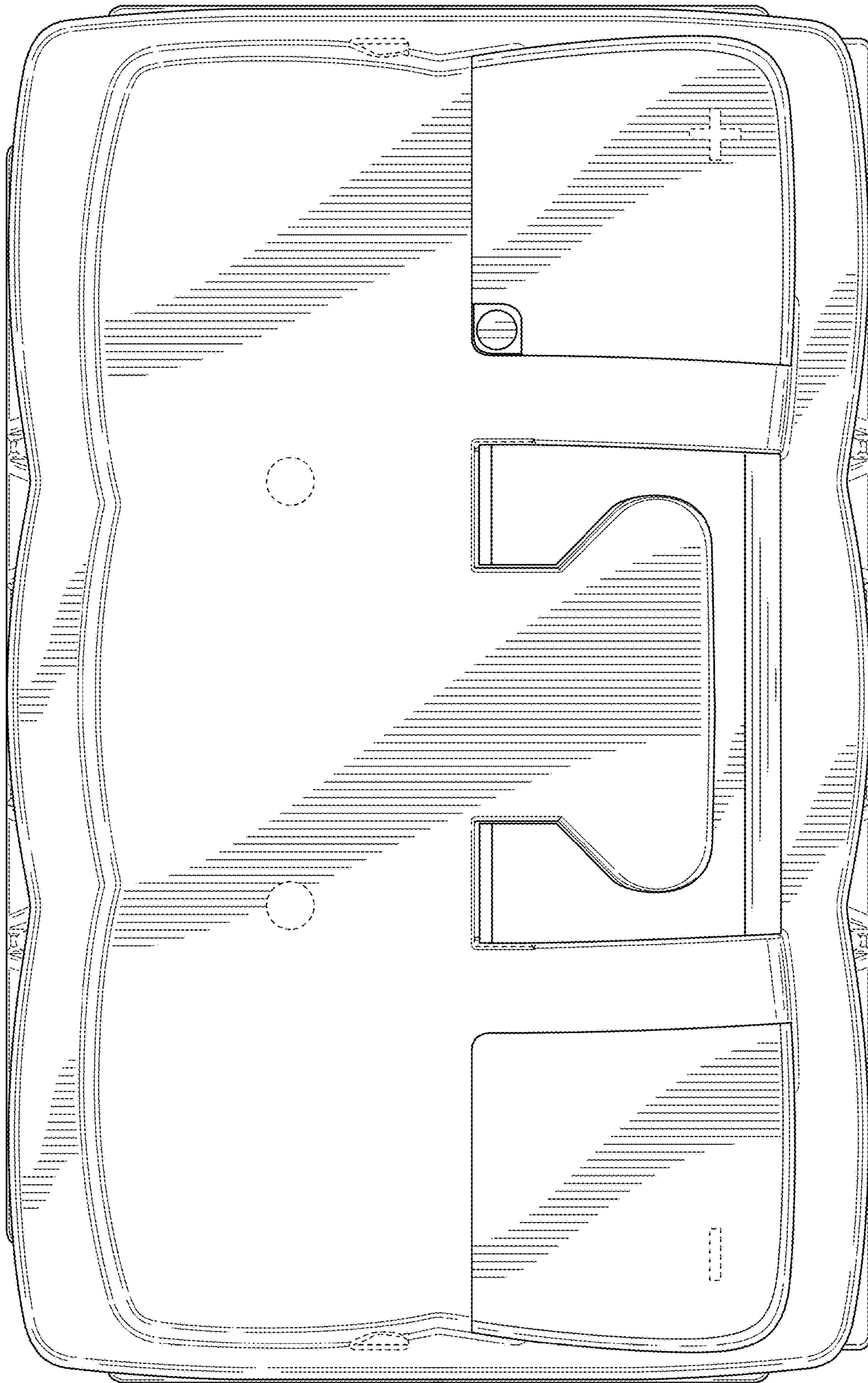


FIG. 13

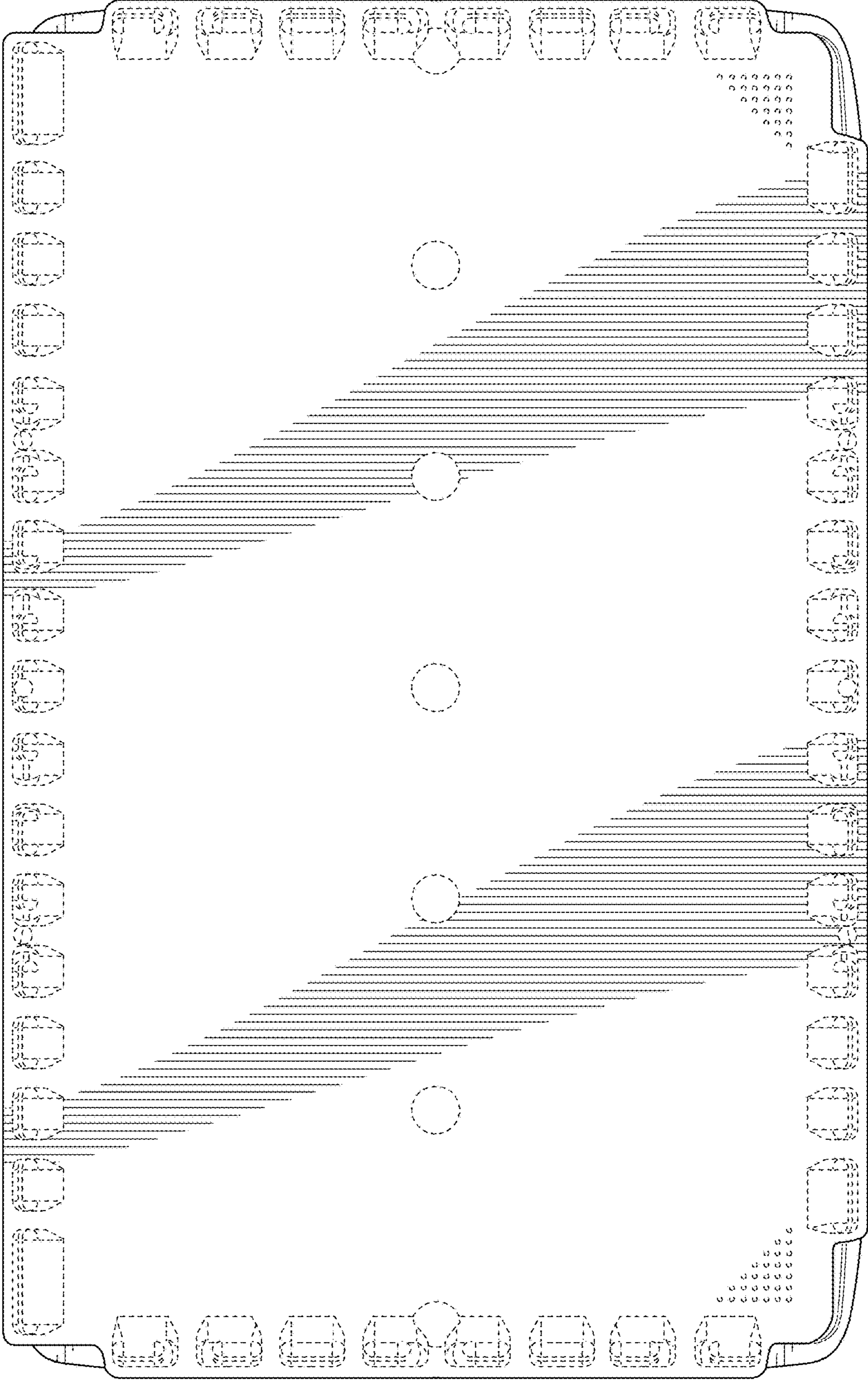


FIG. 14