



US00D830961S

(12) **United States Design Patent**
Doi et al.

(10) **Patent No.:** **US D830,961 S**

(45) **Date of Patent:** **** Oct. 16, 2018**

(54) **SOLAR BATTERY**

(71) Applicant: **Fujikura Ltd.**, Tokyo (JP)

(72) Inventors: **Yoshiharu Doi**, Sakura (JP); **Ryo Yamaguchi**, Sakura (JP); **Hiroyuki Kito**, Sakura (JP); **Yasuyuki Seki**, Sakura (JP); **Kenta Kaneeda**, Sakura (JP)

(73) Assignee: **FUJIKURA LTD.**, Tokyo (JP)

(**) Term: **15 Years**

(21) Appl. No.: **29/608,487**

(22) Filed: **Jun. 22, 2017**

(30) **Foreign Application Priority Data**

Dec. 27, 2016 (JP) 2016-028331

(51) **LOC (11) Cl.** **13-03**

(52) **U.S. Cl.**
USPC **D13/102**

(58) **Field of Classification Search**
USPC D13/102, 103, 104, 105, 106, 107, 108, D13/109, 118, 119, 120, 184, 199
CPC H01L 31/00; H01L 31/02; H01L 31/042; H01L 31/045; H01L 31/046; H01L 31/048; H01L 31/05; H01L 31/052; H01L 31/0525; H02S 30/00; H02S 20/10; H02S 20/23; H02S 20/30; H02S 40/34; H02S 40/44; F24J 2/52; F03G 6/00
See application file for complete search history.

(56) **References Cited**

U.S. PATENT DOCUMENTS

D630,163 S * 1/2011 Yeh D13/108
D630,577 S * 1/2011 Eubanks D13/102

D640,973 S * 7/2011 Katsaros D13/102
D652,376 S * 1/2012 Nomi D13/102
D659,087 S * 5/2012 Nomi D13/102
D664,529 S * 7/2012 Chuang D13/108
D676,374 S * 2/2013 Chu D13/102

* cited by examiner

Primary Examiner — Daniel Bui

(74) *Attorney, Agent, or Firm* — Westerman, Hattori, Daniels & Adrian, LLP

(57) **CLAIM**

The ornamental design for a solar battery, as shown and described.

DESCRIPTION

FIG. 1 is a front, left and top perspective view of a solar battery showing our new design;
FIG. 2 is a rear, right and top perspective view thereof;
FIG. 3 is a rear, right and bottom perspective view thereof;
FIG. 4 is a front elevation view thereof;
FIG. 5 is a rear elevation thereof;
FIG. 6 is a left side elevation view thereof;
FIG. 7 is a right side elevation view thereof;
FIG. 8 is a top plan view thereof;
FIG. 9 is a bottom plan view thereof; and,
FIG. 10 is a front, left and top perspective view thereof, in use condition.

The broken line shown in the drawing views represents unclaimed environmental only and forms no part of the claimed design.

1 Claim, 10 Drawing Sheets

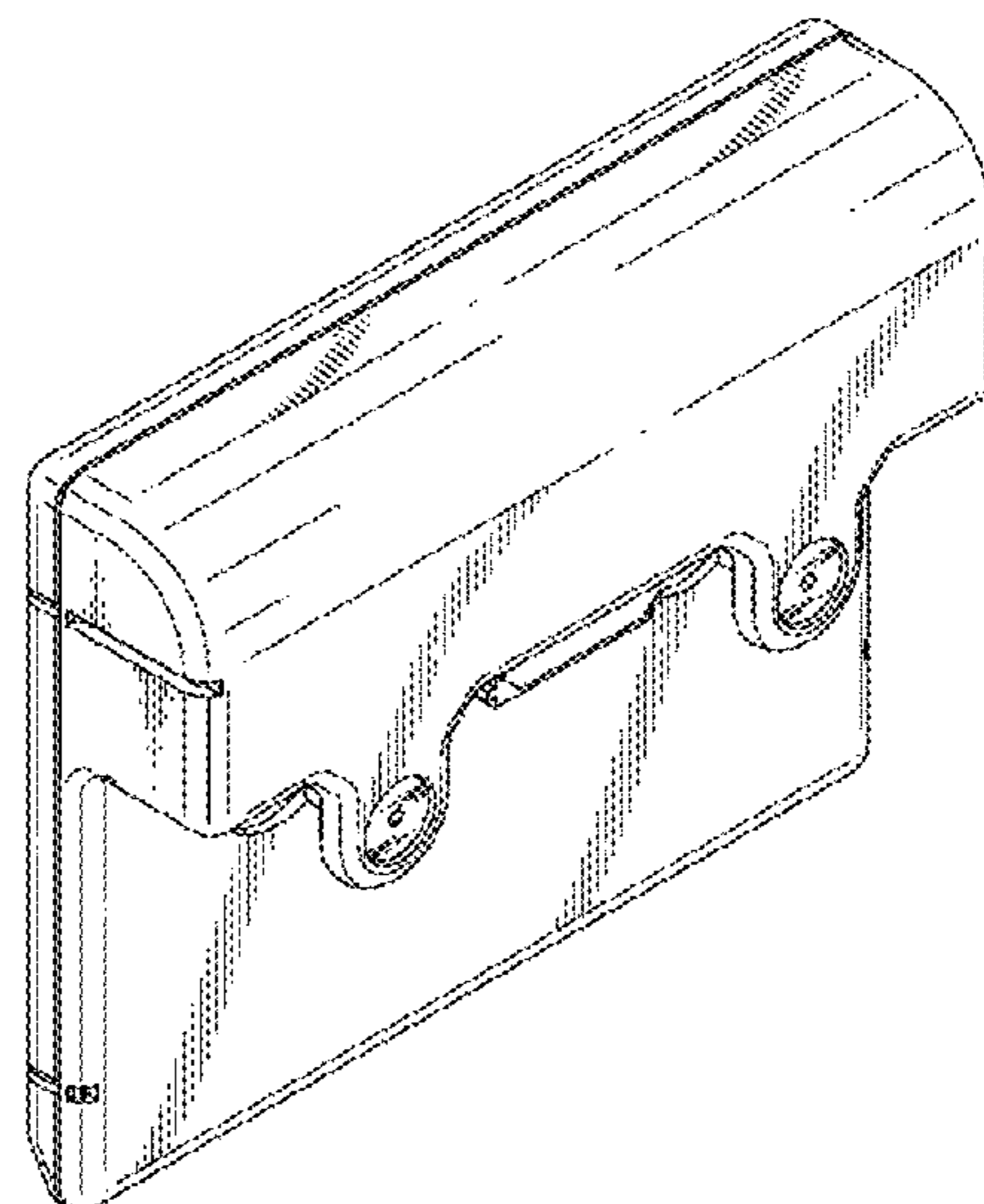
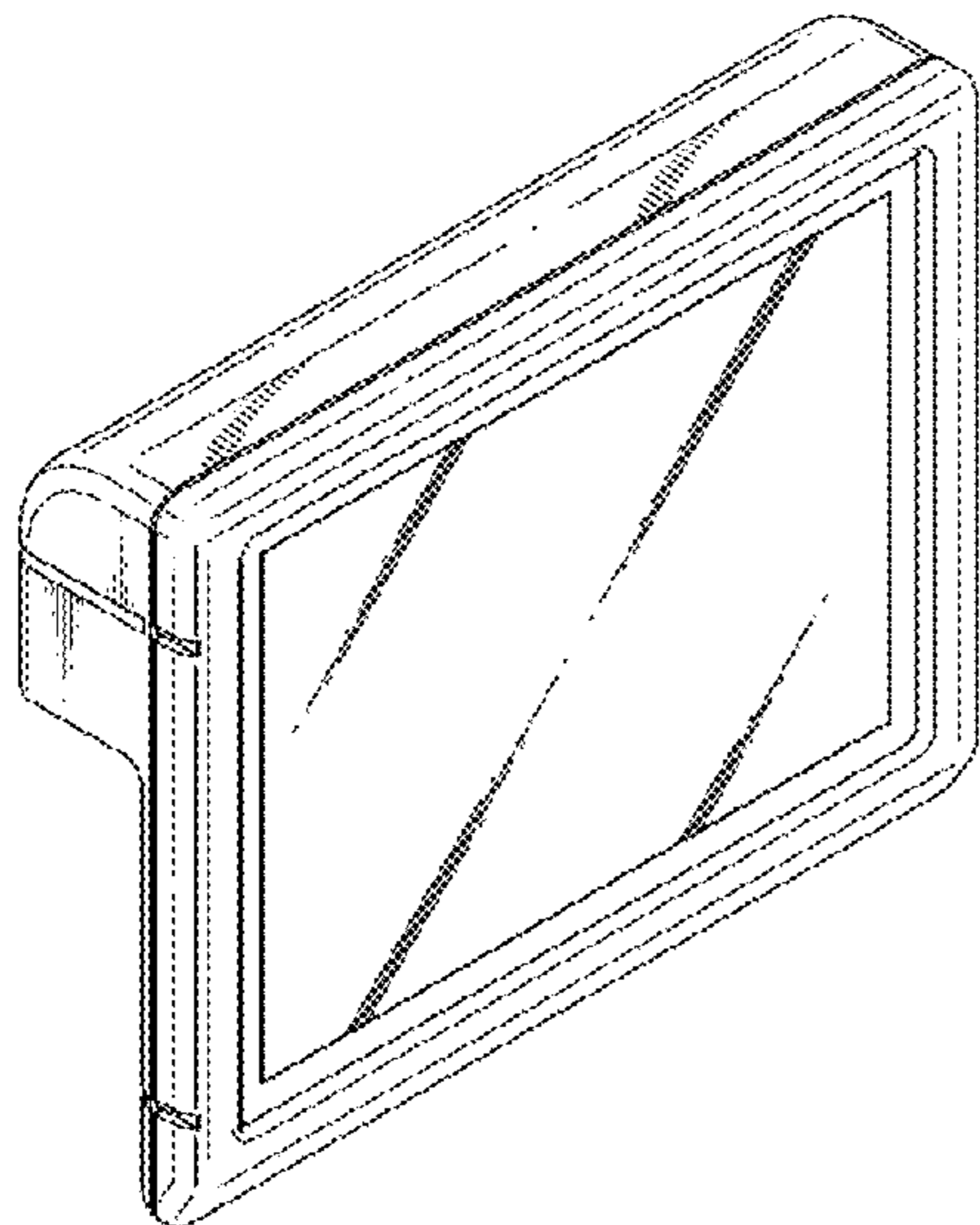


FIG. 1

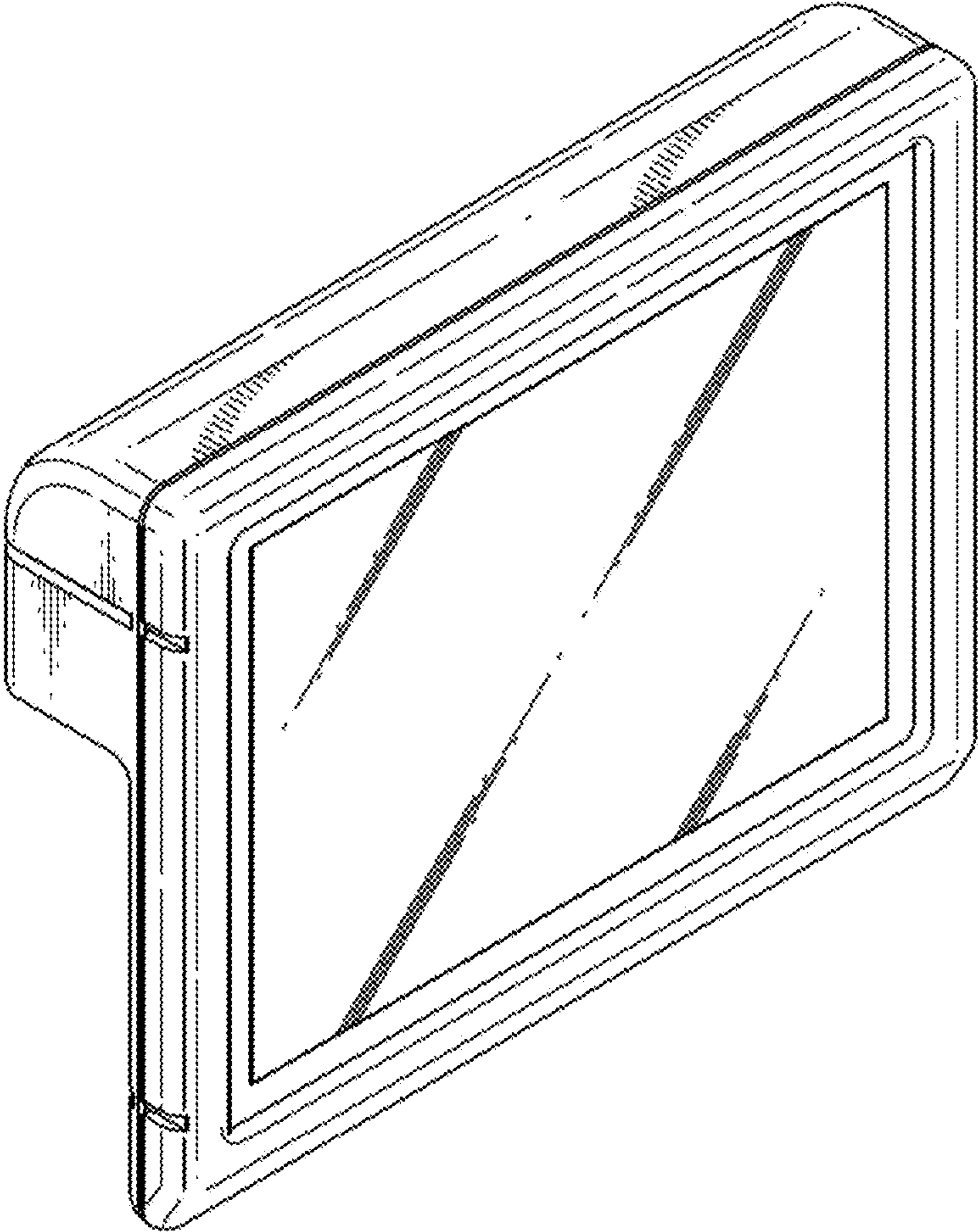


FIG. 2

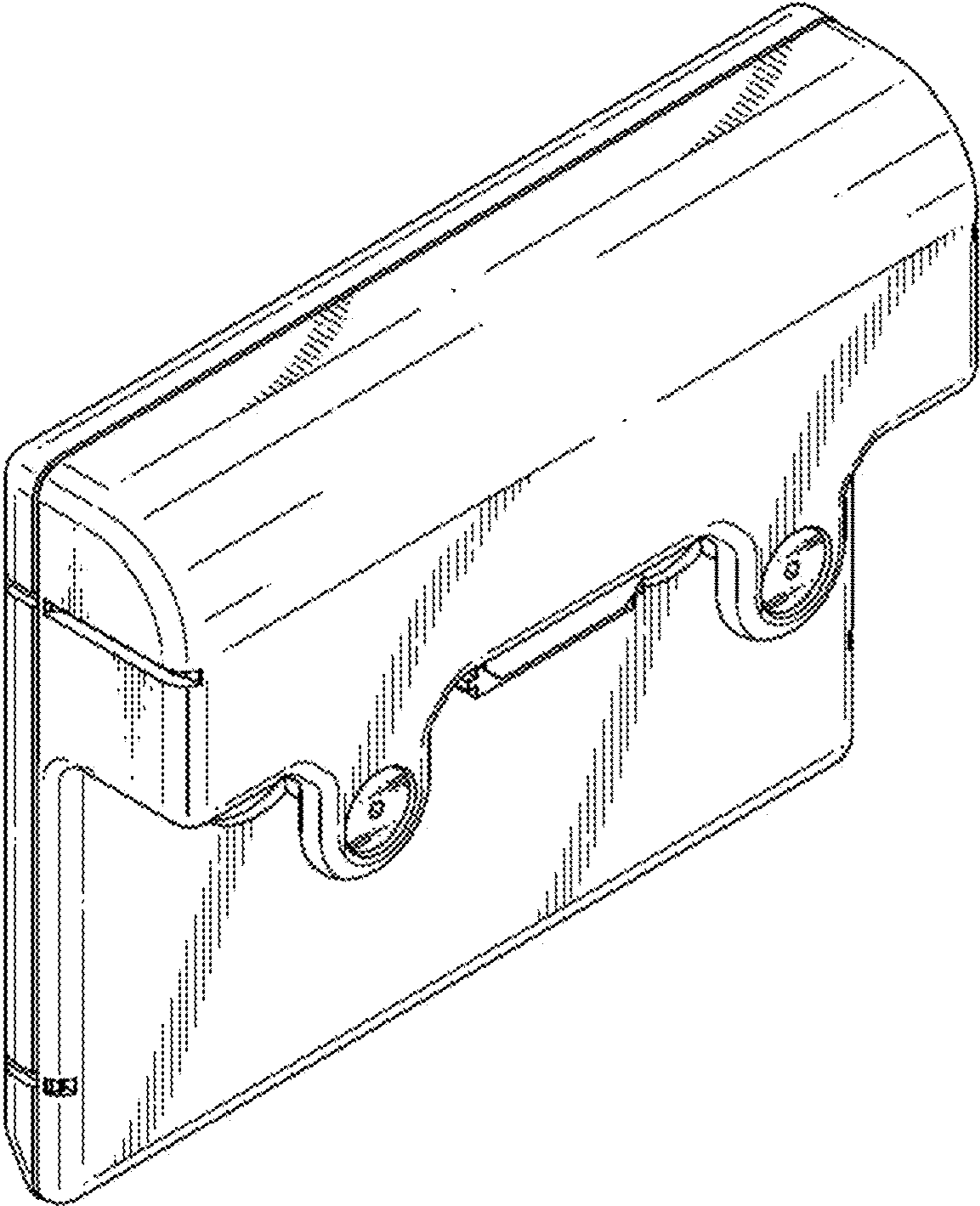


FIG. 3

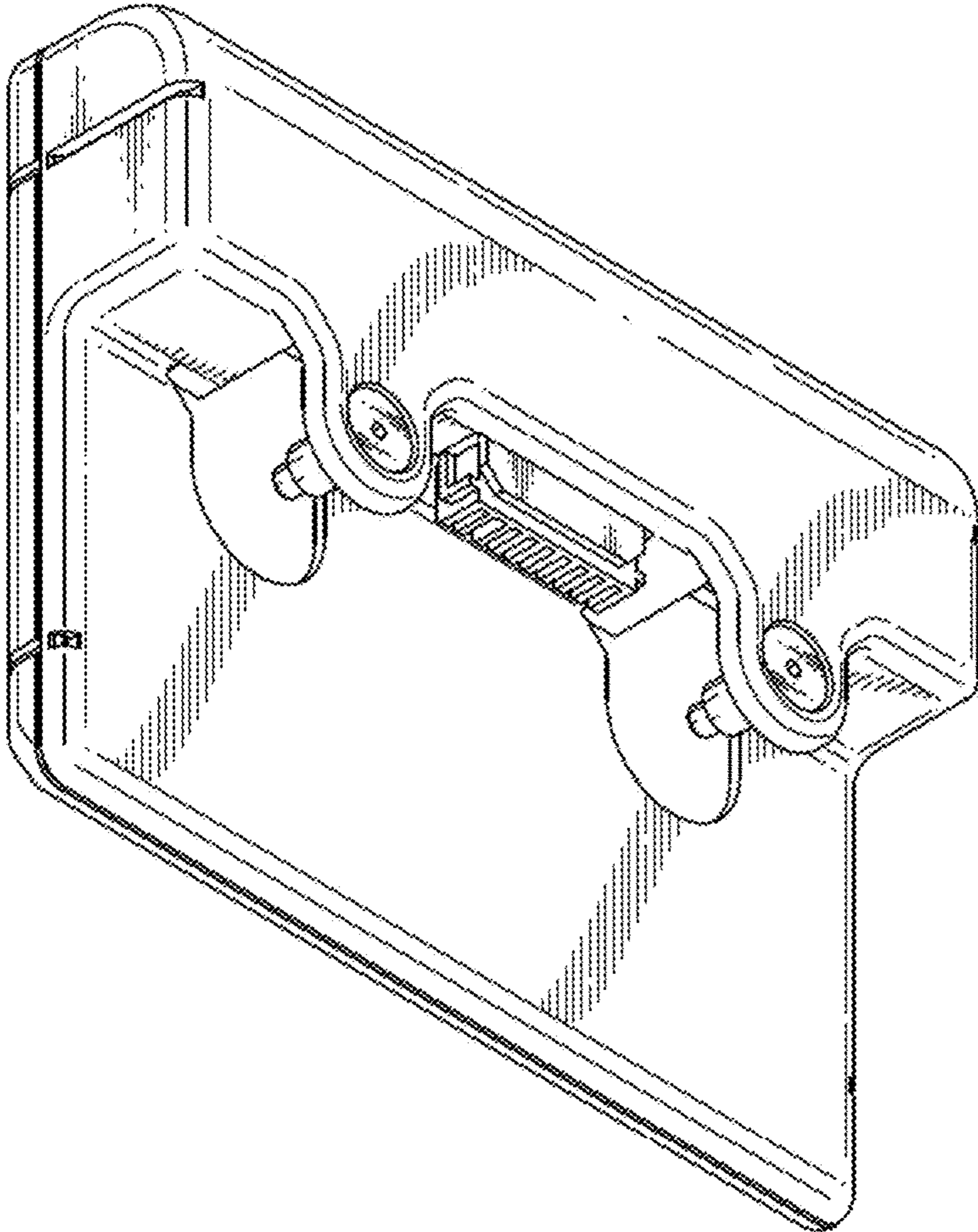


FIG. 4

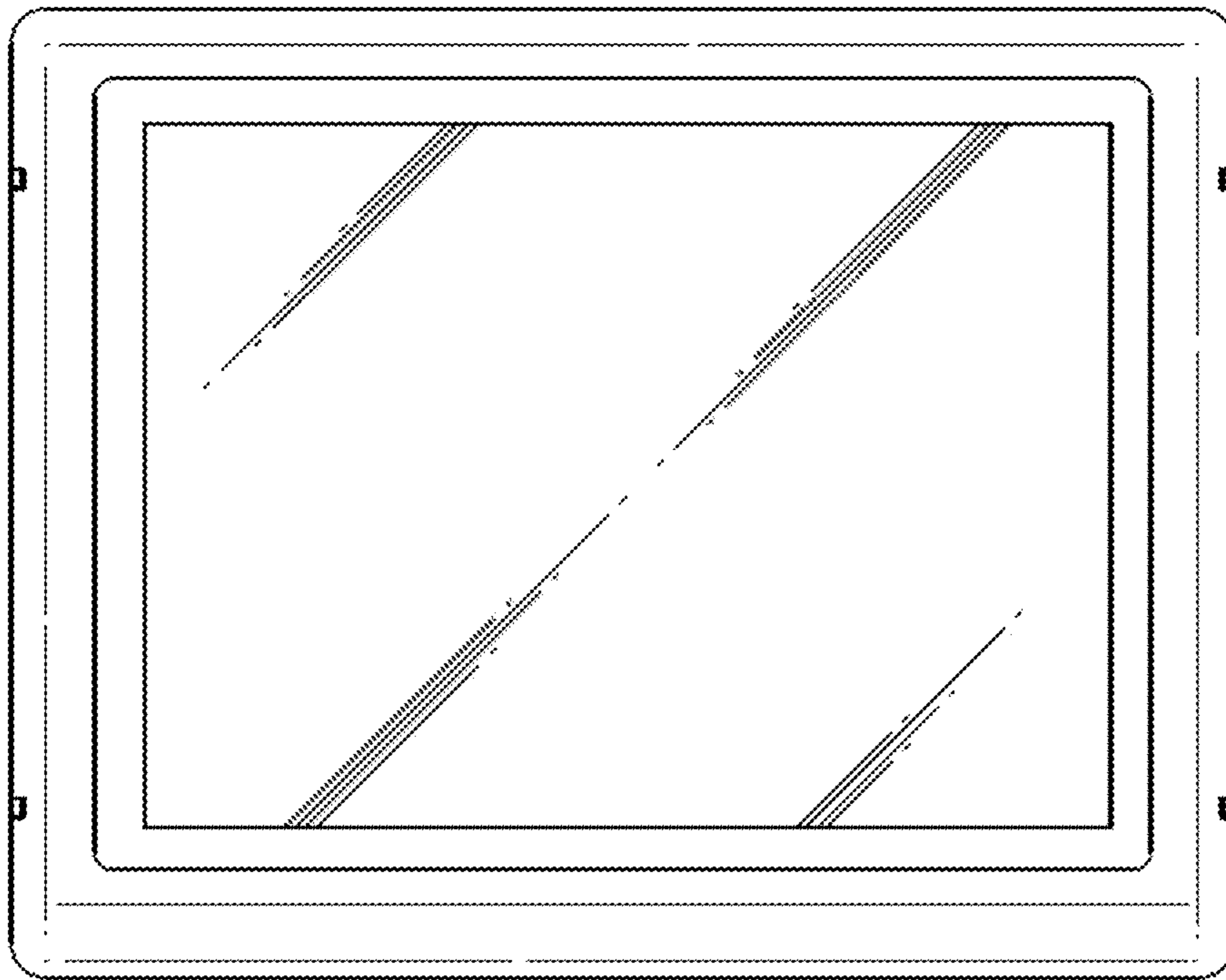


FIG. 5

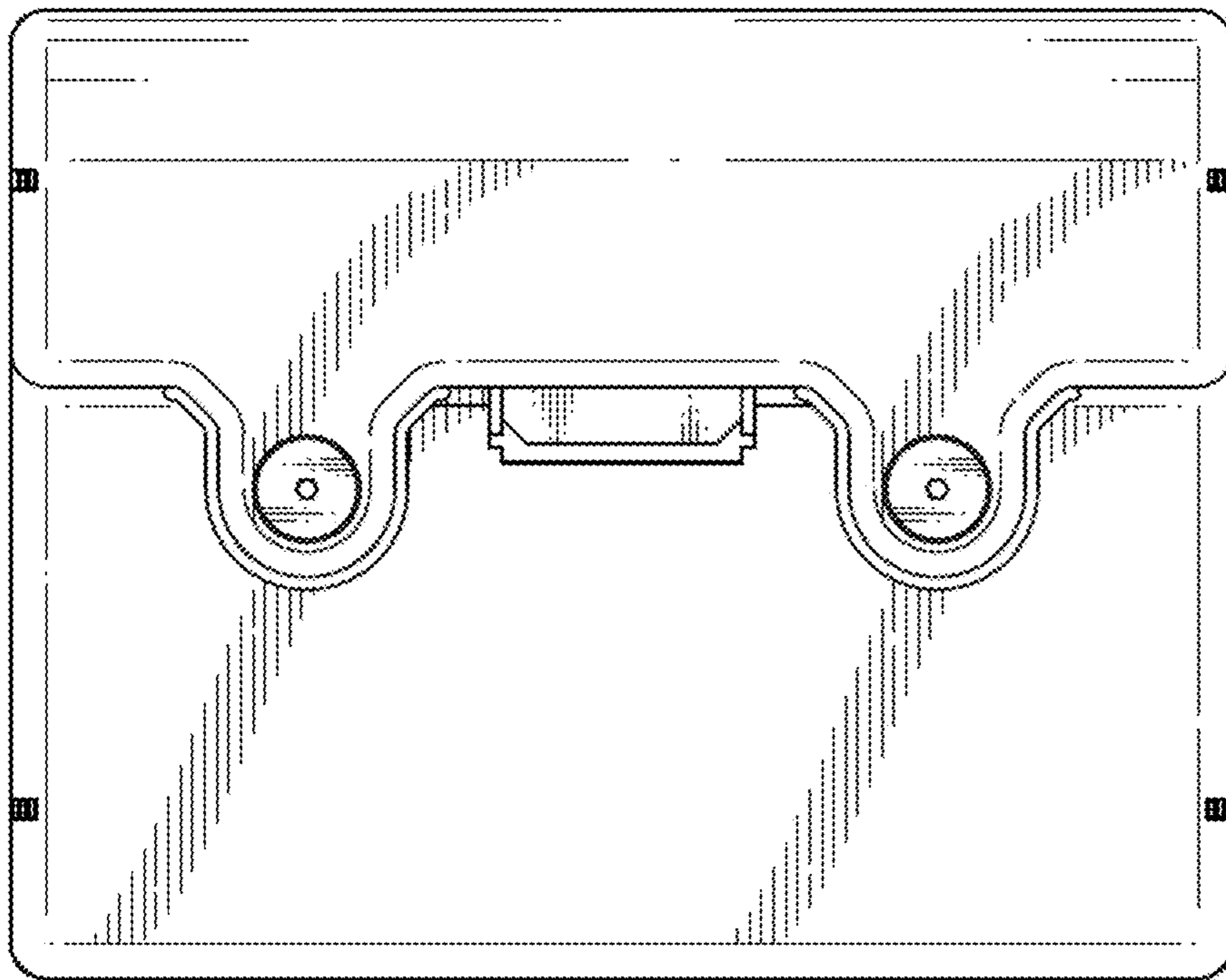


FIG. 6

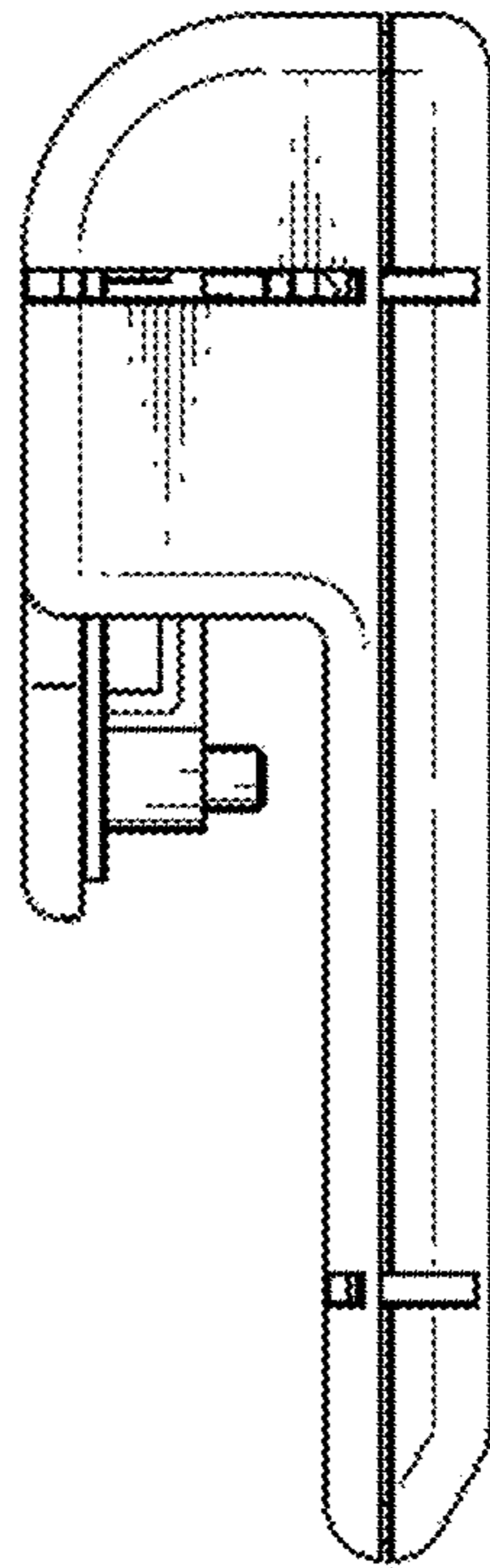


FIG. 7

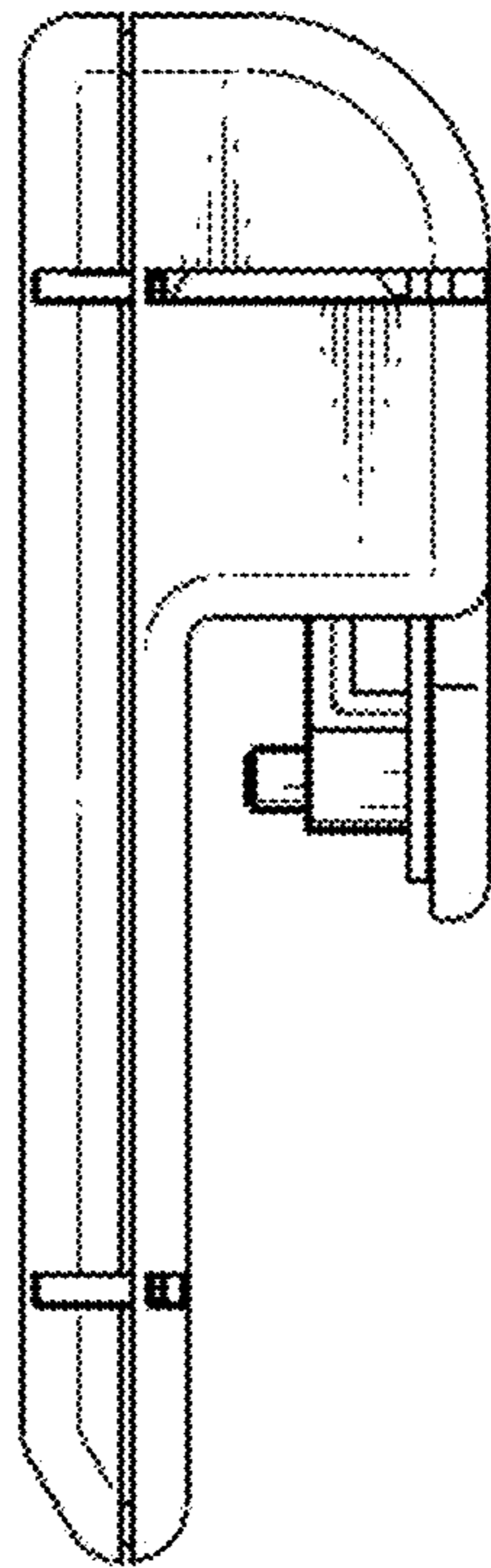


FIG. 8

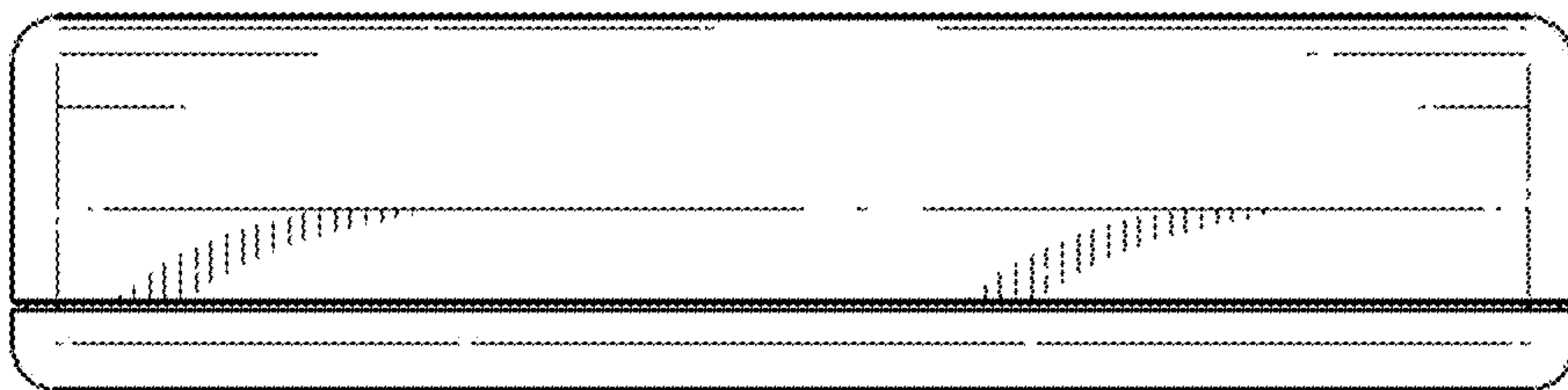


FIG. 9

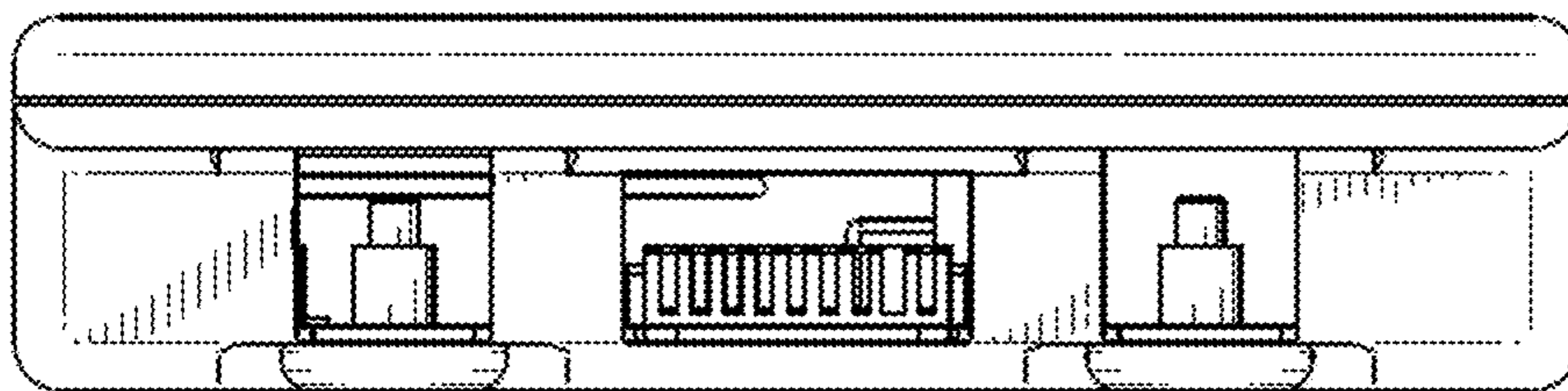


FIG. 10

