



US00D830951S

(12) **United States Design Patent**
Karasawa

(10) **Patent No.:** **US D830,951 S**
(45) **Date of Patent:** **** Oct. 16, 2018**

(54) **CENTER CONSOLE FOR AUTOMOBILE**

FOREIGN PATENT DOCUMENTS

(71) Applicant: **Nissan Motor Co., Ltd.**, Yokohama,
Kanagawa (JP)

JP D1308921 S 9/2007
JP D1532164 S 8/2017
JP D1574036 S 10/2017

(72) Inventor: **Takuga Karasawa**, Kanagawa (JP)

* cited by examiner

(73) Assignee: **Nissan Motor Co., Ltd.**, Yokohama
(JP)

Primary Examiner — Katrina A Betton

(**) Term: **15 Years**

(57) **CLAIM**

(21) Appl. No.: **29/607,023**

The ornamental design for a center console for an automob-
ile, as shown and described.

(22) Filed: **Jun. 9, 2017**

(51) **LOC (11) Cl.** **12-16**

(52) **U.S. Cl.**
USPC **D12/419**

DESCRIPTION

(58) **Field of Classification Search**
USPC D7/701, 619.1-625; D21/421
CPC B60N 2/46
See application file for complete search history.

FIG. 1 is a front elevational view of a center console for an automobile in accordance with our new design; FIG. 2 is a rear elevational view thereof; FIG. 3 is a top plan view thereof; FIG. 4 is a bottom plan view thereof; FIG. 5 is a left side elevational view thereof; FIG. 6 is a right side elevational view thereof; FIG. 7 is a first perspective view thereof; and, FIG. 8 is a second perspective view thereof.

(56) **References Cited**

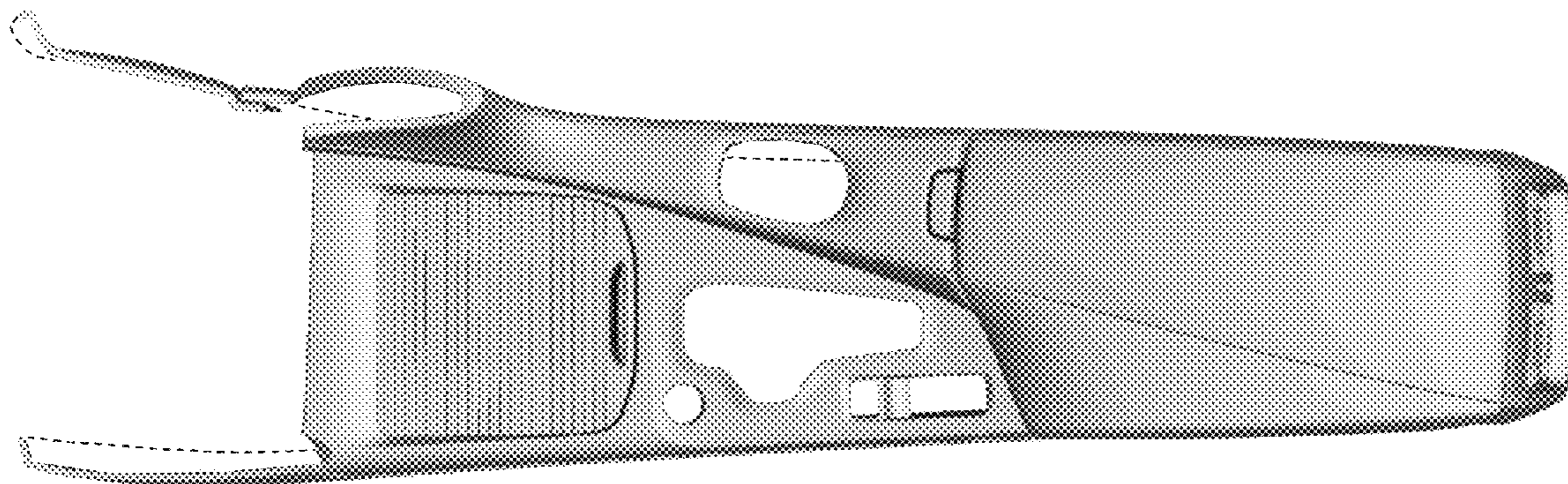
U.S. PATENT DOCUMENTS

D522,957 S *	6/2006	Miyashita	D12/415
D568,232 S *	5/2008	Motozaki	D12/421
D718,218 S *	11/2014	Tanaka	D12/424
D724,521 S *	3/2015	Ashley	D12/419
D725,583 S *	3/2015	Seki	D12/419
D766,811 S *	9/2016	Shouno	D12/419
D766,812 S *	9/2016	Kabata	D12/423
D770,968 S *	11/2016	Willis	D12/415
D781,210 S *	3/2017	Itou	D12/419
D808,330 S *	1/2018	Kuwahara	D12/419

The center console is configured to be mounted to an automobile. The inside surfaces of the center console, shown in broken lines in FIGS. 1 to 5, 7 and 8, form no part of the claimed design since the inside surfaces are hidden when the center console is mounted to the automobile.

The second embodiment is a mirror image of the first embodiment as shown in FIGS. 1-8.

1 Claim, 8 Drawing Sheets



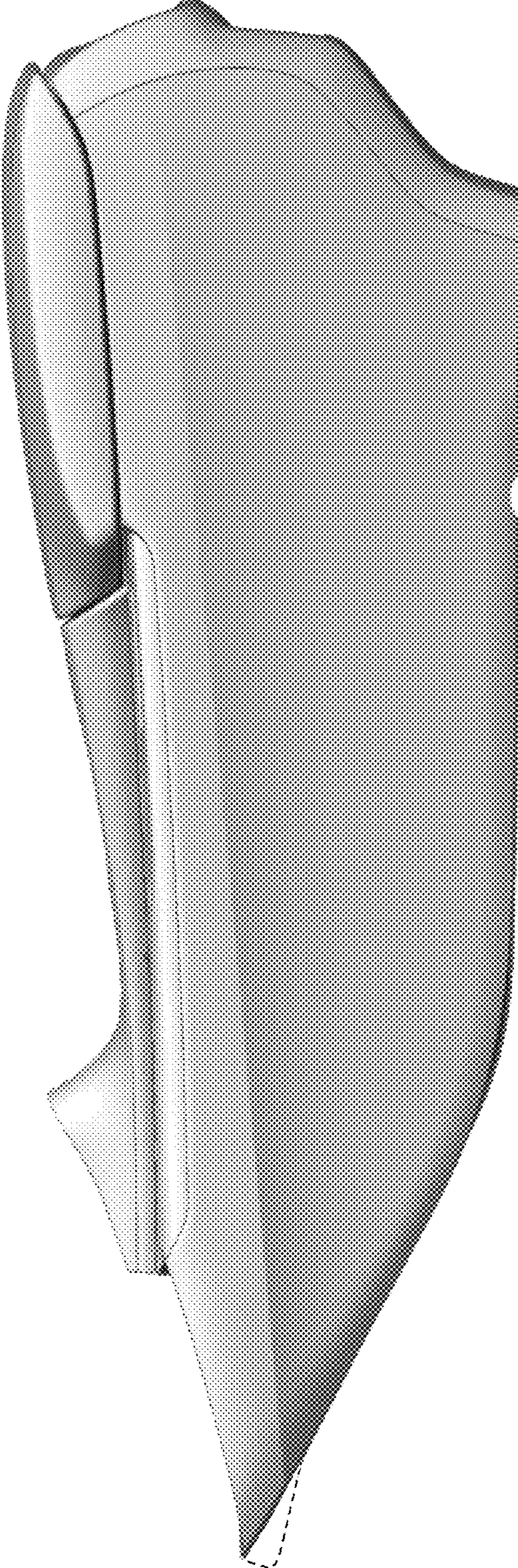


FIG. 1

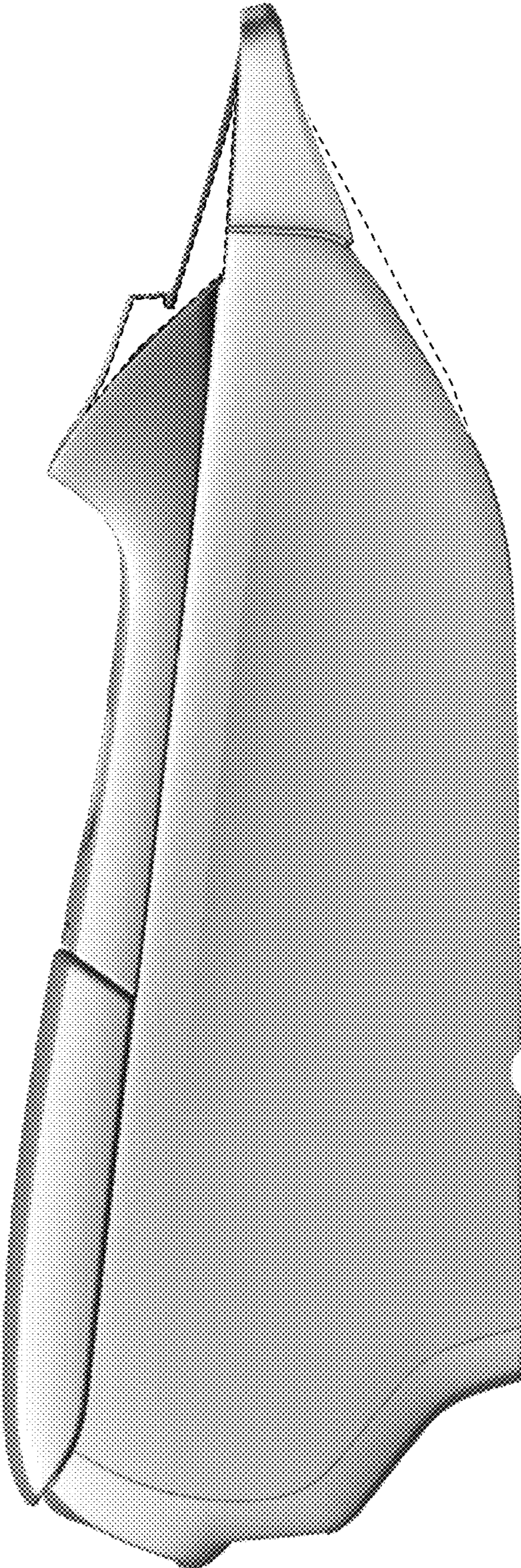


FIG. 2

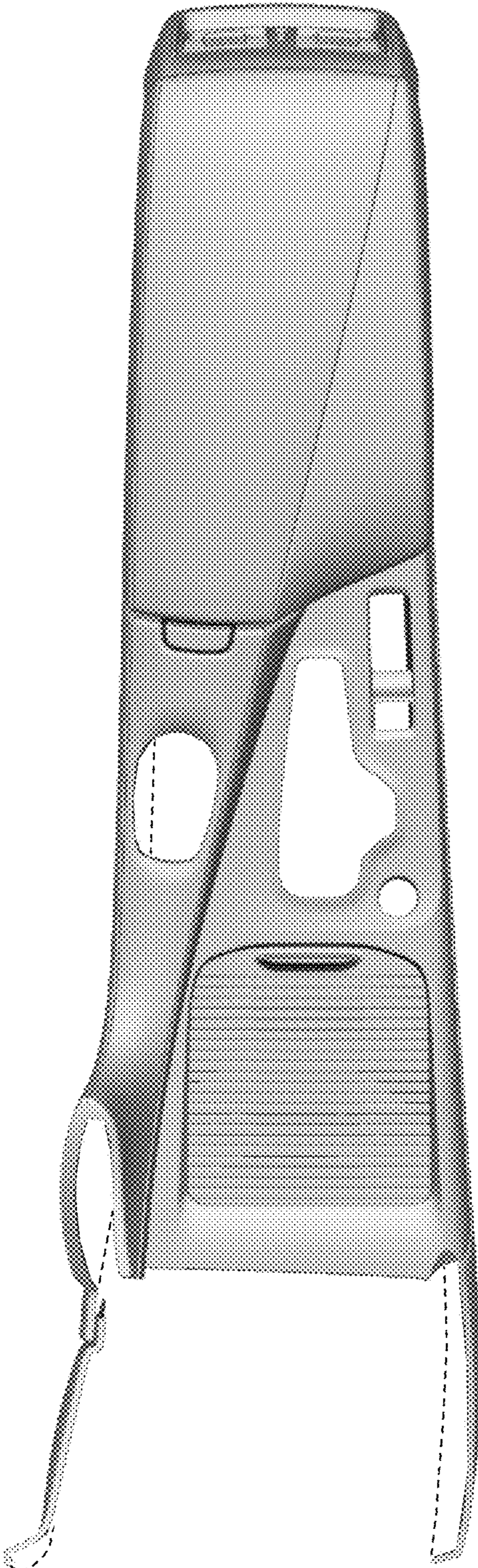


FIG. 3

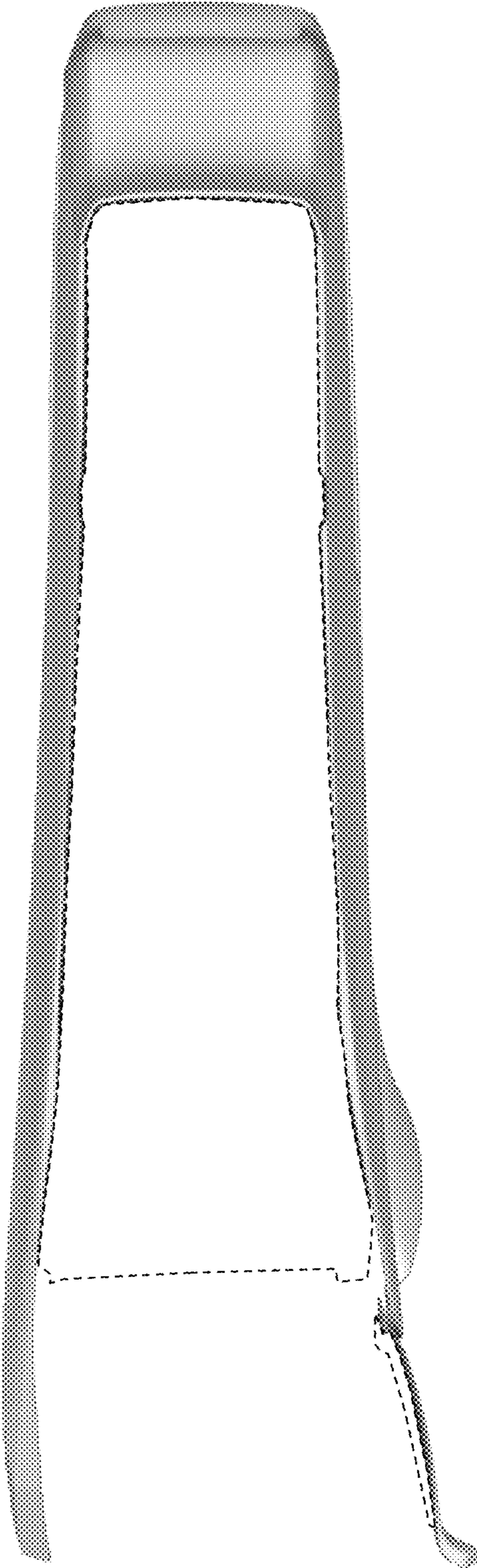


FIG. 4

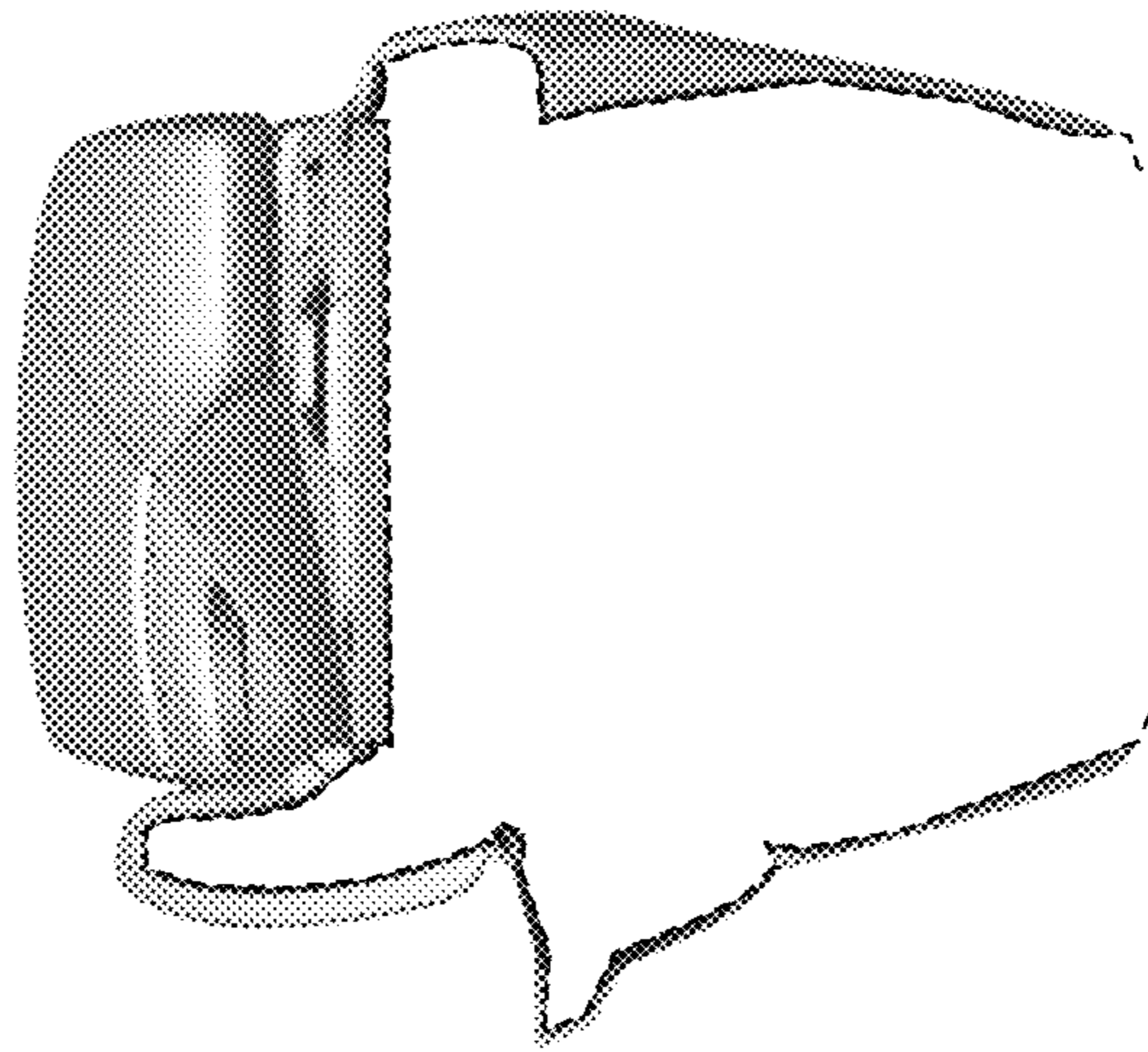


FIG. 5

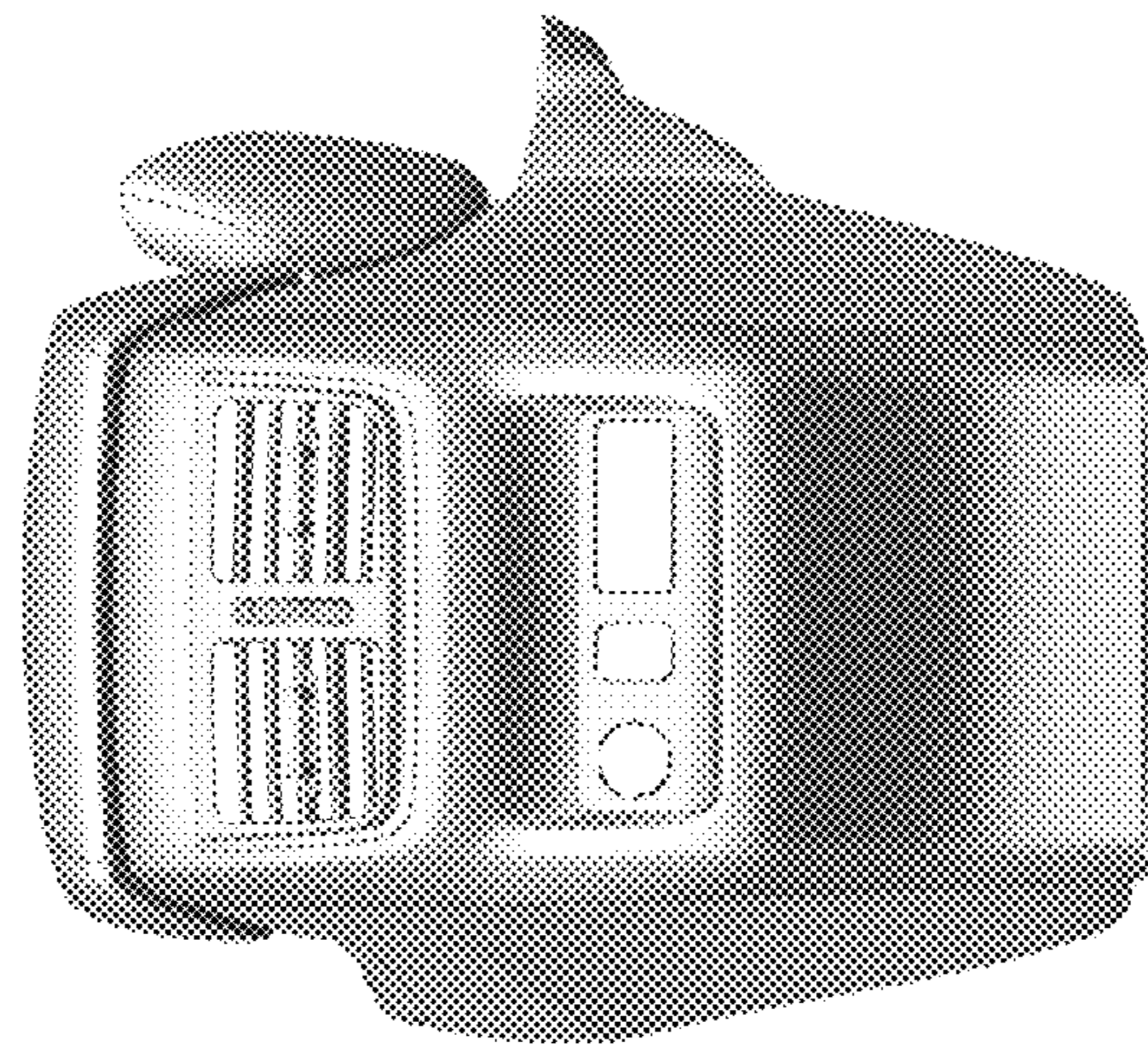


FIG. 6

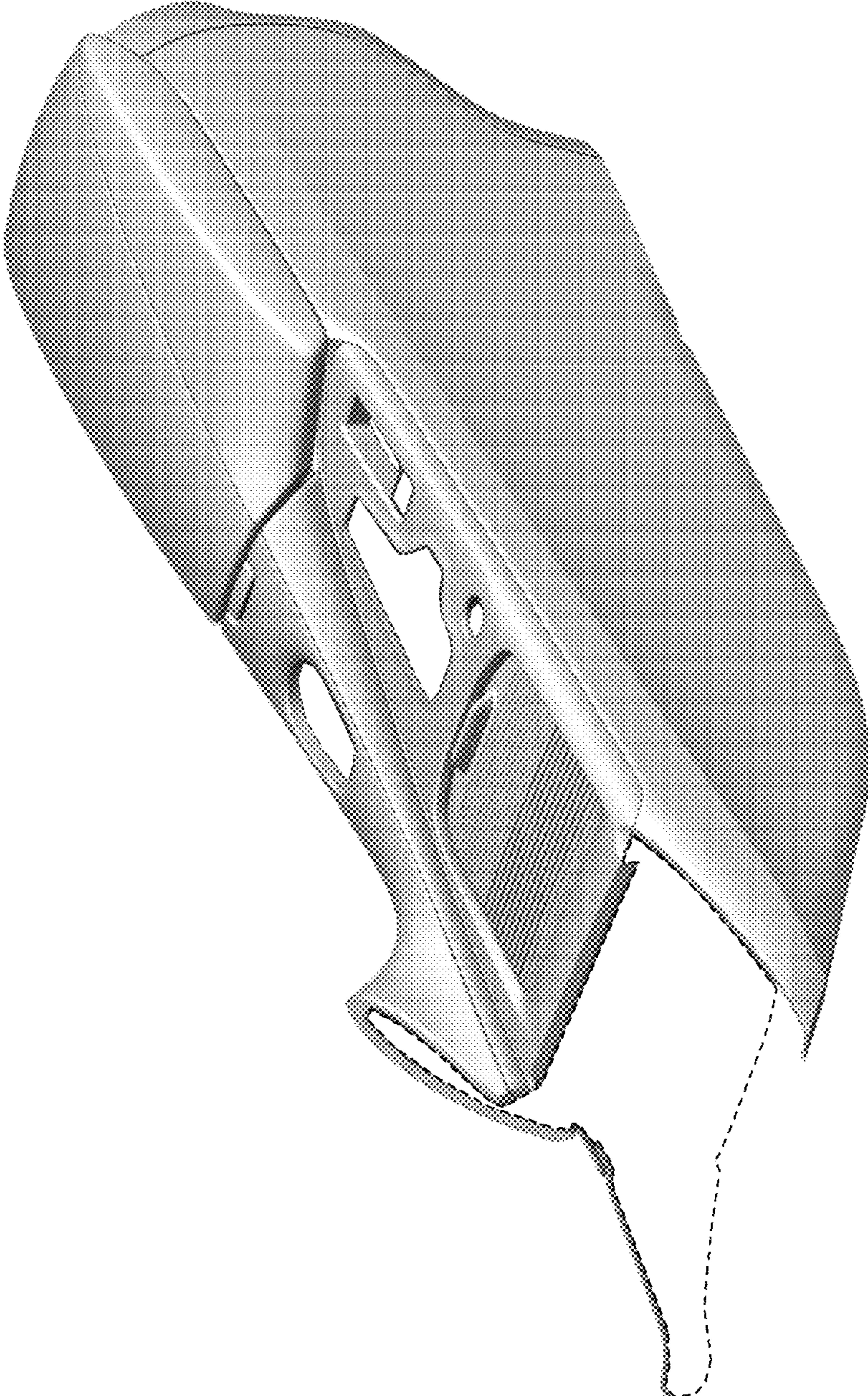


FIG. 7

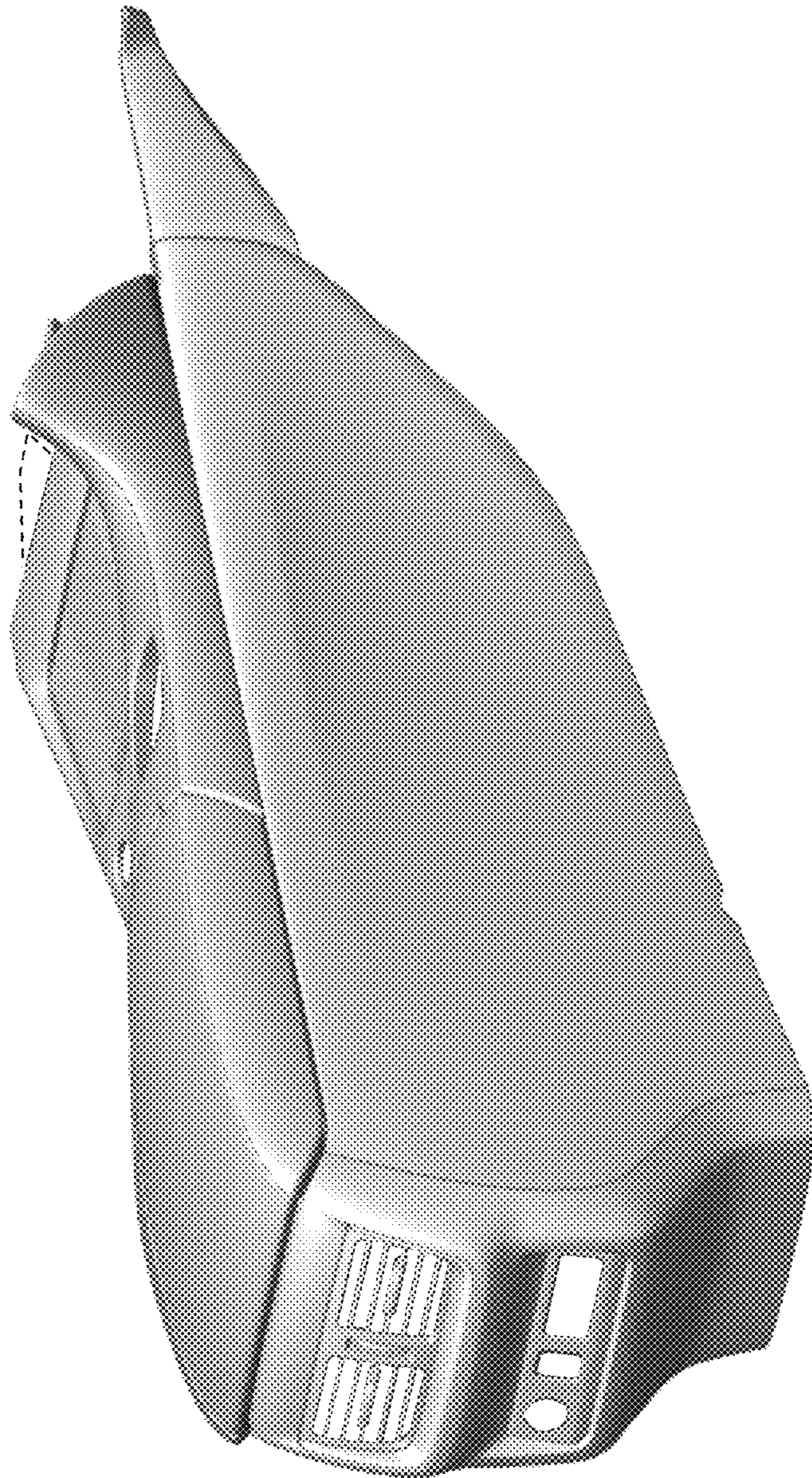


FIG. 8