



US00D830950S

(12) **United States Design Patent**
Lee et al.

(10) **Patent No.:** **US D830,950 S**
(45) **Date of Patent:** **** Oct. 16, 2018**

- (54) **AUTOMOTIVE CENTER FASCIA**
- (71) Applicant: **Samsung Display Co., Ltd.**, Yongin-si, Gyeonggi-do (KR)
- (72) Inventors: **Jae-Won Lee**, Hwaseong-si (KR); **Jong Sung Bae**, Hwaseong-si (KR); **Mu Gyeom Kim**, Hwaseong-si (KR); **Kyoung-Eun Lee**, Seoul (KR); **Myoung Jin Lee**, Seoul (KR)
- (73) Assignee: **Samsung Display Co., Ltd.**, Yongin-si (KR)
- (**) Term: **15 Years**
- (21) Appl. No.: **29/632,561**
- (22) Filed: **Jan. 8, 2018**

Related U.S. Application Data

- (62) Division of application No. 29/539,562, filed on Sep. 15, 2015, now Pat. No. Des. 807,277.

Foreign Application Priority Data

Mar. 16, 2015 (KR) 30-2015-0013206

- (51) **LOC (11) Cl.** **12-16**
- (52) **U.S. Cl.**
USPC **D12/415**
- (58) **Field of Classification Search**
USPC D12/415, 416-420, 400, 191, 423;
D6/513-514, 611, 553, 556, 559
CPC ... B60R 11/02; B60R 2011/0005; B60R 7/04;
B60R 7/08; B60K 35/00
See application file for complete search history.

(56) **References Cited**

U.S. PATENT DOCUMENTS

- D541,209 S * 4/2007 Castator 296/24.34
- D611,401 S * 3/2010 Saint-Jalmes D12/345

- D640,159 S * 6/2011 Millar D11/89
- D651,966 S * 1/2012 Hwang D12/419
- 8,322,768 B2 * 12/2012 Carnevali B60R 7/04
296/193.04
- 8,915,531 B2 * 12/2014 Horton B60R 11/00
296/37.8
- D735,636 S * 8/2015 Wragg D12/419
- 9,156,386 B2 * 10/2015 Cinco B60N 2/4646
- 9,199,562 B2 * 12/2015 Skapof B60R 7/04
- D764,386 S 8/2016 Ahn et al.
- D767,470 S 9/2016 Klabunde

(Continued)

FOREIGN PATENT DOCUMENTS

KR 10-2014-0058309 A 5/2014

Primary Examiner — Katrina A Betton

(74) *Attorney, Agent, or Firm* — Lewis Roca Rothgerber Christie LLP

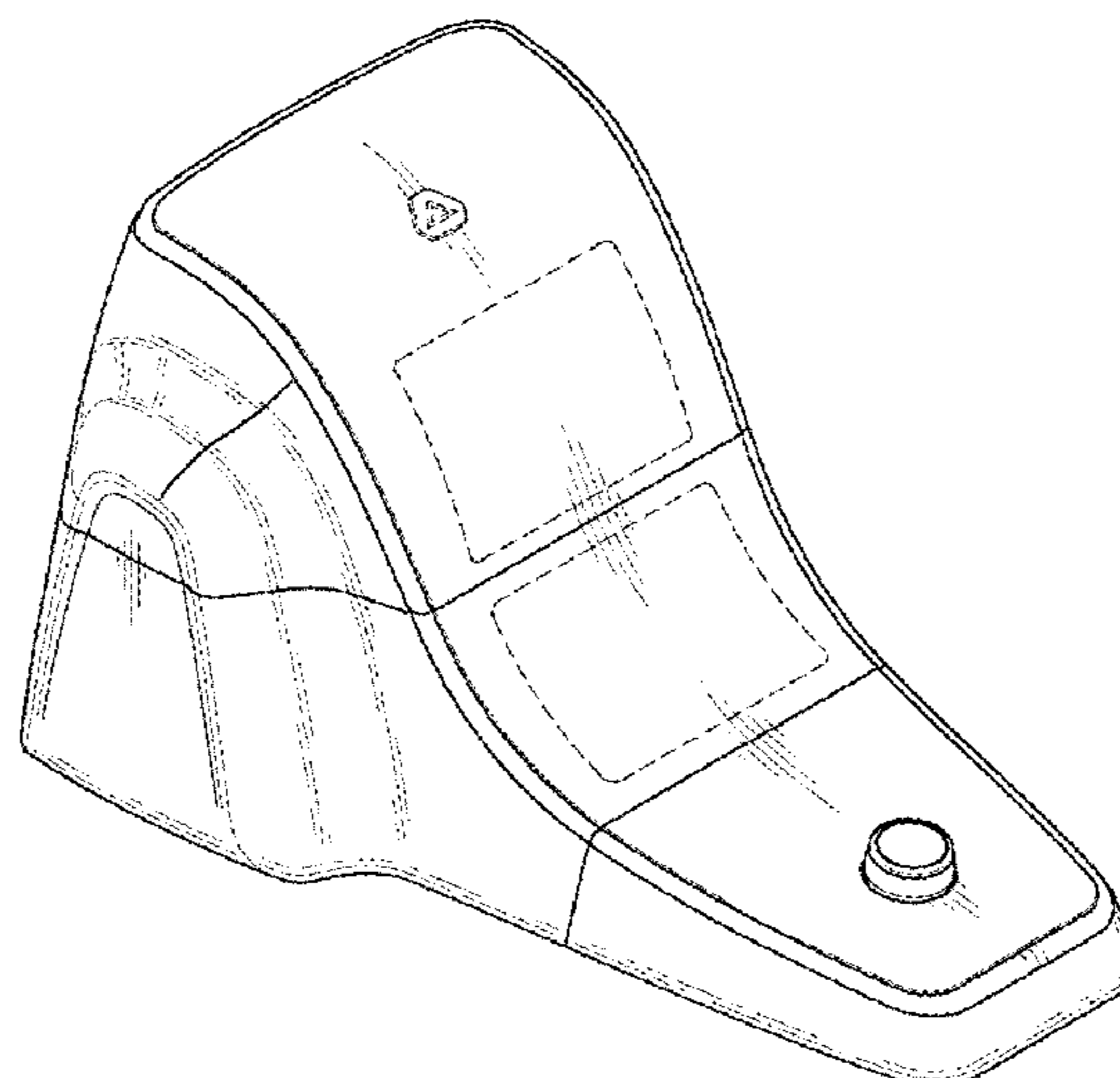
(57) **CLAIM**

The ornamental design for an automotive center fascia, as shown and described.

DESCRIPTION

FIG. 1 is a perspective view of an automotive center fascia; FIG. 2 is a front view thereof; FIG. 3 is a rear view thereof; FIG. 4 is a left-side view thereof; FIG. 5 is a right-side view thereof; FIG. 6 is a top view thereof; FIG. 7 is a bottom view thereof; and, FIG. 8 is a perspective view thereof of the automotive center fascia with an image, such as icons, displayed thereon, the image forming no part of the claimed design. The broken lines shown in the drawings illustrate portions of the automotive center fascia that form no part of the claimed design.

1 Claim, 8 Drawing Sheets



(56)

References Cited

U.S. PATENT DOCUMENTS

D770,361 S	11/2016	Chan	
D778,219 S	* 2/2017	Choi	D12/174
D783,505 S	4/2017	Neal	
D784,909 S	4/2017	Lee et al.	
D786,171 S	5/2017	Smallhorn	
D786,770 S	5/2017	Smallhorn	
D787,420 S	5/2017	Smallhorn	
D787,423 S	5/2017	Lin et al.	

* cited by examiner

FIG. 1

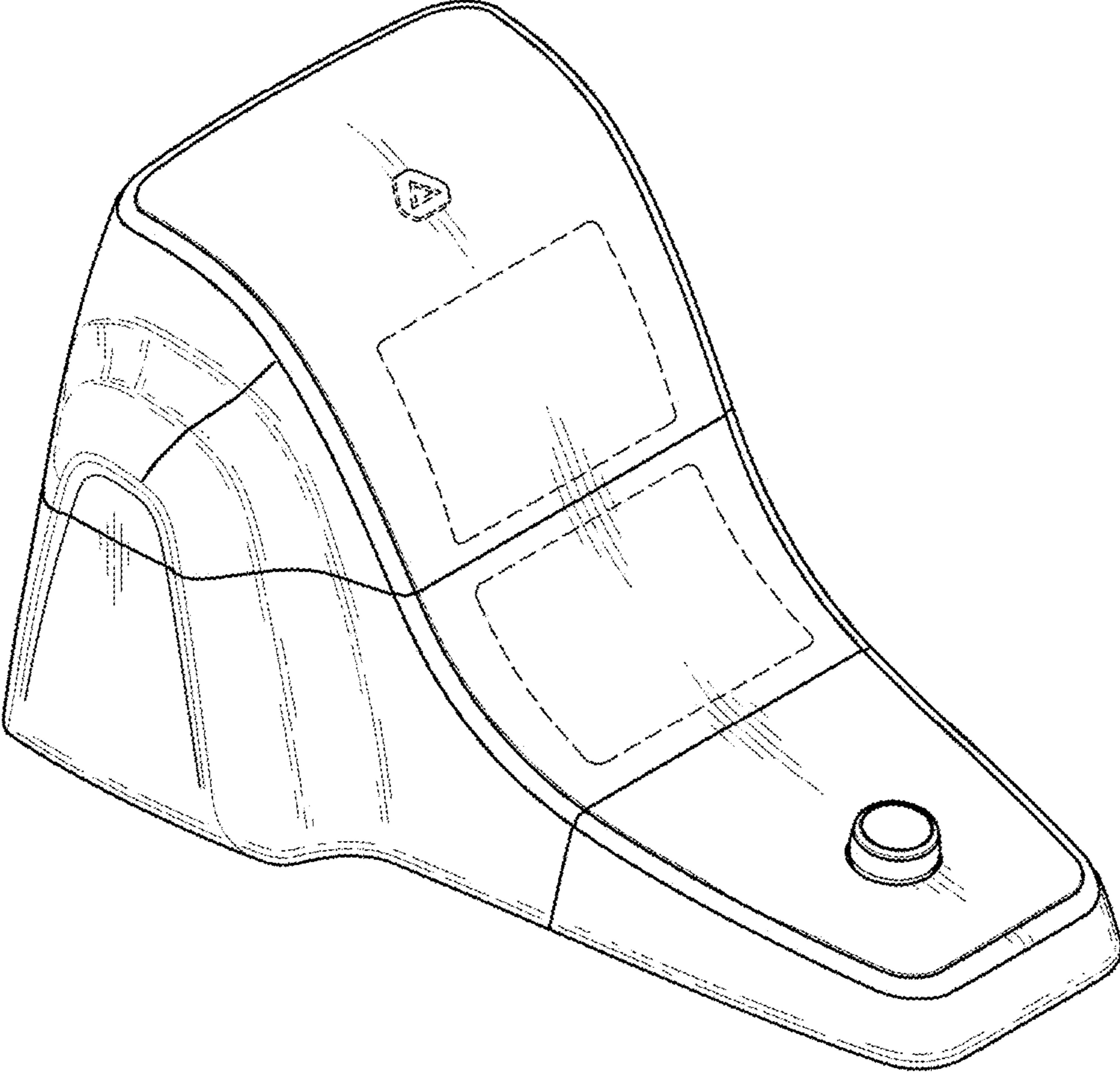


FIG. 2

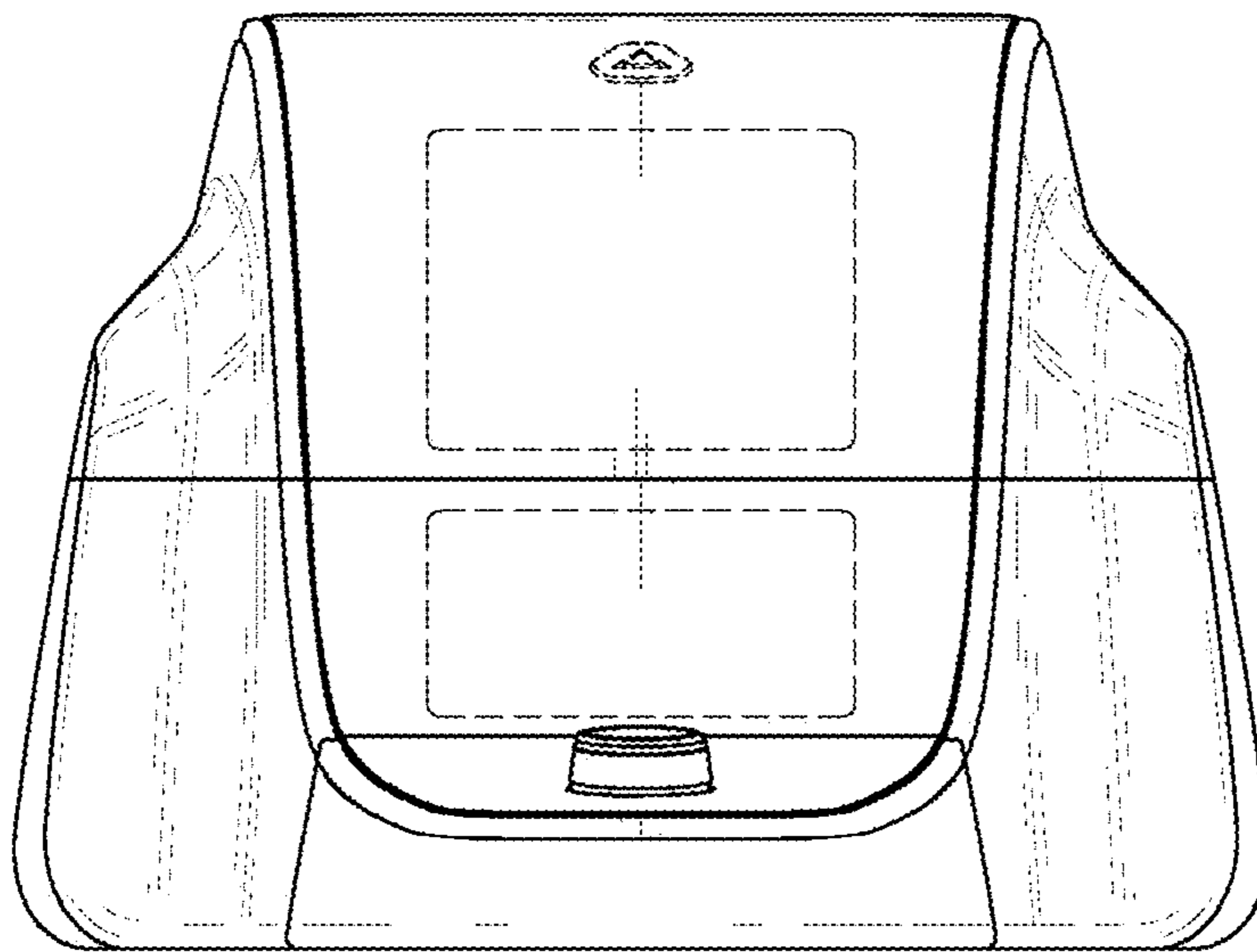


FIG. 3

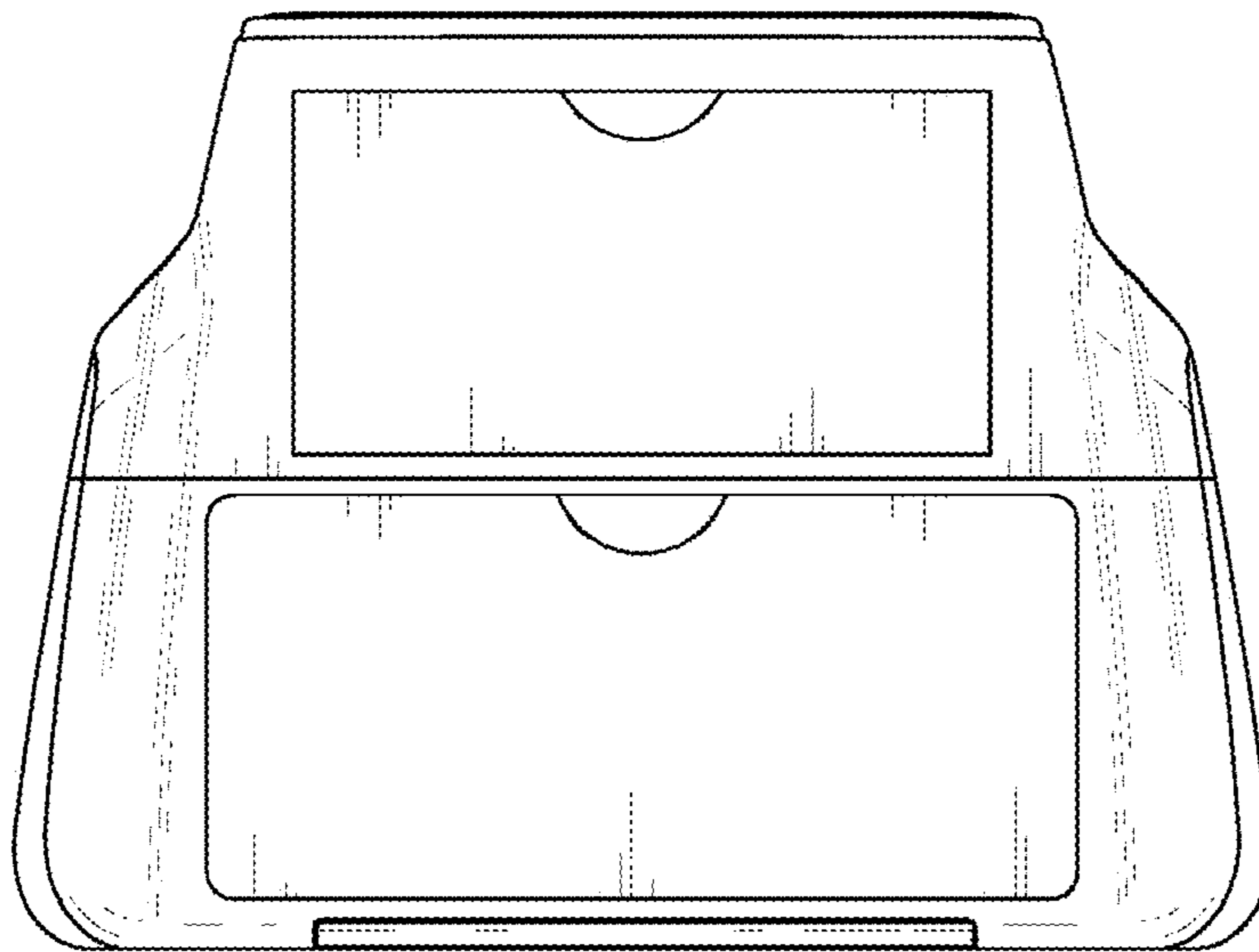


FIG. 4

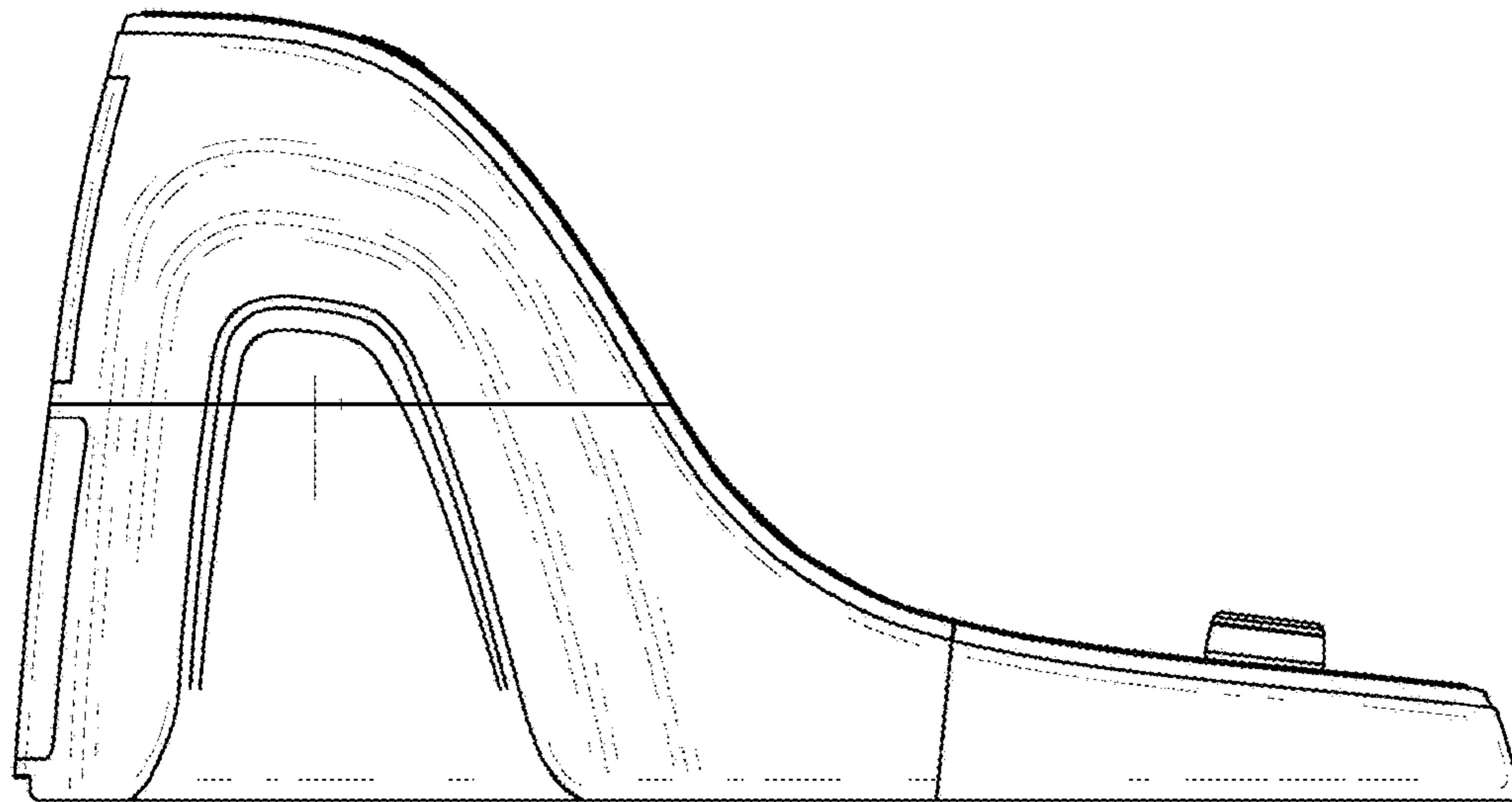


FIG. 5

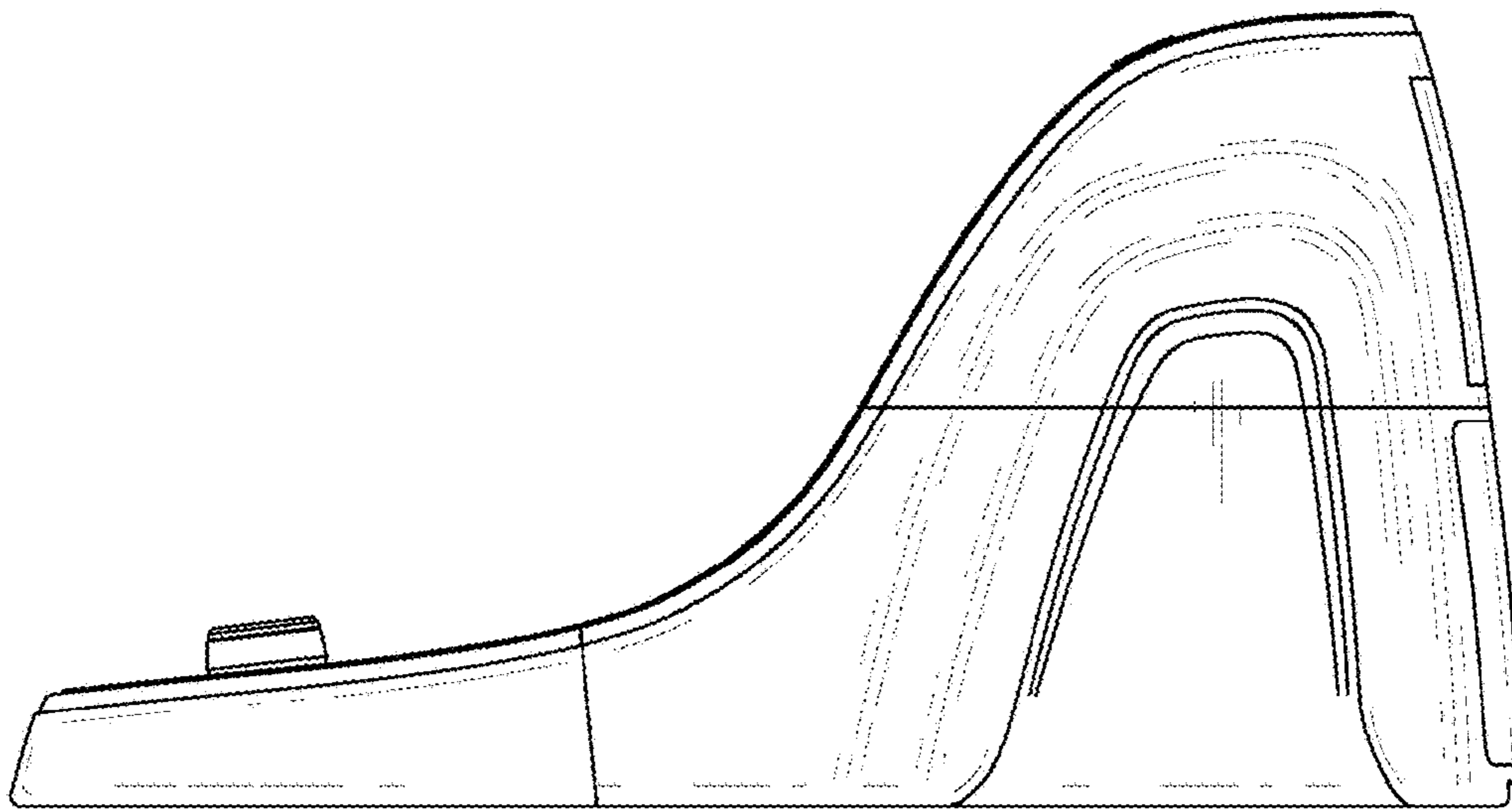


FIG. 6

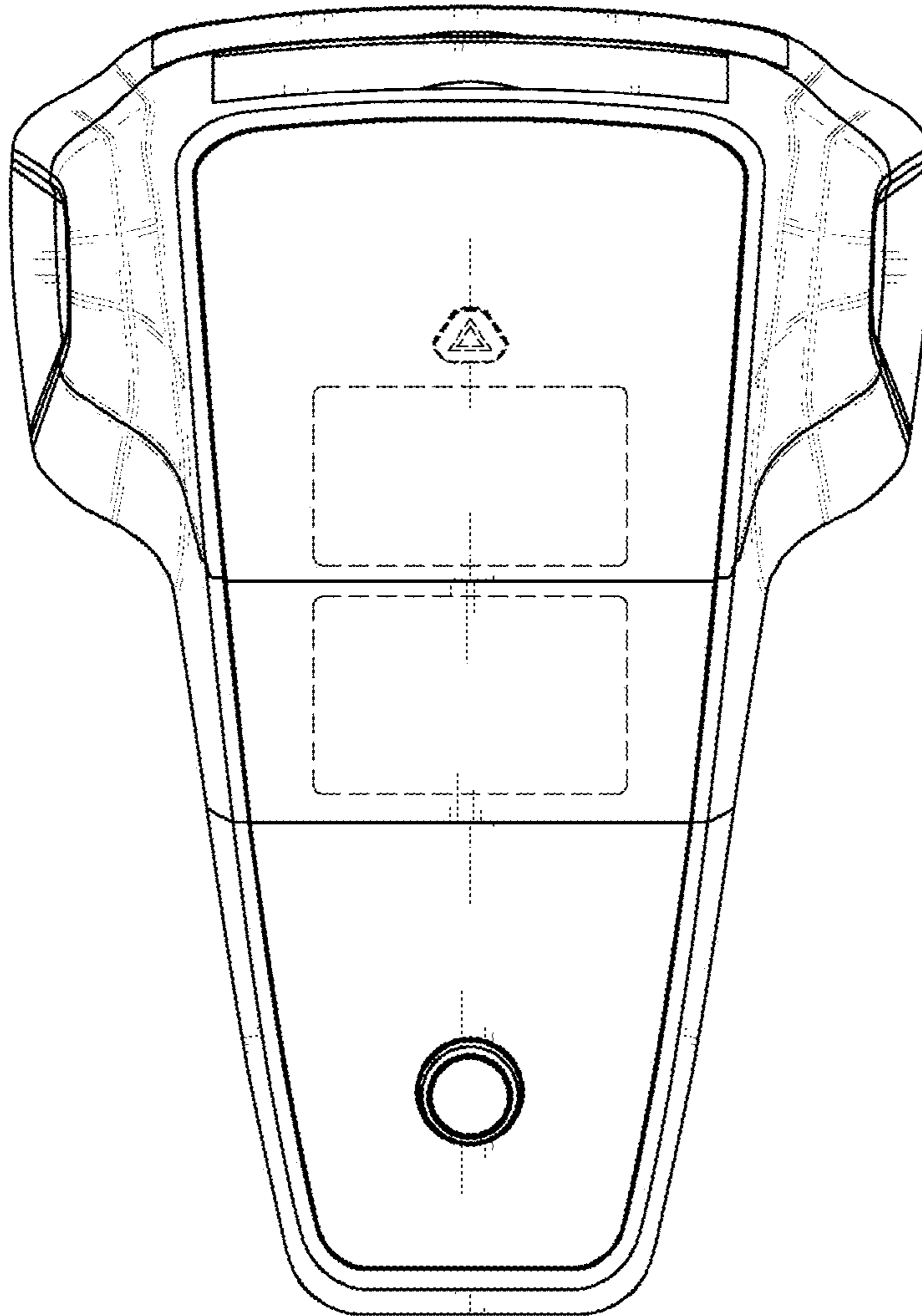


FIG. 7

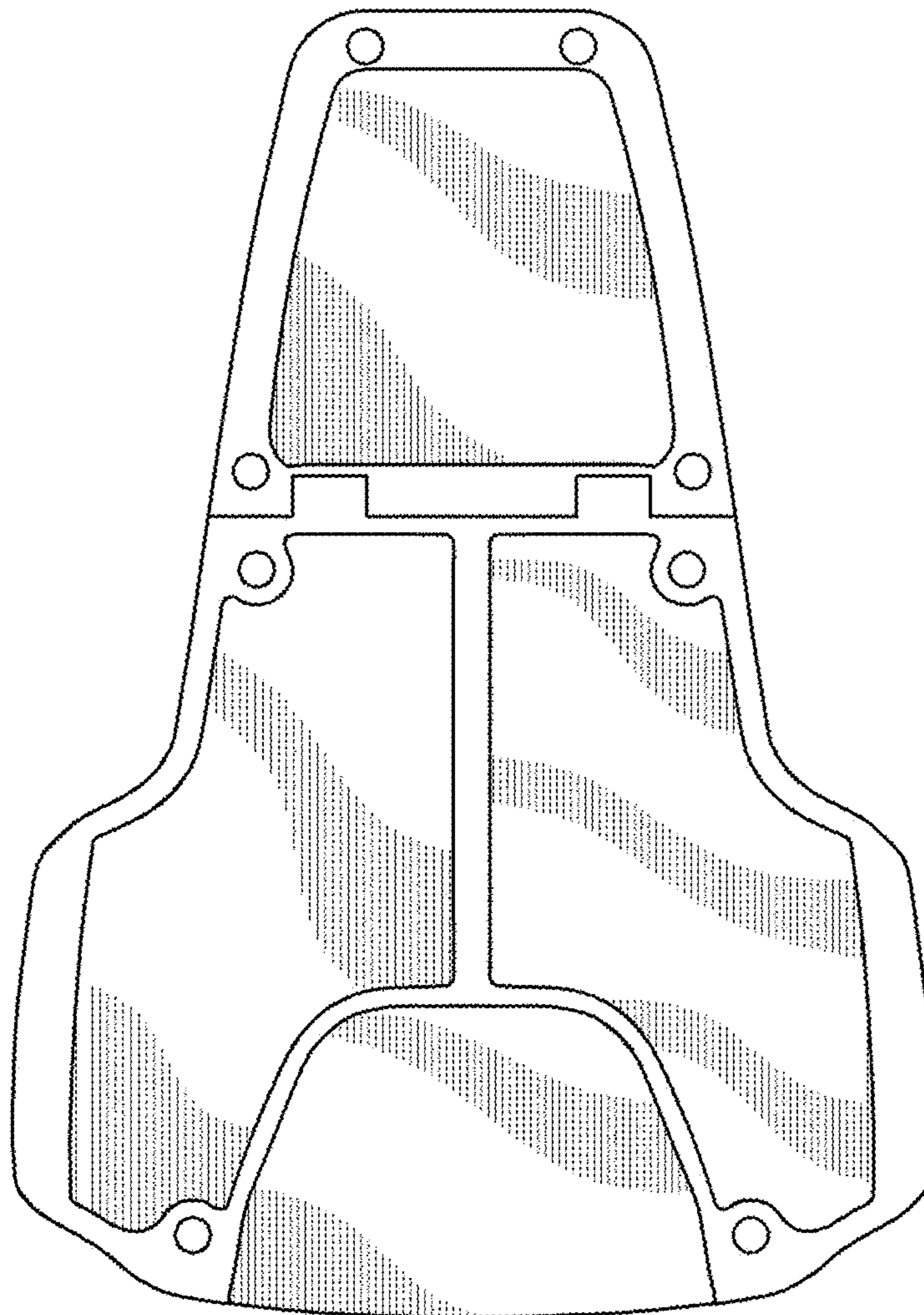


FIG. 8

