



US00D830949S

(12) **United States Design Patent**  
**D'Halluin et al.**

(10) **Patent No.:** **US D830,949 S**  
(45) **Date of Patent:** **\*\* Oct. 16, 2018**

(54) **AIRPLANE CONSOLE**  
(71) Applicant: **DASSAULT AVIATION**, Paris (FR)  
(72) Inventors: **Marion D'Halluin**, Boulogne Billancourt (FR); **Jean-Remi Billon**, Paris (FR); **Matthieu Poidatz**, Suresnes (FR); **Agnès Gervais**, Paris (FR); **Maxime Robert**, Paris (FR)

(73) Assignee: **DASSAULT AVIATION**, Paris (FR)

(\*\*) Term: **15 Years**

(21) Appl. No.: **29/603,981**

(22) Filed: **May 15, 2017**

(30) **Foreign Application Priority Data**

Nov. 14, 2016 (EM) ..... RCD003463124-0004

(51) **LOC (11) Cl.** ..... **12-16**

(52) **U.S. Cl.**  
USPC ..... **D12/415**

(58) **Field of Classification Search**  
USPC ..... D12/415-420, 400, 191, 423; D6/513, D6/514, 611, 553, 556, 559  
CPC ... B60R 11/02; B60R 2011/0005; B60R 7/04; B60R 7/08; B60K 35/00  
See application file for complete search history.

(56) **References Cited**

**U.S. PATENT DOCUMENTS**

D576,821 S \* 9/2008 Fissette ..... D6/694  
D610,960 S \* 3/2010 Scoley ..... D12/345

D696,181 S \* 12/2013 Martin ..... D12/415  
D726,096 S \* 4/2015 Schmalz ..... D12/415  
D729,146 S \* 5/2015 Cervini ..... D12/415  
D731,953 S \* 6/2015 Hodges ..... D12/419  
D746,213 S \* 12/2015 Castanha ..... D12/345  
D765,580 S \* 9/2016 Pumphrey ..... D12/415  
9,669,935 B2 \* 6/2017 Headrick ..... B64D 13/00  
D796,652 S \* 9/2017 Vish ..... D23/300

\* cited by examiner

*Primary Examiner* — Katrina A Betton

(74) *Attorney, Agent, or Firm* — Davidson, Davidson & Kappel, LLC

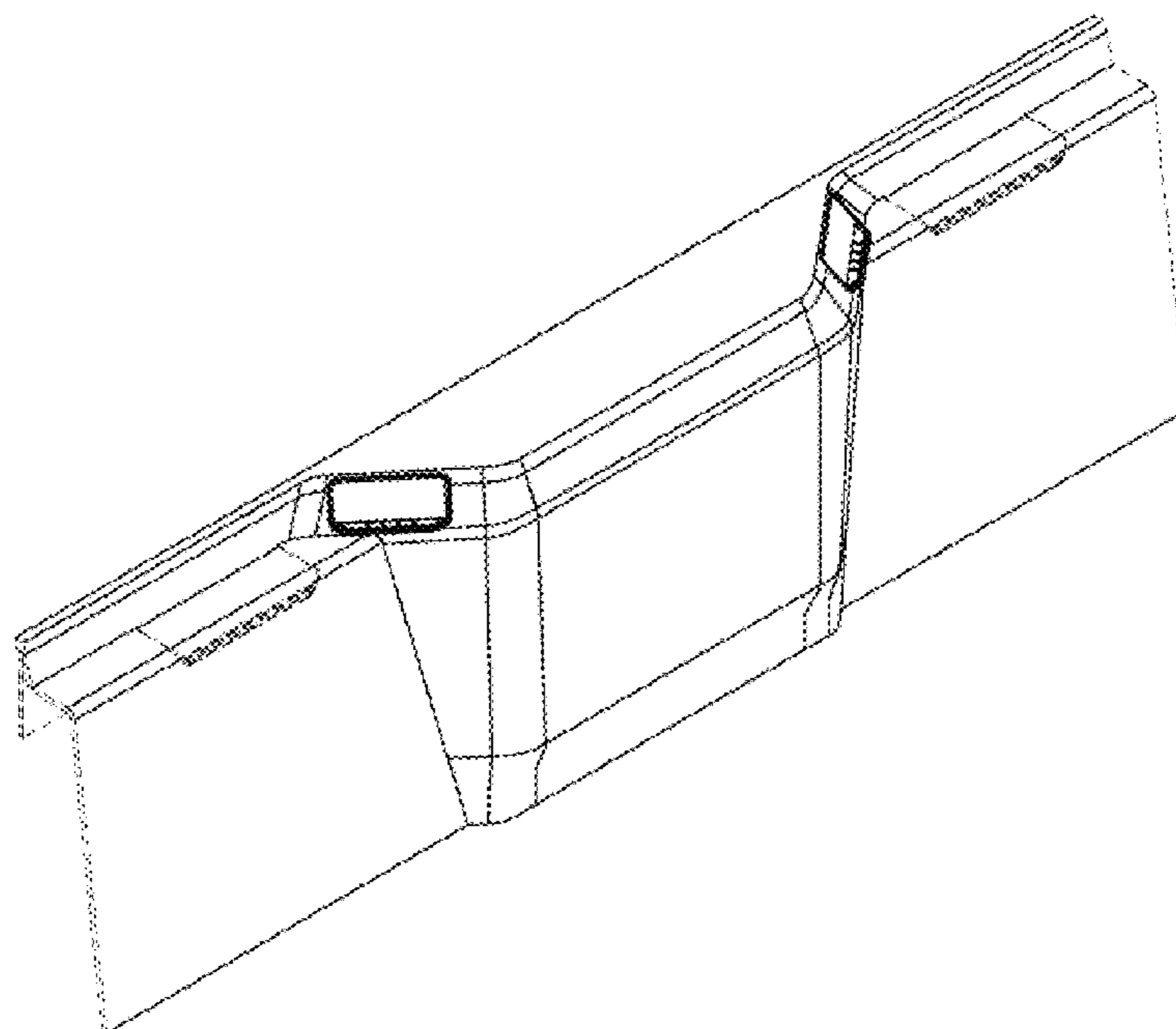
(57) **CLAIM**

The ornamental design for an airplane console, as shown and described.

**DESCRIPTION**

FIG. 1 is a front perspective view of the claimed design;  
FIG. 2 is a front elevation view of the claimed design;  
FIG. 3 is a top plan view of the claimed design;  
FIG. 4 is a left side elevation view of the claimed design;  
and,  
FIG. 5 is a right side elevation view of the claimed design.  
The broken line representations in the figures are for illustration only and form no part of the claimed design.

**1 Claim, 5 Drawing Sheets**



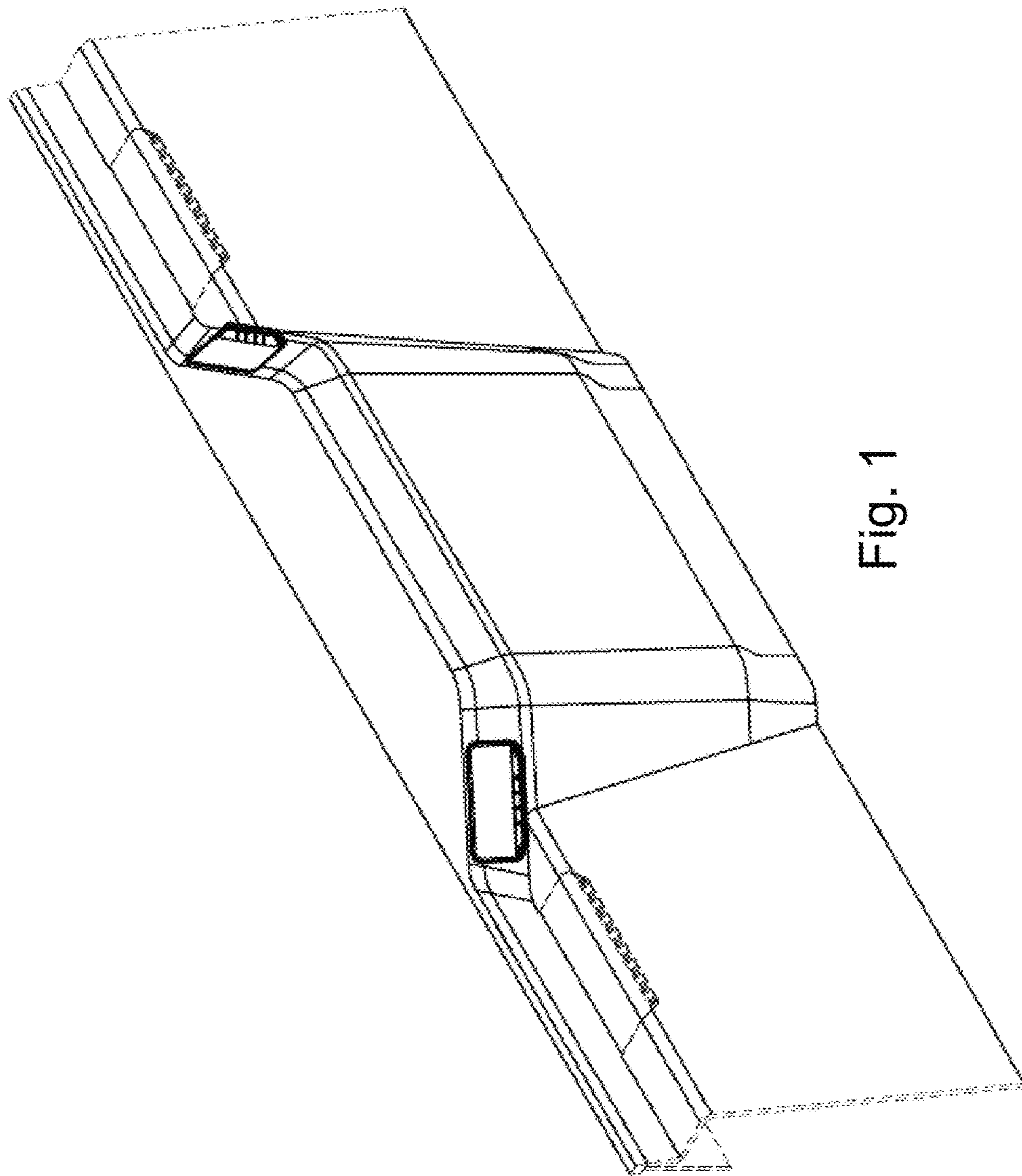


Fig. 1

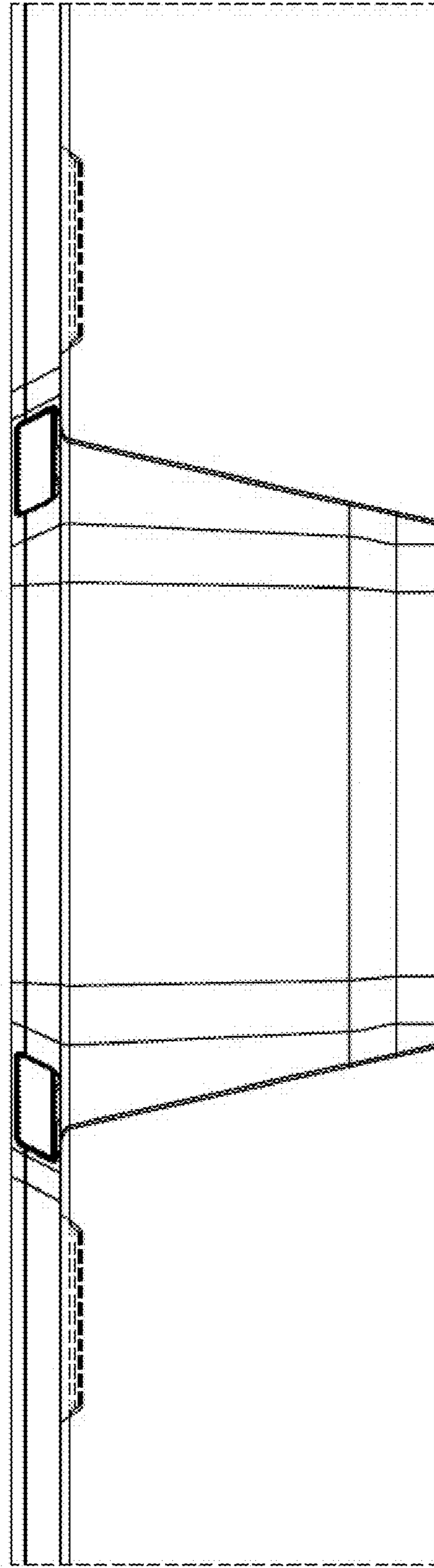


Fig. 2

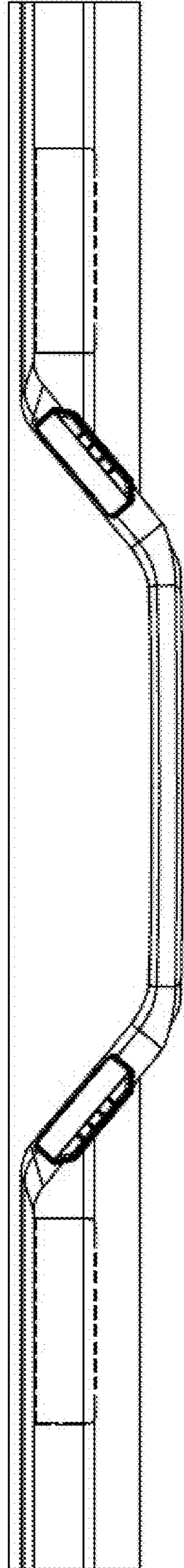


Fig. 3

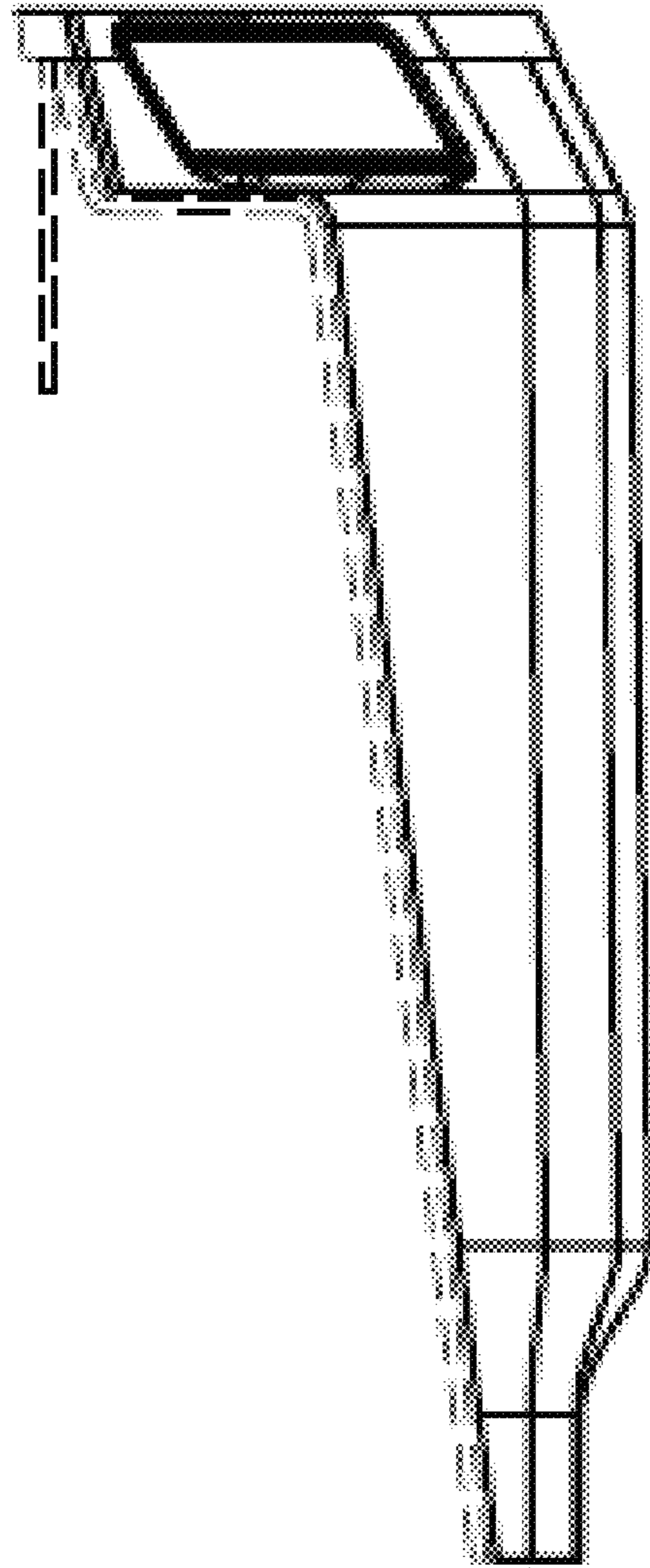


Fig. 4



Fig. 5