



US00D830947S

(12) **United States Design Patent**  
**Adler et al.**

(10) **Patent No.:** **US D830,947 S**  
(45) **Date of Patent:** **\*\* Oct. 16, 2018**

- (54) **CARRIER**
- (71) Applicant: **Thule Sweden AB**, Hillerstorp (SE)
- (72) Inventors: **Jan Adler**, Skillingaryd (SE); **Edmund Farmer**, Seymour, CT (US); **David Castano Galindo**, Waterbury, CT (US)
- (73) Assignee: **Thule Sweden AB**, Hillerstorp (SE)
- (\*\*) Term: **15 Years**
- (21) Appl. No.: **29/611,660**
- (22) Filed: **Jul. 24, 2017**
- (51) **LOC (11) Cl.** ..... **12-16**
- (52) **U.S. Cl.**  
USPC ..... **D12/406**
- (58) **Field of Classification Search**  
USPC ..... D12/401-414; D6/610-611  
CPC .... B60R 9/00; B60R 9/02; B60R 9/04; B60R 9/08; B60R 9/042; B60R 9/0423; B60R 9/0426; B60R 9/045; B60R 9/048; B60R 9/0485; B60R 9/05; B60R 9/052; B60R 9/055; B60R 9/058; B60R 9/06; B60R 9/065; B60R 9/10; B60R 9/12  
See application file for complete search history.

D808,889 S *	1/2018	Puchkoff .....	D12/406
D812,546 S *	3/2018	Johnson .....	D12/406
D817,853 S *	5/2018	Abrantes .....	D12/406

**OTHER PUBLICATIONS**

Thule.com, "Thule Hull-a-Port PRO" <[https://www.thule.com/en-us/us/sport-rack/kayak-roof-racks/thule-hull-a-port-pro-\\_31306](https://www.thule.com/en-us/us/sport-rack/kayak-roof-racks/thule-hull-a-port-pro-_31306)>, accessed Aug. 28, 2017.  
 Yakima.com, "Jaylow", <<https://www.yakima.com/jaylow>>, accessed Aug. 28, 2017.  
 Malone.com, "J-Loader" <<https://maloneautoracks.com/J-Loader-TM.html>>, accessed Aug. 28, 2017.

\* cited by examiner

*Primary Examiner* — Katrina A Betton  
 (74) *Attorney, Agent, or Firm* — Sterne, Kessler, Goldstein & Fox P.L.L.C.

(56) **References Cited**

**U.S. PATENT DOCUMENTS**

D638,345 S *	5/2011	Kanczuzewski .....	D12/406
D646,621 S *	10/2011	Mulanon .....	D12/406
D751,971 S *	3/2016	Patel .....	D12/406
D758,256 S *	6/2016	Cropley .....	D12/412
D777,080 S *	1/2017	Cropley .....	D12/412
D808,888 S *	1/2018	Puchkoff .....	D12/406

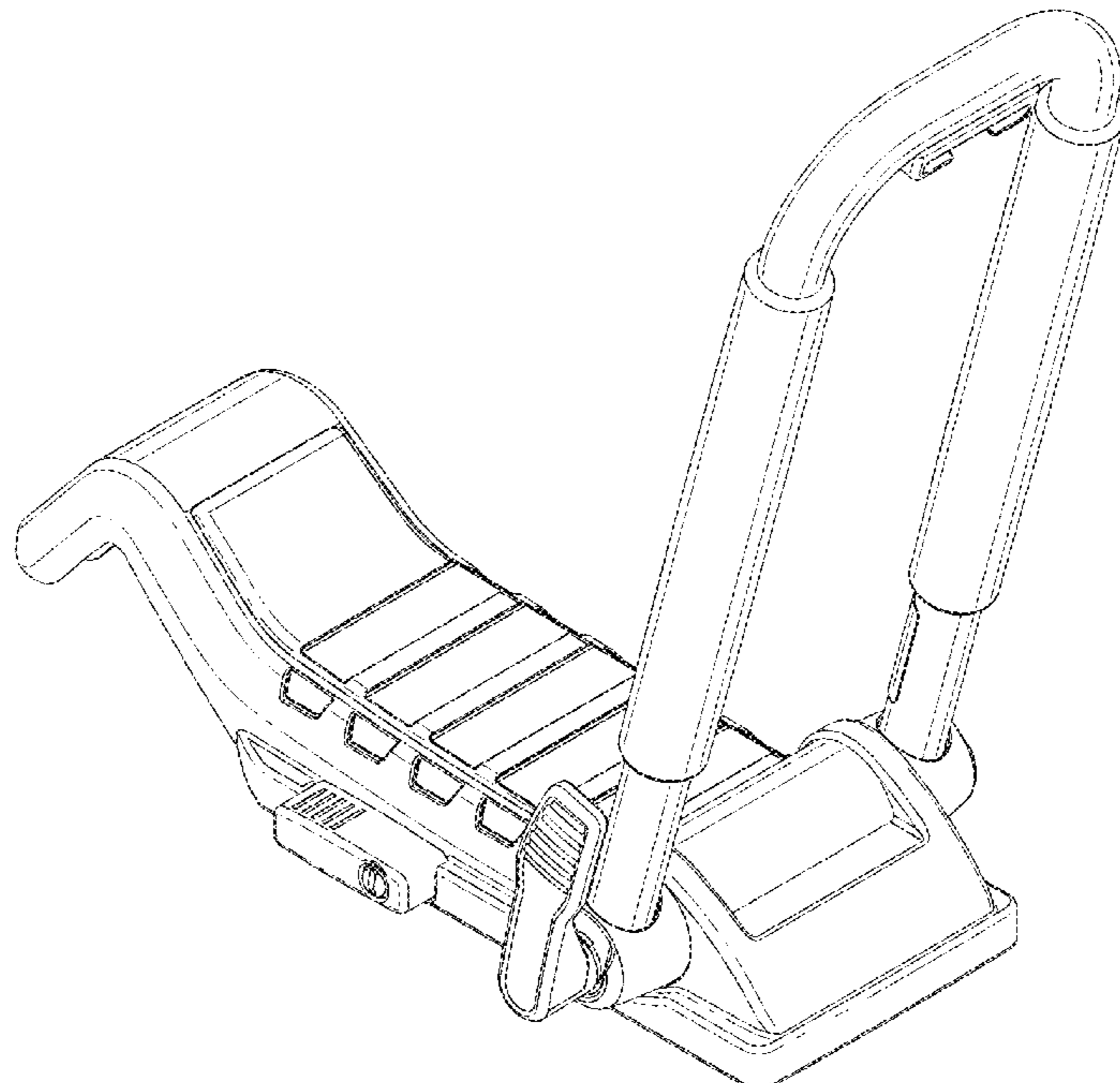
(57) **CLAIM**

The ornamental design for a carrier, as shown and described.

**DESCRIPTION**

FIG. 1 is a top rear perspective view of a carrier showing the claimed design;  
 FIG. 2 is a right side view thereof;  
 FIG. 3 is a left side view thereof;  
 FIG. 4 is a front view thereof;  
 FIG. 5 is a rear view thereof;  
 FIG. 6 is a top view thereof; and,  
 FIG. 7 is a bottom view thereof.  
 The broken lines in the figures show portions of the carrier that form no part of the claimed design.

**1 Claim, 7 Drawing Sheets**



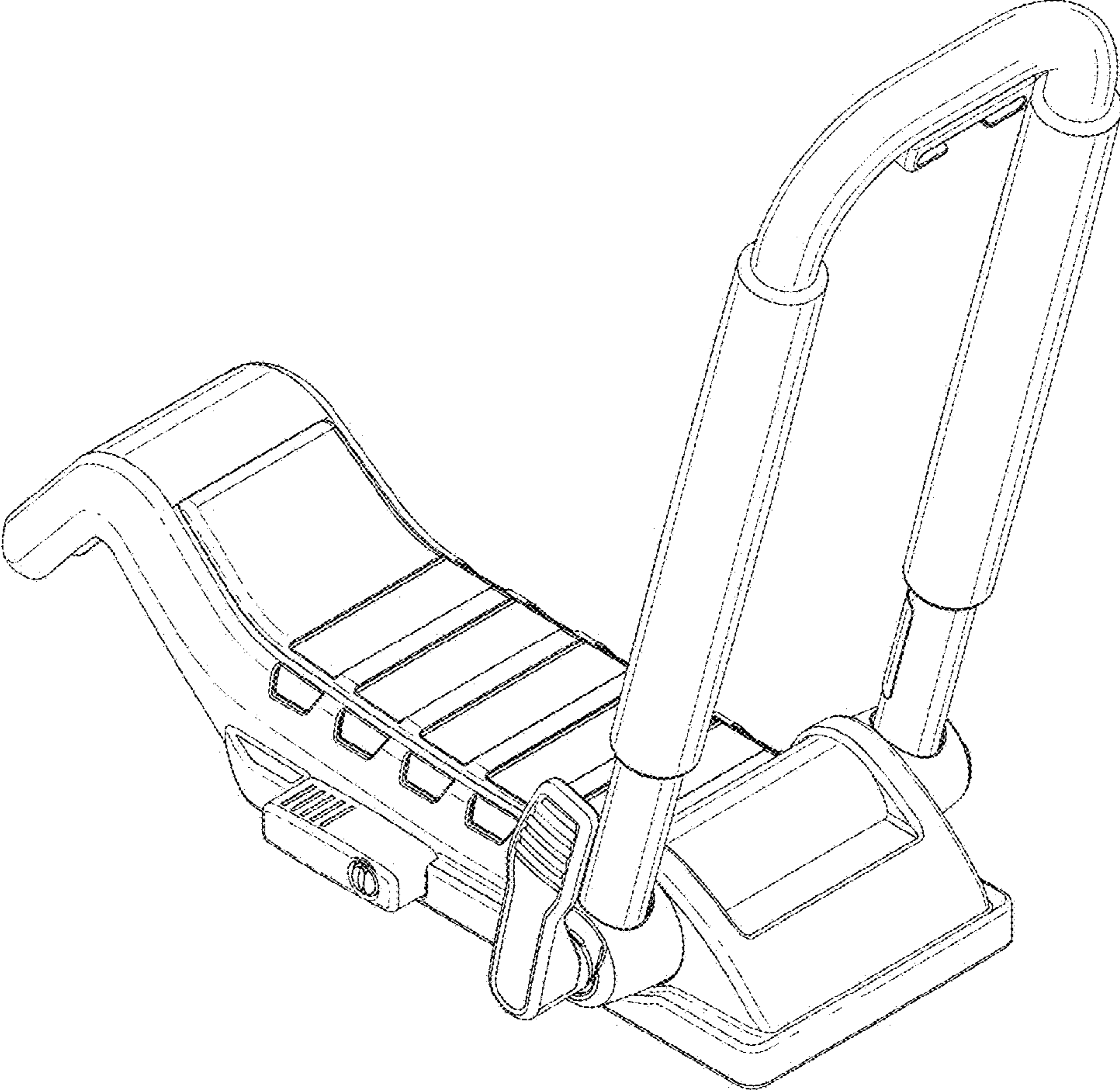


FIG.1

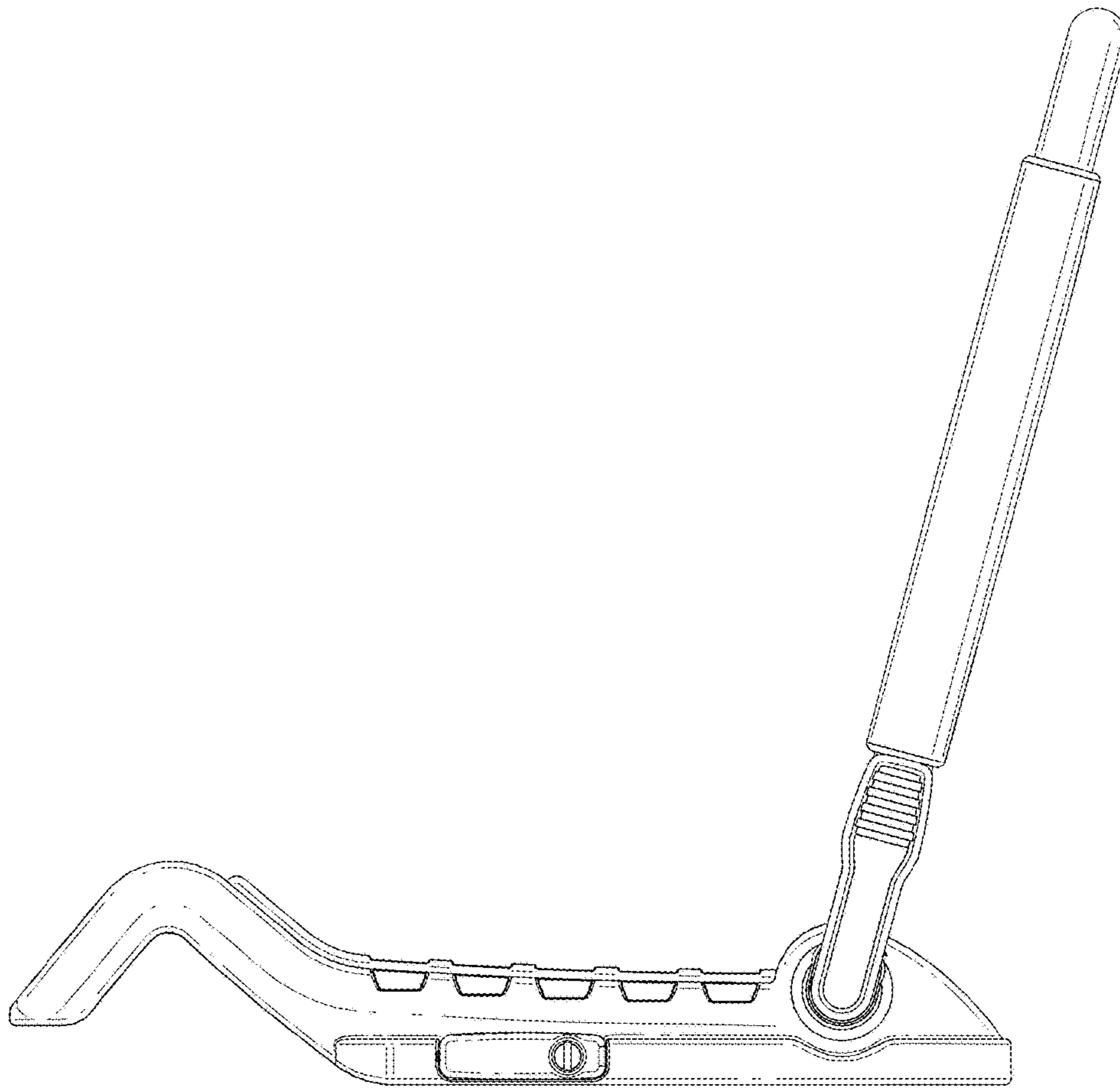
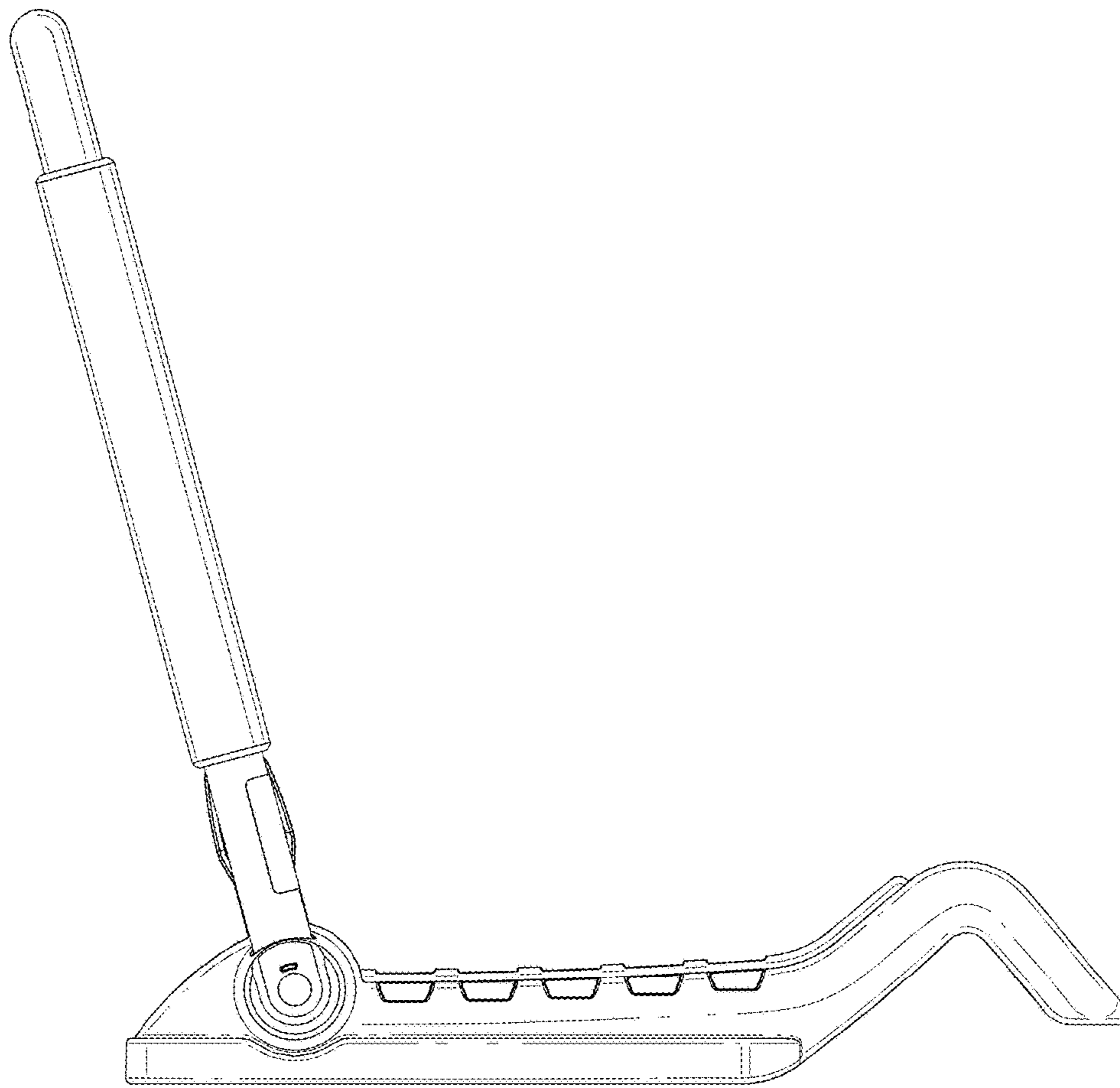
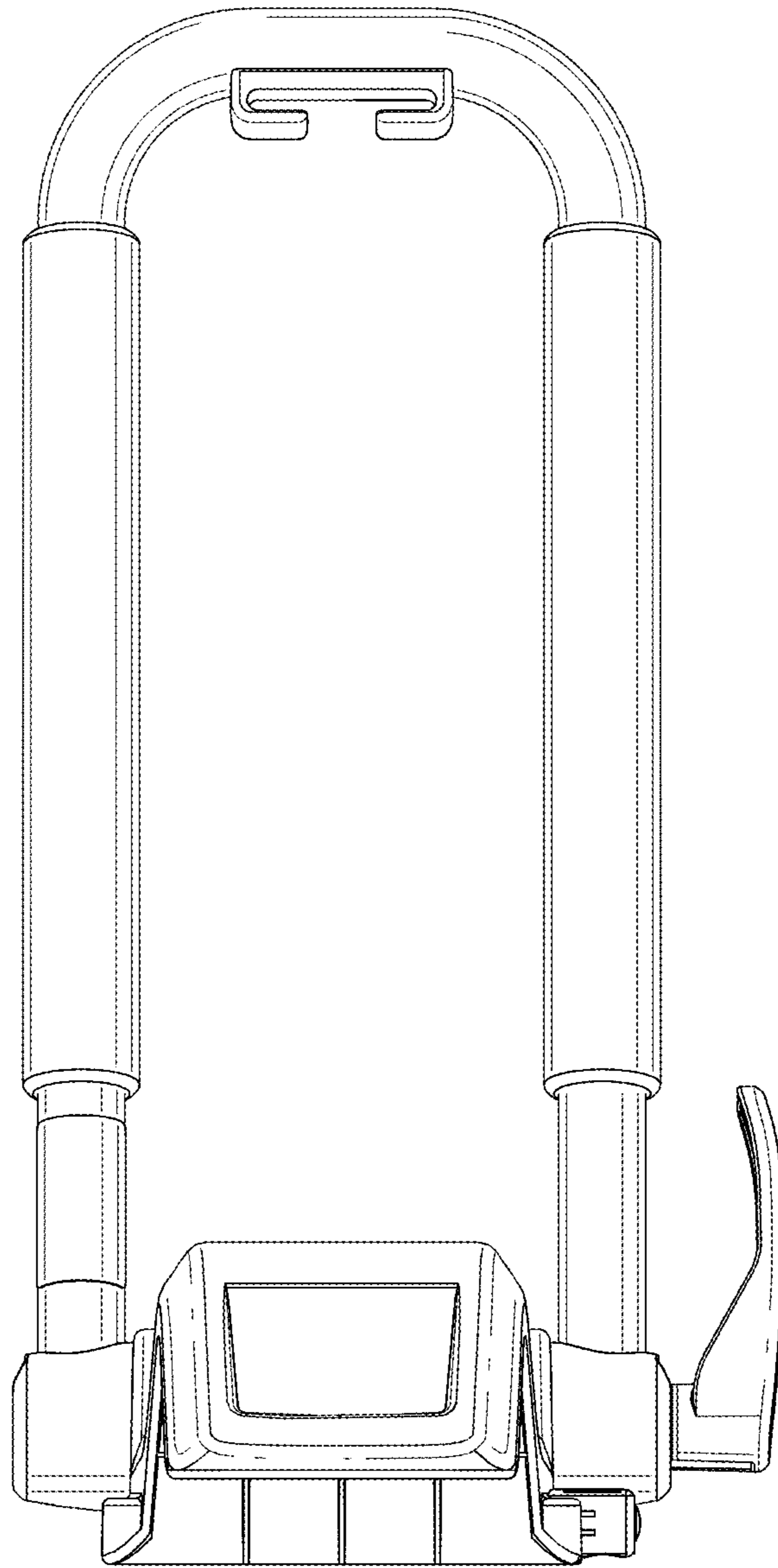


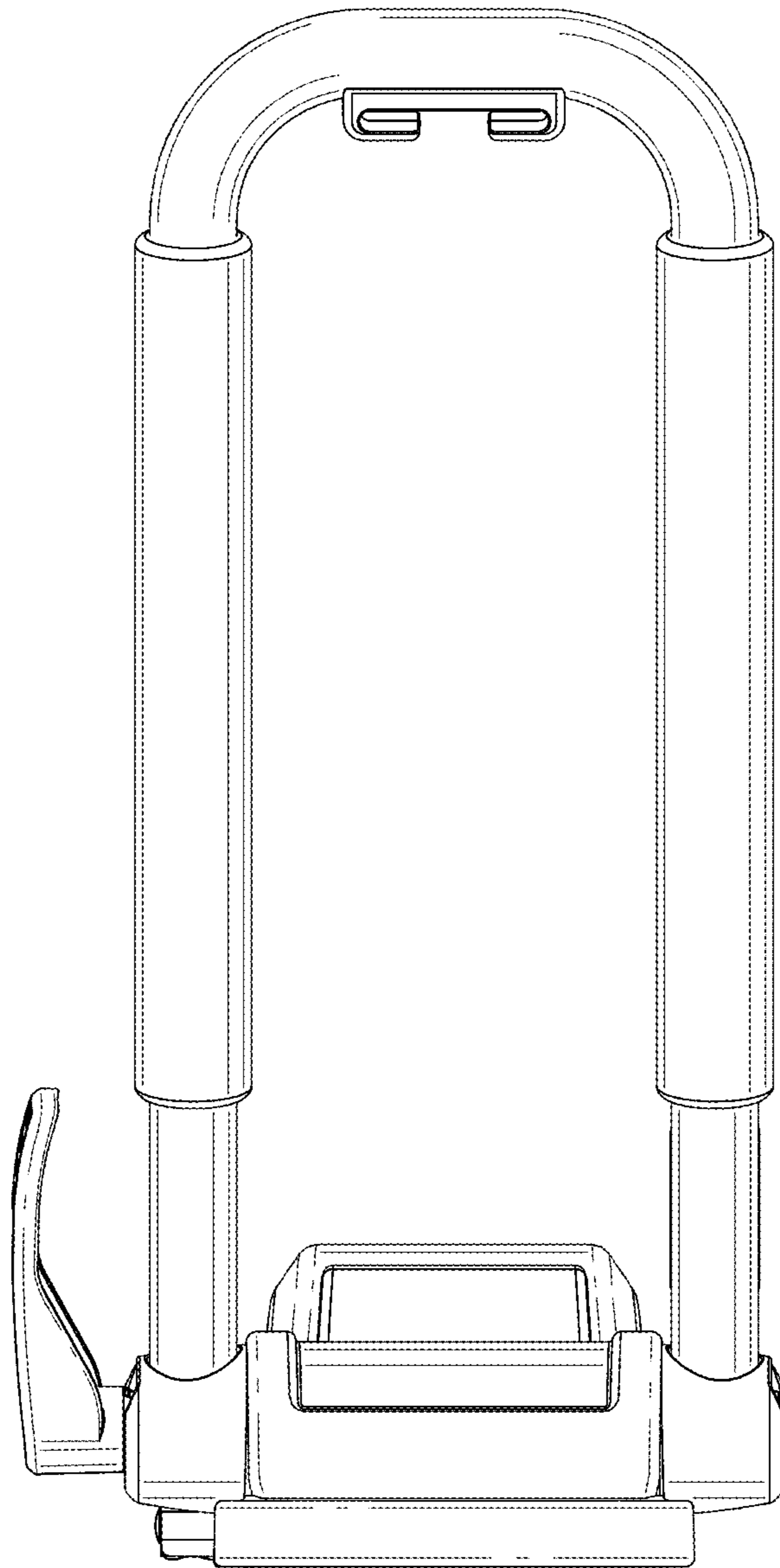
FIG. 2



**FIG. 3**



**FIG. 4**



**FIG. 5**

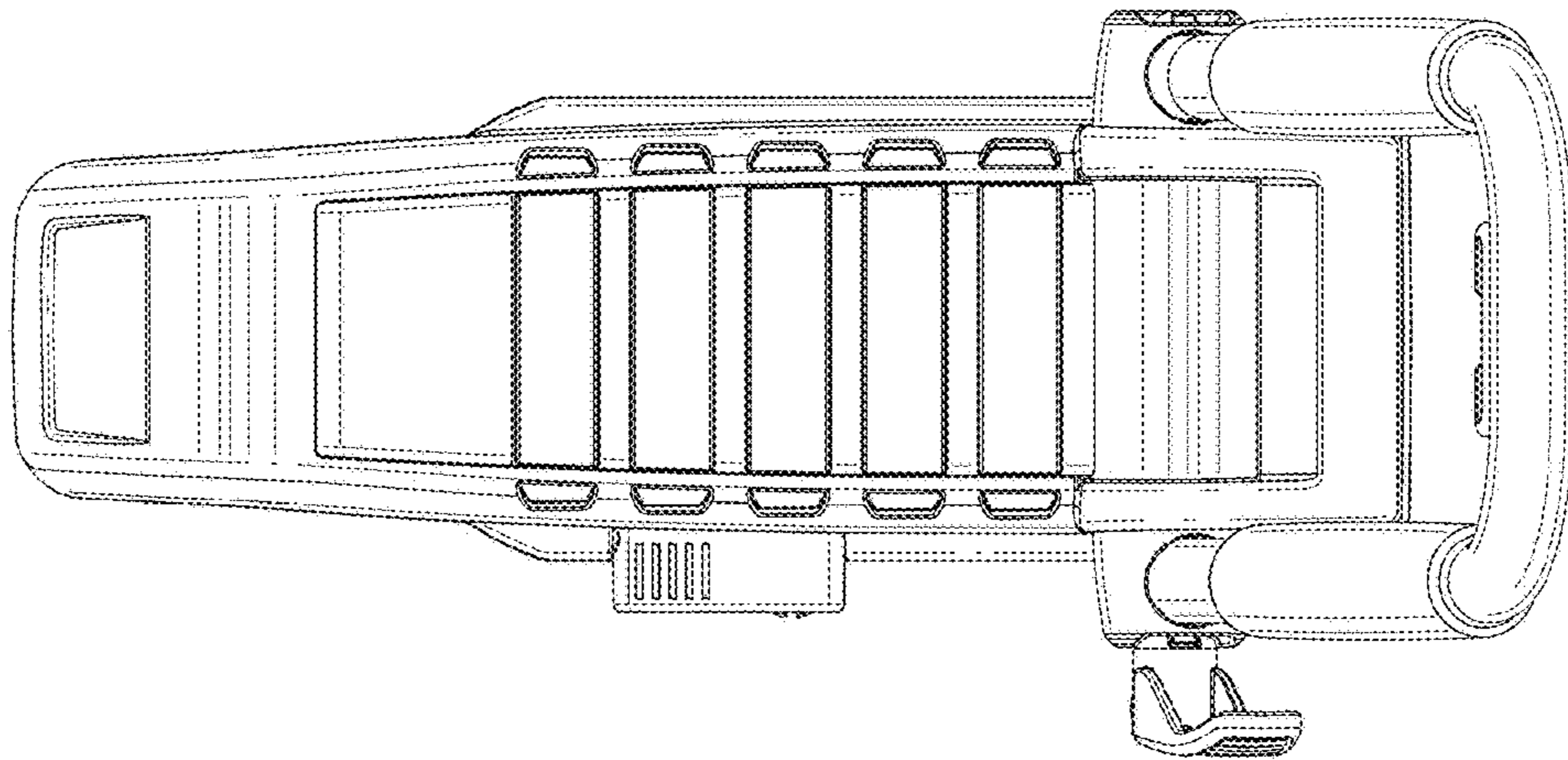
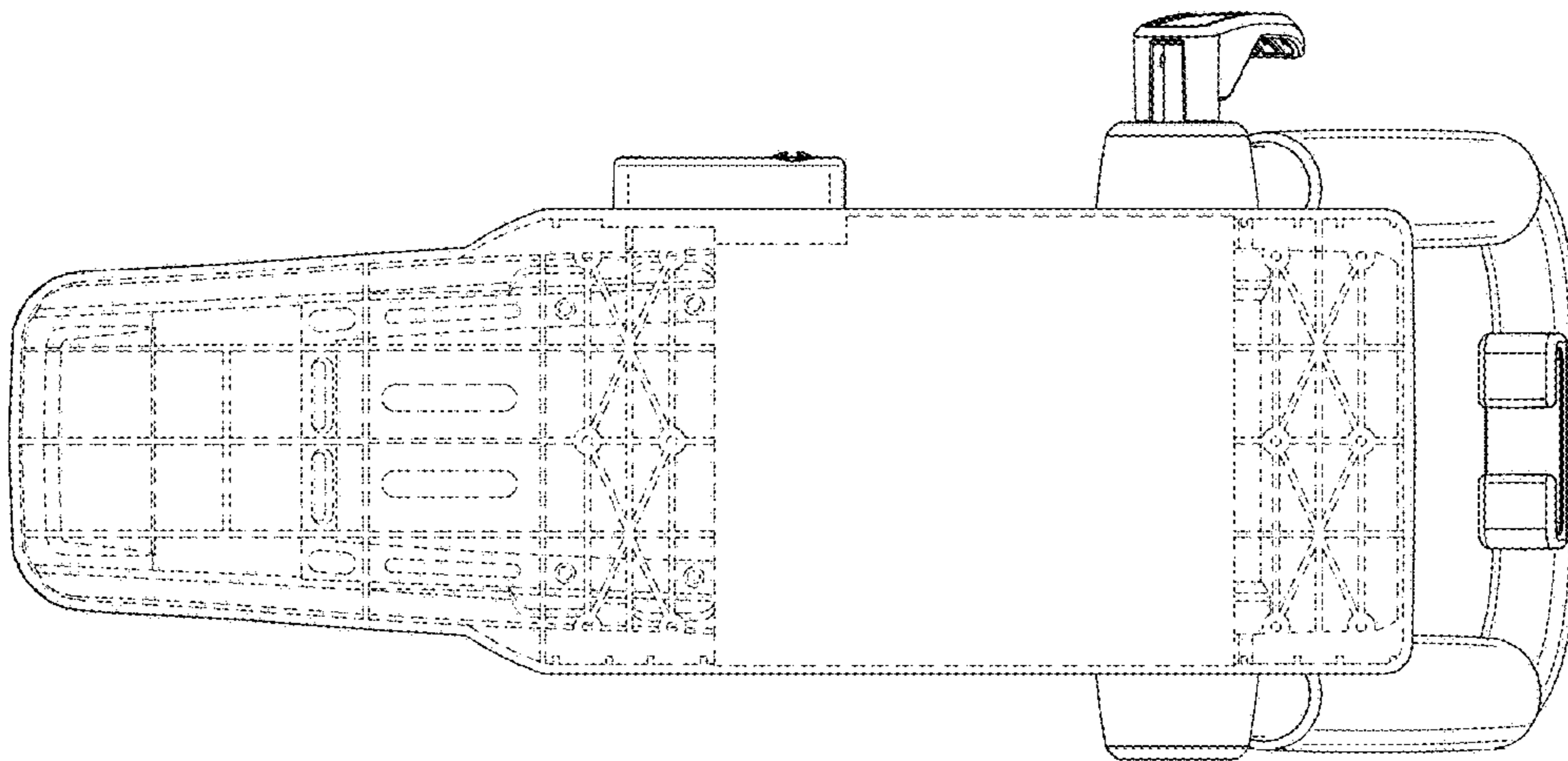


FIG. 6



**FIG. 7**