

US00D830946S

(12) **United States Design Patent** (10) **Patent No.:** **US D830,946 S**  
**Matus** (45) **Date of Patent:** **\*\* Oct. 16, 2018**

(54) **QUADROTOR**

(71) Applicant: **Teal Drones, Inc.**, Salt Lake City, UT (US)

(72) Inventor: **George Michael Matus**, Salt Lake City, UT (US)

(73) Assignee: **TEAL DRONES, INC.**, Salt Lake City, UT (US)

(\*\*) Term: **15 Years**

(21) Appl. No.: **29/569,133**

(22) Filed: **Jun. 23, 2016**

(51) **LOC (11) Cl.** ..... **12-07**

(52) **U.S. Cl.**  
USPC ..... **D12/328**

(58) **Field of Classification Search**  
USPC ..... D12/16.1, 319–324, 326–345; D21/436, D21/441, 443, 444, 446, 447, 448, 449, D21/450, 451, 452, 453  
CPC ..... B64C 1/062; B64C 39/024; B64C 27/08; B64C 29/00; B64C 39/00; B64C 23/00; B64C 27/20

See application file for complete search history.

(56) **References Cited**

**U.S. PATENT DOCUMENTS**

D197,038 S *	12/1963	Howard	.....	D12/329
D458,892 S *	6/2002	DeTore	.....	D12/319
D648,808 S *	11/2011	Seydoux	.....	D21/441
D670,638 S *	11/2012	Goelet	.....	D12/319
D690,255 S *	9/2013	Schutterra	.....	D12/345
D710,452 S *	8/2014	Barajas	.....	D12/16.1
D710,453 S *	8/2014	Barajas	.....	D12/16.1
9,061,763 B1 *	6/2015	Christensen	.....	A63H 17/28
9,099,902 B2 *	8/2015	Chen	.....	H02K 5/225
D760,624 S *	7/2016	Balaresque	.....	D12/16.1
D763,134 S *	8/2016	Wang	.....	D12/16.1
D768,539 S *	10/2016	Lee	.....	D12/16.1

D768,540 S *	10/2016	Ji	.....	D12/16.1
D772,991 S *	11/2016	Caubel	.....	D12/16.1
D782,366 S *	3/2017	Xiao	.....	D12/16.1
9,598,182 B2 *	3/2017	Bradlow	.....	B64D 47/08
D783,727 S *	4/2017	Xiao	.....	D21/441
D784,202 S *	4/2017	Park	.....	D12/16.1
D785,717 S *	5/2017	Xiao	.....	D21/441
D793,482 S *	8/2017	Wang	.....	D12/16.1
D793,486 S *	8/2017	Lee	.....	D21/453
D795,967 S *	8/2017	Haley	.....	D12/16.1

(Continued)

**OTHER PUBLICATIONS**

Teal Drone by Teal on Nvidia. dated 2017. found online [Nov. 22, 2017] <https://developer.nvidia.com/embedded/community/reference-platforms/teal-drone>.\*

(Continued)

*Primary Examiner* — Brandon M Rosati

*Assistant Examiner* — Marissa J Cash

(74) *Attorney, Agent, or Firm* — Workman Nydegger

(57) **CLAIM**

The ornamental design for a quadrotor, as shown and described.

**DESCRIPTION**

FIG. 1 is a top perspective view of an embodiment of a quadrotor;

FIG. 2 is a bottom perspective view thereof;

FIG. 3 is a top plan view thereof;

FIG. 4 is a bottom plan view thereof;

FIG. 5 is a left side elevation view thereof;

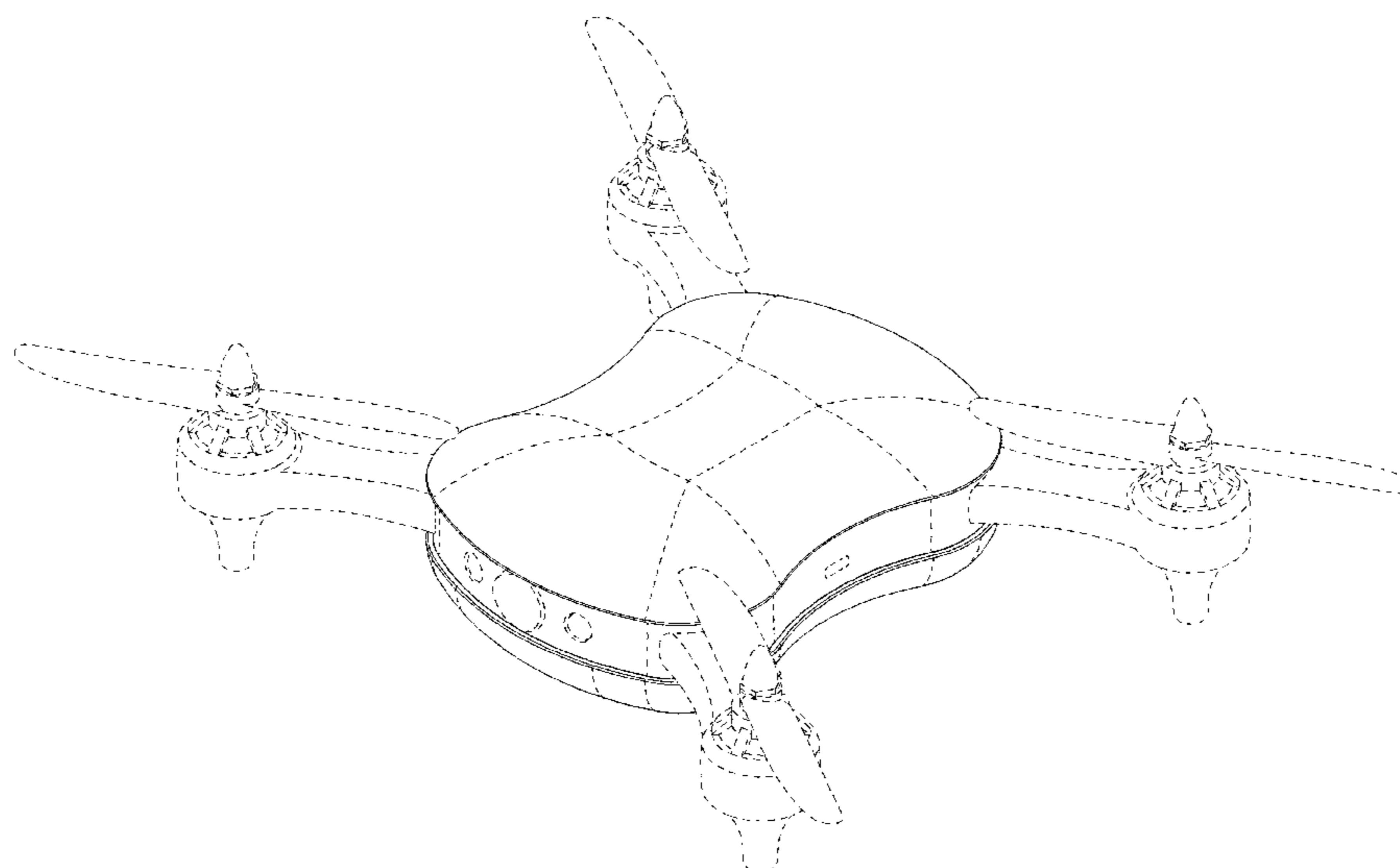
FIG. 6 is a right side elevation view thereof;

FIG. 7 is a front elevation view thereof; and,

FIG. 8 is a back elevation view thereof.

Objects shown in broken lines are shown for environmental purposes only and form no part of the claimed design.

**1 Claim, 6 Drawing Sheets**



(56)

**References Cited**

U.S. PATENT DOCUMENTS

2014/0117149 A1\* 5/2014 Zhou ..... A63H 27/12  
244/17.23  
2015/0051755 A1\* 2/2015 Erhart ..... A63H 27/12  
701/2  
2015/0129711 A1\* 5/2015 Caubel ..... B64C 27/08  
244/17.23  
2015/0336670 A1\* 11/2015 Zhang ..... B64C 1/00  
244/119  
2016/0001879 A1\* 1/2016 Johannesson ..... B64C 27/50  
416/142  
2016/0107094 A1\* 4/2016 Ji ..... A63H 30/02  
463/2  
2016/0122017 A1\* 5/2016 Welker ..... B64C 39/024  
244/17.23  
2016/0290809 A1\* 10/2016 Eline ..... B64C 39/024  
2017/0015418 A1\* 1/2017 Matus ..... B64C 39/024  
2017/0075360 A1\* 3/2017 Von Novak ..... G05D 1/042  
2017/0084181 A1\* 3/2017 Wilson ..... G08G 5/0069

OTHER PUBLICATIONS

Teal Camera Drone by Teal. dated 2017. found online [Nov. 22, 2017] <https://shop.tealdrones.com/>.\*

\* cited by examiner

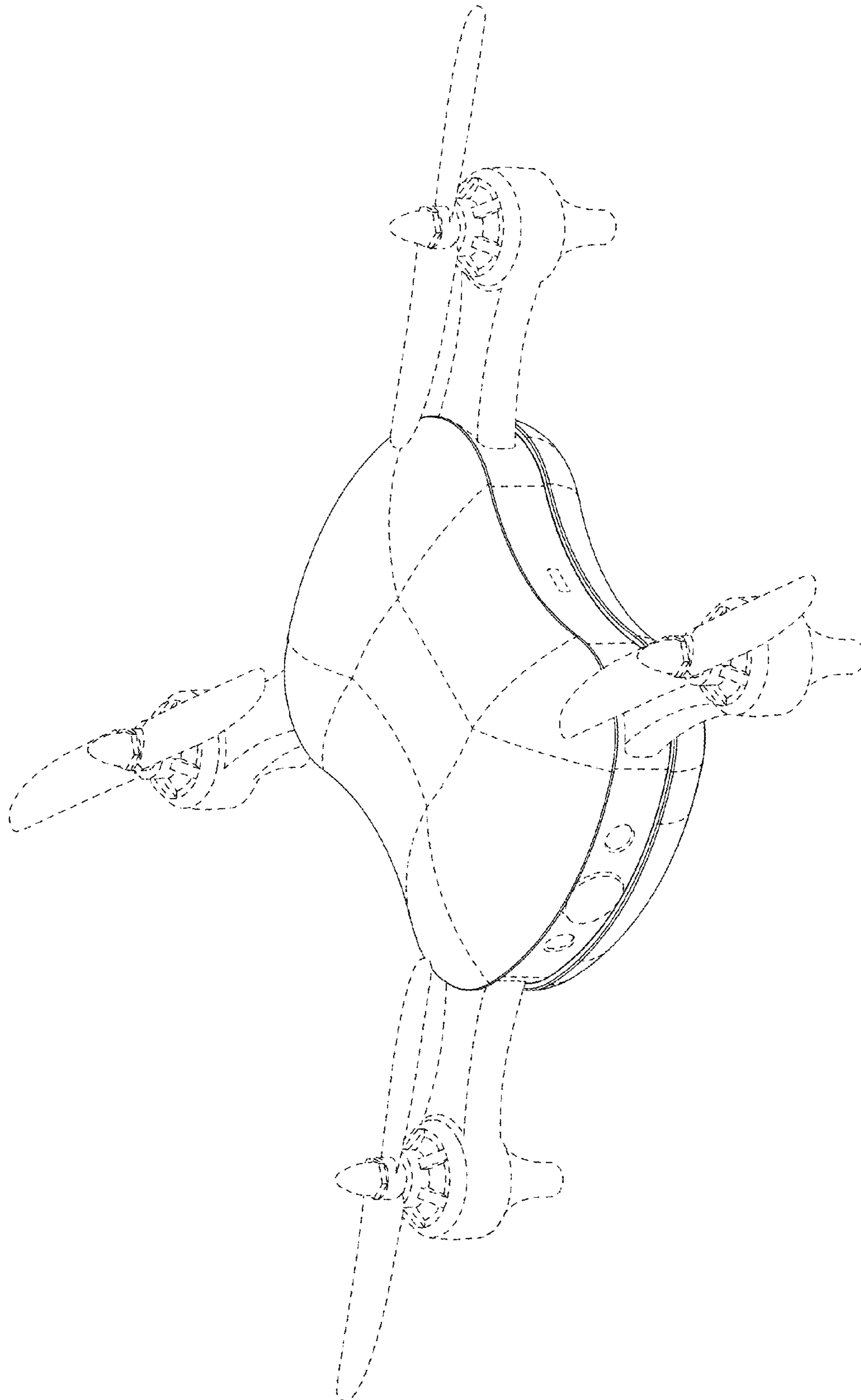


FIG. 1

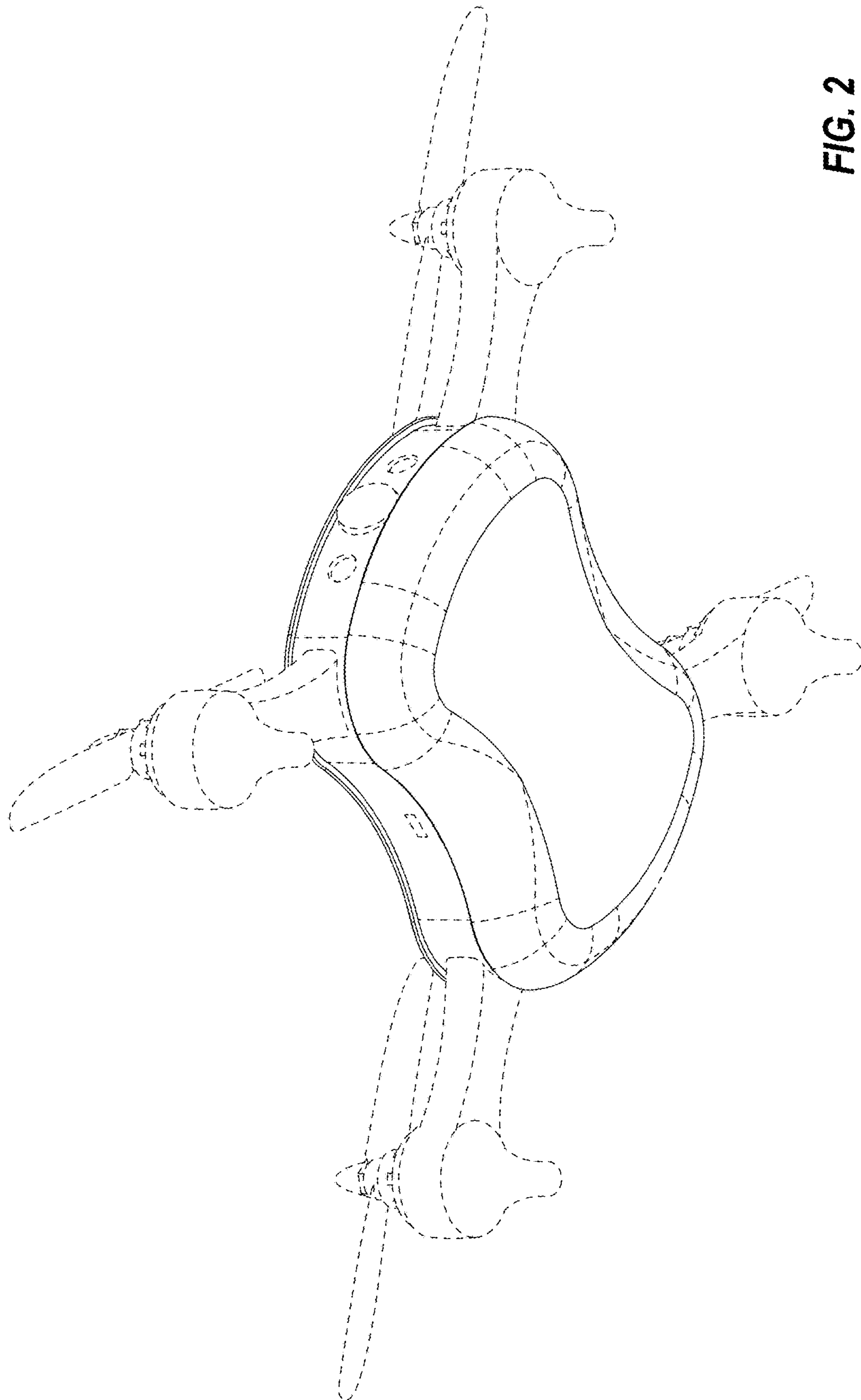


FIG. 2

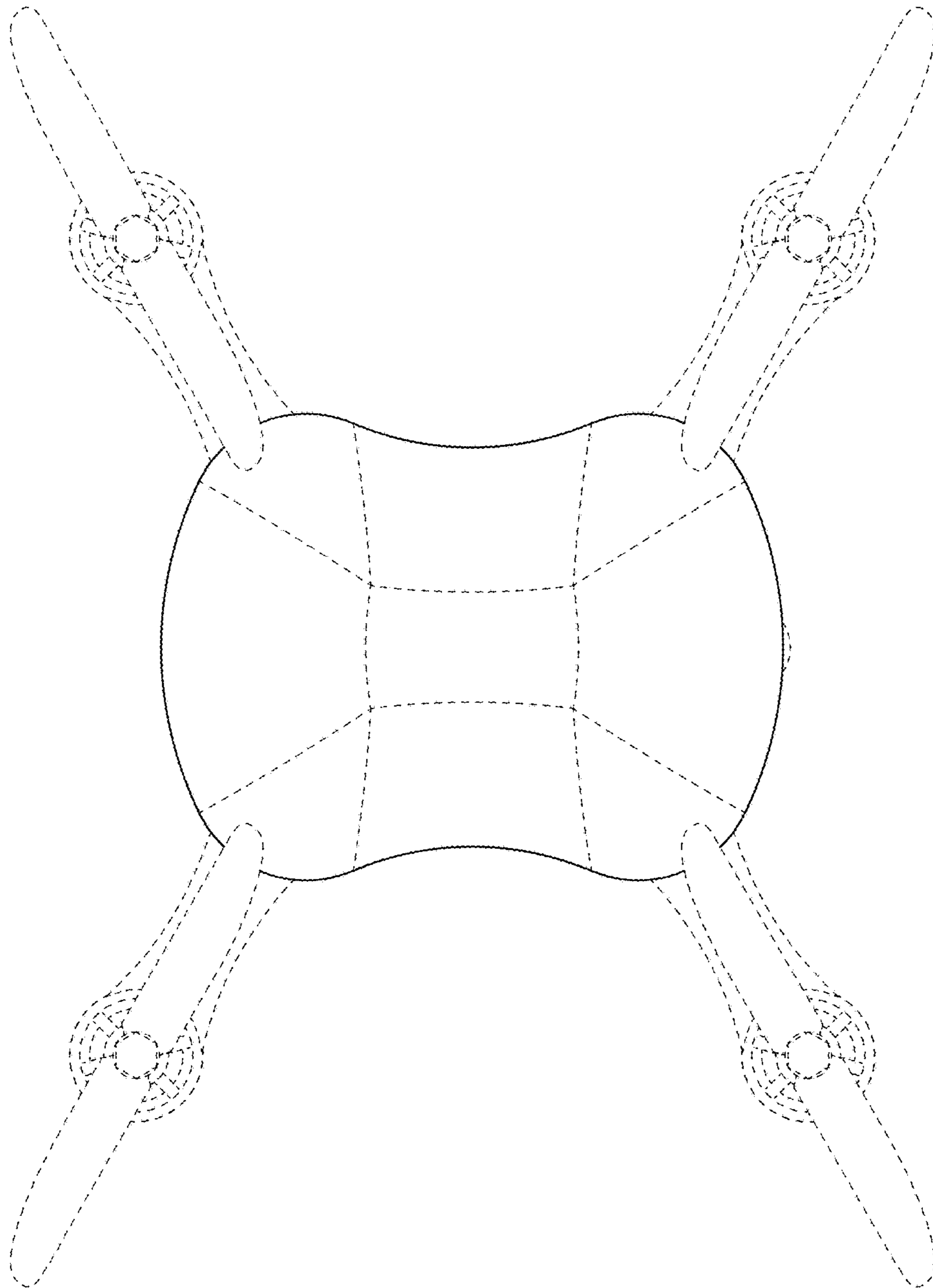


FIG. 3

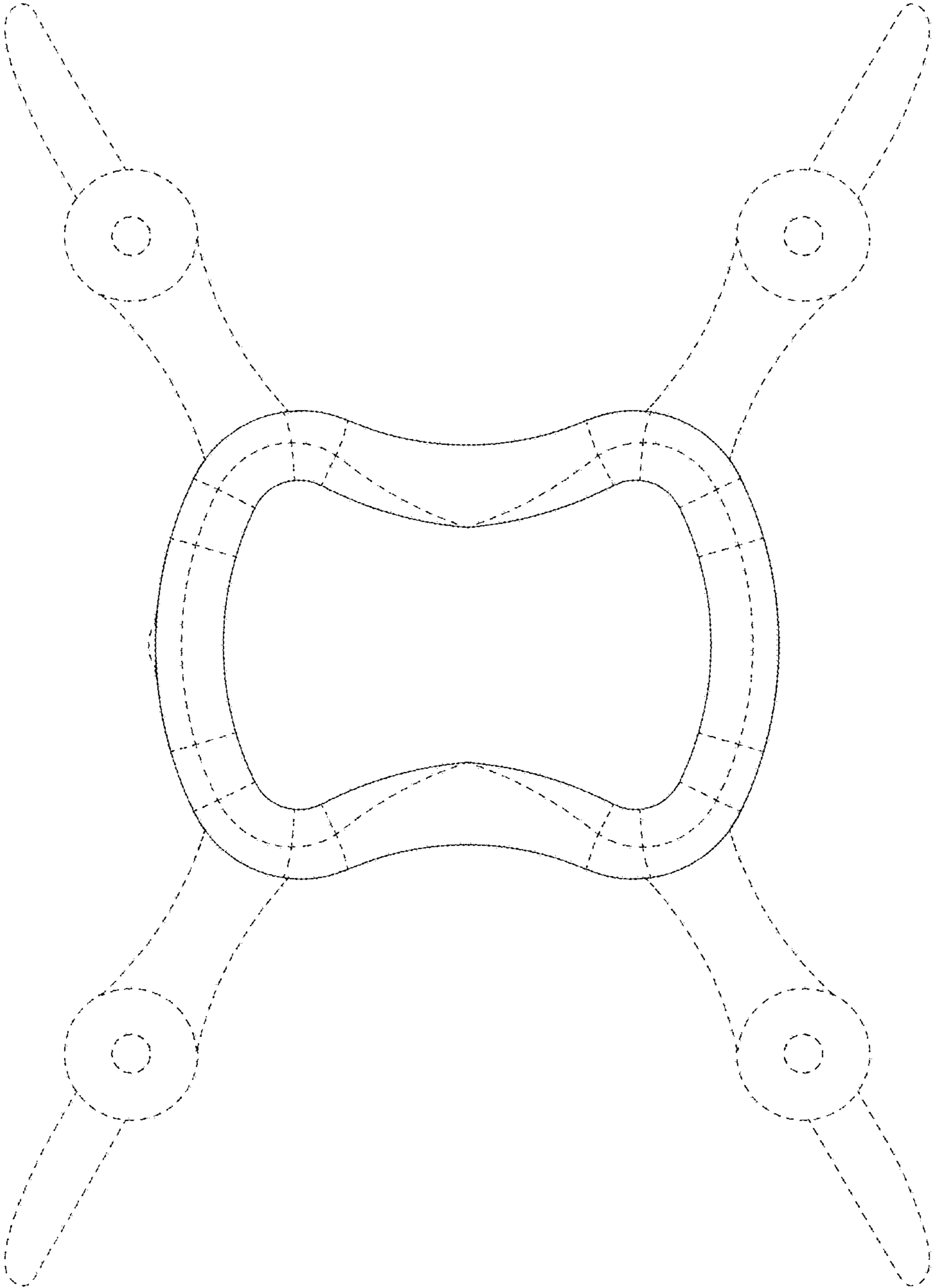


FIG. 4

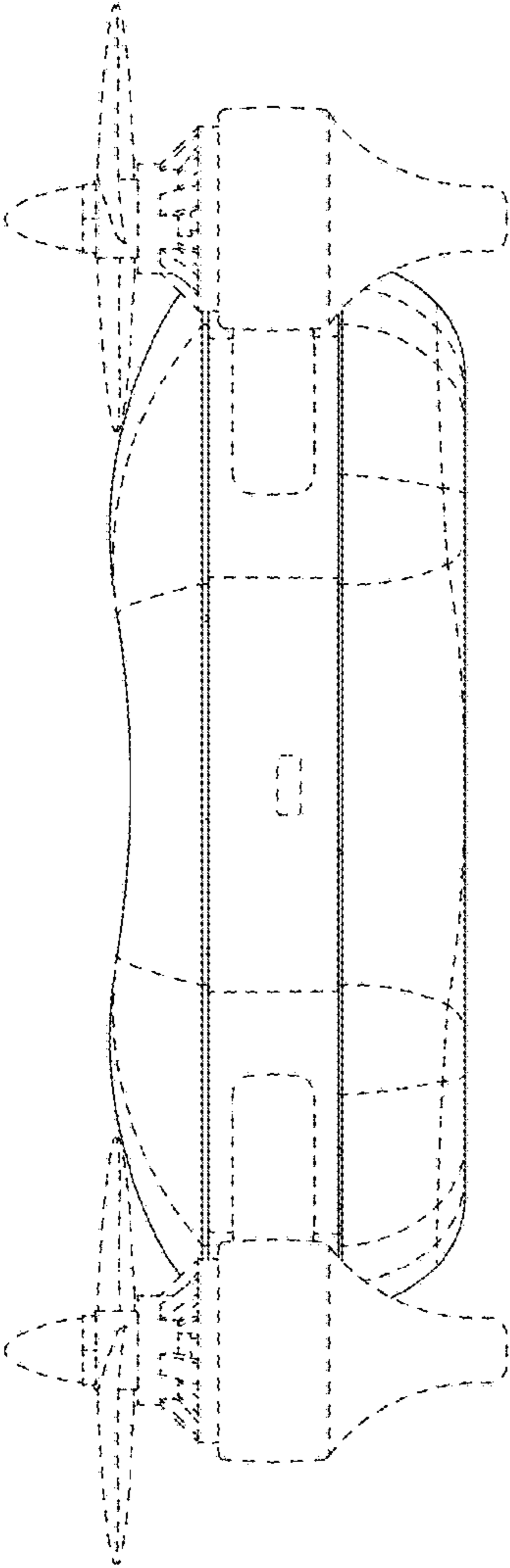


FIG. 5

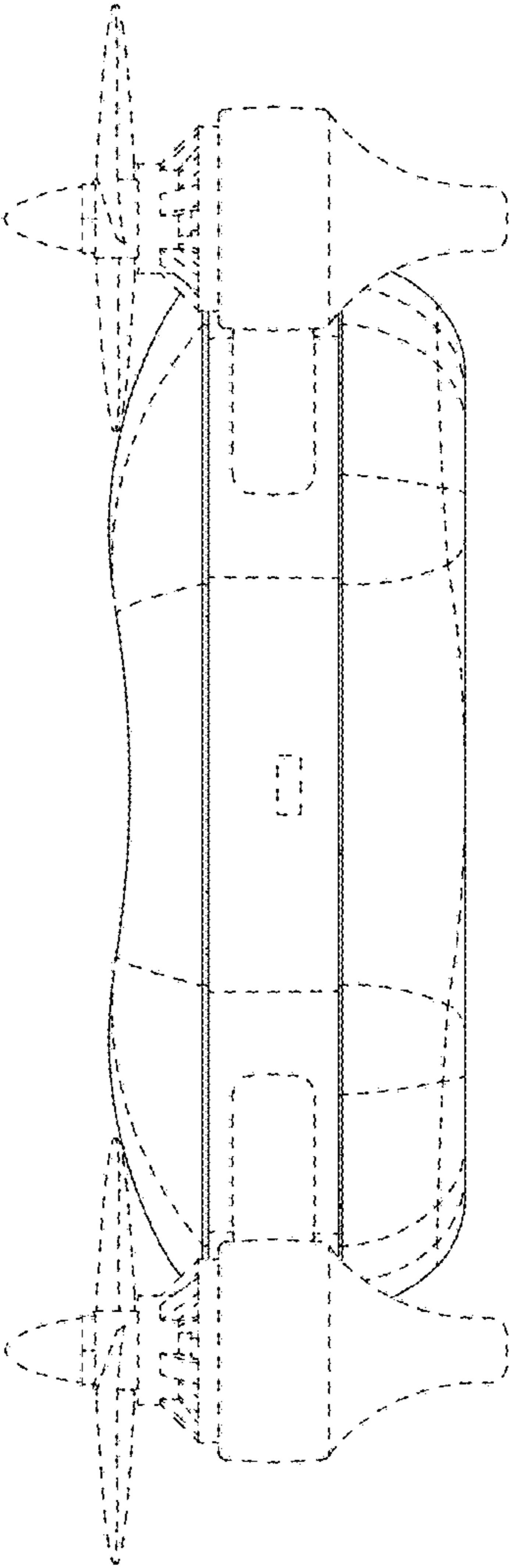


FIG. 6

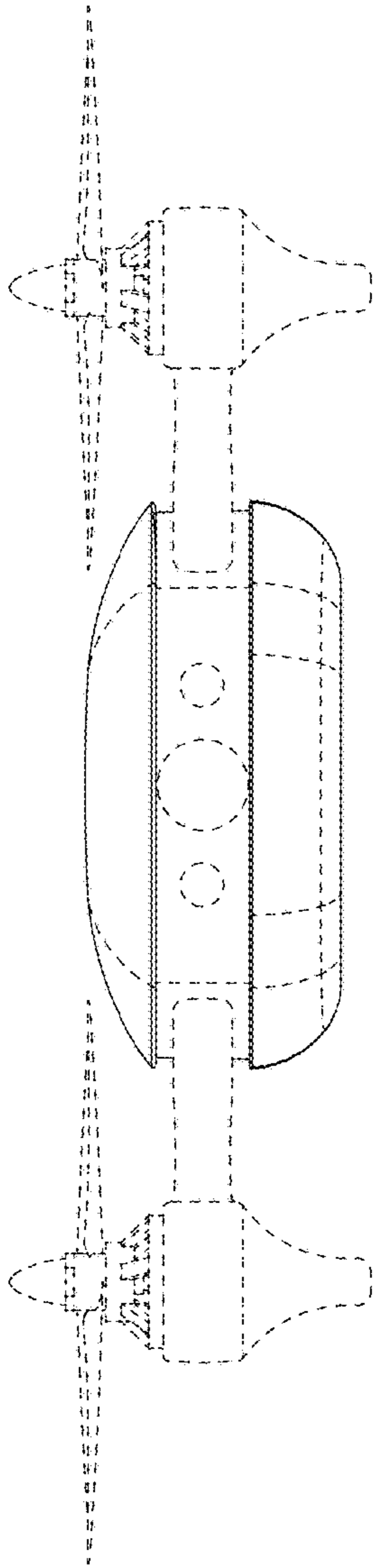


FIG. 7

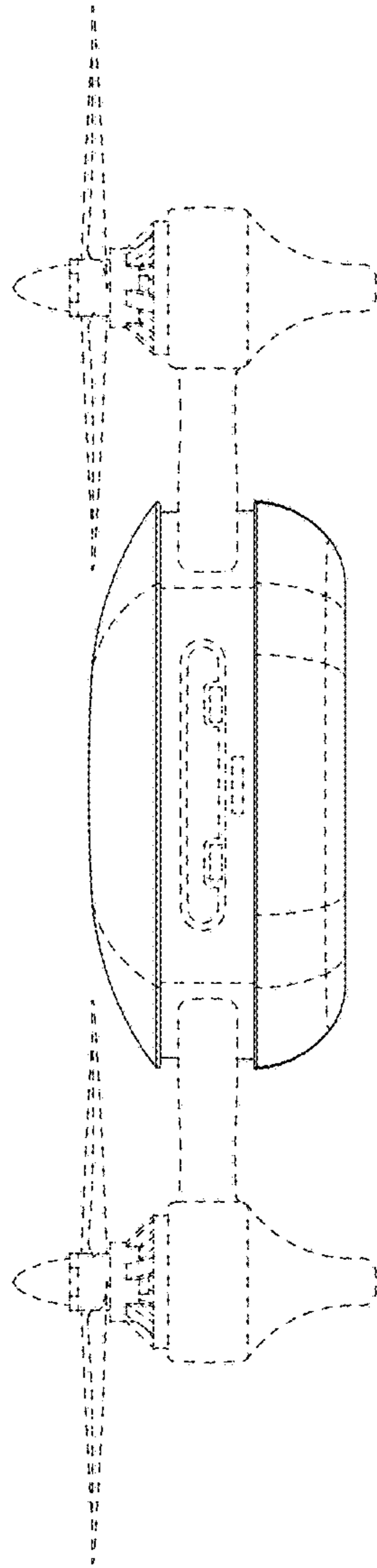


FIG. 8