



US00D830945S

(12) **United States Design Patent**
O'Neal

(10) **Patent No.:** **US D830,945 S**

(45) **Date of Patent:** **** Oct. 16, 2018**

- (54) **BOAT SEAT ACCESSORY STAND**
- (71) Applicant: **James E. O'Neal**, Marietta, GA (US)
- (72) Inventor: **James E. O'Neal**, Marietta, GA (US)
- (**) Term: **15 Years**
- (21) Appl. No.: **29/593,602**
- (22) Filed: **Feb. 10, 2017**
- (51) **LOC (11) Cl.** **12-06**
- (52) **U.S. Cl.**
USPC **D12/317**
- (58) **Field of Classification Search**
USPC D3/10, 13; D22/147; D6/702; D12/223,
D12/300-318
CPC B63B 29/04; B63B 29/06; A01K 97/10;
A01K 97/22; A45B 2023/0012; A47C
7/62; A47C 7/66
See application file for complete search history.

- 6,105,594 A * 8/2000 Diaz A45B 11/00
135/16
- D524,451 S * 7/2006 Morris D25/41.1
- 7,882,795 B1 * 2/2011 Snyder B63B 29/04
114/363
- 9,357,756 B2 * 6/2016 Davis A01K 97/04
- 9,555,862 B1 * 1/2017 Sutherland B63B 17/04
- 2003/0097972 A1 * 5/2003 Keller B63B 17/02
114/363
- 2006/0272688 A1 * 12/2006 McWhorter A45B 11/00
135/16

* cited by examiner

Primary Examiner — Cynthia M. Chin

(74) *Attorney, Agent, or Firm* — Jones IP Law, LLC;
Dennis W. Jones

(57) **CLAIM**

The ornamental design for a boat seat accessory stand, as shown and described.

DESCRIPTION

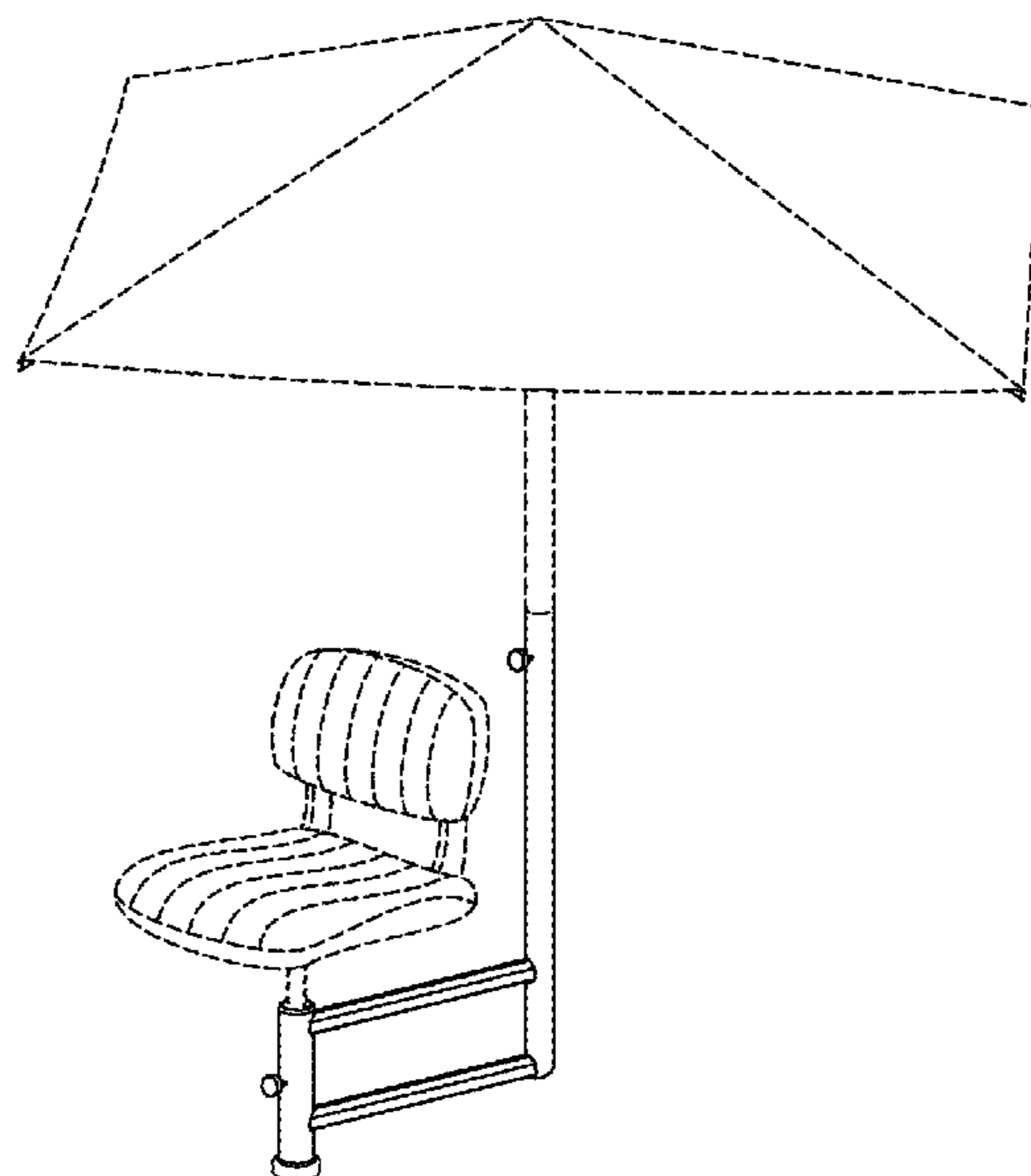
FIG. 1 is a perspective view of a boat seat accessory stand;
 FIG. 2 is a side view thereof;
 FIG. 3 is a front view thereof;
 FIG. 4 is a rear view thereof;
 FIG. 5 is a top view thereof
 FIG. 6 is a bottom view thereof;
 FIG. 7 is a perspective view thereof with an attached umbrella; and,
 FIG. 8 is a perspective view thereof with an attached umbrella and secured to a boat.
 The broken lines in FIG. 6 form no part of the claimed design.
 The broken lines in FIG. 7 and FIG. 8 are included for the purpose of illustrating the environment in which the article resides and form no part of the claimed design.

1 Claim, 5 Drawing Sheets

(56) **References Cited**

U.S. PATENT DOCUMENTS

- 923,596 A * 6/1909 Staples A47C 7/66
135/16
- 3,851,916 A * 12/1974 Quartullo A01K 97/22
114/363
- 4,460,216 A * 7/1984 Keller A01K 97/22
248/416
- 4,645,167 A * 2/1987 Hardwick B63B 29/04
248/283.1
- 4,766,838 A * 8/1988 Johnson B63B 29/04
114/363
- D329,761 S * 9/1992 Pieper 211/62
- D371,595 S * 7/1996 Pieper D22/147
- D399,367 S * 10/1998 Sieland D22/147
- 5,992,804 A * 11/1999 Johnson B63B 29/06
114/363



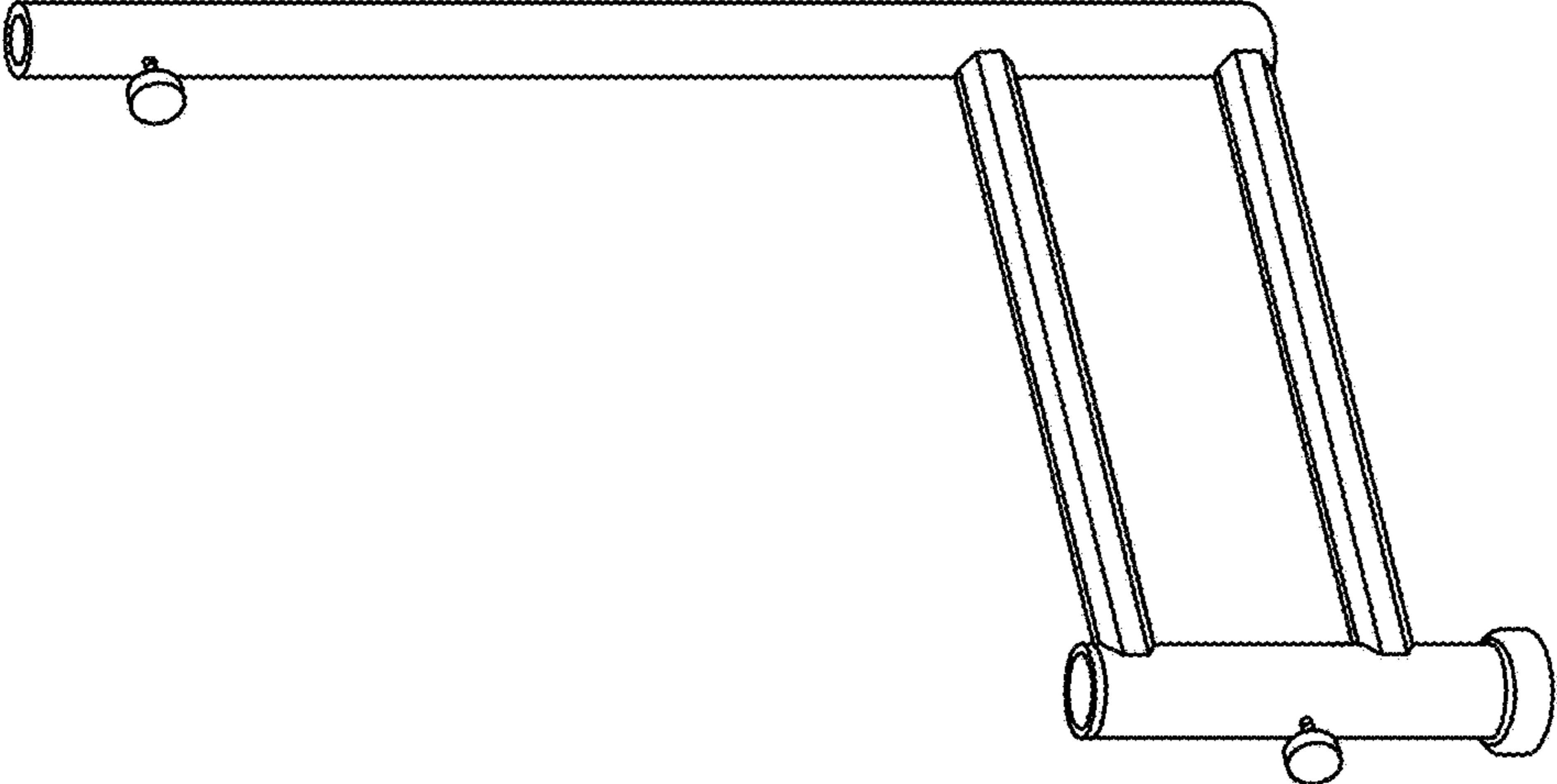


Fig. 1

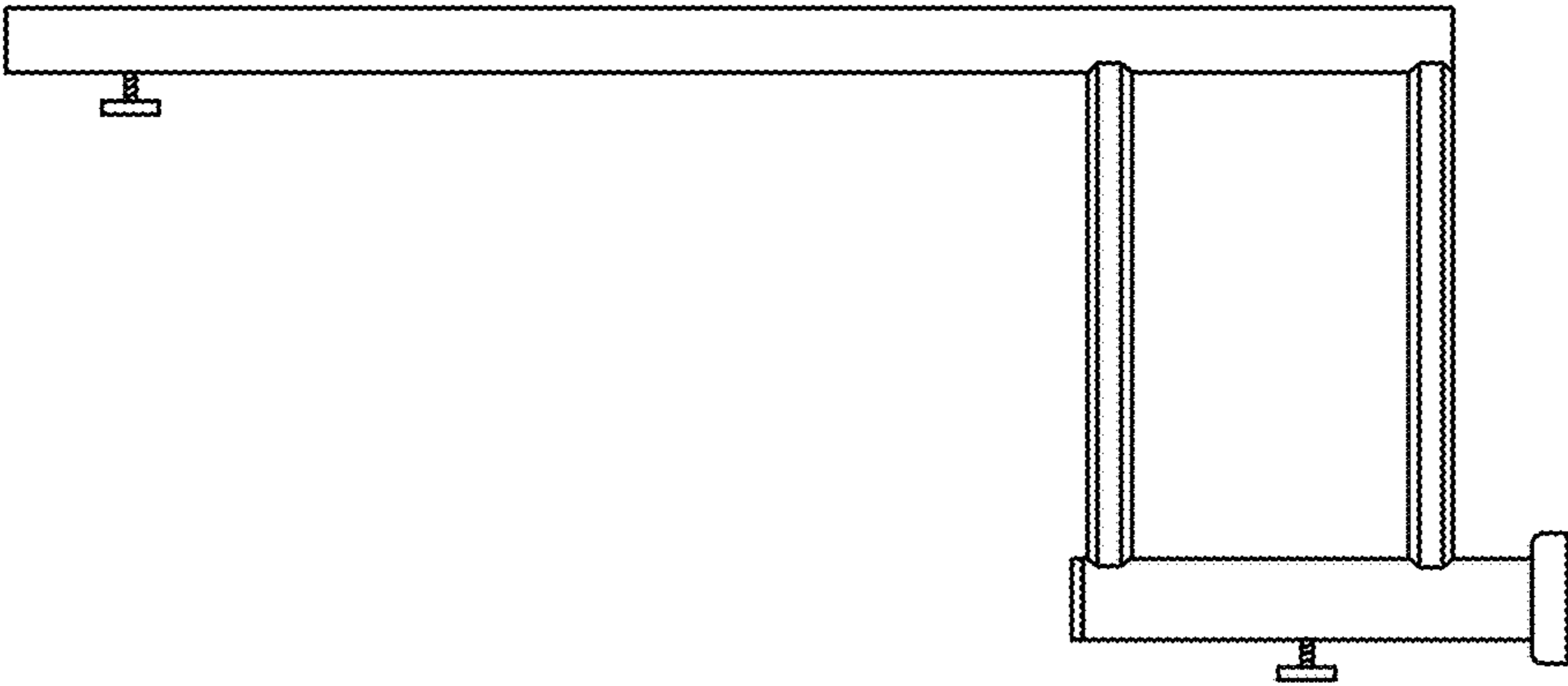


Fig. 2

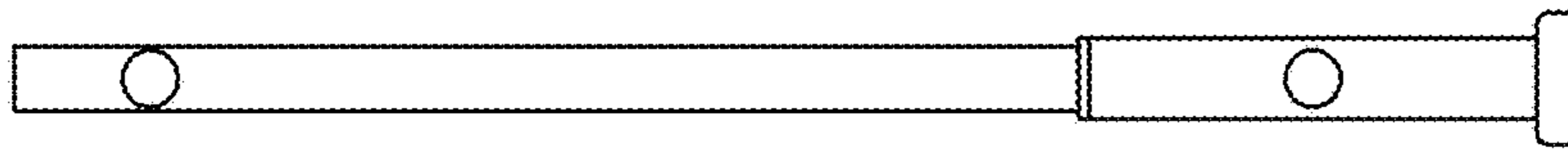


Fig. 3

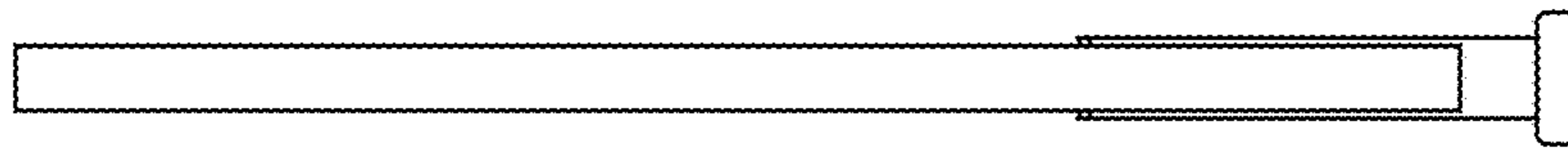


Fig. 4

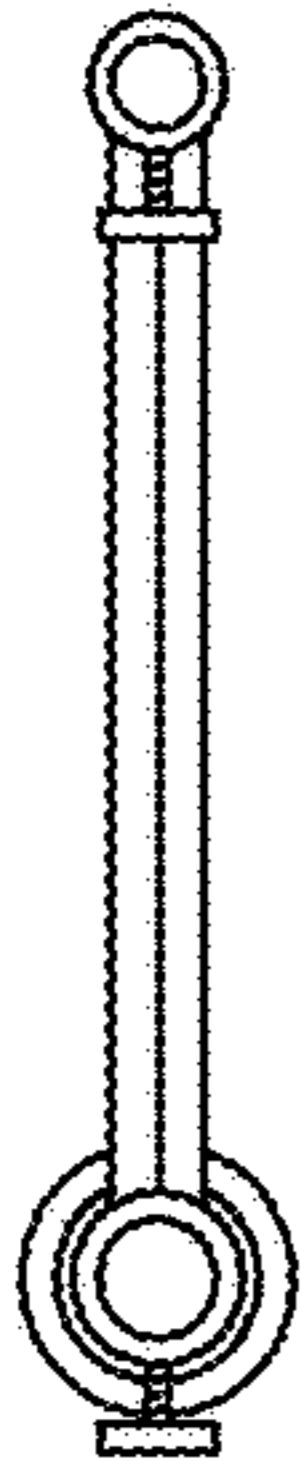


Fig. 5

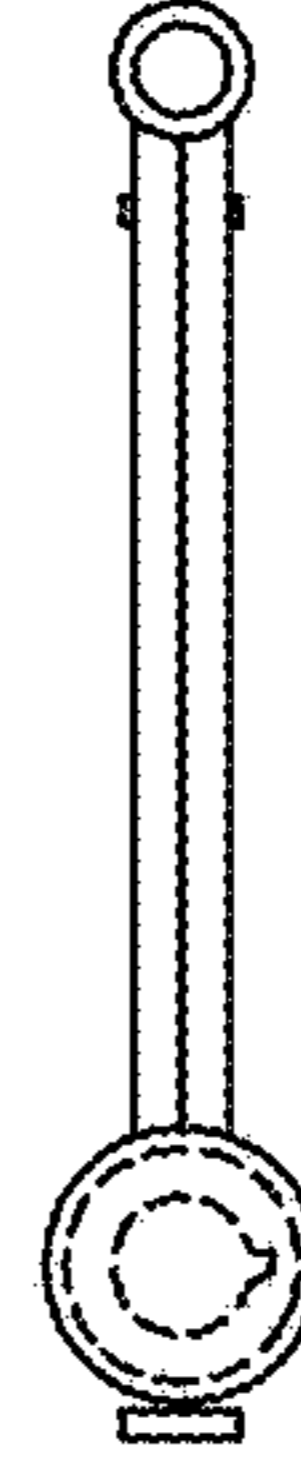


Fig. 6

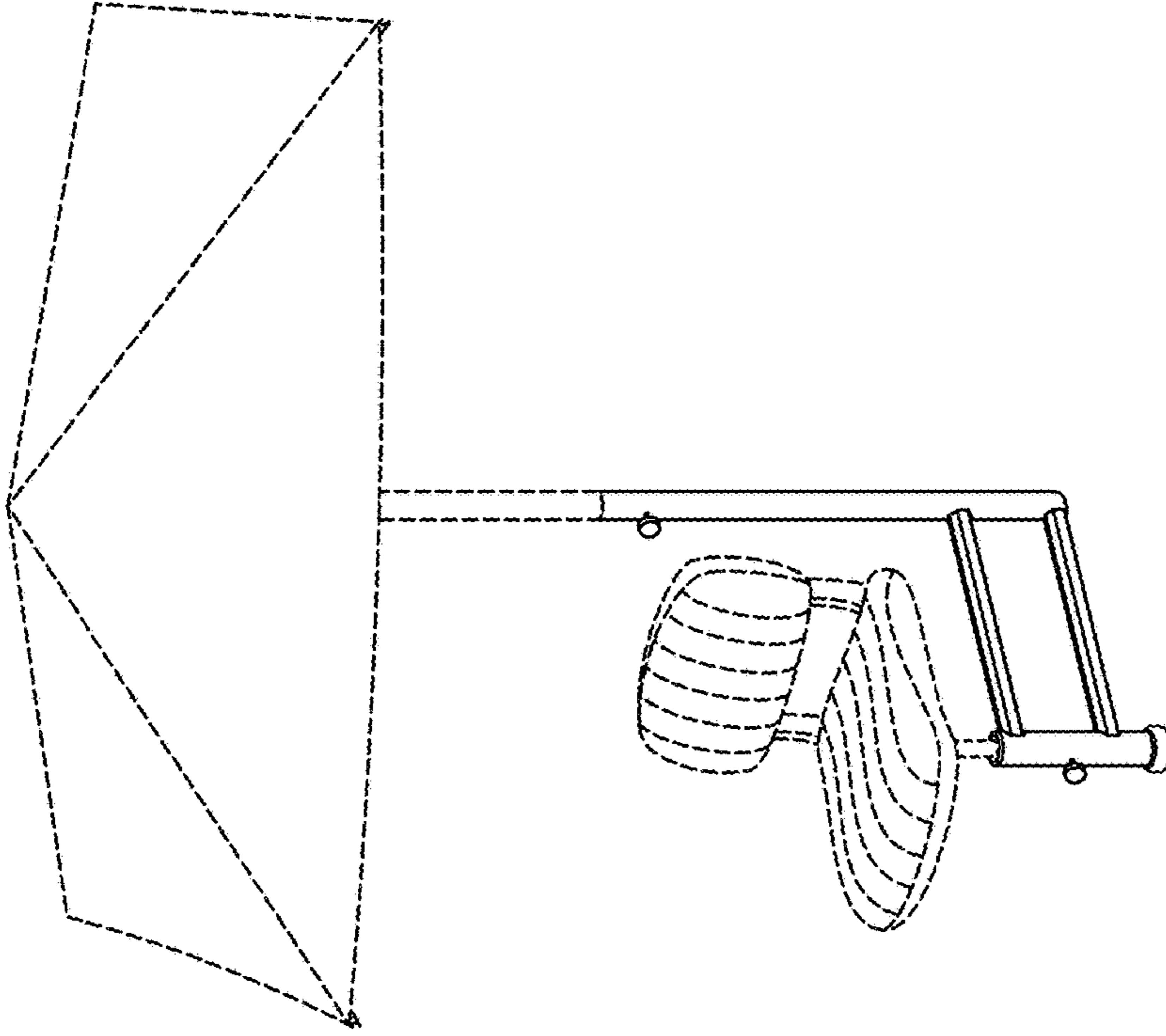


Fig. 7

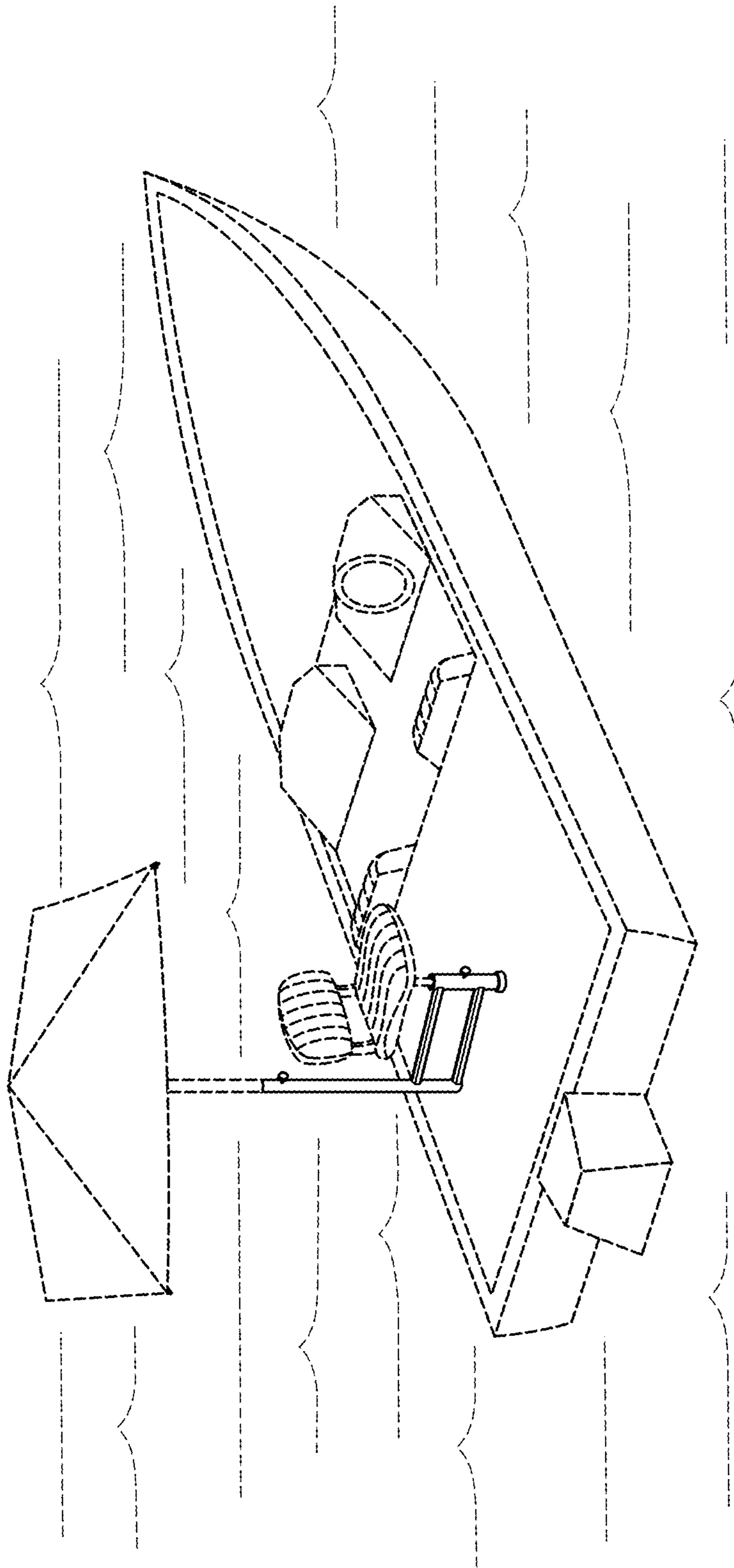


Fig. 8