



US00D830944S

(12) **United States Design Patent** (10) **Patent No.:** **US D830,944 S**  
**Deurr** (45) **Date of Patent:** **\*\* Oct. 16, 2018**

(54) **COMBINED HELM AND SEATING ARRANGEMENT FOR MARINE VEHICLE**

2014/0216327 A1\* 8/2014 Chen ..... B63B 17/00  
114/363

\* cited by examiner

(71) Applicant: **Premier Marine, Inc.**, Wyoming, MN (US)

*Primary Examiner* — Cynthia M. Chin

(72) Inventor: **John Deurr**, Stacy, MN (US)

(74) *Attorney, Agent, or Firm* — Shumaker & Sieffert, P.A.

(73) Assignee: **Premier Marine, Inc.**, Wyoming, MN (US)

(57) **CLAIM**

The ornamental design for the combined helm and seating arrangement for marine vehicle, as shown and described.

(\*\*) Term: **15 Years**

**DESCRIPTION**

(21) Appl. No.: **29/577,109**

FIG. 1 is an isometric view of the combined helm and seating arrangement for marine vehicle, illustrated in the environment of a marine vehicle;

(22) Filed: **Sep. 9, 2016**

FIG. 2 is a front isometric view of the combined helm and seating arrangement for marine vehicle, illustrated apart from the environment of a marine vehicle;

(51) **LOC (11) Cl.** ..... **12-06**

(52) **U.S. Cl.**

USPC ..... **D12/317**

(58) **Field of Classification Search**

USPC ..... **D12/300–318**

CPC ..... **B63B 2029/43; B63B 29/02; B63B 29/04**

See application file for complete search history.

FIG. 3 is a rear isometric view of the combined helm and seating arrangement for marine vehicle of FIG. 2;

FIG. 4 is a front view of the combined helm and seating arrangement for marine vehicle of FIG. 2;

FIG. 5 is a rear view of the combined helm and seating arrangement for marine vehicle of FIG. 2;

FIG. 6 is a right side view of the combined helm and seating arrangement for marine vehicle of FIG. 2;

FIG. 7 is a left side view of the combined helm and seating arrangement for marine vehicle of FIG. 2; and,

FIG. 8 is a top view of the combined helm and seating arrangement for marine vehicle of FIG. 2.

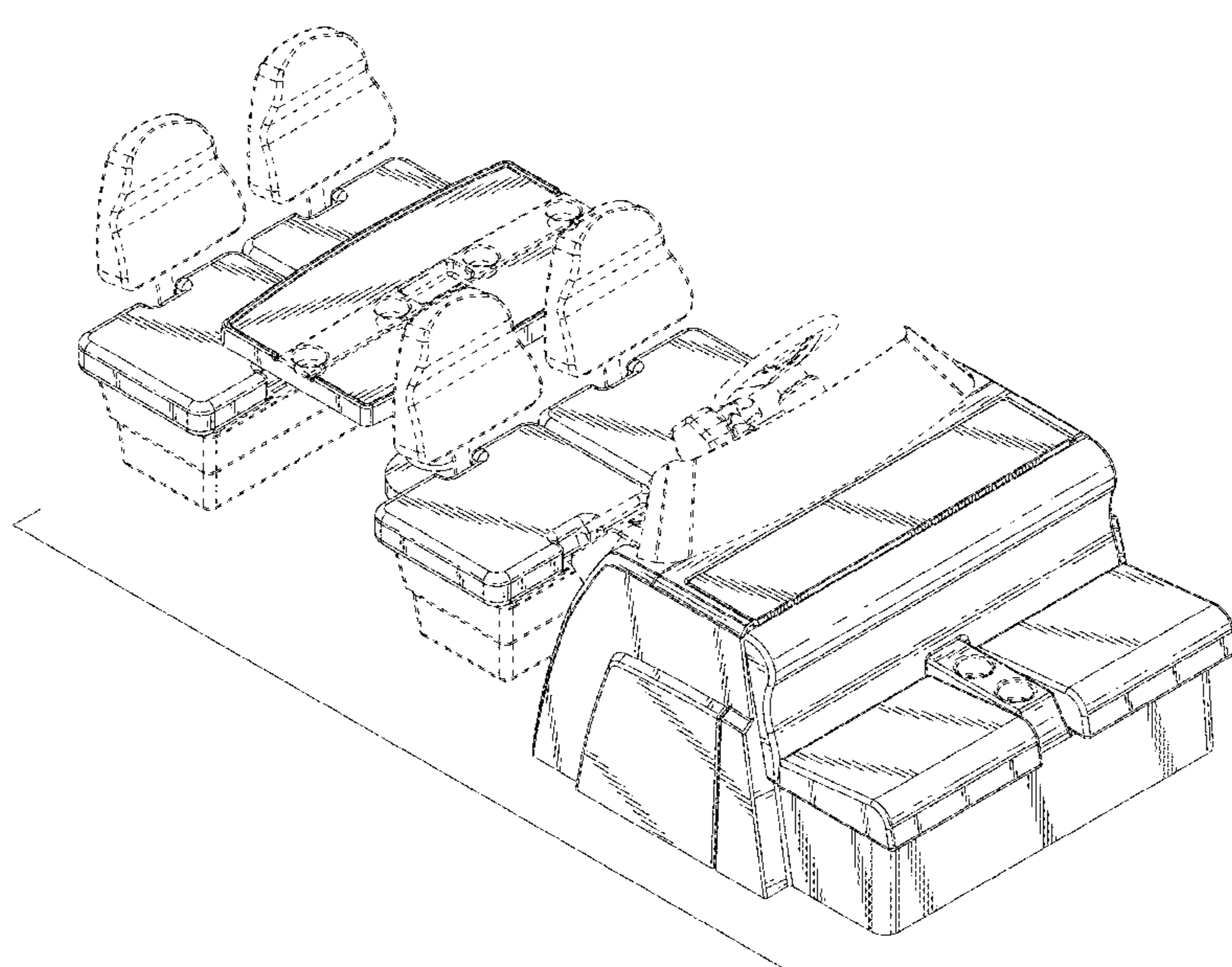
The broken lines of FIGS. 1-8 are provided for the purpose of illustrating portions of the article that form no part of the claimed design of the present application. Brackets are shown to illustrate association of elements, but the brackets form no part of the claimed design of the present application.

(56) **References Cited**

**U.S. PATENT DOCUMENTS**

D249,137 S *	8/1978	Hoyt	.....	D12/300
D259,480 S *	6/1981	Bednar	.....	D12/318
5,105,755 A *	4/1992	Davidson	.....	B63B 17/04 114/120
D341,811 S *	11/1993	Pepper	.....	D12/300
5,279,249 A *	1/1994	Pepper	.....	B63B 3/18 114/355
D464,601 S *	10/2002	Aube	.....	D12/300
D467,859 S *	12/2002	Aube	.....	D12/300
D761,714 S *	7/2016	Braver	.....	D12/317
D773,374 S *	12/2016	Braver	.....	D12/318

**1 Claim, 8 Drawing Sheets**



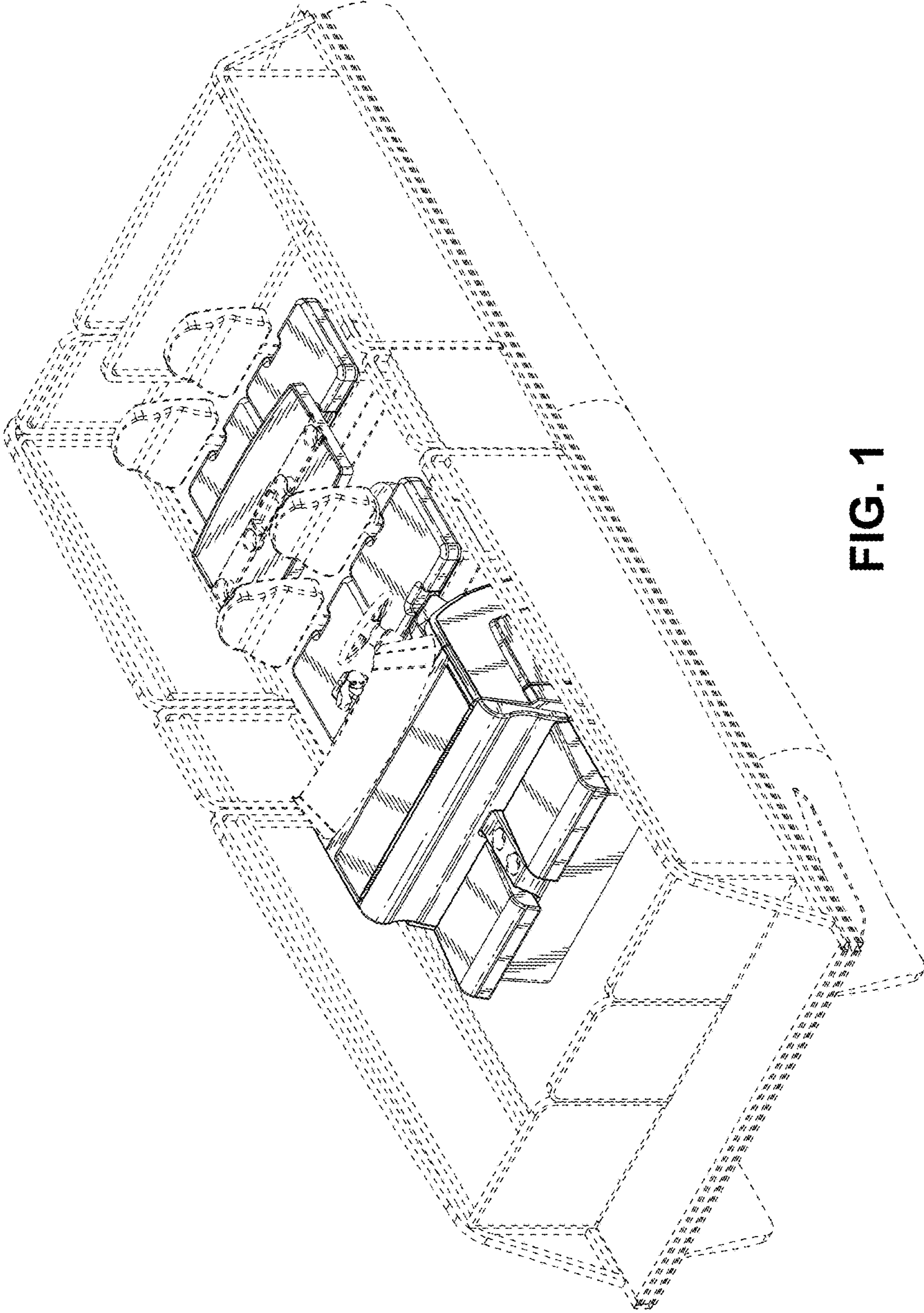


FIG. 1

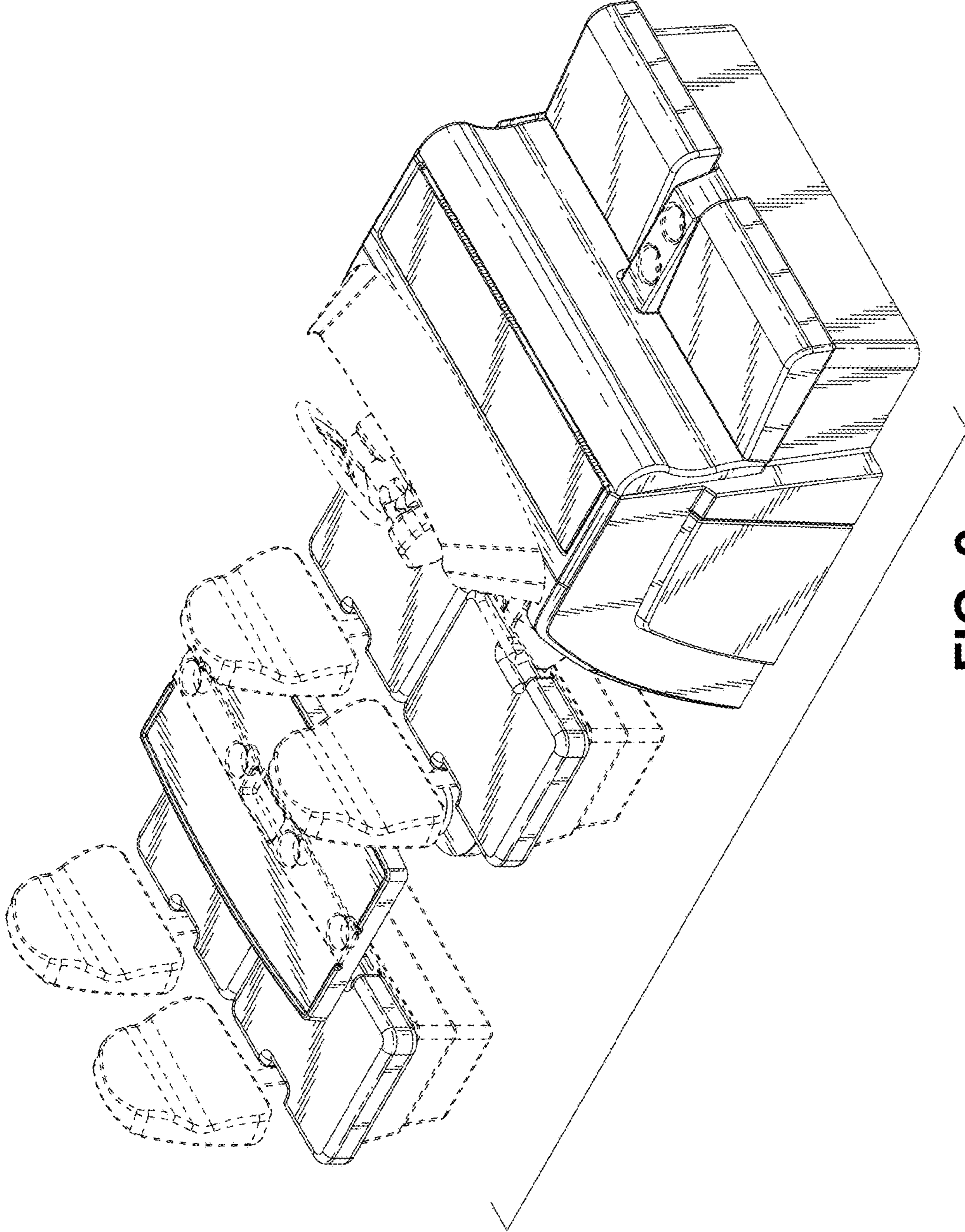


FIG. 2

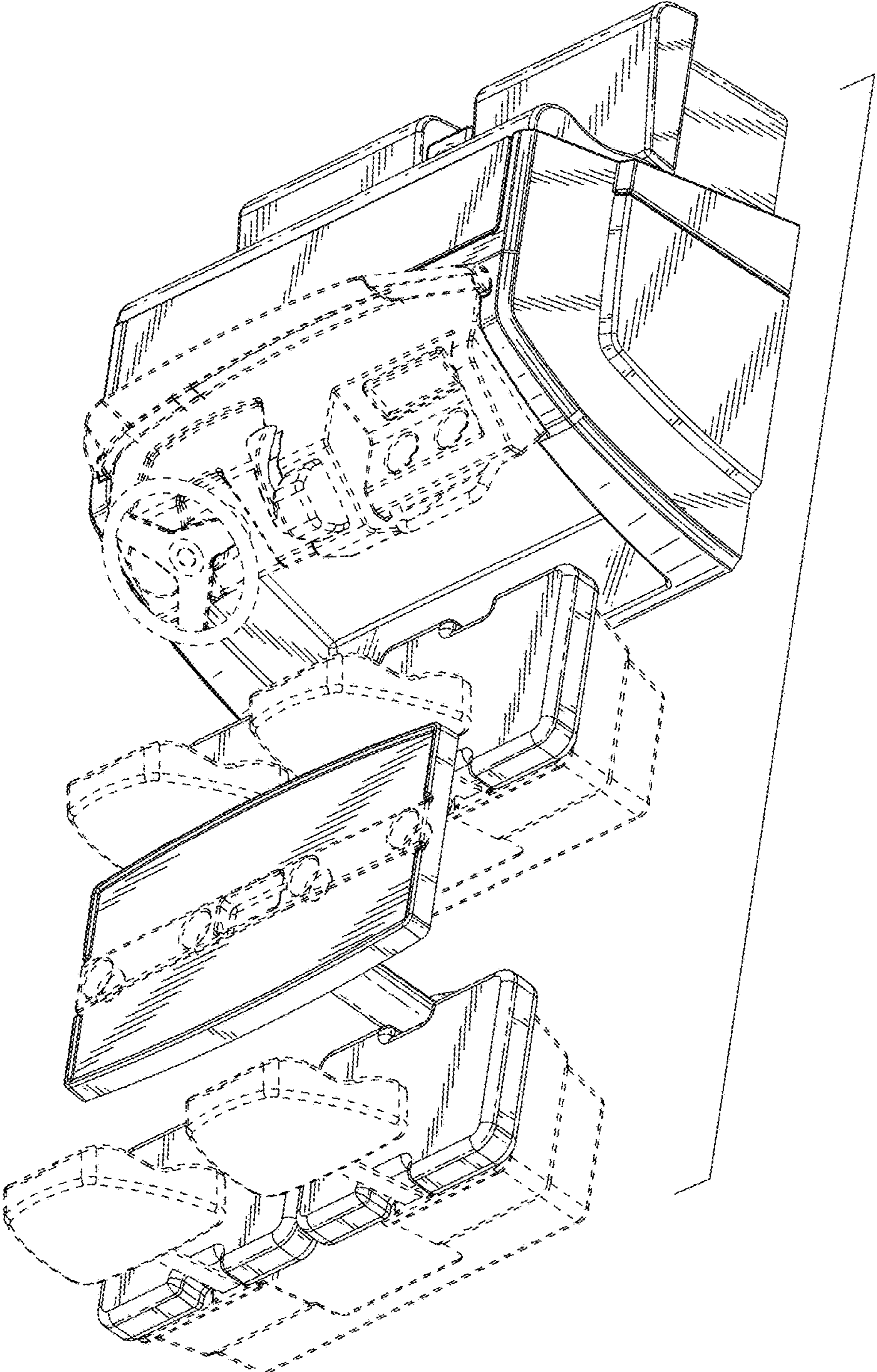


FIG. 3

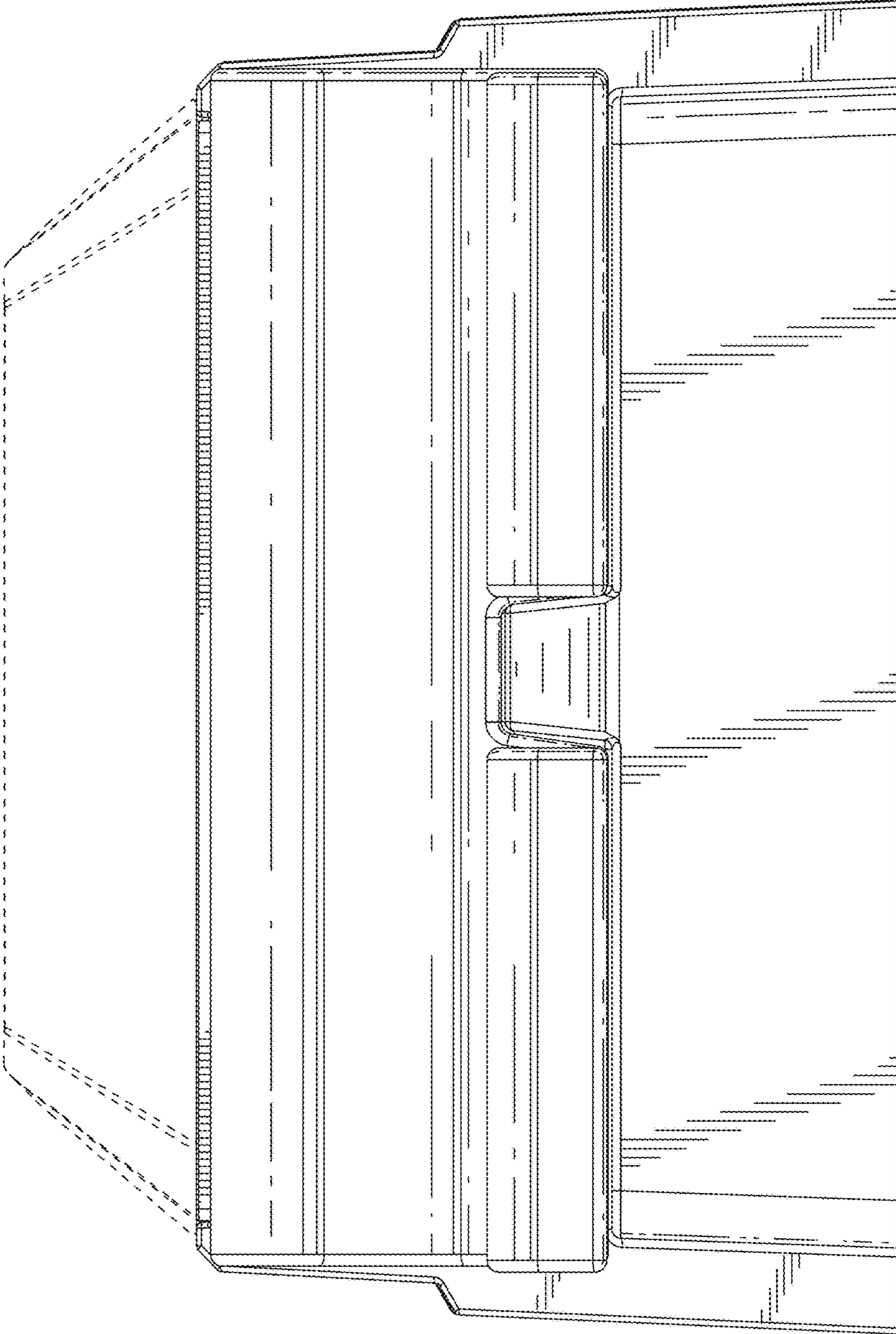


FIG. 4

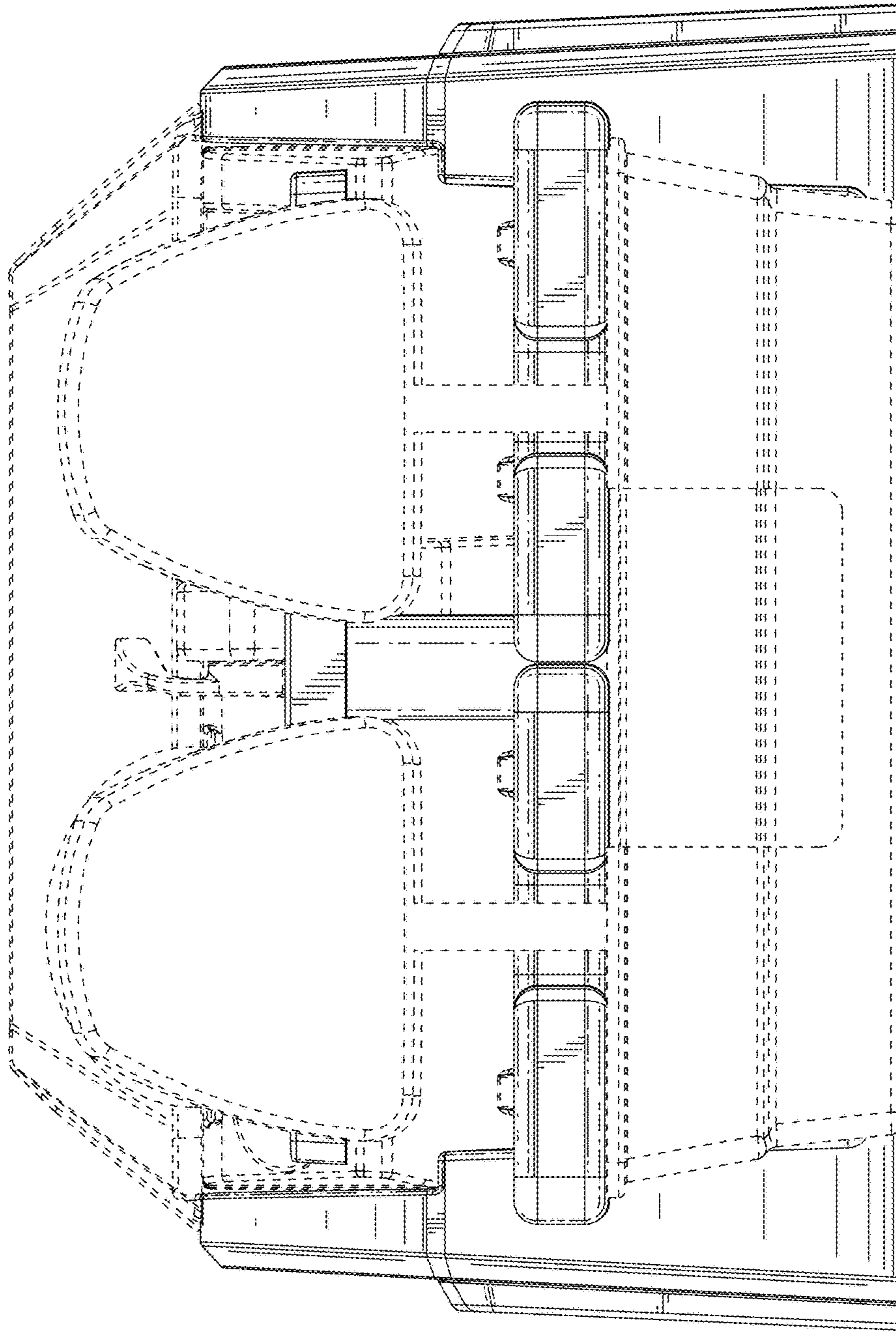


FIG. 5

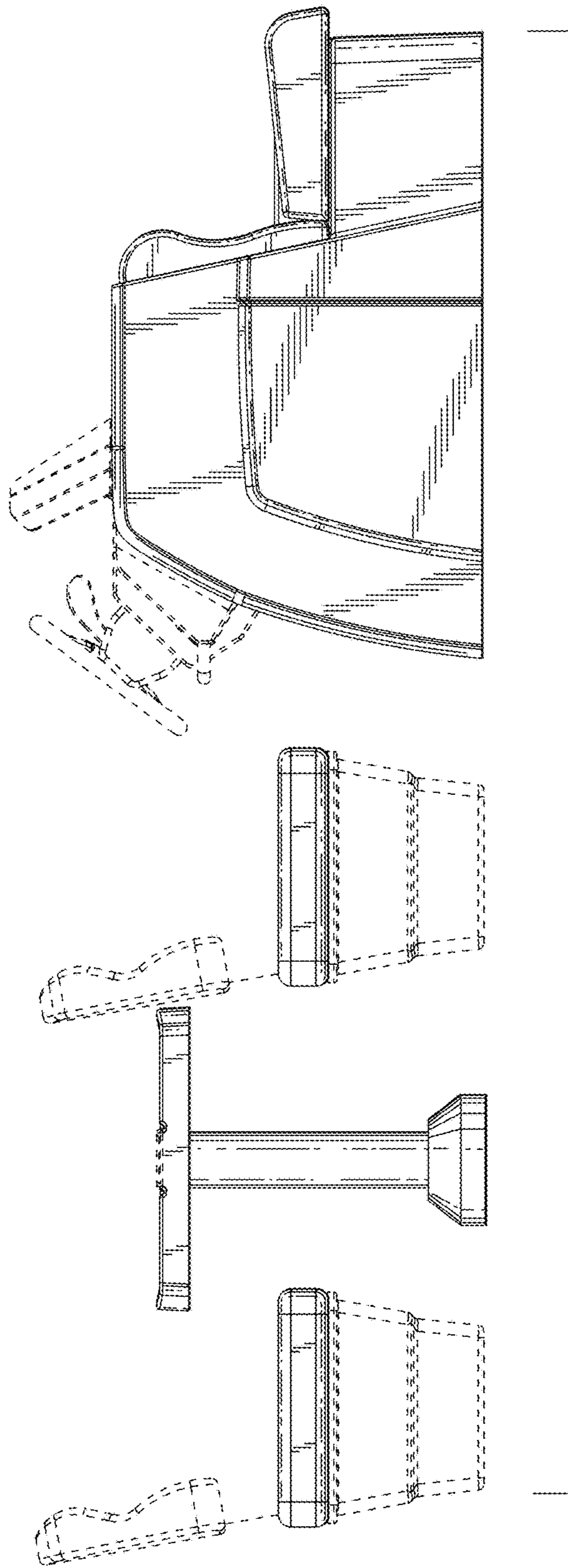


FIG. 6

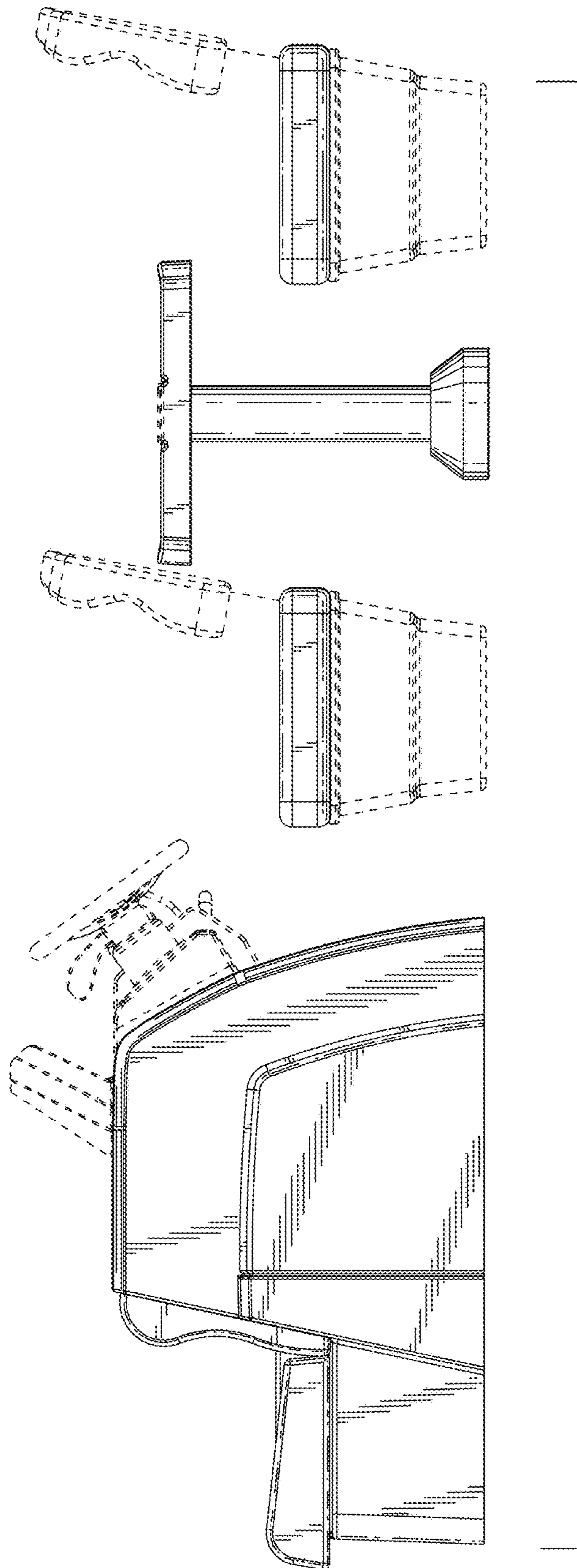


FIG. 7



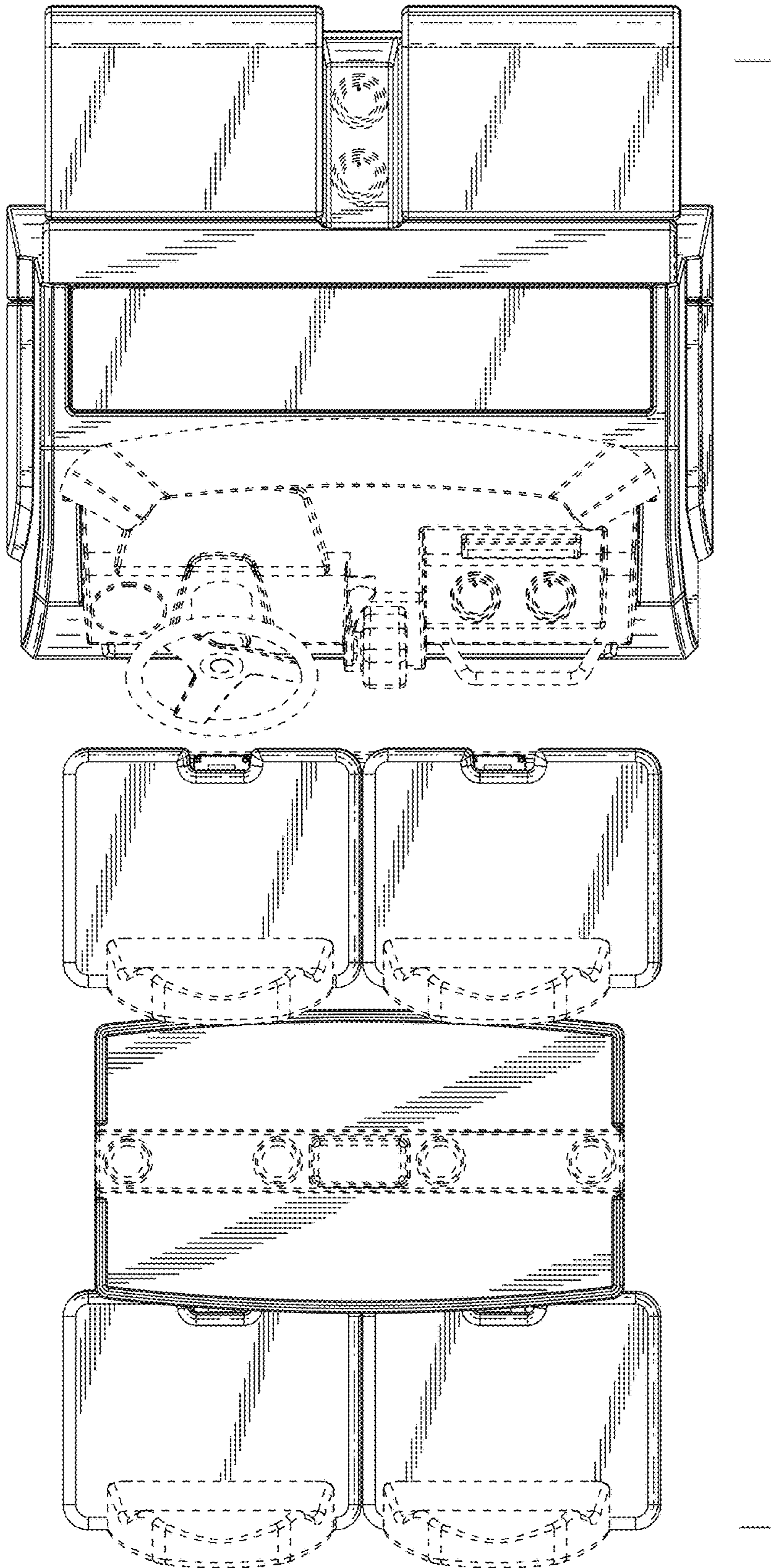


FIG. 8