



US00D830941S

(12) **United States Design Patent**
Hamilton

(10) **Patent No.:** **US D830,941 S**

(45) **Date of Patent:** **** Oct. 16, 2018**

(54) **WHEEL**

(71) Applicant: **Stephen Hamilton**, St. Charles, IL (US)

(72) Inventor: **Stephen Hamilton**, St. Charles, IL (US)

(**) Term: **15 Years**

(21) Appl. No.: **29/619,667**

(22) Filed: **Sep. 29, 2017**

(51) **LOC (11) Cl.** **12-16**

(52) **U.S. Cl.**
USPC **D12/211**

(58) **Field of Classification Search**
USPC D12/204–213
CPC B60B 7/00; B60B 7/02; B60B 7/04; B60B
7/01; B60B 7/06; B60B 3/02; B60B 3/04;
B60B 3/06; B60B 3/10; B60B 1/00;
B60B 1/08; B60B 1/10; B60B 1/12

See application file for complete search history.

(56) **References Cited**

U.S. PATENT DOCUMENTS

D455,701 S *	4/2002	McMath	D12/209
D697,005 S *	1/2014	Juergens	D12/209
D738,278 S *	9/2015	Wolff	D12/209
D787,405 S *	5/2017	Nakamura	D12/209
D799,399 S *	10/2017	Chung	D12/211

* cited by examiner

Primary Examiner — Stacia A Cadmus

(74) *Attorney, Agent, or Firm* — Cotman IP Law Group, PLC

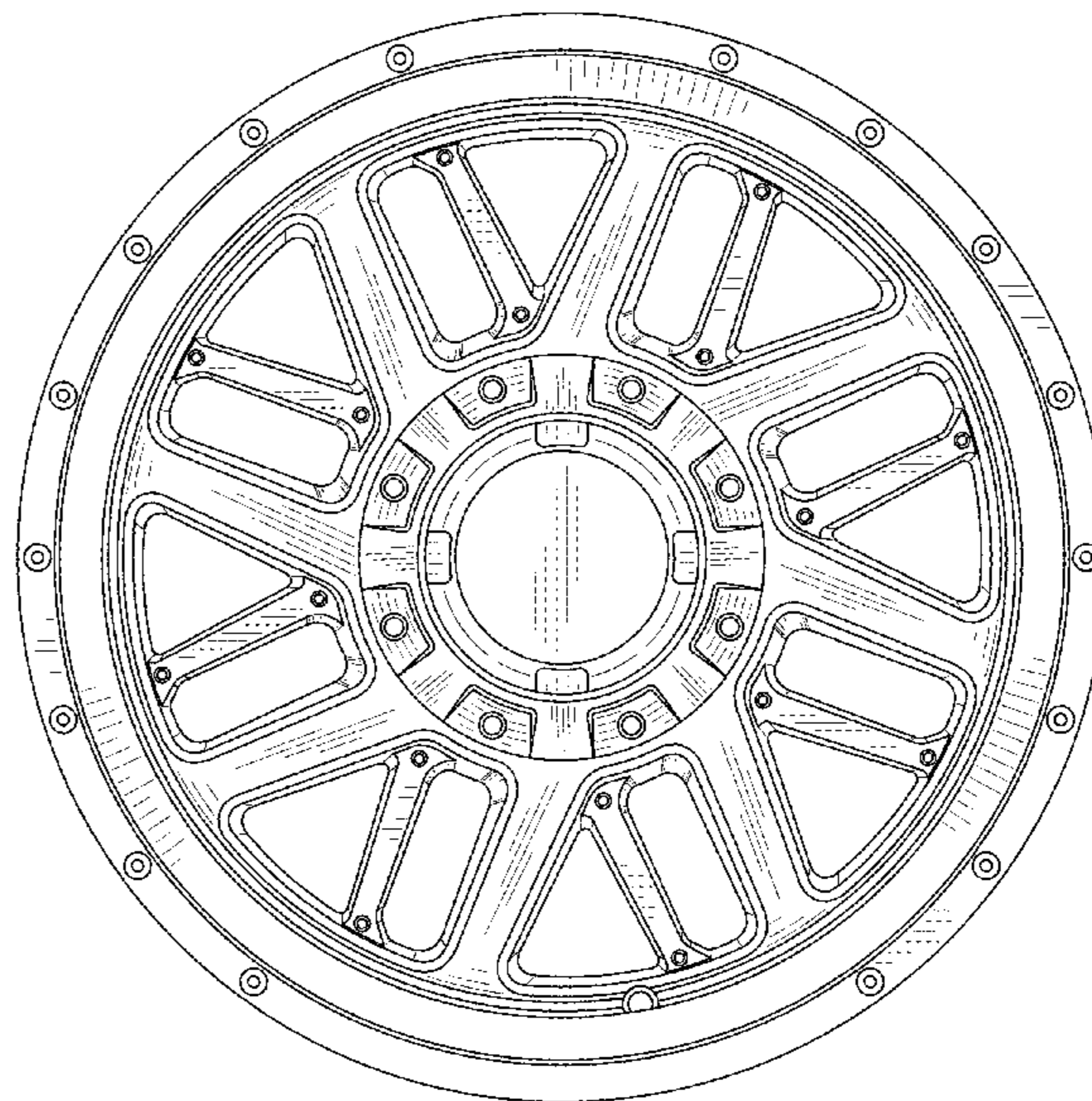
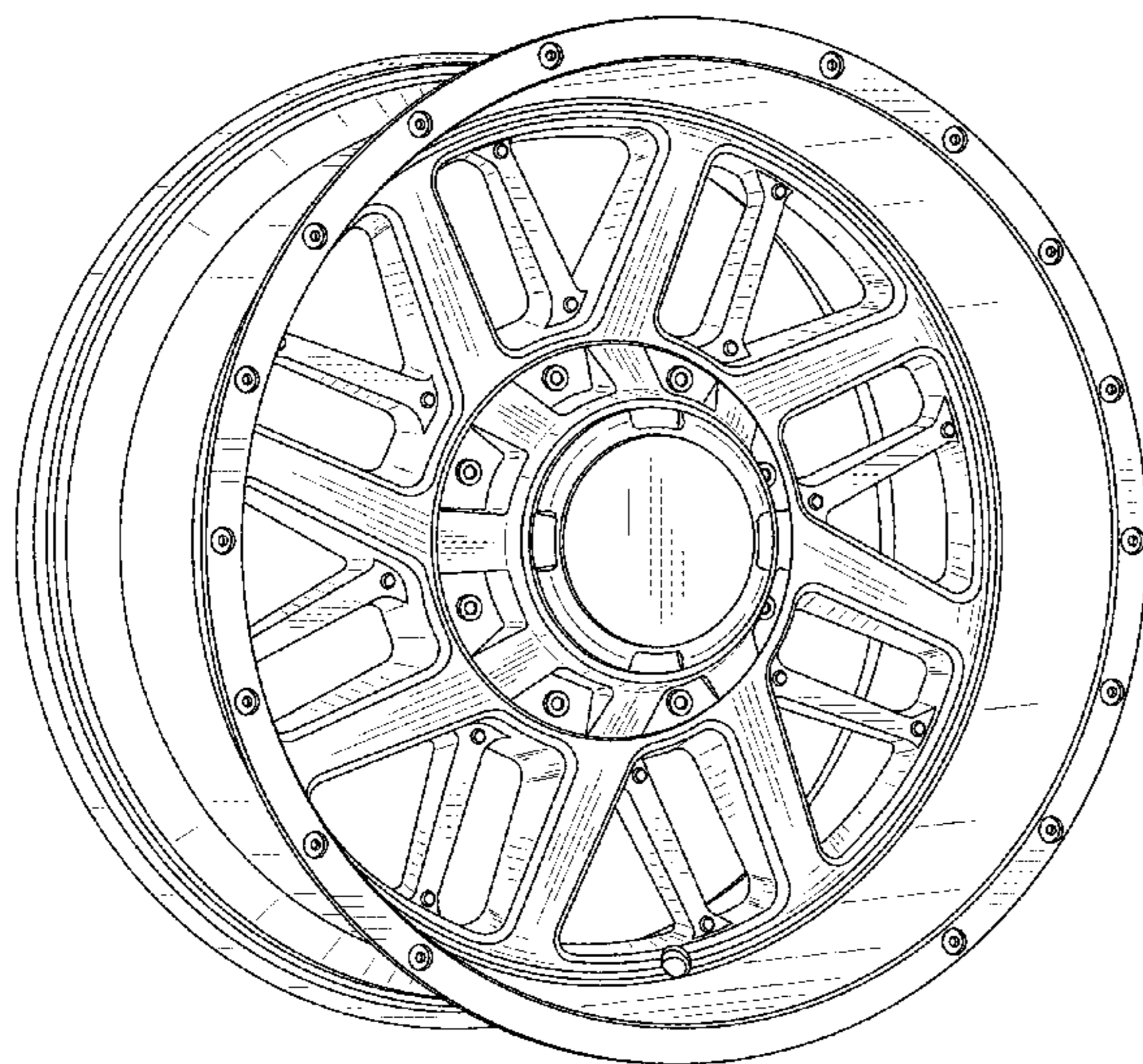
(57) **CLAIM**

The ornamental design for a wheel, as shown and described.

DESCRIPTION

FIG. 1 is a perspective view of the wheel; and, FIG. 2 is a front view thereof.

1 Claim, 2 Drawing Sheets



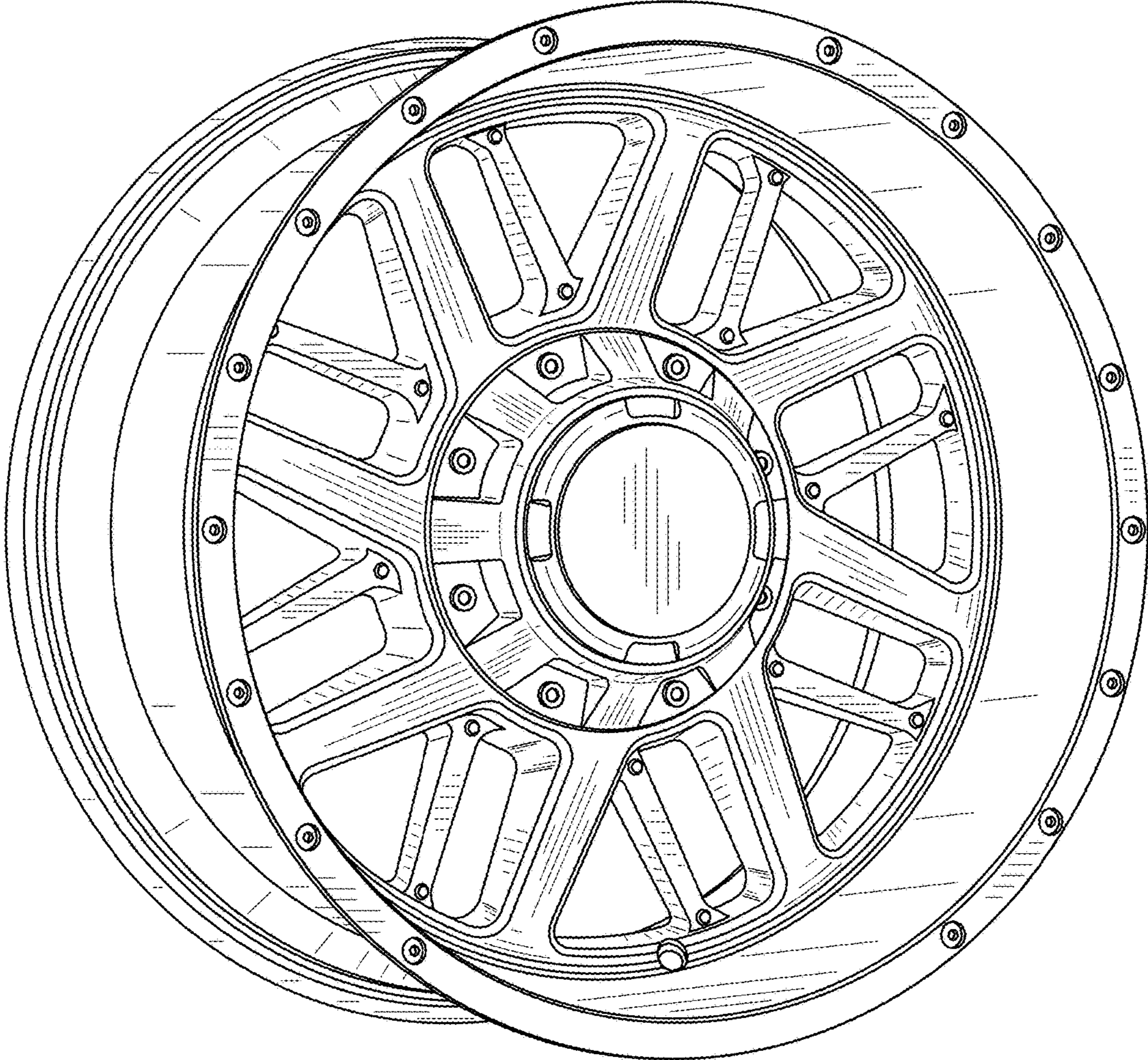


FIG. 1

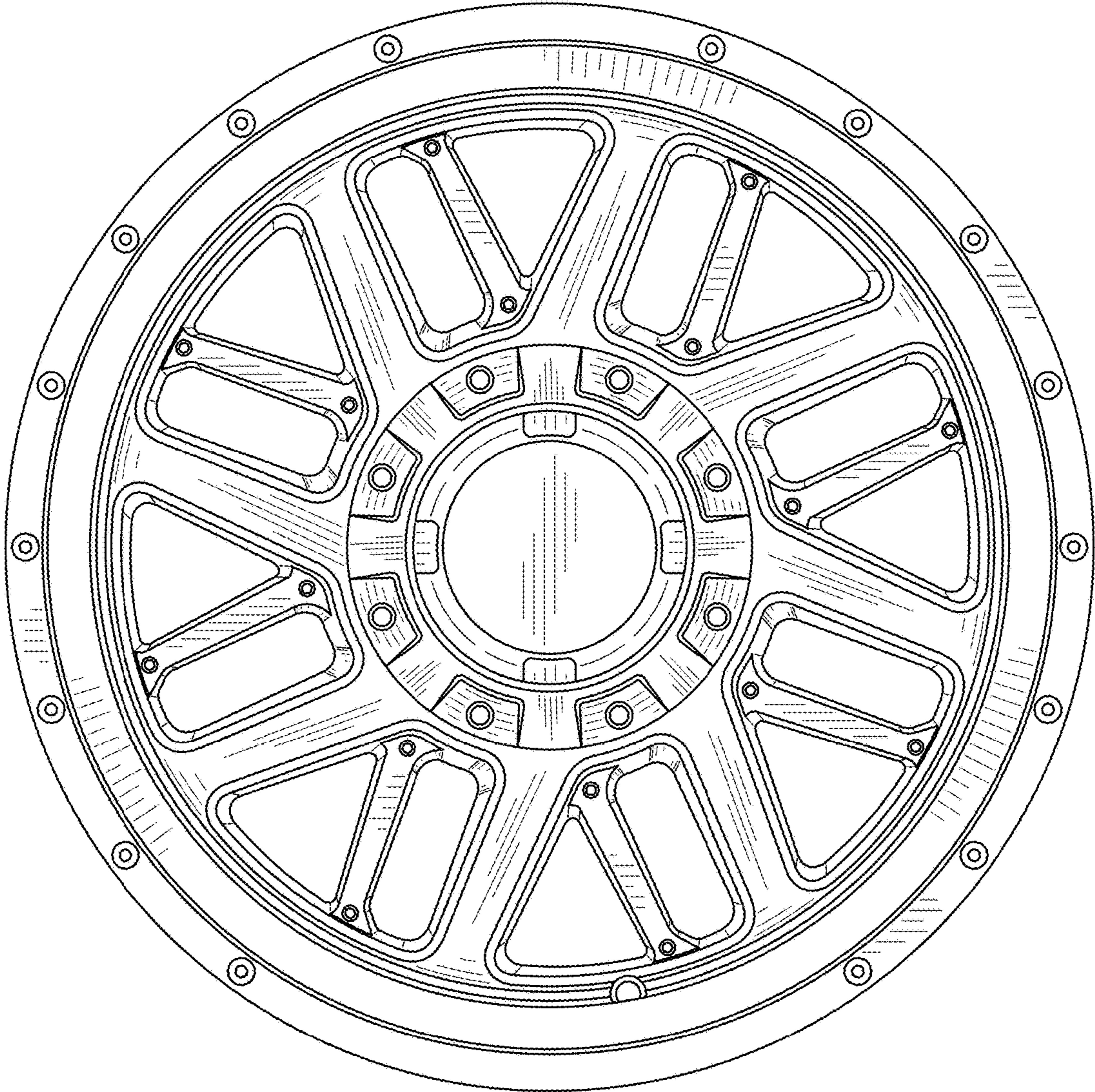


FIG. 2