



US00D830937S

(12) **United States Design Patent**  
**Hamilton**

(10) **Patent No.:** **US D830,937 S**  
(45) **Date of Patent:** **\*\* Oct. 16, 2018**

(54) **WHEEL**

(71) Applicant: **Stephen Hamilton**, St. Charles, IL (US)

(72) Inventor: **Stephen Hamilton**, St. Charles, IL (US)

(\*\*) Term: **15 Years**

(21) Appl. No.: **29/619,664**

(22) Filed: **Sep. 29, 2017**

(51) **LOC (11) Cl.** ..... **12-16**

(52) **U.S. Cl.**  
USPC ..... **D12/209**

(58) **Field of Classification Search**  
USPC ..... D12/204–213  
CPC .... B60B 7/00; B60B 7/02; B60B 7/04; B60B 7/01; B60B 7/06; B60B 3/02; B60B 3/04; B60B 3/06; B60B 3/10; B60B 1/00; B60B 1/08; B60B 1/10; B60B 1/12  
See application file for complete search history.

(56) **References Cited**

**U.S. PATENT DOCUMENTS**

D501,815 S \* 2/2005 Weld ..... D12/209  
D506,719 S \* 6/2005 Chen ..... D12/211

D528,955 S \* 9/2006 Kim ..... D12/209  
D542,209 S \* 5/2007 Pfeiffer ..... D12/211  
D582,831 S \* 12/2008 Musser ..... D12/211  
D635,903 S \* 4/2011 Zhang ..... D12/209  
D654,007 S \* 2/2012 Nissl ..... D12/211  
D714,207 S \* 9/2014 Kim ..... D12/211  
D717,709 S \* 11/2014 Valencia Pollex ..... D12/209  
D720,677 S \* 1/2015 Diephuis ..... D12/209  
D753,046 S \* 4/2016 Liffick ..... D12/209  
D769,785 S \* 10/2016 Wells ..... D12/211  
D788,677 S \* 6/2017 Licklitter ..... D12/209  
D805,455 S \* 12/2017 Kong ..... D12/209  
D810,649 S \* 2/2018 Licklitter ..... D12/211

\* cited by examiner

*Primary Examiner* — Stacia A Cadmus

(74) *Attorney, Agent, or Firm* — Cotman IP Law Group, PLC

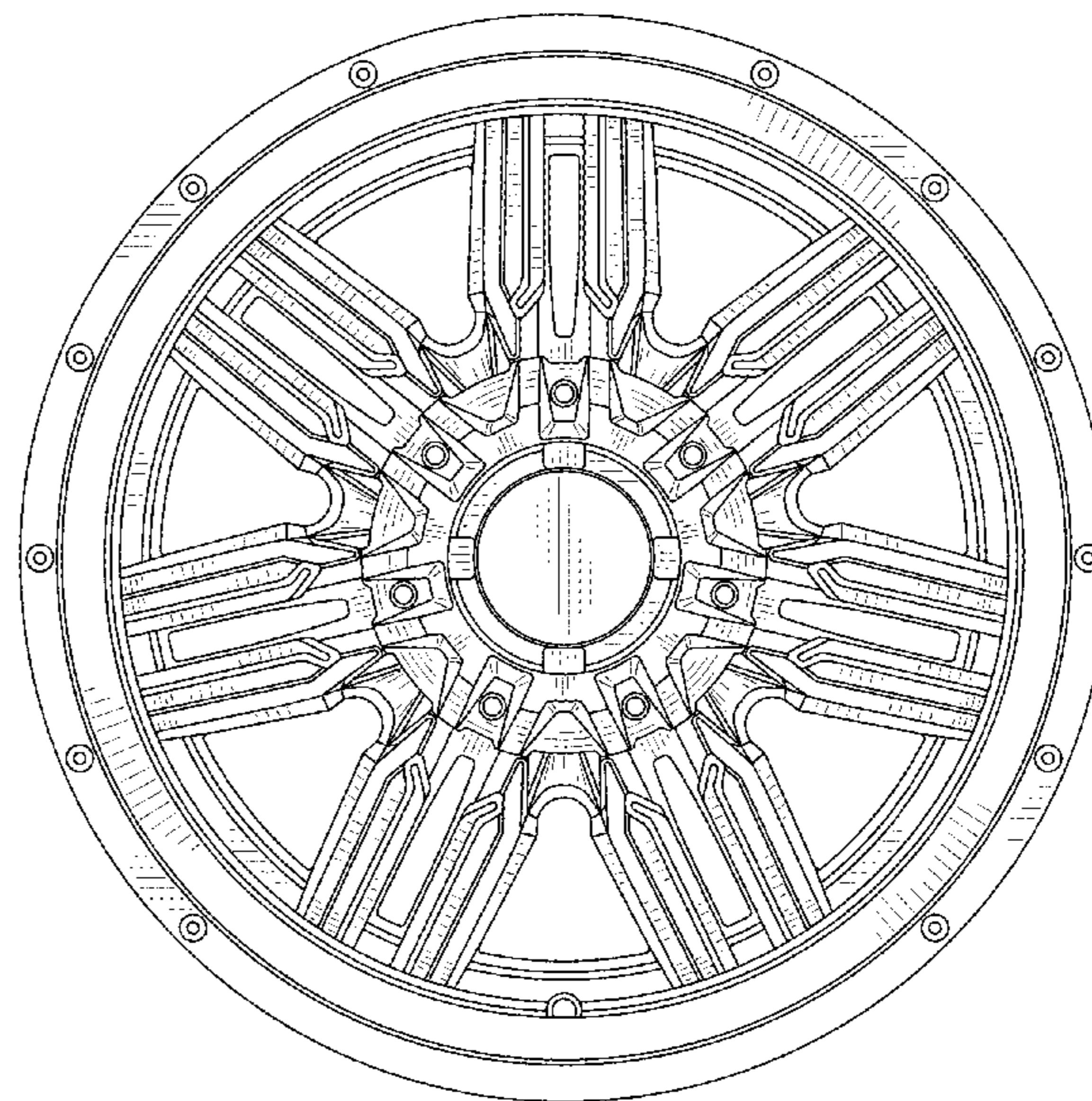
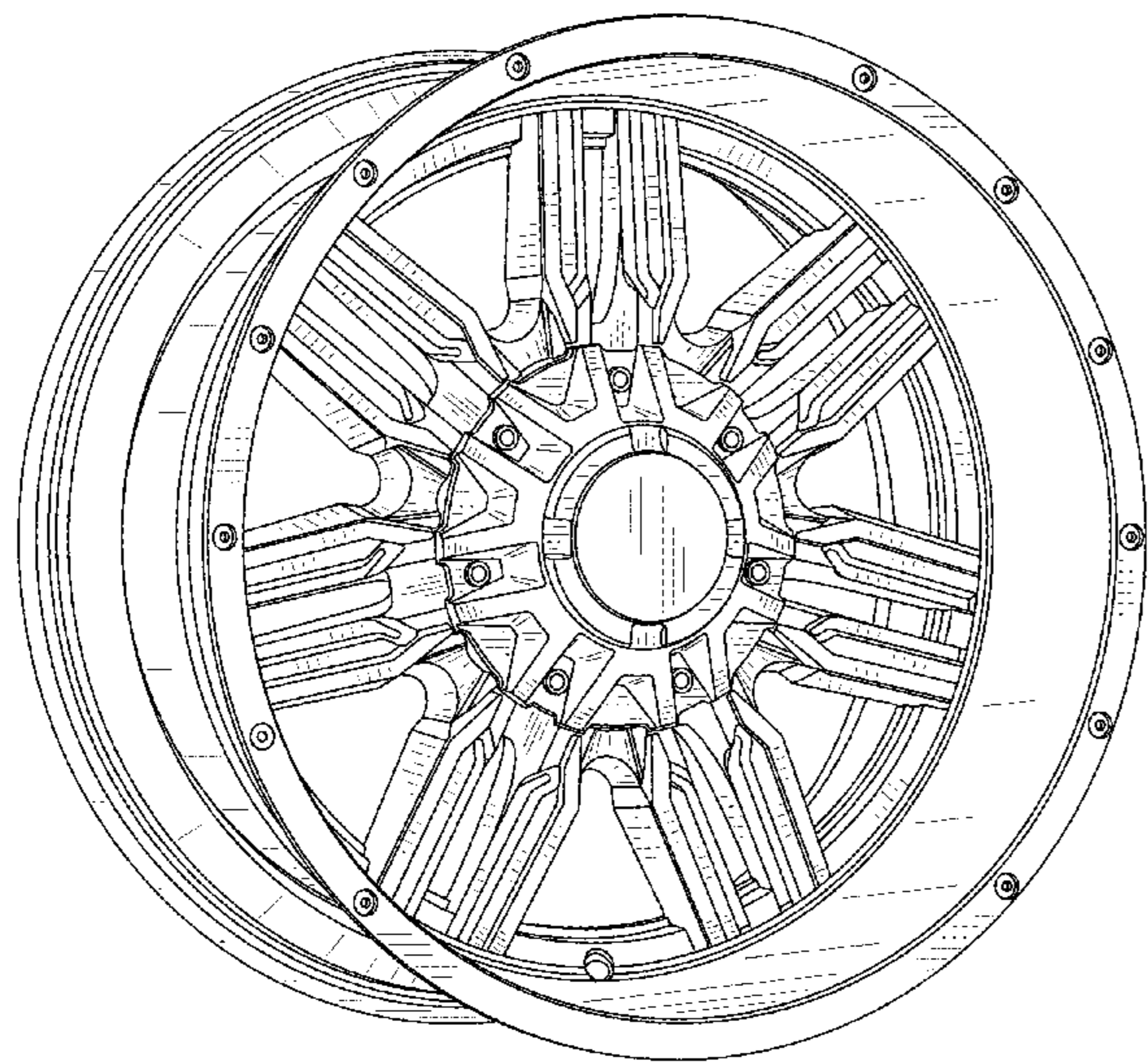
(57) **CLAIM**

The ornamental design for a wheel, as shown and described.

**DESCRIPTION**

FIG. 1 is a perspective view of the wheel; and, FIG. 2 is a front view thereof.

**1 Claim, 2 Drawing Sheets**



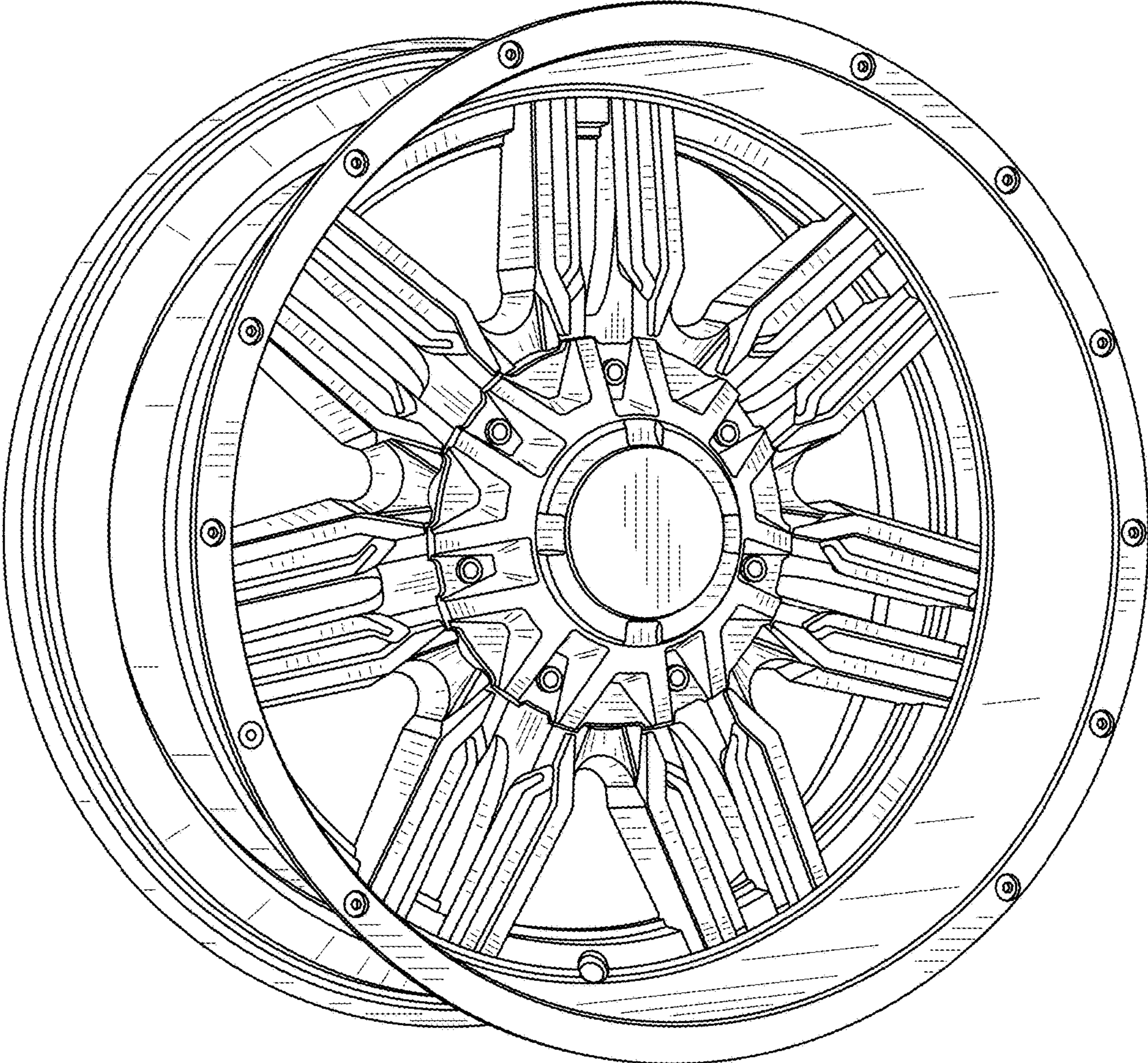


FIG. 1

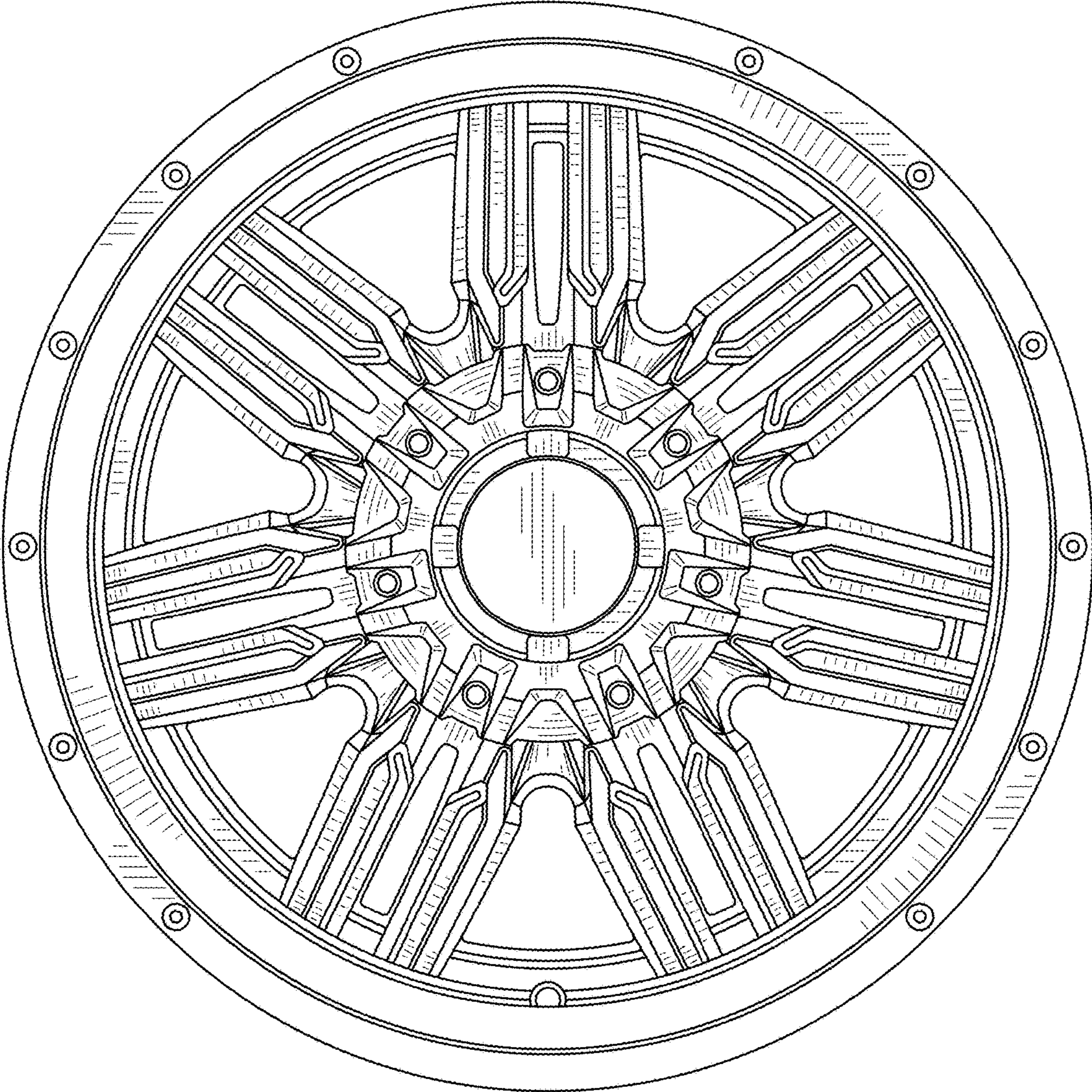


FIG. 2