

US00D830933S

(12) **United States Design Patent**
Zhao

(10) **Patent No.:** **US D830,933 S**

(45) **Date of Patent:** **** Oct. 16, 2018**

(54) **AUTOMOBILE WHEEL**

(71) Applicant: **John Zhao**, Monterey Park, CA (US)

(72) Inventor: **John Zhao**, Monterey Park, CA (US)

(73) Assignee: **Wah Hung Group Inc.**, Monterey Park, CA (US)

(**) Term: **15 Years**

(21) Appl. No.: **29/576,449**

(22) Filed: **Sep. 2, 2016**

(51) **LOC (11) Cl.** **12-16**

(52) **U.S. Cl.**
USPC **D12/209**

(58) **Field of Classification Search**

USPC D12/204–213; D21/533, 561, 563
CPC B60B 7/00; B60B 7/02; B60B 7/04; B60B
7/06; B60B 3/02; B60B 3/04; B60B 3/06;
B60B 3/10; B60B 1/00; B60B 1/08;
B60B 1/10; B60B 1/12

See application file for complete search history.

(56) **References Cited**

U.S. PATENT DOCUMENTS

D454,327 S	*	3/2002	Bux	D12/211
D472,865 S	*	4/2003	Wechner	D12/211
D553,069 S	*	10/2007	Ettensberger	D12/211
D595,632 S	*	7/2009	Hernandez	D12/211
D615,917 S		5/2010	Zhao		
D616,799 S		6/2010	Zhao		
D616,800 S		6/2010	Zhao		
D616,801 S		6/2010	Zhao		
D616,802 S		6/2010	Zhao		
D617,244 S		6/2010	Zhao		
D617,246 S		6/2010	Zhao		
D617,248 S		6/2010	Zhao		
D617,250 S		6/2010	Zhao		
D617,251 S		6/2010	Zhao		

D617,252 S	6/2010	Zhao
D617,253 S	6/2010	Zhao
D617,713 S	6/2010	Zhao
D617,718 S	6/2010	Zhao
D617,719 S	6/2010	Zhao
D617,720 S	6/2010	Zhao
D617,721 S	6/2010	Zhao
D617,722 S	6/2010	Zhao
D617,723 S	6/2010	Zhao
D618,153 S	6/2010	Zhao
D618,154 S	6/2010	Zhao
D618,155 S	6/2010	Zhao
D618,156 S	6/2010	Zhao
D618,605 S	6/2010	Zhao
D618,606 S	6/2010	Zhao
D619,074 S	7/2010	Zhao
D619,075 S	7/2010	Zhao
D620,425 S	7/2010	Zhao
D620,867 S	8/2010	Zhao
D620,874 S	8/2010	Zhao

(Continued)

Primary Examiner — Sheryl Lane

Assistant Examiner — Calvin E Vansant

(74) *Attorney, Agent, or Firm* — Chen Huang; Adli Law Group P.C.

(57) **CLAIM**

I claim the ornamental design for an automobile wheel, as shown and described.

DESCRIPTION

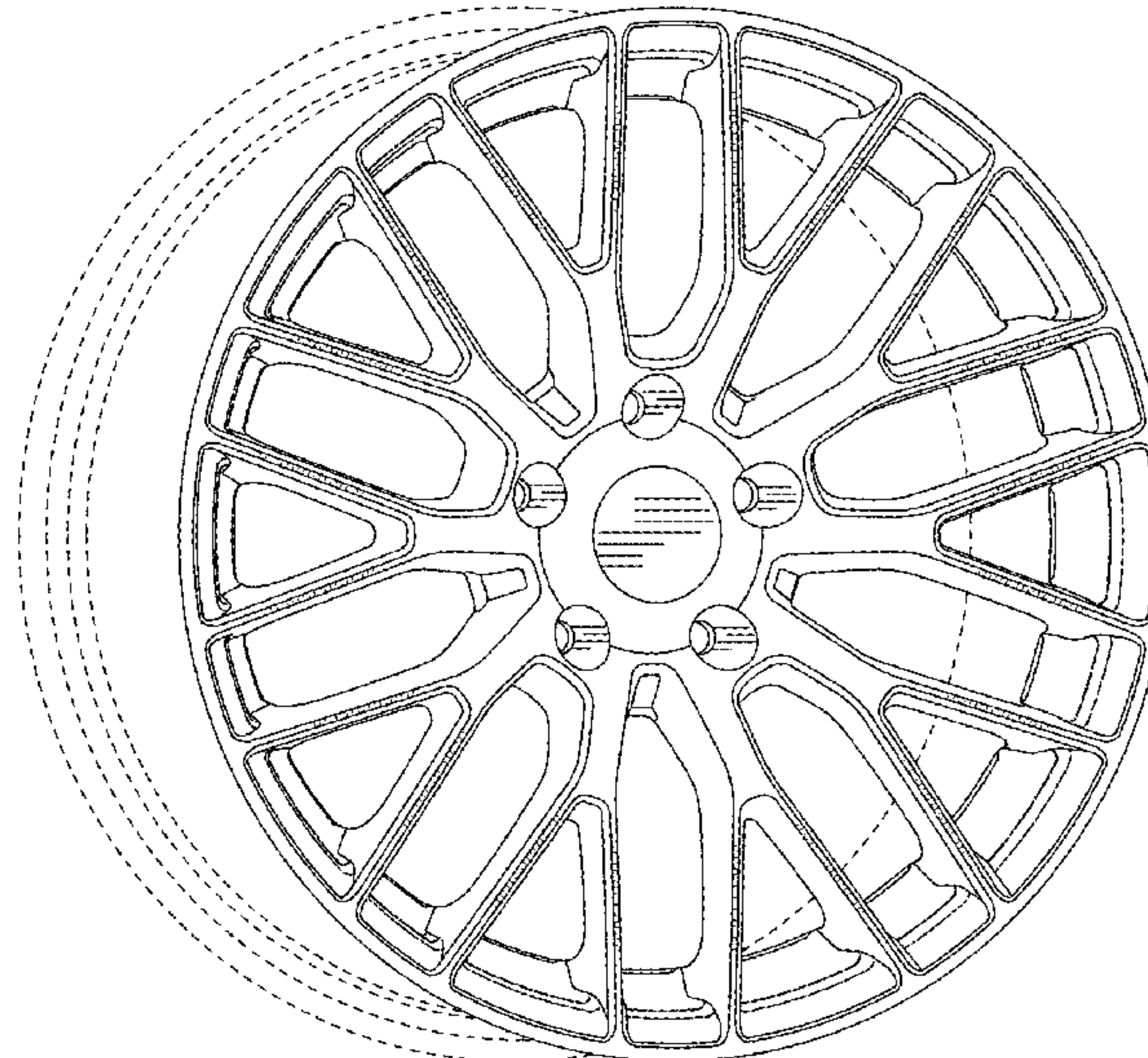
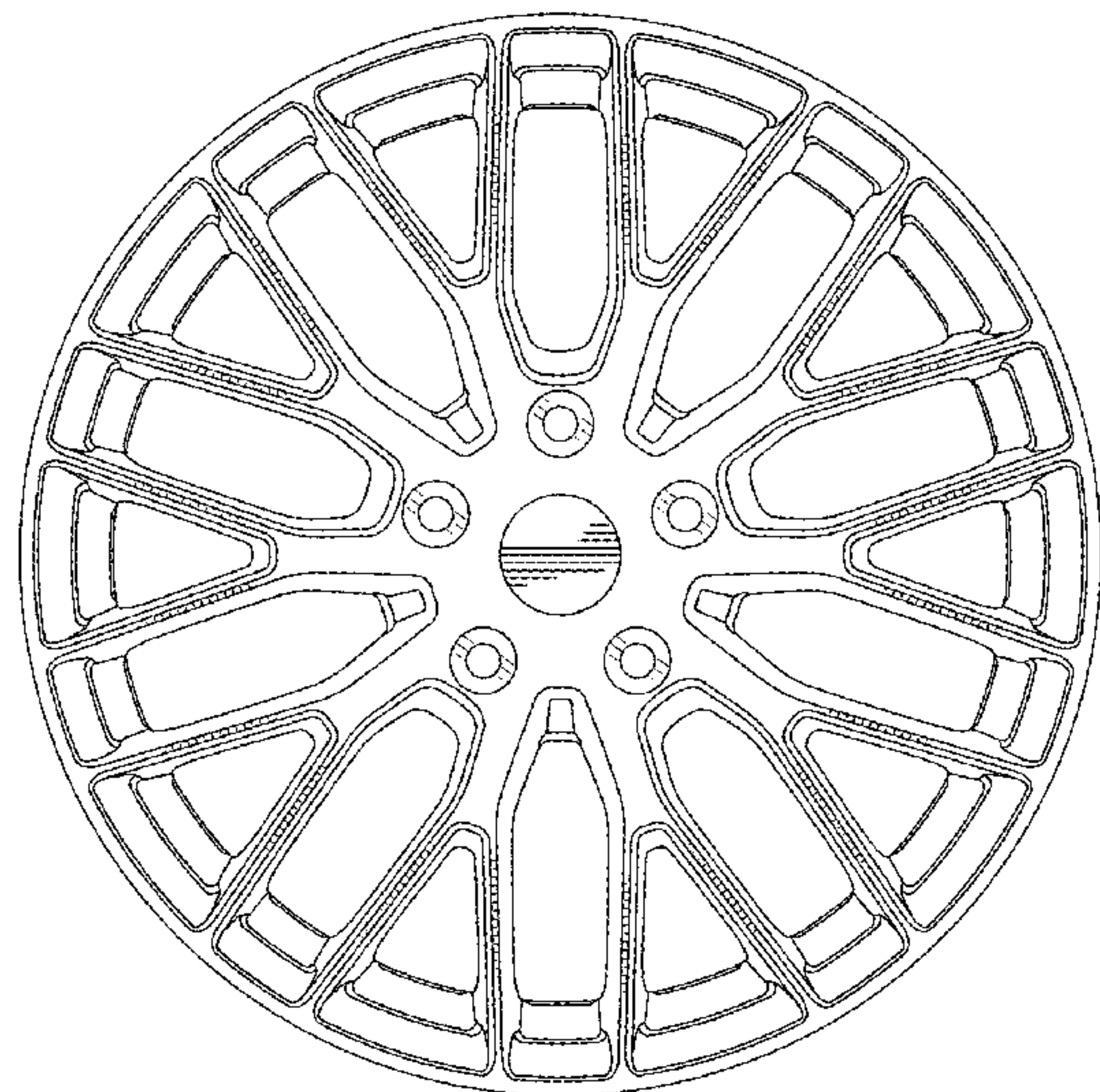
FIG. 1 is a front elevational view of an automobile wheel according to the claimed design; and,

FIG. 2 is a perspective view of the automobile wheel according to the claimed design.

The ornamental design which is claimed is shown in solid lines in the drawings.

The broken lines shown in FIG. 2 illustrate portions of the automobile wheel that form no part of the claimed design.

1 Claim, 2 Drawing Sheets



(56)

References Cited

U.S. PATENT DOCUMENTS

D622,197 S	8/2010	Zhao	
D622,200 S	8/2010	Zhao	
D622,201 S	8/2010	Zhao	
D622,202 S	8/2010	Zhao	
D622,651 S	8/2010	Zhao	
D623,116 S	9/2010	Zhao	
D624,475 S	9/2010	Zhao	
D624,478 S	9/2010	Zhao	
D624,861 S	10/2010	Zhao	
D624,862 S	10/2010	Zhao	
D624,863 S	10/2010	Zhao	
D625,238 S	10/2010	Zhao	
D625,241 S	10/2010	Zhao	
D625,242 S	10/2010	Zhao	
D625,244 S	10/2010	Zhao	
D628,135 S	11/2010	Zhao	
D630,144 S	* 1/2011	Chung D12/209
D630,991 S	1/2011	Zhao	
D636,320 S	* 4/2011	Lamm D12/211
D637,947 S	5/2011	Zhao	
D639,220 S	6/2011	Zhao	
D642,105 S	* 7/2011	Chung D12/209
D652,364 S	1/2012	Zhao	
D653,188 S	1/2012	Zhao	
D653,189 S	1/2012	Zhao	
D653,598 S	2/2012	Zhao	
D653,599 S	2/2012	Zhao	
D655,231 S	3/2012	Zhao	
D655,232 S	3/2012	Zhao	
D655,233 S	3/2012	Alfonso	
D655,234 S	3/2012	Zhao	
D655,235 S	3/2012	Zhao	
D655,663 S	3/2012	Zhao	
D655,664 S	3/2012	Zhao	
D655,665 S	3/2012	Zhao	
D655,666 S	3/2012	Zhao	
D656,448 S	3/2012	Zhao	
D656,449 S	3/2012	Zhao	
D656,450 S	3/2012	Zhao	
D656,451 S	3/2012	Zhao	
D660,769 S	* 5/2012	Pollmann D12/211
D661,239 S	* 6/2012	Pollmann D12/209
D678,165 S	3/2013	Zhao	
D680,048 S	4/2013	Zhao	
D680,483 S	4/2013	Zhao	
D680,484 S	4/2013	Zhao	
D680,485 S	4/2013	Zhao	
D680,486 S	4/2013	Zhao	
D680,487 S	4/2013	Zhao	
D680,939 S	4/2013	Zhao	
D681,532 S	5/2013	Zhao	
D681,534 S	5/2013	Zhao	
D681,535 S	5/2013	Zhao	
D681,536 S	5/2013	Zhao	
D681,537 S	5/2013	Zhao	
D681,538 S	5/2013	Zhao	
D681,539 S	5/2013	Zhao	
D681,540 S	5/2013	Zhao	
D682,177 S	5/2013	Zhao	
D682,180 S	5/2013	Zhao	
D682,181 S	5/2013	Zhao	
D682,182 S	5/2013	Zhao	
D682,183 S	5/2013	Zhao	
D682,184 S	5/2013	Zhao	
D682,185 S	5/2013	Zhao	
D682,765 S	5/2013	Alfonso	
D682,766 S	5/2013	Zhao	
D682,767 S	5/2013	Zhao	
D682,769 S	5/2013	Zhao	
D682,770 S	5/2013	Zhao	
D683,682 S	6/2013	Alfonso	
D683,686 S	6/2013	Alfonso	
D683,687 S	6/2013	Alfonso	
D683,688 S	6/2013	Alfonso	
D684,101 S	6/2013	Alfonso	
D684,518 S	6/2013	Zhao	
D684,915 S	6/2013	Zhao	
D685,309 S	7/2013	Alfonso	
D685,310 S	7/2013	Alfonso	
D685,311 S	7/2013	Alfonso	
D685,312 S	7/2013	Zhao	
D688,189 S	8/2013	Alfonso	
D695,182 S	* 12/2013	Chung D12/209
D695,189 S	12/2013	Zhao	
D695,192 S	12/2013	Zhao	
D695,200 S	12/2013	Zhao	
D695,201 S	12/2013	Zhao	
D699,173 S	2/2014	Zhao	
D699,659 S	2/2014	Zhao	
D699,660 S	2/2014	Zhao	
D706,698 S	6/2014	Zhao	
D713,773 S	* 9/2014	Scheinhutte D12/209
D722,547 S	2/2015	Zhao	
D723,990 S	* 3/2015	Muntada Roura D12/209
D723,992 S	3/2015	Zhao	
D723,993 S	3/2015	Zhao	
D723,995 S	3/2015	Zhao	
D723,996 S	3/2015	Zhao	
D725,018 S	3/2015	Zhao	
D726,087 S	* 4/2015	Breyton D12/211
D726,621 S	4/2015	Alfonso	
D726,623 S	4/2015	Alfonso	
D731,391 S	6/2015	Zhao	
D741,243 S	10/2015	Zhao	
D741,244 S	10/2015	Zhao	
D741,245 S	10/2015	Zhao	
D741,775 S	10/2015	Zhao	
D741,776 S	10/2015	Zhao	
D742,295 S	11/2015	Zhao	
D742,799 S	11/2015	Zhao	
D743,316 S	11/2015	Zhao	
D744,929 S	12/2015	Zhao	
D748,559 S	2/2016	Zhao	
D749,030 S	2/2016	Zhao	
D749,031 S	2/2016	Zhao	
D751,484 S	3/2016	Zhao	
D751,488 S	3/2016	Zhao	
D751,966 S	3/2016	Zhao	
D752,498 S	3/2016	Zhao	
D753,047 S	4/2016	Alfonso	
D756,282 S	5/2016	Zhao	
D756,285 S	5/2016	Zhao	
D756,286 S	5/2016	Zhao	
D756,880 S	5/2016	Zhao	
D756,881 S	5/2016	Zhao	
D757,627 S	* 5/2016	Chung D12/211
D758,277 S	6/2016	Alfonso	
D758,941 S	6/2016	Zhao	
D758,942 S	6/2016	Zhao	
D758,945 S	6/2016	Zhao	
D758,946 S	6/2016	Zhao	
D758,947 S	6/2016	Zhao	
D760,142 S	* 6/2016	Chu D12/211
D760,144 S	6/2016	Zhao	
D763,766 S	8/2016	Alfonso	
D763,767 S	8/2016	Alfonso	
D764,366 S	8/2016	Zhao	
D764,370 S	* 8/2016	Chung D12/209
D764,371 S	8/2016	Zhao	
D765,007 S	* 8/2016	Chung D12/211
D774,436 S	* 12/2016	Valencia Pollex D12/209
D778,223 S	* 2/2017	Chu D12/211
D782,386 S	* 3/2017	Zhao D12/211
D784,897 S	* 4/2017	Zhao D12/211
D786,766 S	* 5/2017	Rueckheim D12/209
D787,408 S	* 5/2017	Alfonso D12/211
D799,395 S	* 10/2017	Chung D12/209
D808,883 S	* 1/2018	Chung D12/211
D810,647 S	* 2/2018	Heizmann D12/209
D811,978 S	* 3/2018	Hodges D12/211
2002/0158504 A1	* 10/2002	Ito B22D 15/005 301/65

* cited by examiner

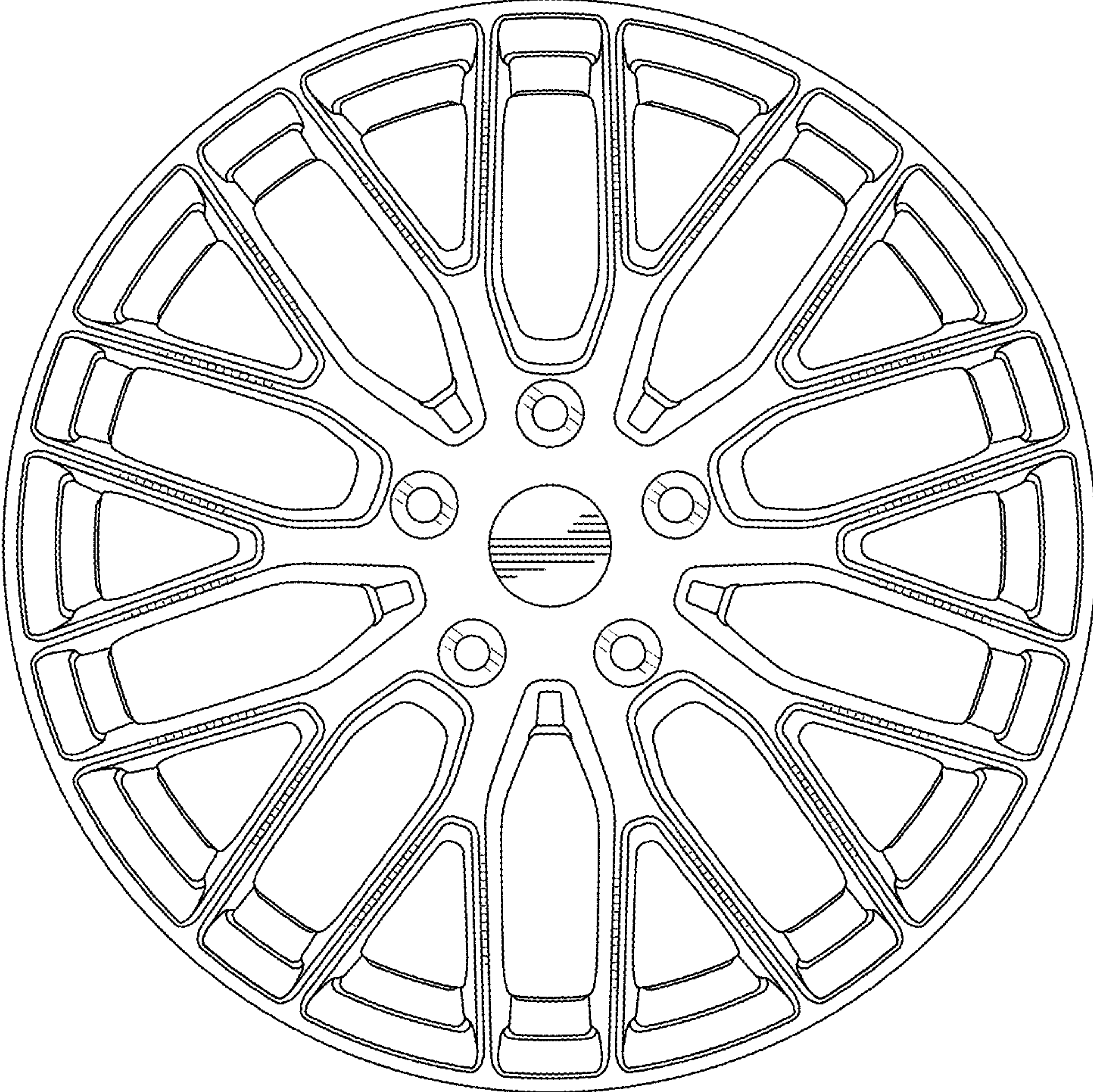


FIG. 1

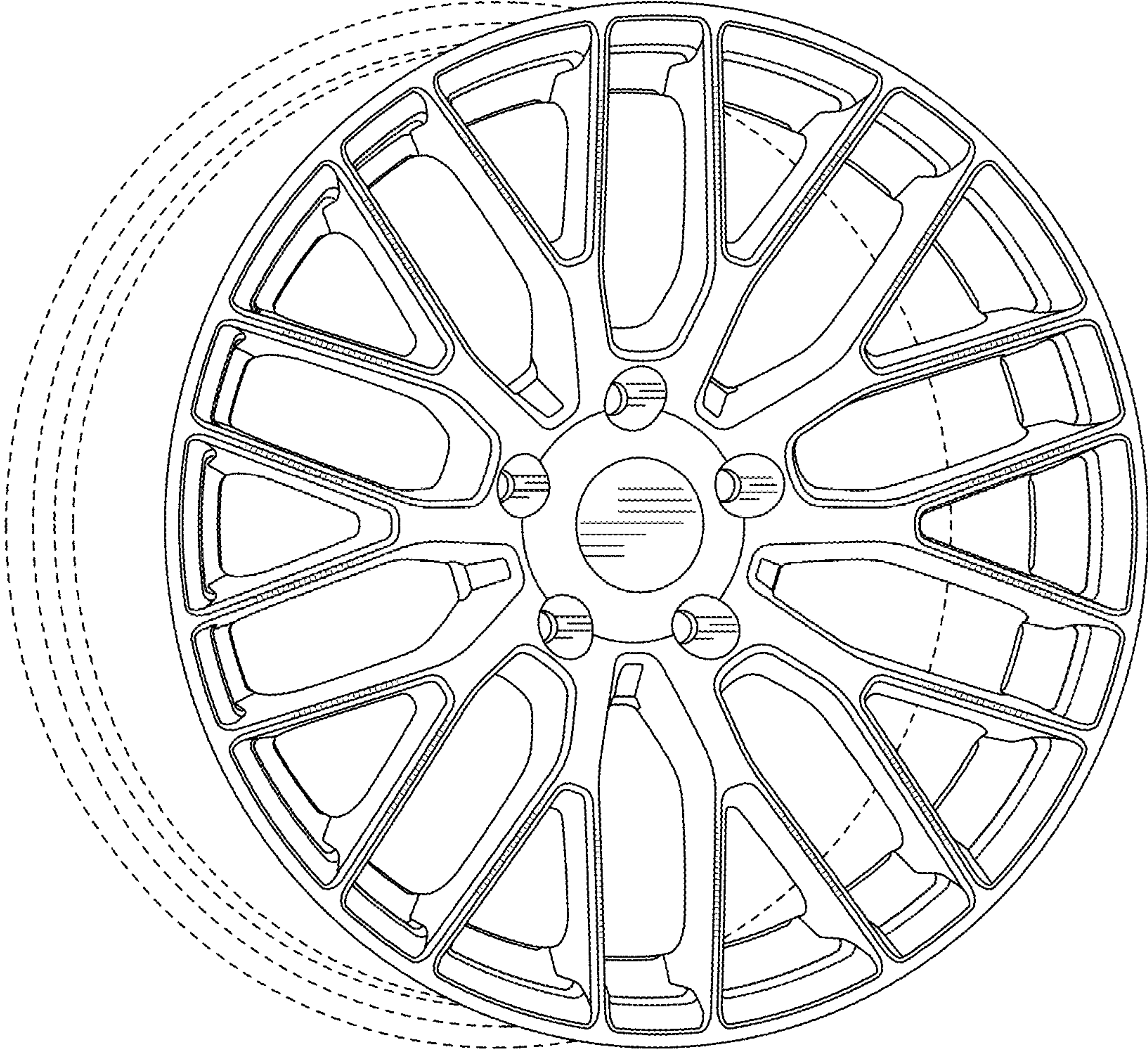


FIG. 2