



US00D830932S

(12) **United States Design Patent**
Zhao

(10) **Patent No.:** **US D830,932 S**
(45) **Date of Patent:** **** Oct. 16, 2018**

- (54) **AUTOMOBILE WHEEL**
- (71) Applicant: **John Zhao**, Monterey Park, CA (US)
- (72) Inventor: **John Zhao**, Monterey Park, CA (US)
- (73) Assignee: **Wah Hung Group Inc.**, Monterey Park, CA (US)
- (**) Term: **15 Years**
- (21) Appl. No.: **29/576,406**
- (22) Filed: **Sep. 2, 2016**
- (51) **LOC (11) Cl.** **12-16**
- (52) **U.S. Cl.**
USPC **D12/209**
- (58) **Field of Classification Search**
USPC D12/204–213; D21/533, 561, 563
CPC B60B 7/00; B60B 7/02; B60B 7/04; B60B 7/06; B60B 3/02; B60B 3/04; B60B 3/06; B60B 3/10; B60B 1/00; B60B 1/08; B60B 1/10; B60B 1/12
See application file for complete search history.

- D617,718 S 6/2010 Zhao
- D617,719 S 6/2010 Zhao
- D617,720 S 6/2010 Zhao
- D617,721 S 6/2010 Zhao
- D617,722 S 6/2010 Zhao
- D617,723 S 6/2010 Zhao
- D618,153 S 6/2010 Zhao
- D618,154 S 6/2010 Zhao
- D618,155 S 6/2010 Zhao
- D618,156 S 6/2010 Zhao
- D618,605 S 6/2010 Zhao
- D618,606 S 6/2010 Zhao
- D619,074 S 7/2010 Zhao
- D619,075 S 7/2010 Zhao
- D620,418 S * 7/2010 Borkert D12/209
- D620,425 S 7/2010 Zhao
- D620,867 S 8/2010 Zhao
- D620,874 S 8/2010 Zhao
- D622,197 S 8/2010 Zhao
- D622,200 S 8/2010 Zhao
- D622,201 S 8/2010 Zhao

(Continued)

Primary Examiner — Sheryl Lane
Assistant Examiner — Calvin E Vansant
(74) *Attorney, Agent, or Firm* — Chen Huang; Adli Law Group P.C.

(56) **References Cited**

U.S. PATENT DOCUMENTS

- D480,035 S * 9/2003 Frohlich D12/211
- D615,917 S 5/2010 Zhao
- D616,799 S 6/2010 Zhao
- D616,800 S 6/2010 Zhao
- D616,801 S 6/2010 Zhao
- D616,802 S 6/2010 Zhao
- D617,244 S 6/2010 Zhao
- D617,246 S 6/2010 Zhao
- D617,248 S 6/2010 Zhao
- D617,250 S 6/2010 Zhao
- D617,251 S 6/2010 Zhao
- D617,252 S 6/2010 Zhao
- D617,253 S 6/2010 Zhao
- D617,713 S 6/2010 Zhao

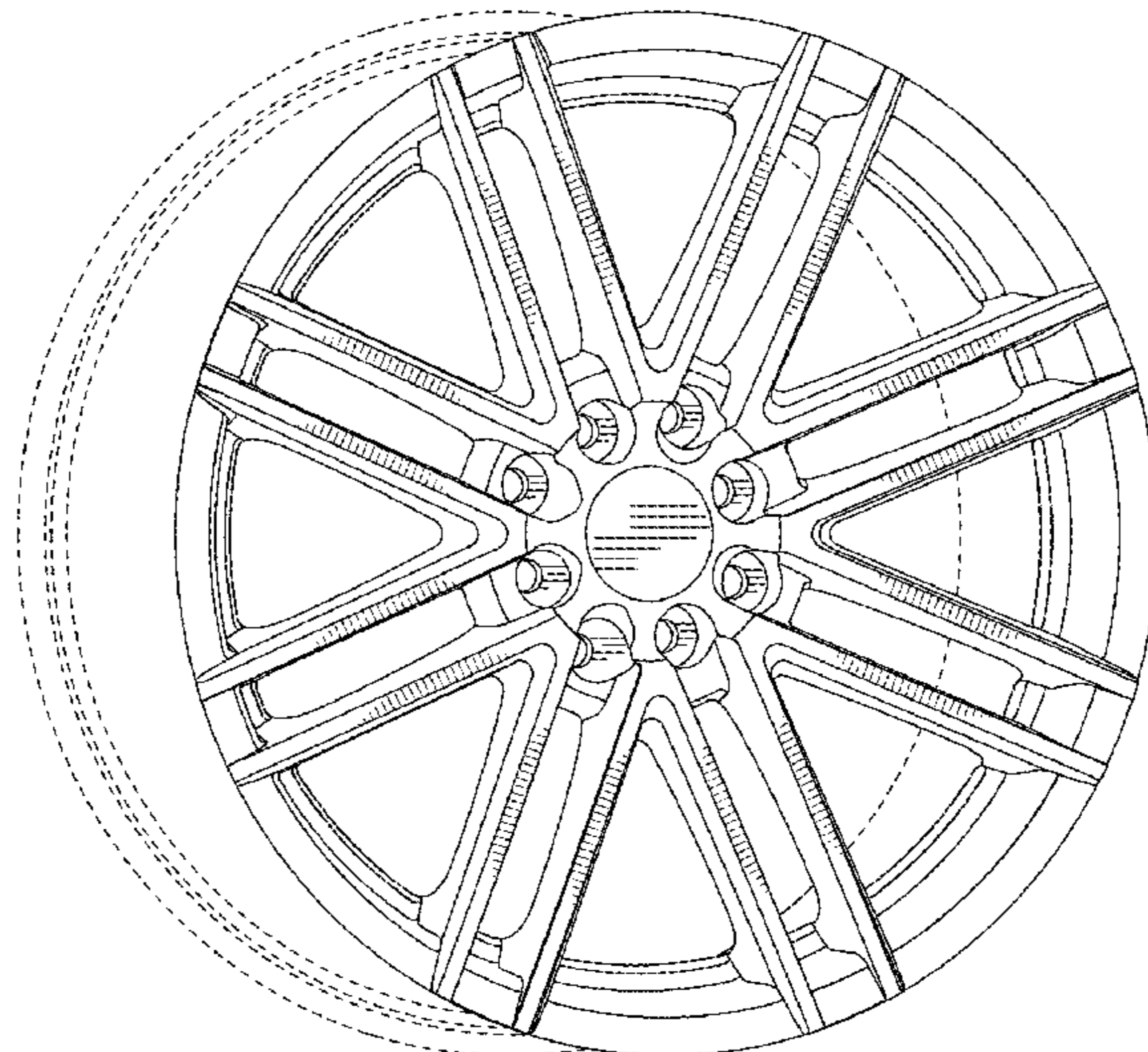
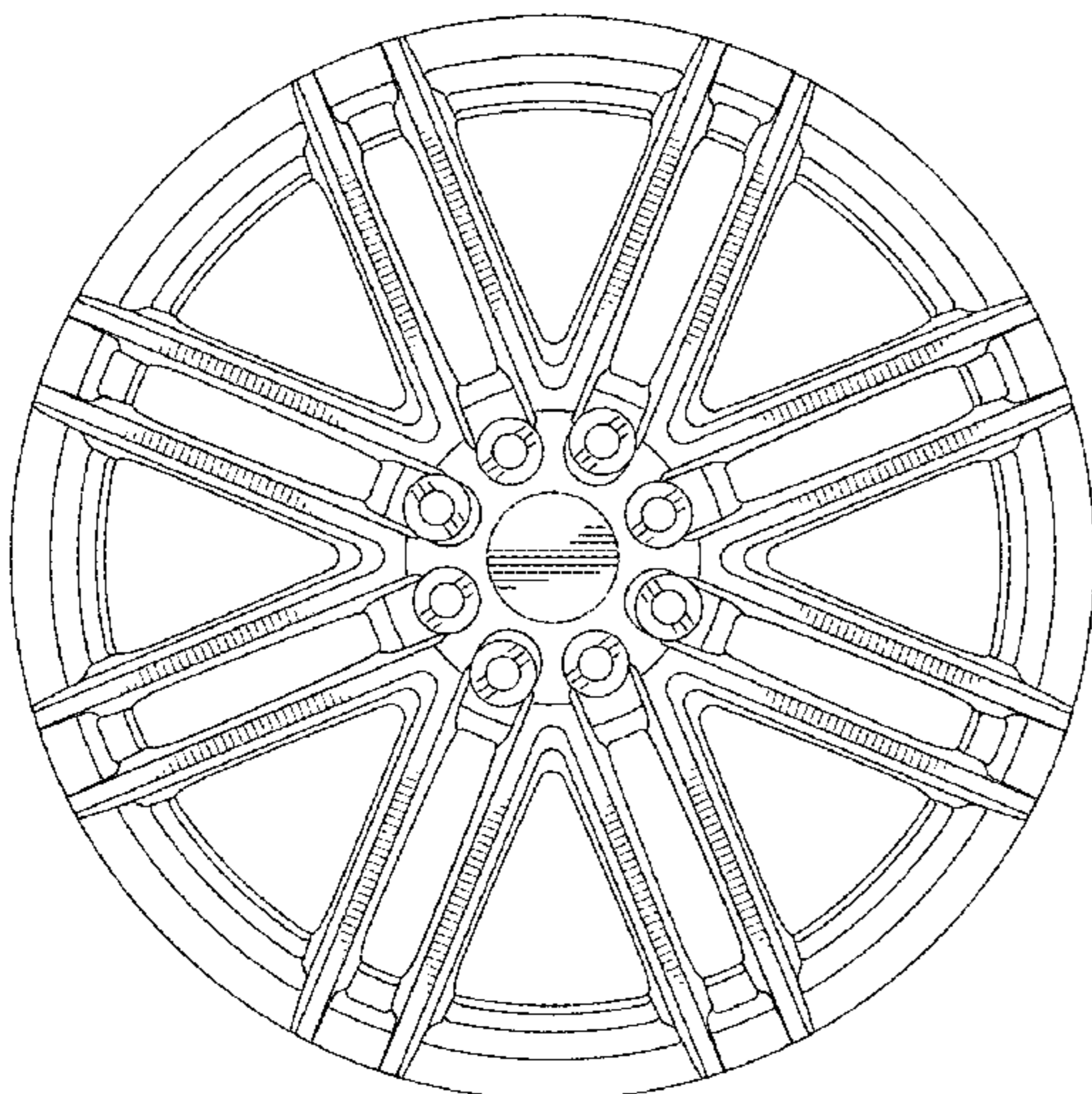
(57) **CLAIM**

I claim the ornamental design for an automobile wheel, as shown and described.

DESCRIPTION

FIG. 1 is a front elevational view of an automobile wheel according to the claimed design; and, FIG. 2 is a perspective view of the automobile wheel according to the claimed design. The ornamental design which is claimed is shown in solid lines in the drawings. The broken lines shown in FIG. 2 illustrate portions of the automobile wheel that form no part of the claimed design.

1 Claim, 2 Drawing Sheets



(56)

References Cited

U.S. PATENT DOCUMENTS

D622,202 S	8/2010	Zhao	D683,688 S	6/2013	Alfonso	
D622,651 S	8/2010	Zhao	D684,101 S	6/2013	Alfonso	
D623,116 S	9/2010	Zhao	D684,518 S	6/2013	Zhao	
D624,475 S	9/2010	Zhao	D684,915 S	6/2013	Zhao	
D624,478 S	9/2010	Zhao	D685,309 S	7/2013	Alfonso	
D624,861 S	10/2010	Zhao	D685,310 S	7/2013	Alfonso	
D624,862 S	10/2010	Zhao	D685,311 S	7/2013	Alfonso	
D624,863 S	10/2010	Zhao	D685,312 S	7/2013	Zhao	
D625,238 S	10/2010	Zhao	D688,189 S	8/2013	Alfonso	
D625,241 S	10/2010	Zhao	D695,189 S	12/2013	Zhao	
D625,242 S	10/2010	Zhao	D695,192 S	12/2013	Zhao	
D625,244 S	10/2010	Zhao	D695,200 S	12/2013	Zhao	
D628,135 S	11/2010	Zhao	D695,201 S	12/2013	Zhao	
D630,991 S	1/2011	Zhao	D699,173 S	2/2014	Zhao	
D637,947 S	5/2011	Zhao	D699,659 S	2/2014	Zhao	
D639,220 S	6/2011	Zhao	D699,660 S	2/2014	Zhao	
D652,364 S	1/2012	Zhao	D706,698 S	6/2014	Zhao	
D653,188 S	1/2012	Zhao	D717,710 S	* 11/2014	Chung D12/211
D653,189 S	1/2012	Zhao	D722,547 S	2/2015	Zhao	
D653,598 S	2/2012	Zhao	D723,992 S	3/2015	Zhao	
D653,599 S	2/2012	Zhao	D723,993 S	3/2015	Zhao	
D655,231 S	3/2012	Zhao	D723,995 S	3/2015	Zhao	
D655,232 S	3/2012	Zhao	D723,996 S	3/2015	Zhao	
D655,233 S	3/2012	Alfonso	D725,018 S	3/2015	Zhao	
D655,234 S	3/2012	Zhao	D726,621 S	4/2015	Alfonso	
D655,235 S	3/2012	Zhao	D726,623 S	4/2015	Alfonso	
D655,663 S	3/2012	Zhao	D731,391 S	6/2015	Zhao	
D655,664 S	3/2012	Zhao	D741,243 S	10/2015	Zhao	
D655,665 S	3/2012	Zhao	D741,244 S	10/2015	Zhao	
D655,666 S	3/2012	Zhao	D741,245 S	10/2015	Zhao	
D656,448 S	3/2012	Zhao	D741,775 S	10/2015	Zhao	
D656,449 S	3/2012	Zhao	D741,776 S	10/2015	Zhao	
D656,450 S	3/2012	Zhao	D742,295 S	11/2015	Zhao	
D656,451 S	3/2012	Zhao	D742,799 S	11/2015	Zhao	
D678,165 S	3/2013	Zhao	D743,316 S	11/2015	Zhao	
D680,048 S	4/2013	Zhao	D744,929 S	12/2015	Zhao	
D680,483 S	4/2013	Zhao	D748,035 S	* 1/2016	Wagener D12/211
D680,484 S	4/2013	Zhao	D748,559 S	2/2016	Zhao	
D680,485 S	4/2013	Zhao	D749,030 S	2/2016	Zhao	
D680,486 S	4/2013	Zhao	D749,031 S	2/2016	Zhao	
D680,487 S	4/2013	Zhao	D751,484 S	3/2016	Zhao	
D680,939 S	4/2013	Zhao	D751,488 S	3/2016	Zhao	
D681,532 S	5/2013	Zhao	D751,966 S	3/2016	Zhao	
D681,534 S	5/2013	Zhao	D752,498 S	3/2016	Zhao	
D681,535 S	5/2013	Zhao	D753,047 S	4/2016	Alfonso	
D681,536 S	5/2013	Zhao	D755,101 S	* 5/2016	Gallert D12/211
D681,537 S	5/2013	Zhao	D756,282 S	5/2016	Zhao	
D681,538 S	5/2013	Zhao	D756,285 S	5/2016	Zhao	
D681,539 S	5/2013	Zhao	D756,286 S	5/2016	Zhao	
D681,540 S	5/2013	Zhao	D756,880 S	5/2016	Zhao	
D682,177 S	5/2013	Zhao	D756,881 S	5/2016	Zhao	
D682,180 S	5/2013	Zhao	D758,277 S	6/2016	Alfonso	
D682,181 S	5/2013	Zhao	D758,941 S	6/2016	Zhao	
D682,182 S	5/2013	Zhao	D758,942 S	6/2016	Zhao	
D682,183 S	5/2013	Zhao	D758,945 S	6/2016	Zhao	
D682,184 S	5/2013	Zhao	D758,946 S	6/2016	Zhao	
D682,185 S	5/2013	Zhao	D758,947 S	6/2016	Zhao	
D682,765 S	5/2013	Alfonso	D760,144 S	6/2016	Zhao	
D682,766 S	5/2013	Zhao	D763,766 S	8/2016	Alfonso	
D682,767 S	5/2013	Zhao	D763,767 S	8/2016	Alfonso	
D682,769 S	5/2013	Zhao	D764,366 S	8/2016	Zhao	
D682,770 S	5/2013	Zhao	D764,371 S	8/2016	Zhao	
D683,682 S	6/2013	Alfonso	D787,414 S	* 5/2017	Alfonso D12/211
D683,686 S	6/2013	Alfonso	D795,154 S	* 8/2017	Hans D12/211
D683,687 S	6/2013	Alfonso	D799,394 S	* 10/2017	Yamashita D12/209
			D800,632 S	* 10/2017	Gonser D12/211
			D801,254 S	* 10/2017	Chung D12/211

* cited by examiner

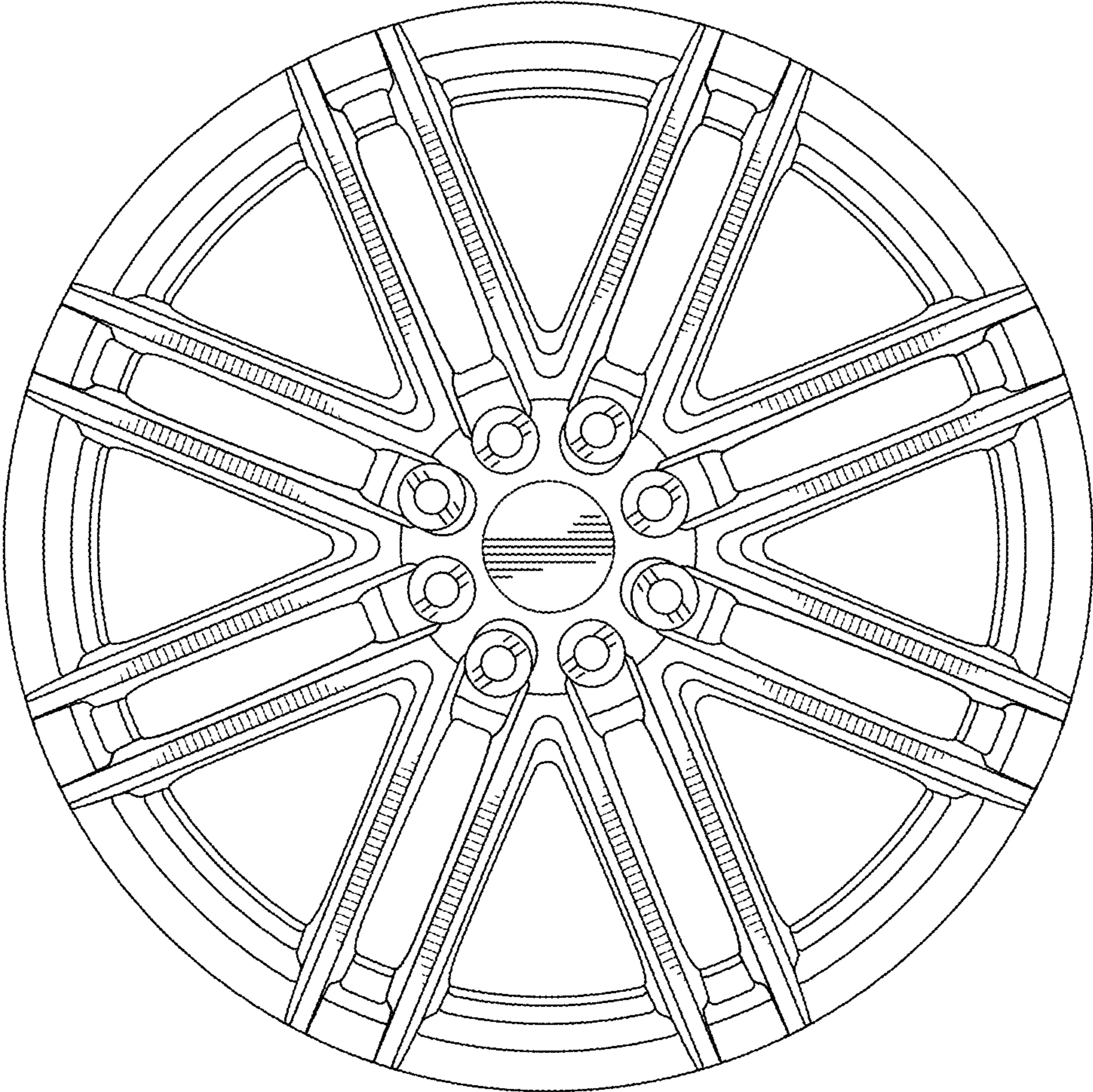


FIG. 1

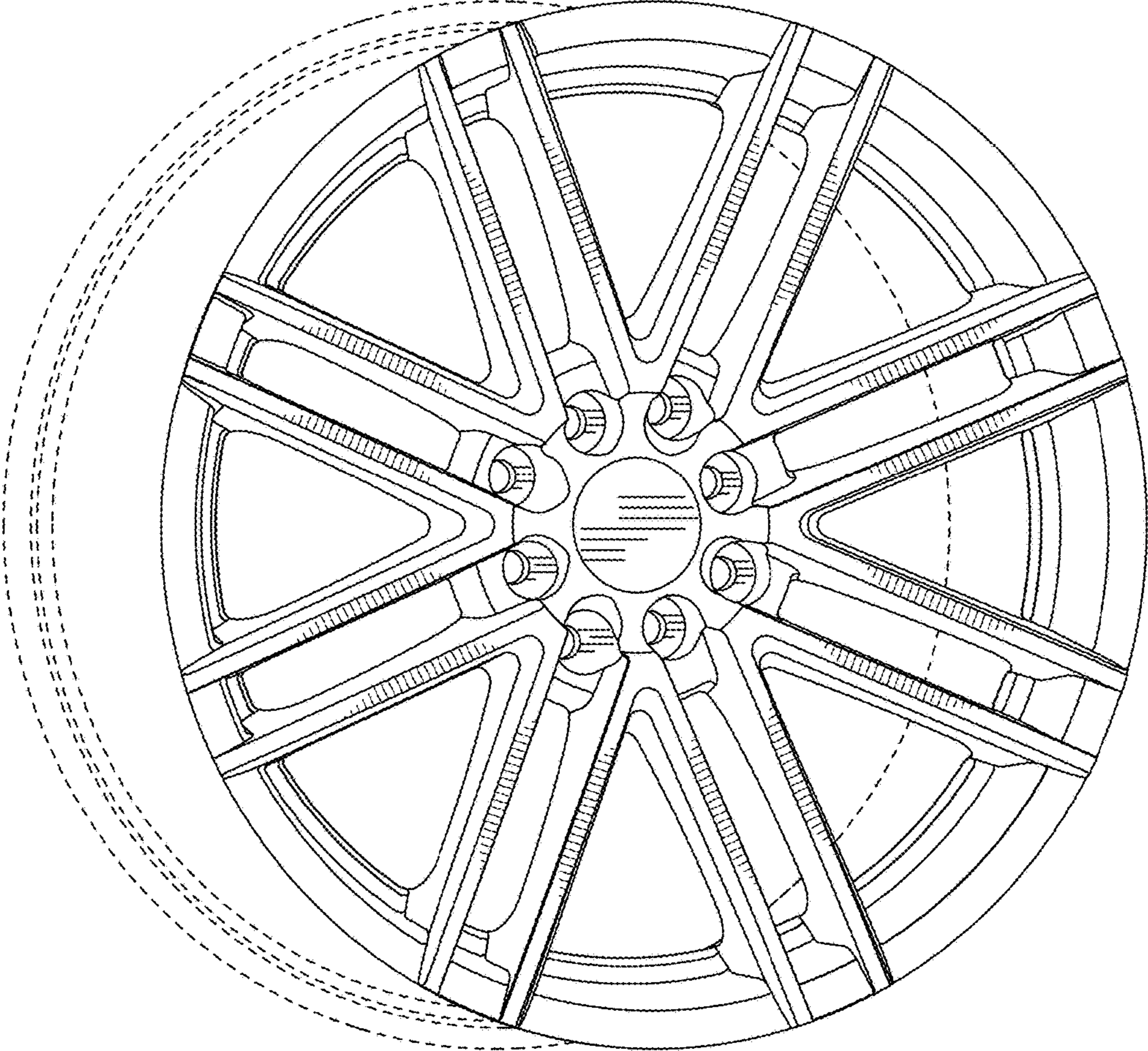


FIG. 2