



US00D830931S

(12) **United States Design Patent**
Factor

(10) **Patent No.:** **US D830,931 S**

(45) **Date of Patent:** **** Oct. 16, 2018**

(54) **WHEEL**

(71) Applicant: **Valley Custom Tire, Inc.**, Vernon, CA (US)

(72) Inventor: **Stephen Factor**, Vernon, CA (US)

(73) Assignee: **VALLEY CUSTOM TIRE, INC.**, Vernon, CA (US)

(**) Term: **15 Years**

(21) Appl. No.: **29/575,663**

(22) Filed: **Aug. 26, 2016**

(51) **LOC (11) Cl.** **12-16**

(52) **U.S. Cl.**
USPC **D12/209**

(58) **Field of Classification Search**
USPC D12/204-213; D21/533, 561, 563
CPC B60B 7/00; B60B 7/02; B60B 7/04; B60B 7/06; B60B 3/02; B60B 3/04; B60B 3/06; B60B 3/10; B60B 1/00; B60B 1/08; B60B 1/10; B60B 1/12

See application file for complete search history.

(56) **References Cited**

U.S. PATENT DOCUMENTS

D532,736 S * 11/2006 Ettensberger D12/209
D709,428 S * 7/2014 Chung D12/209

D714,202 S * 9/2014 Kim D12/209
D718,203 S * 11/2014 Whyte D12/209
D726,621 S * 4/2015 Alfonso D12/209
D746,209 S * 12/2015 Chung D12/209
D754,046 S * 4/2016 Chung D12/209
D767,465 S * 9/2016 Liffick D12/209
D772,132 S * 11/2016 Kong D12/211
D787,412 S * 5/2017 Alfonso D12/211
D798,211 S * 9/2017 Chung D12/209
D811,978 S * 3/2018 Hodges D12/211
2005/0274015 A1 * 12/2005 Tanaka B21D 53/26
23/894.354

* cited by examiner

Primary Examiner — Sheryl Lane

Assistant Examiner — Calvin E Vansant

(74) *Attorney, Agent, or Firm* — Cotman IP Law Group, PLC

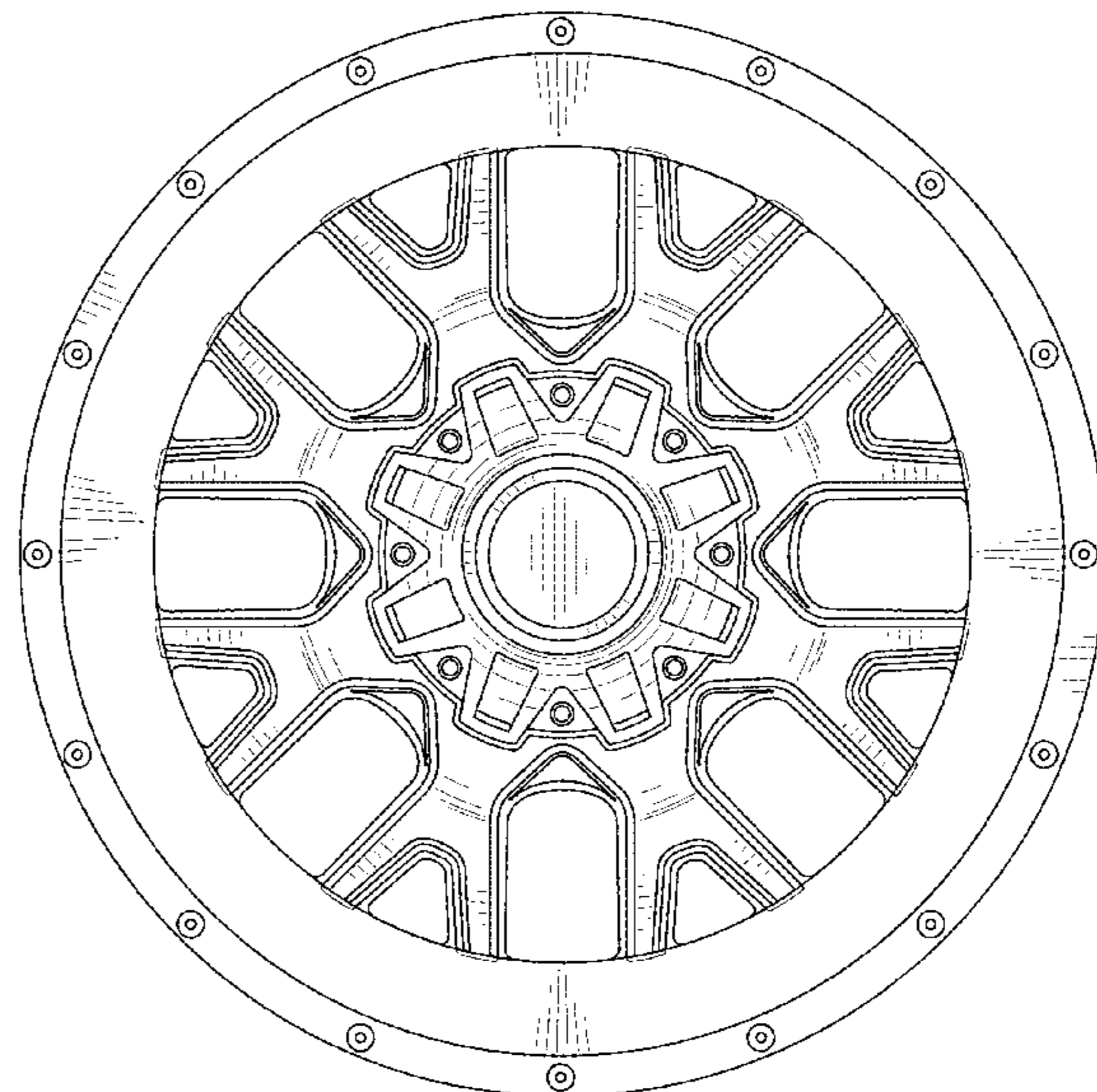
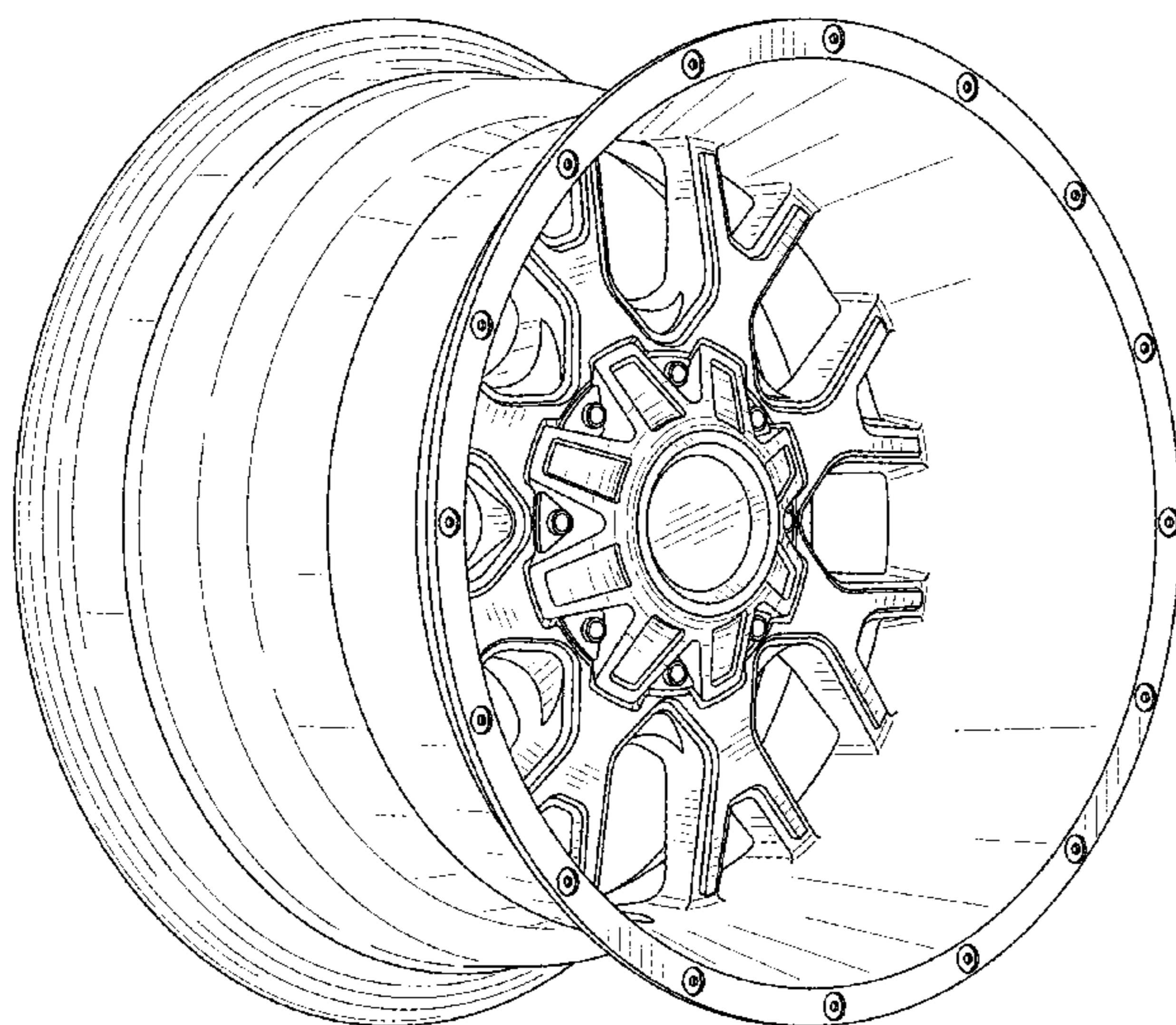
(57) **CLAIM**

The ornamental design for a wheel, as shown and described.

DESCRIPTION

FIG. 1 is a perspective view of a wheel according to the claimed design; and,
FIG. 2 is a front elevation view of the wheel of FIG. 1.

1 Claim, 2 Drawing Sheets



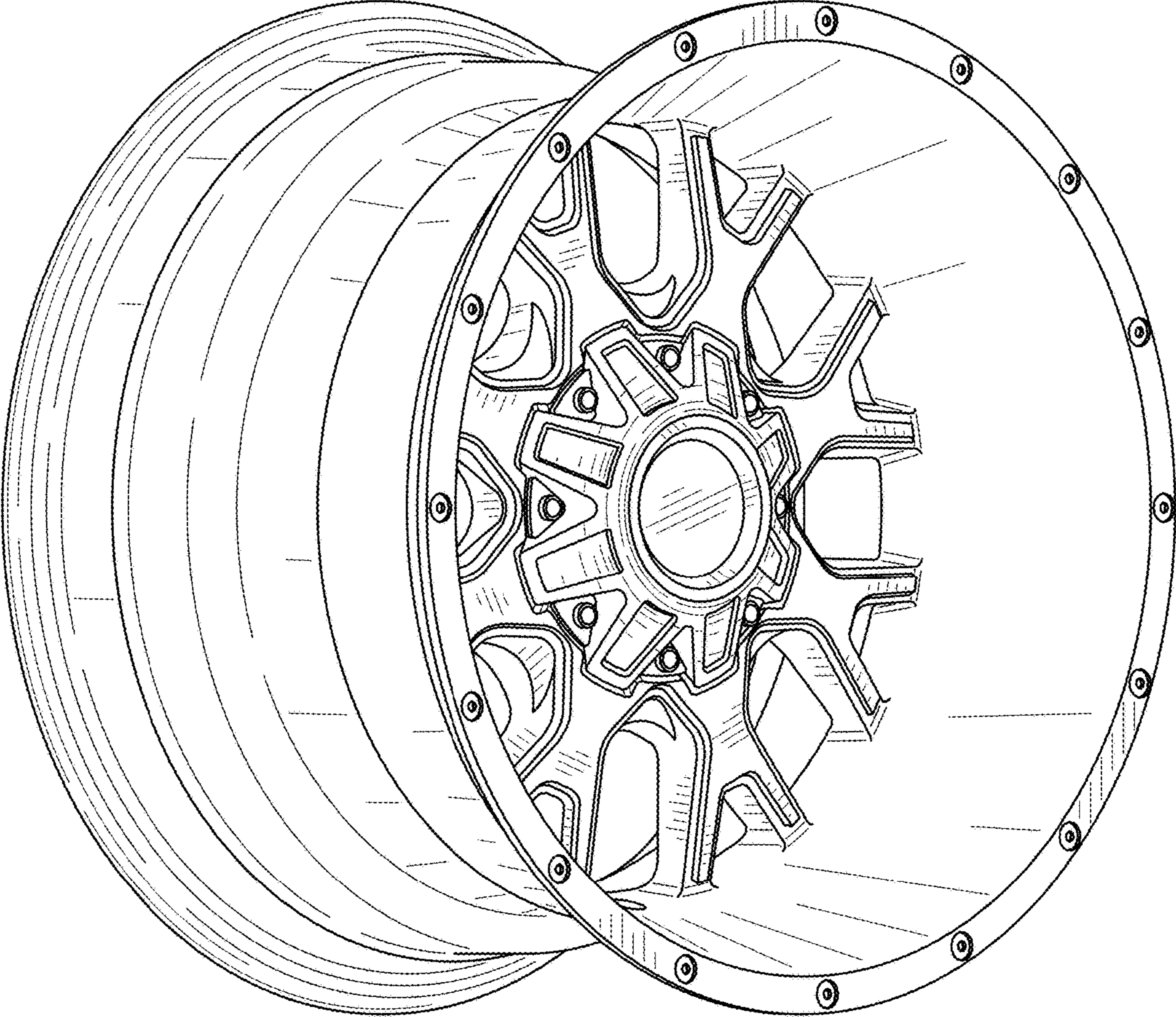


FIG. 1

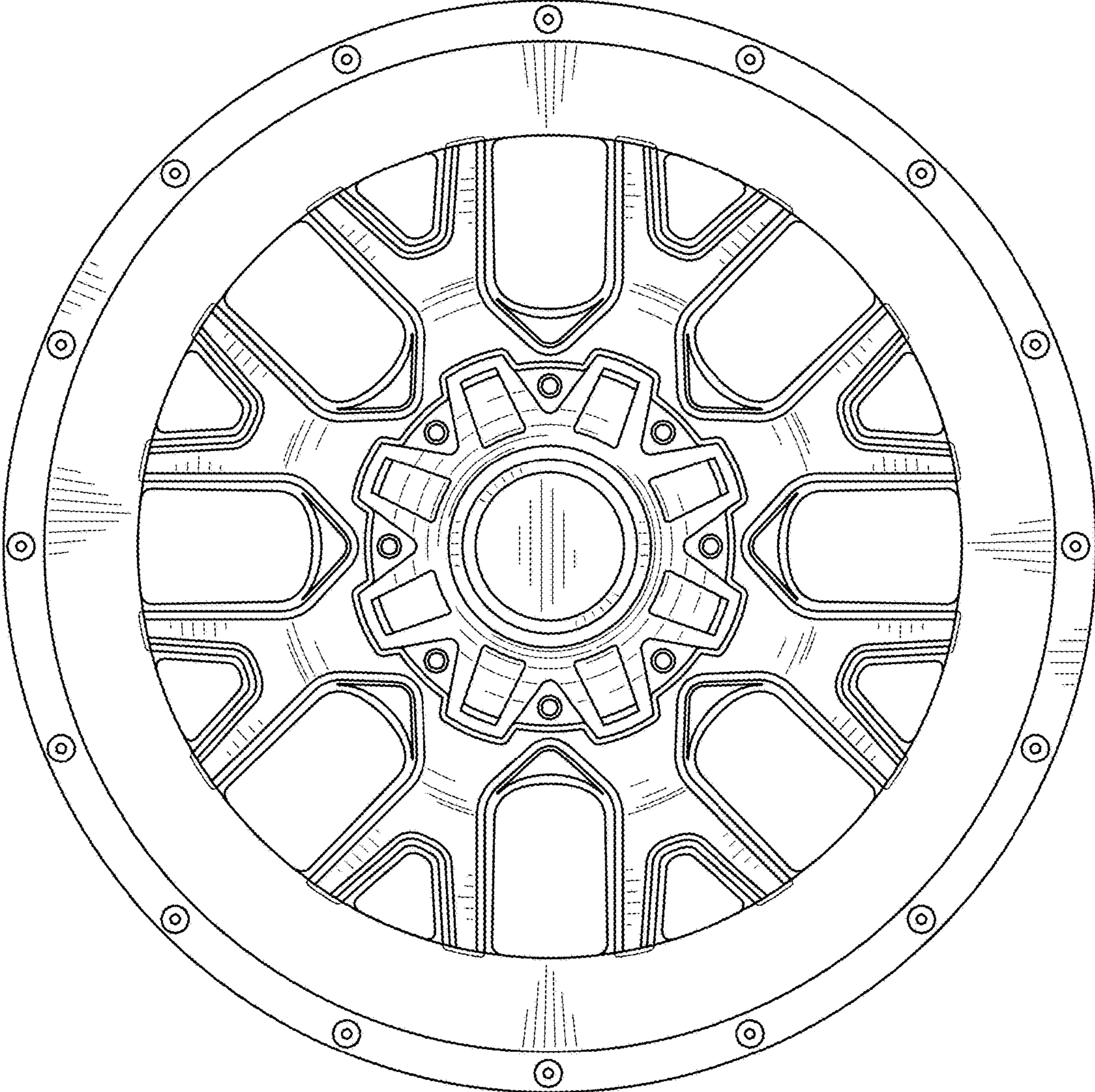


FIG. 2