



US00D830927S

(12) **United States Design Patent**
Tanaka et al.

(10) **Patent No.:** **US D830,927 S**
(45) **Date of Patent:** **** Oct. 16, 2018**

(54) **INSTRUMENT PANEL FOR AUTOMOBILE**

FOREIGN PATENT DOCUMENTS

- (71) Applicant: **Nissan Motor Co., Ltd.**, Yokohama, Kanagawa (JP)
- (72) Inventors: **Senji Tanaka**, Kanagawa (JP); **Takuga Karasawa**, Kanagawa (JP); **Satoru Matsushima**, Kanagawa (JP)
- (73) Assignee: **Nissan Motor Co., Ltd.**, Yokohama (JP)
- (**) Term: **15 Years**

JP	D1434928 S	3/2012
JP	D1449364 S	8/2012
JP	D1449379 S	8/2012
JP	D1480100 S	9/2013
JP	D1481477 S	10/2013
JP	D1462021 S	2/2014
JP	D1501982 S	7/2014
JP	D1549250 S	5/2016

* cited by examiner

Primary Examiner — Katrina A Betton

- (21) Appl. No.: **29/607,014**
- (22) Filed: **Jun. 9, 2017**

(30) **Foreign Application Priority Data**

Dec. 12, 2016 (JP) 2016-026867

(51) **LOC (11) Cl.** **12-16**

(52) **U.S. Cl.**
USPC **D12/192**

(58) **Field of Classification Search**
USPC D12/192, 415, 418, 419, 110, 114, 345;
D15/17, 28; D10/46, 98, 102-103,
D10/122-127

CPC G08G 1/096883; G01C 21/16; G01C
21/3688; G01C 21/30

See application file for complete search history.

(56) **References Cited**

U.S. PATENT DOCUMENTS

D791,664 S *	7/2017	Igarashi	D12/192
D793,931 S *	8/2017	Lee	D12/192
D800,040 S *	10/2017	Kasano	D12/192
D803,743 S *	11/2017	Igarashi	D12/192
D804,380 S *	12/2017	Nakai	D12/192
D807,266 S *	1/2018	Hasegawa	D12/192
D810,643 S *	2/2018	Takamura	D12/192
D812,536 S *	3/2018	Matsuda	D12/192
2016/0297368 A1 *	10/2016	Huebner	B60R 7/06

(57) **CLAIM**

The ornamental design for an instrument panel for an automobile, as shown and described.

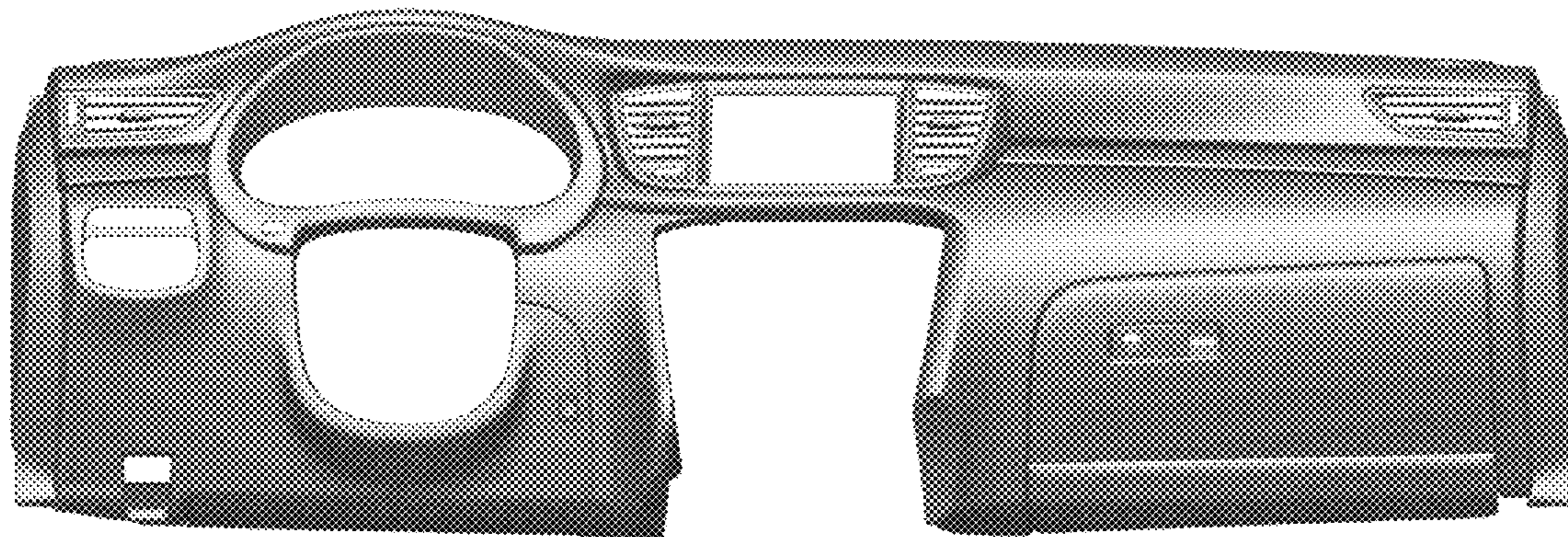
DESCRIPTION

FIG. 1 is a front elevational view of an instrument panel for an automobile in accordance with our new design; FIG. 2 is a top plan view thereof; FIG. 3 is a bottom plan view thereof; FIG. 4 is a left side elevational view thereof; FIG. 5 is a right side elevational view thereof; FIG. 6 is a first side perspective view thereof; and, FIG. 7 is a second side perspective view thereof.

The rear view and rear surfaces of the instrument panel forms no part of the claimed design. The instrument panel is configured to be mounted to an automobile. The inside surfaces, shown in broken lines FIGS. 2 to 7 of the instrument panel, form no part of the claimed design since the inside surfaces are hidden when the instrument panel is mounted to the automobile.

A second embodiment of our new design is identical to the first embodiment. The second embodiment of our new design includes the mirror image of the instrument panel shown in FIGS. 1 to 7.

1 Claim, 7 Drawing Sheets



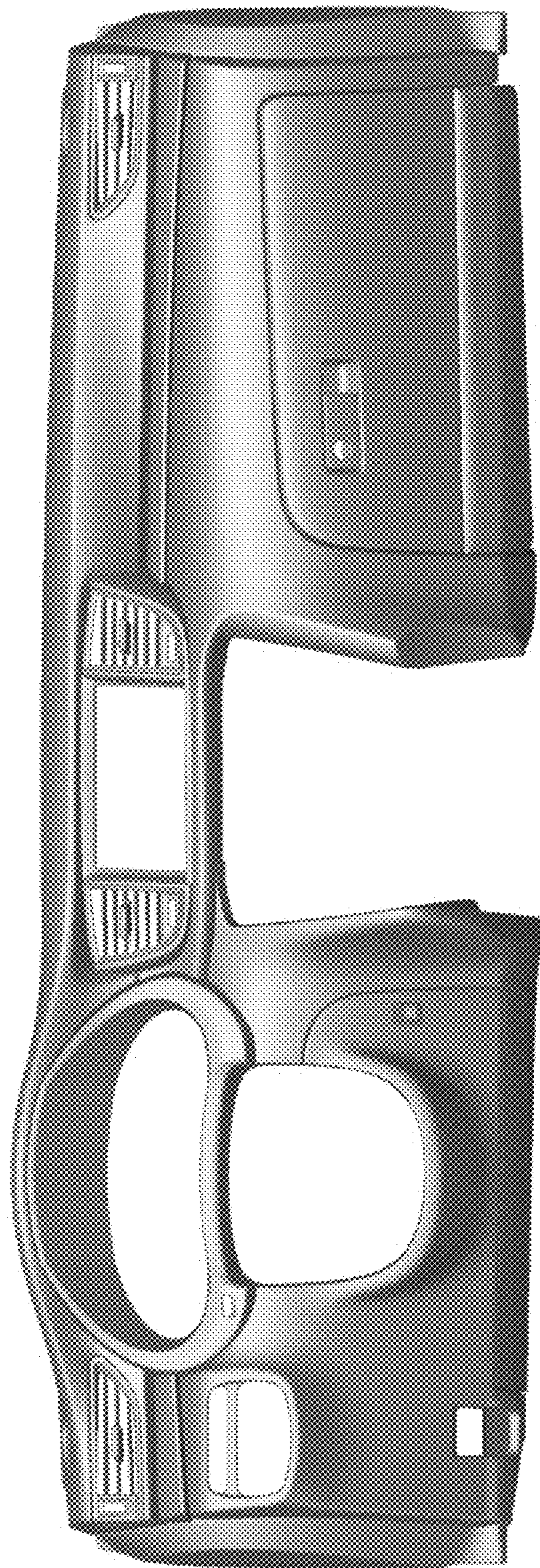


FIG. 1

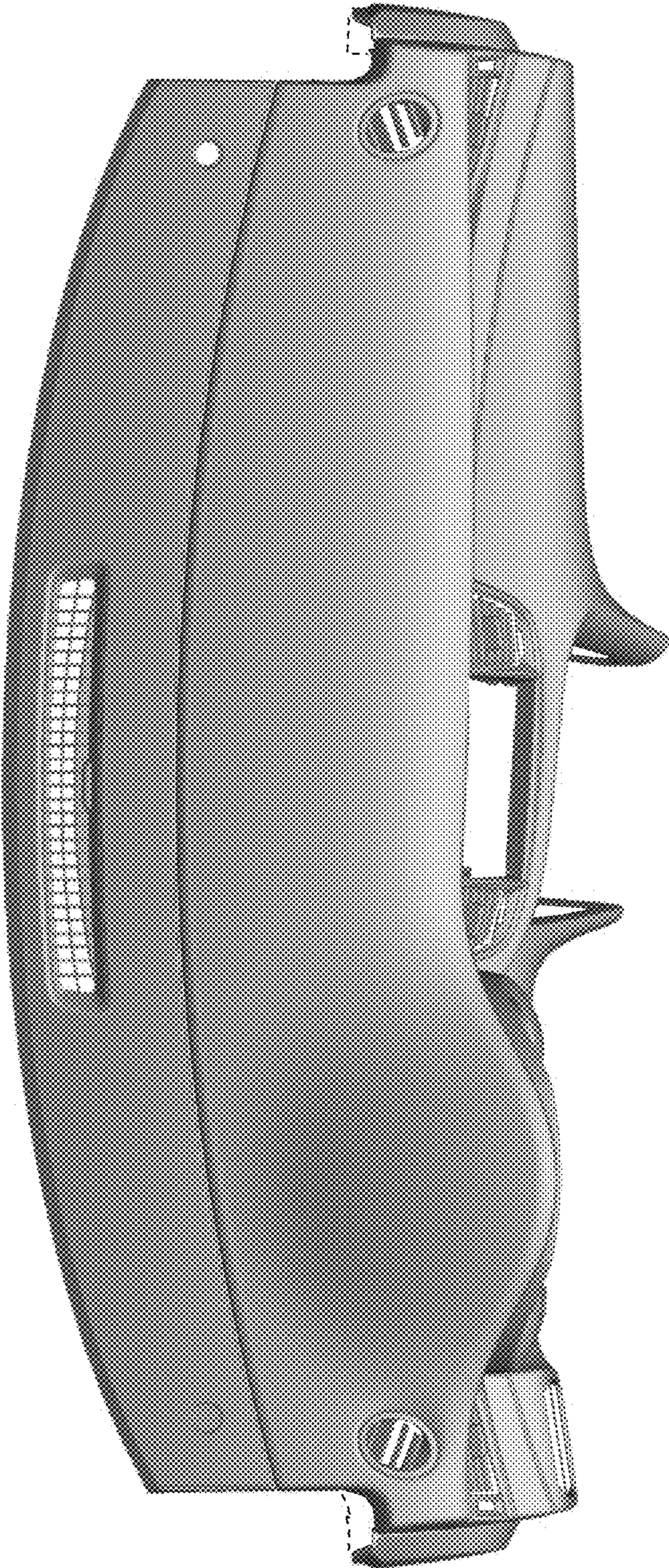


FIG. 2

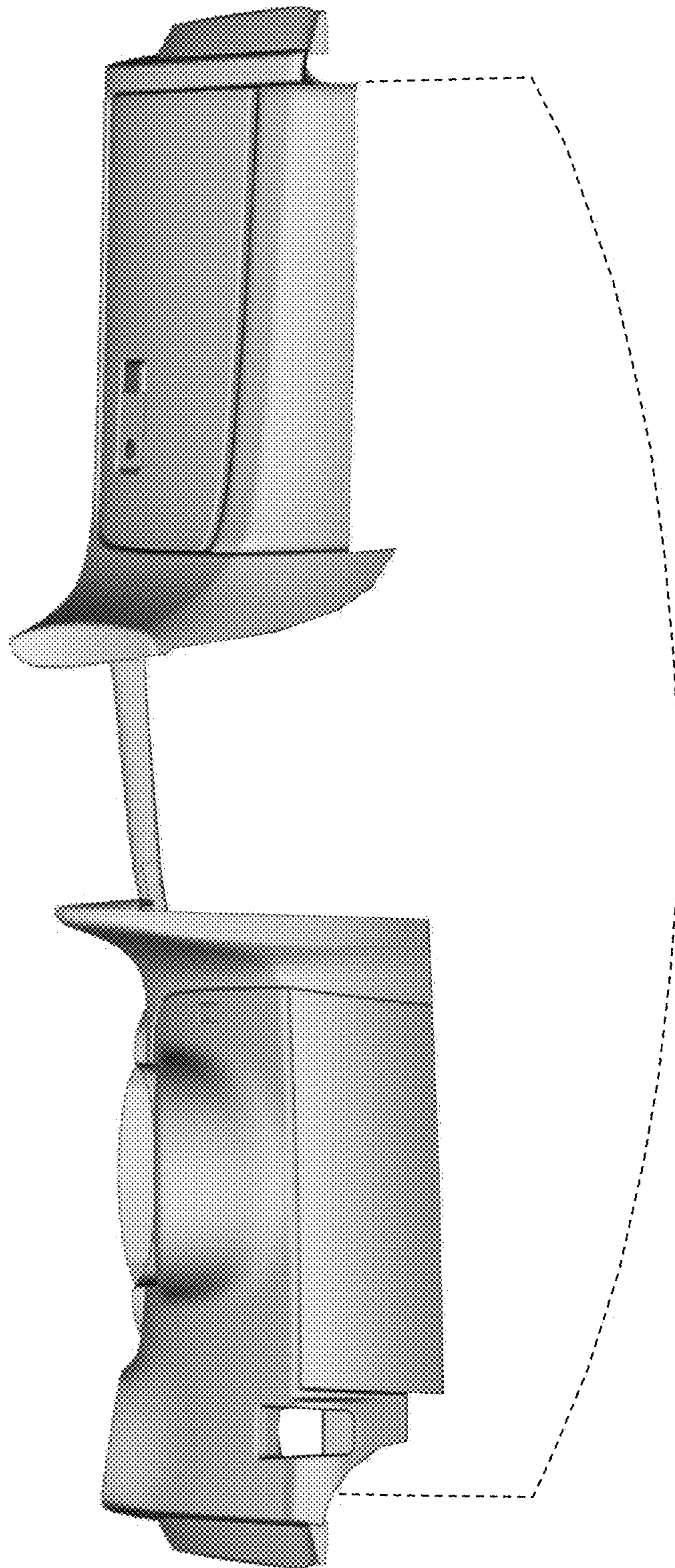


FIG. 3

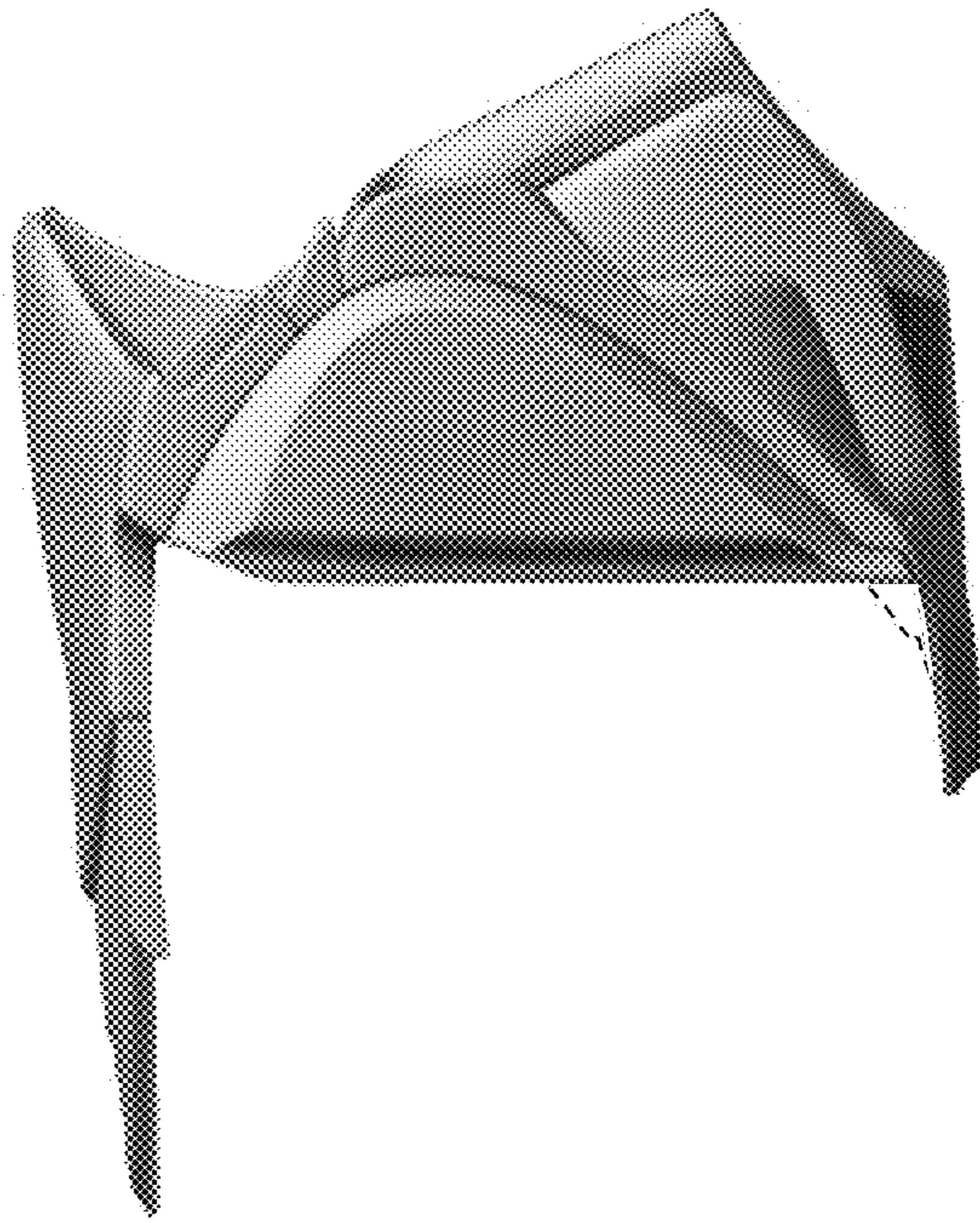


FIG. 4

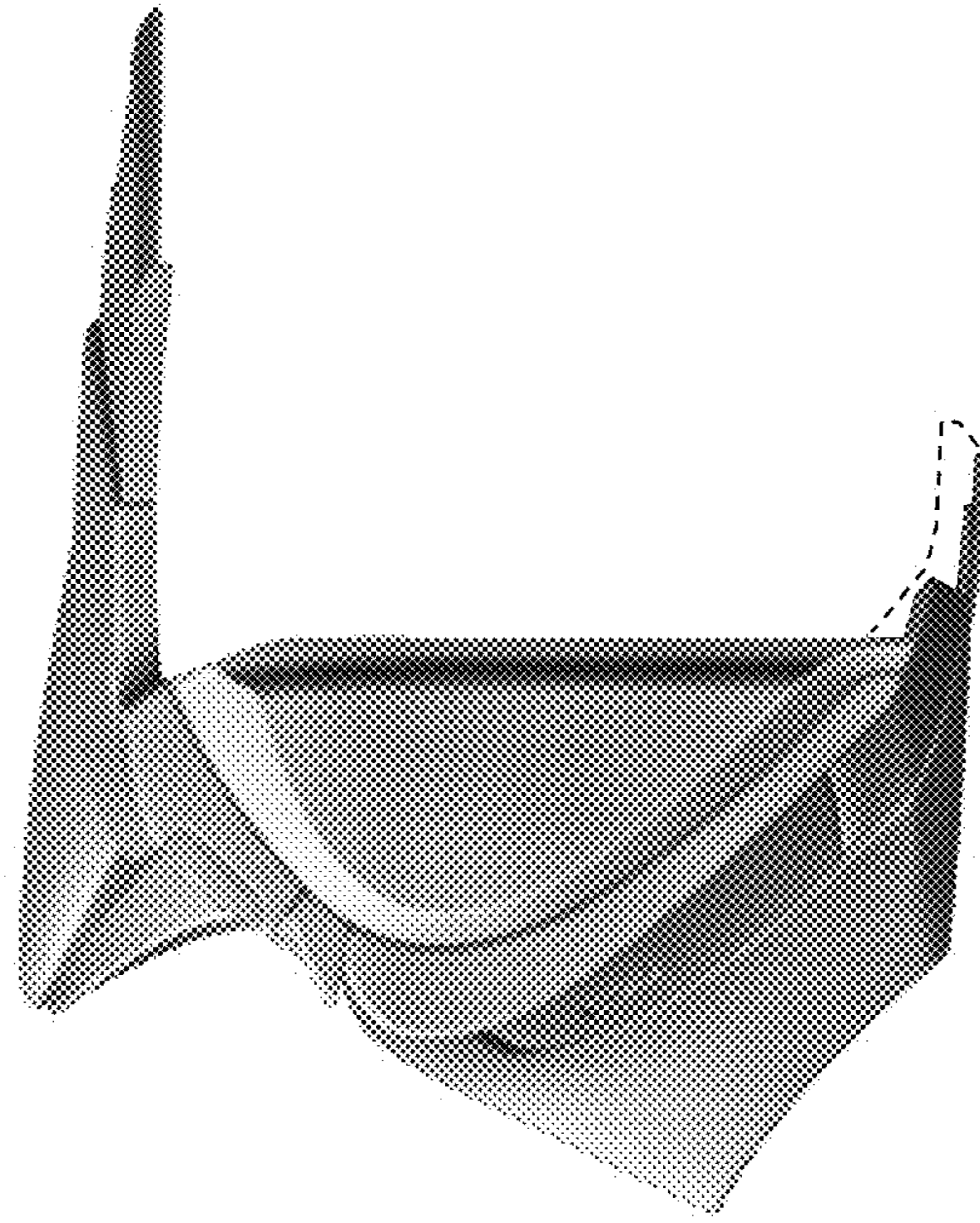


FIG. 5

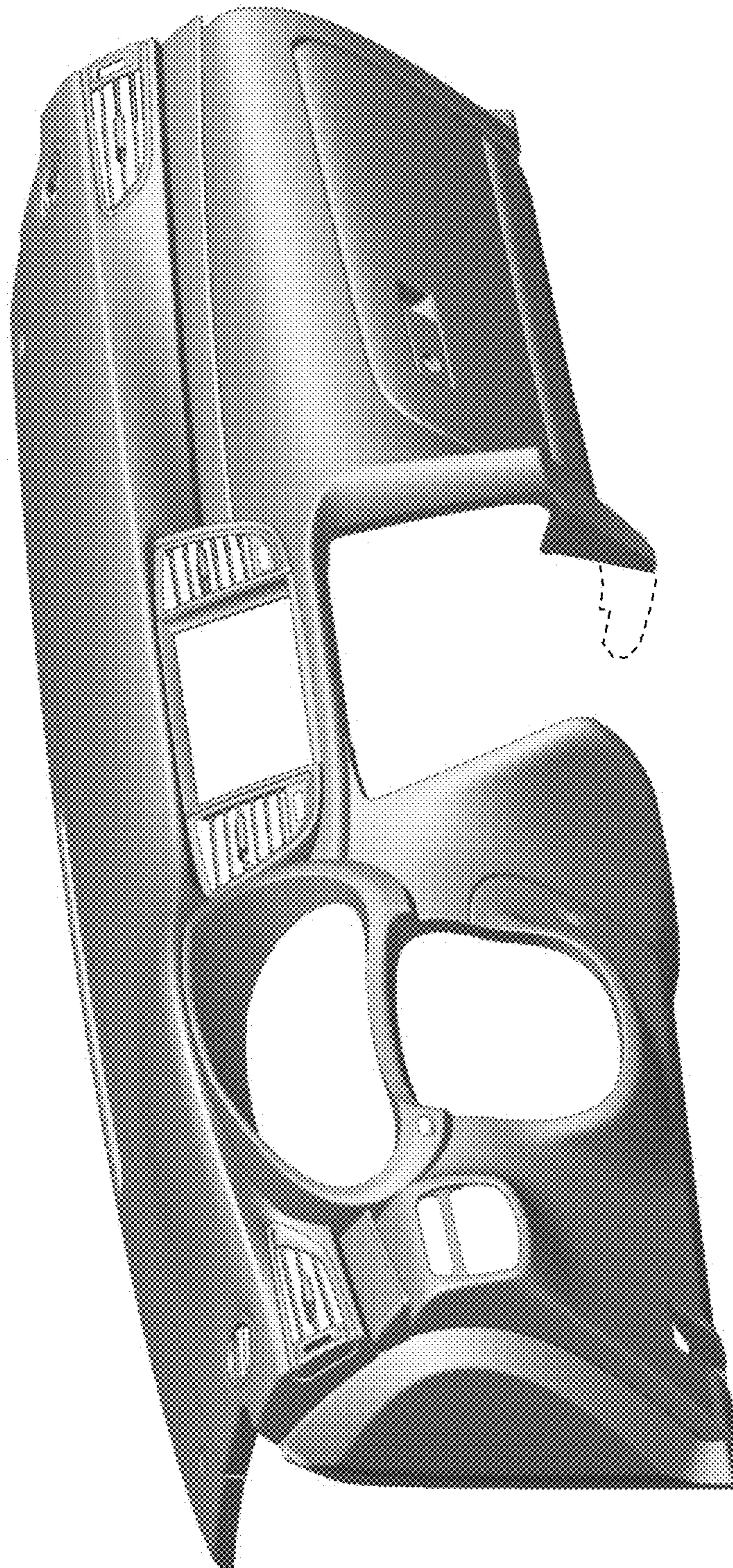


FIG. 6



FIG. 7