



US00D830923S

(12) **United States Design Patent** (10) **Patent No.:** **US D830,923 S**
Tang (45) **Date of Patent:** **** Oct. 16, 2018**

(54) **VEHICLE BULL BAR**
(71) Applicant: **Wai Kin Tang**, City of Industry, CA (US)
(72) Inventor: **Wai Kin Tang**, City of Industry, CA (US)
(**) Term: **15 Years**
(21) Appl. No.: **29/642,314**
(22) Filed: **Mar. 28, 2018**
(51) **LOC (11) Cl.** **12-16**
(52) **U.S. Cl.**
USPC **D12/171**
(58) **Field of Classification Search**
USPC D12/86, 90, 91, 92, 163, 164, 169, 171, D12/196, 216
CPC B60R 19/02; B60R 19/18; B60R 19/24; B60R 19/56; B60R 2019/007; B62D 25/0845
See application file for complete search history.

D532,348 S * 11/2006 Kudo D12/171
D580,322 S * 11/2008 Schroeder D12/107
7,703,834 B1 * 4/2010 Hardy B60R 9/06 296/102
D716,201 S * 10/2014 Ewing D12/171
D724,505 S * 3/2015 Schroeder D12/171
D737,181 S 8/2015 Smith
D743,856 S * 11/2015 Ma D12/171
D785,504 S * 5/2017 Higgs D12/91
D788,827 S * 6/2017 Okuyama D15/28
D809,684 S * 2/2018 Wymore D26/34
D810,639 S * 2/2018 Li D12/171
D811,967 S * 3/2018 Brown D12/171

* cited by examiner

Primary Examiner — Darlington Ly
(74) *Attorney, Agent, or Firm* — Kirk A. Buhler; Buhler & Associates

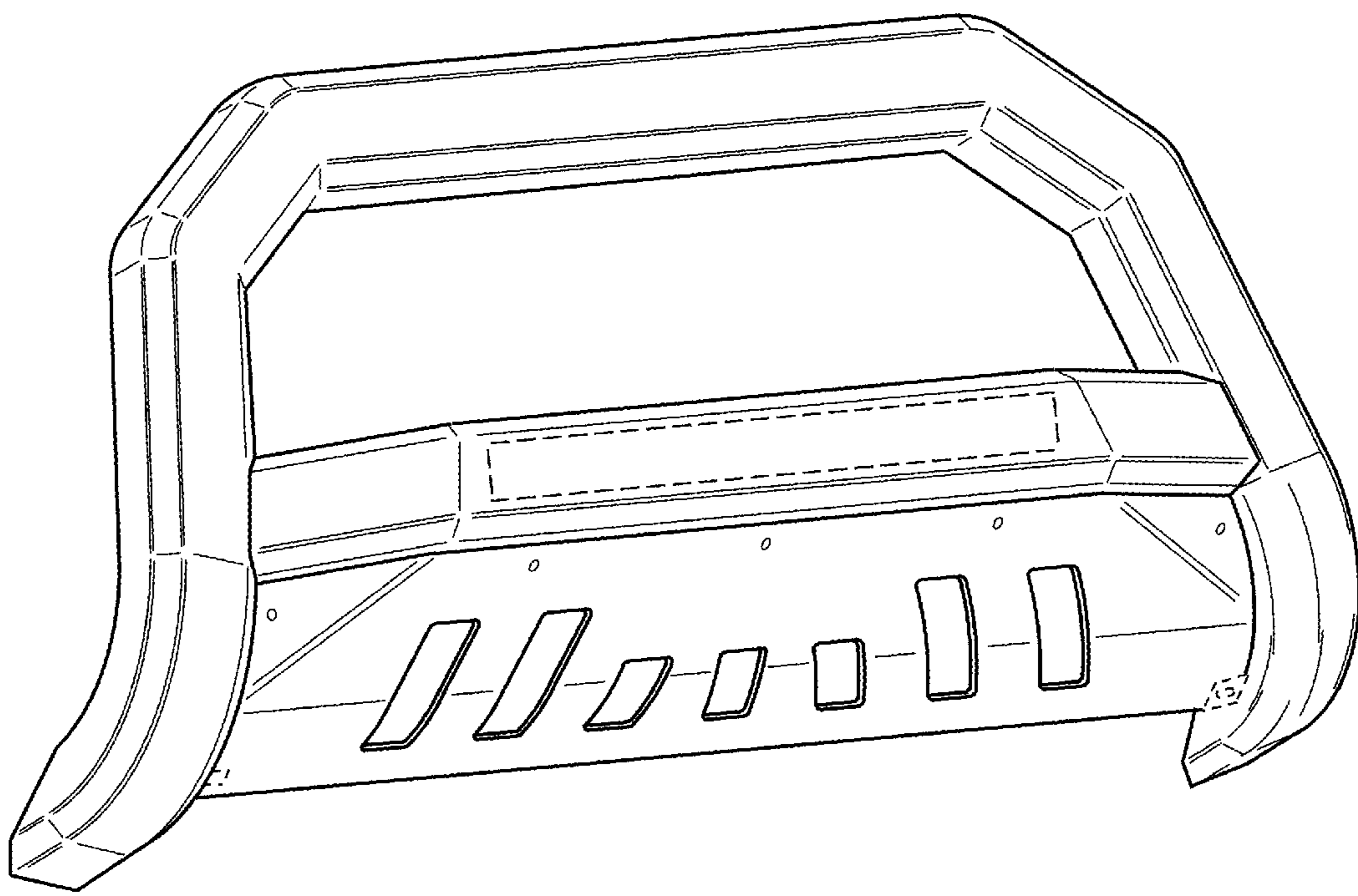
(57) **CLAIM**
The ornamental design for a vehicle bull bar, as shown and described.

DESCRIPTION

FIG. 1 is a top perspective view of a vehicle bull bar showing my new design;
FIG. 2 is a front elevation view thereof;
FIG. 3 is a rear elevation view thereof;
FIG. 4 is a top plan view thereof;
FIG. 5 is a bottom plan view thereof;
FIG. 6 is a left side elevation view thereof; and,
FIG. 7 is a right side elevation view thereof.
The broken lines in the drawings illustrate portions of the vehicle bull bar that form no part of the claimed design.

1 Claim, 5 Drawing Sheets

(56) **References Cited**
U.S. PATENT DOCUMENTS
4,469,360 A 9/1984 Drury
D300,128 S * 3/1989 Brennan D12/169
D388,042 S * 12/1997 Thorne D12/171
D410,879 S * 6/1999 Orth, Sr. D12/171
D416,219 S * 11/1999 Waagenaar D12/171
D420,962 S * 2/2000 Chevalier D12/171
D425,462 S * 5/2000 Ujiie D12/171
D517,963 S * 3/2006 Potak D12/171
D527,696 S * 9/2006 Ichikawa D12/171



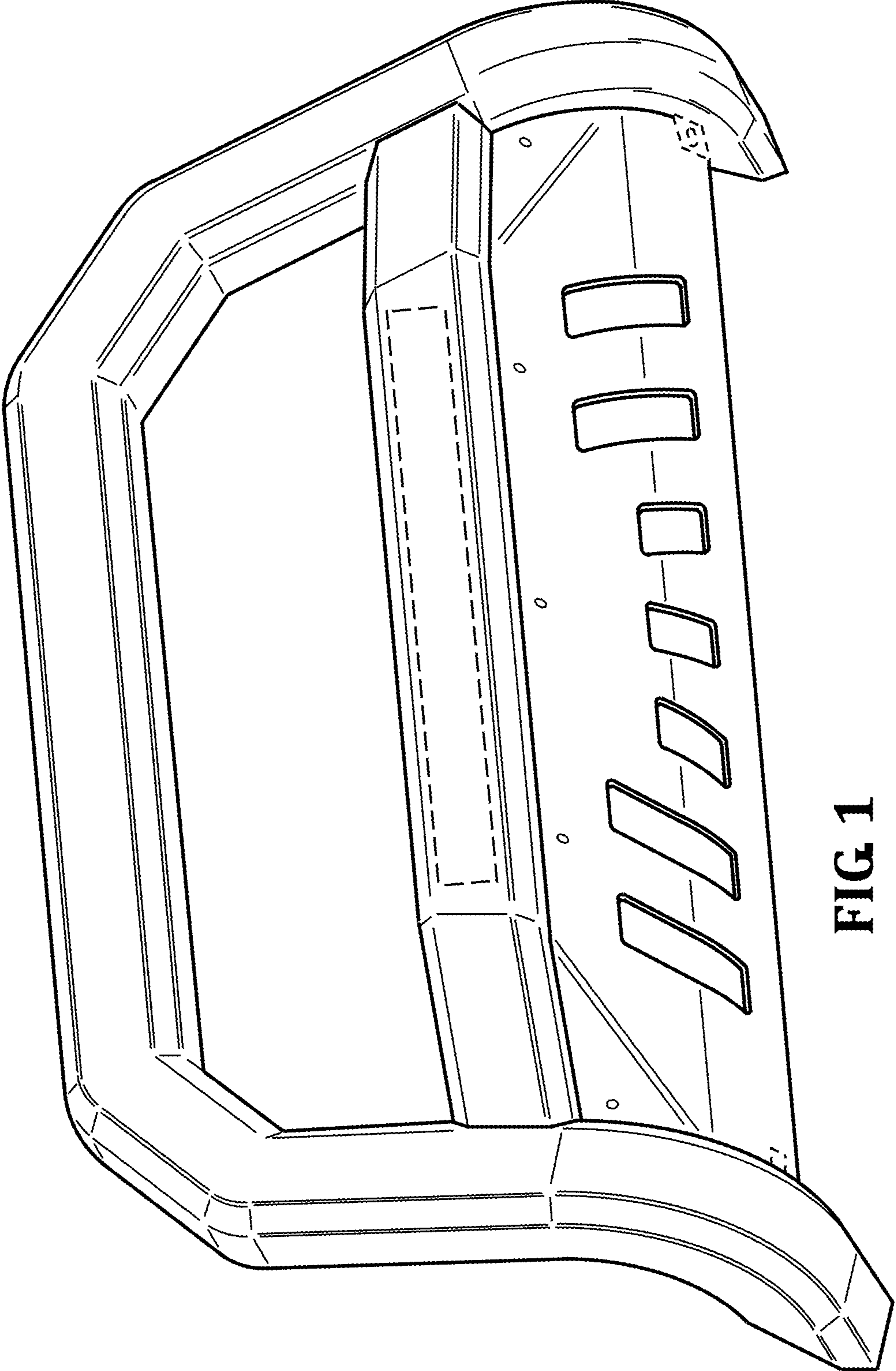


FIG 1

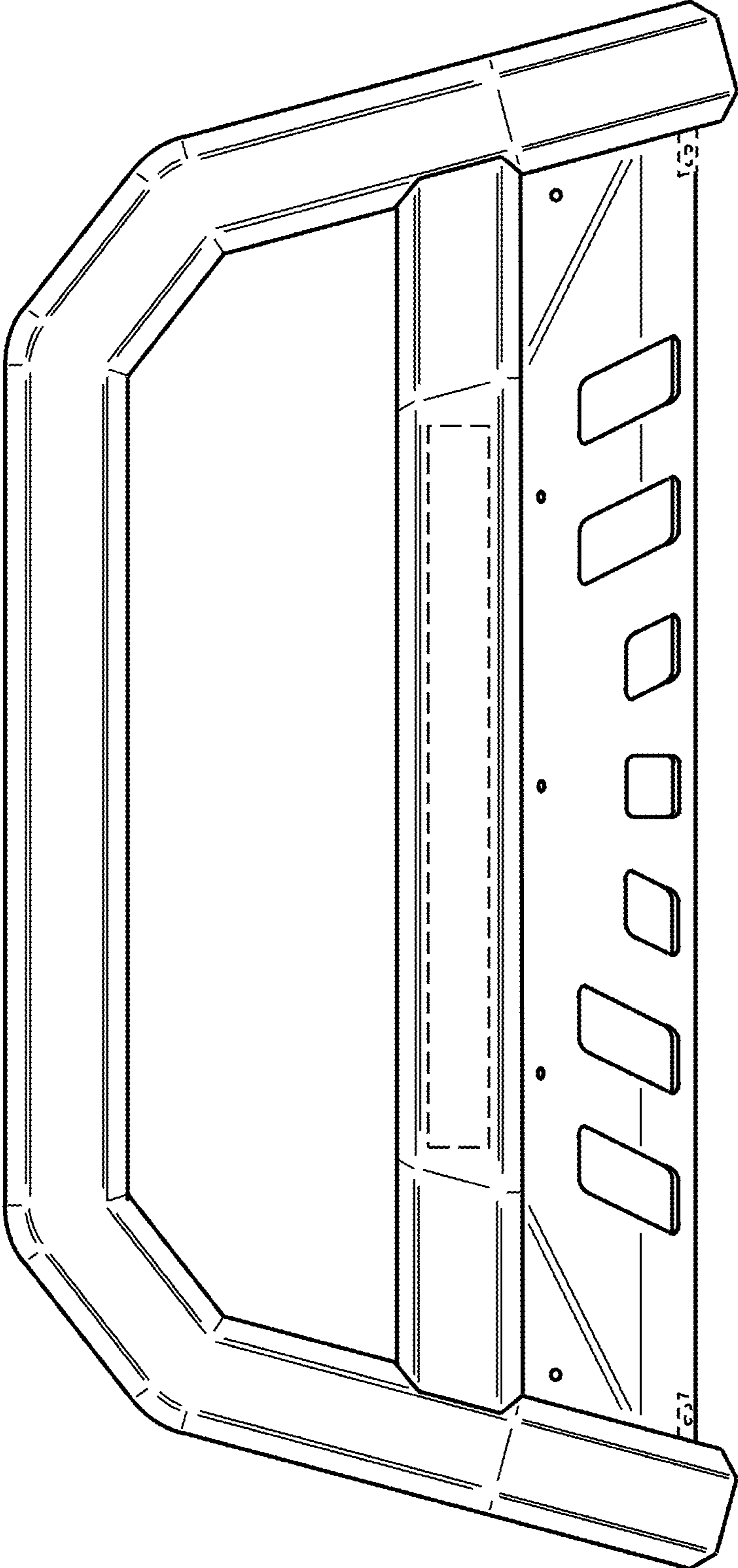


FIG 2

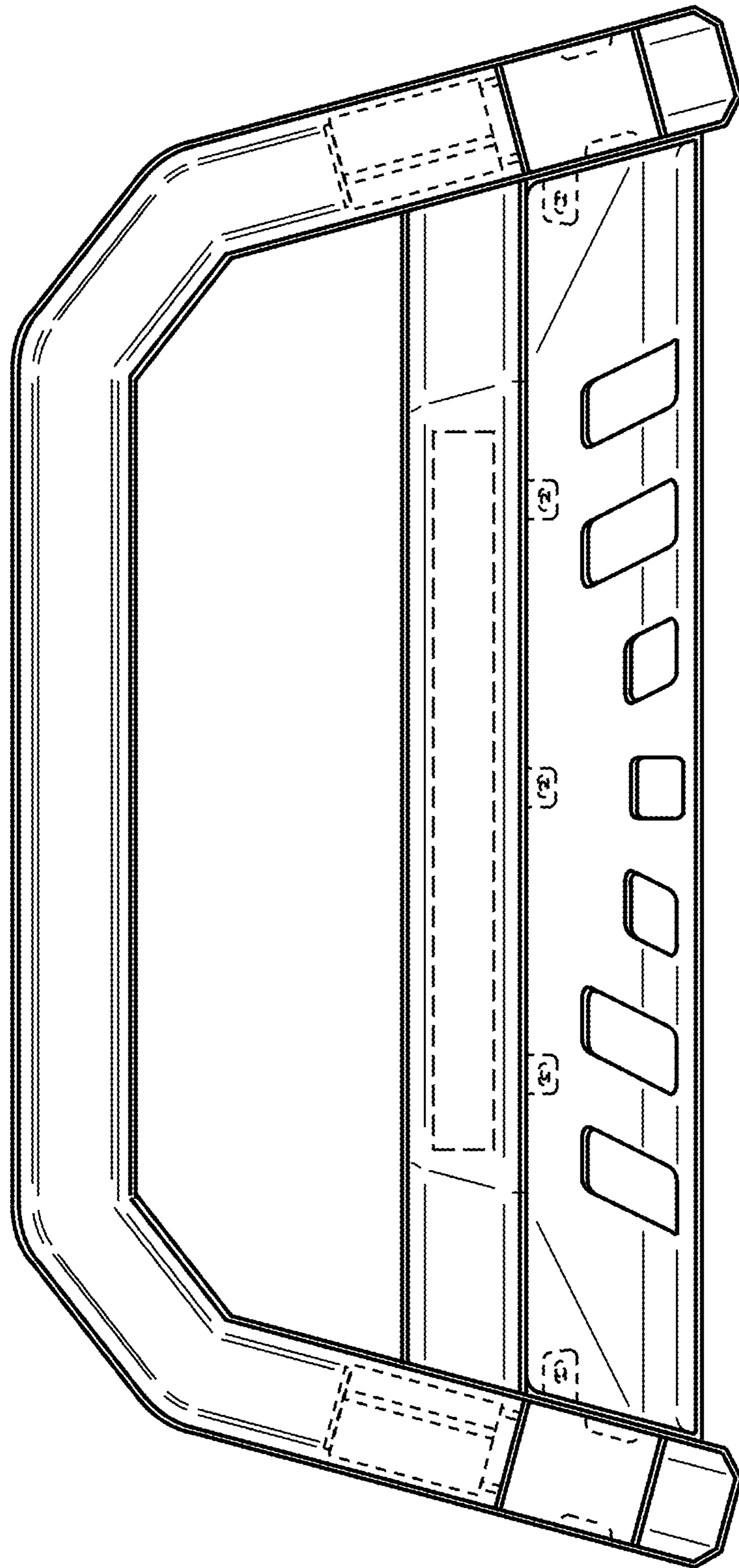


FIG 3

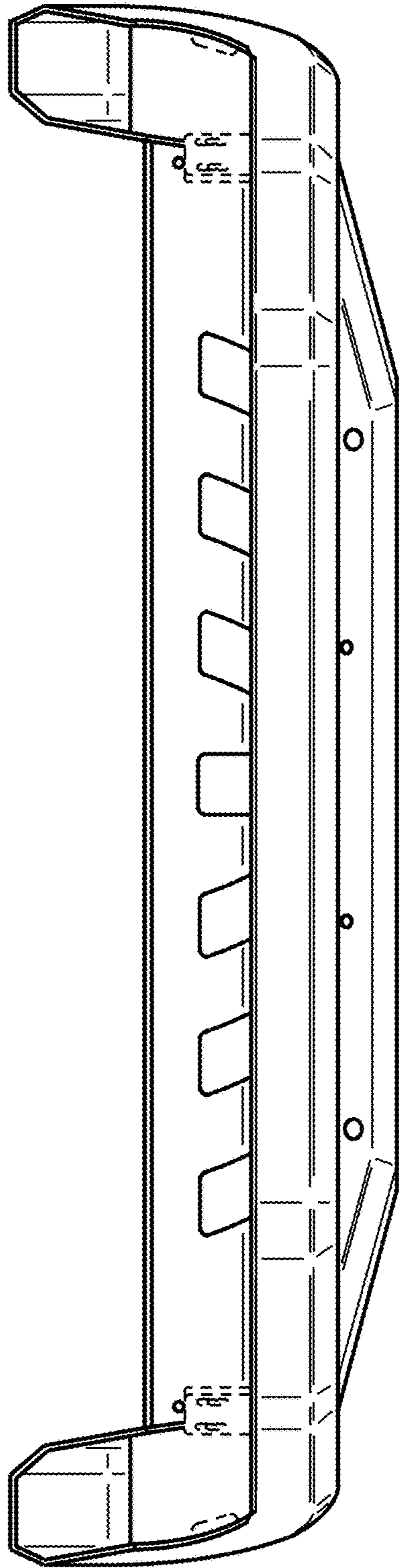


FIG 4

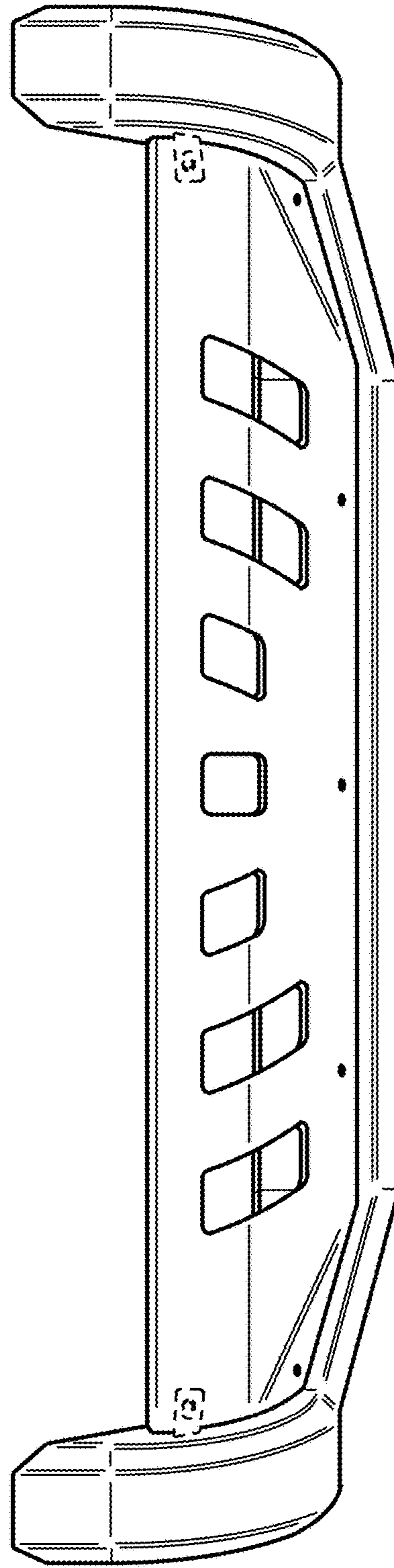


FIG 5

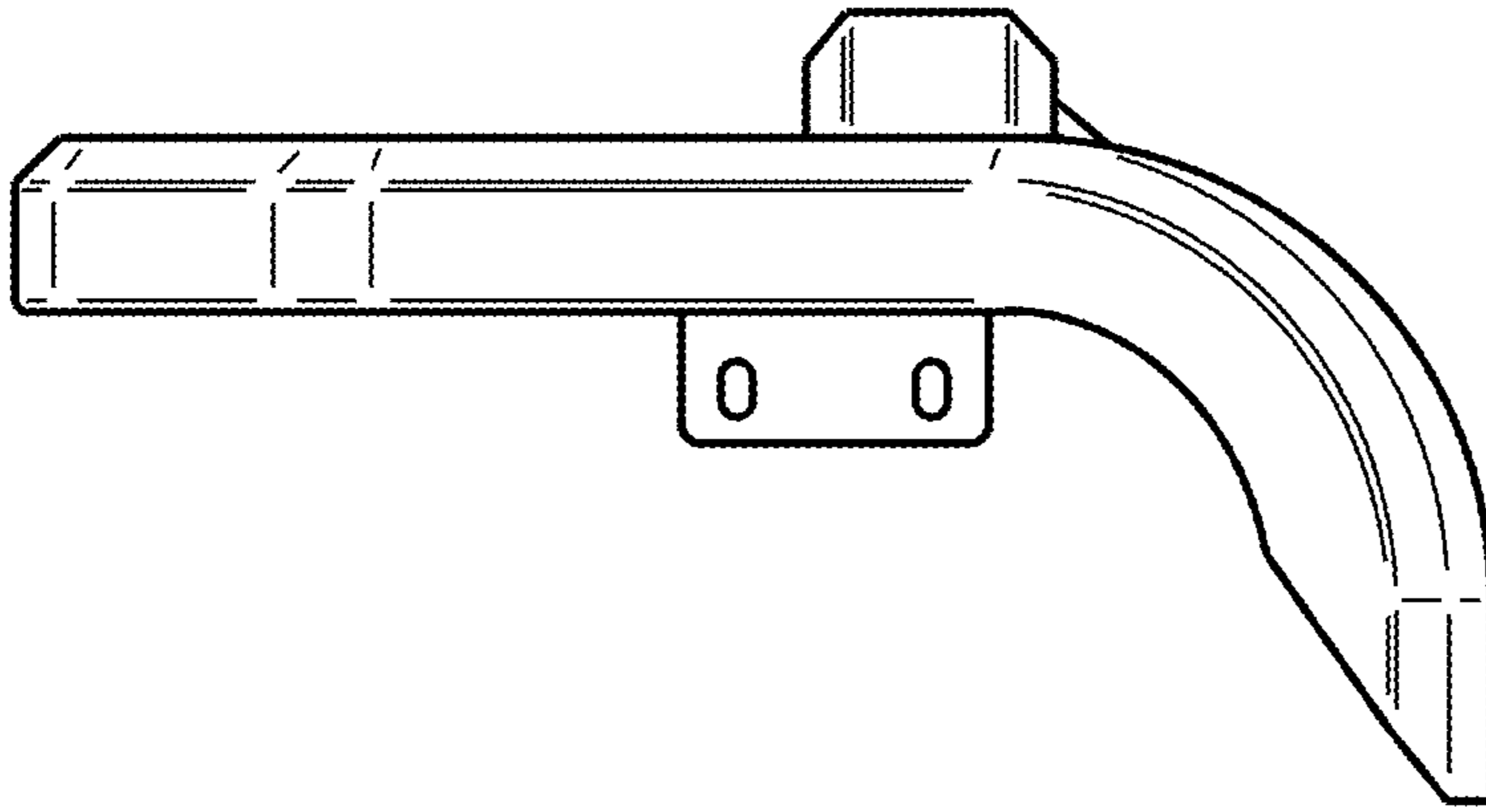


FIG 7

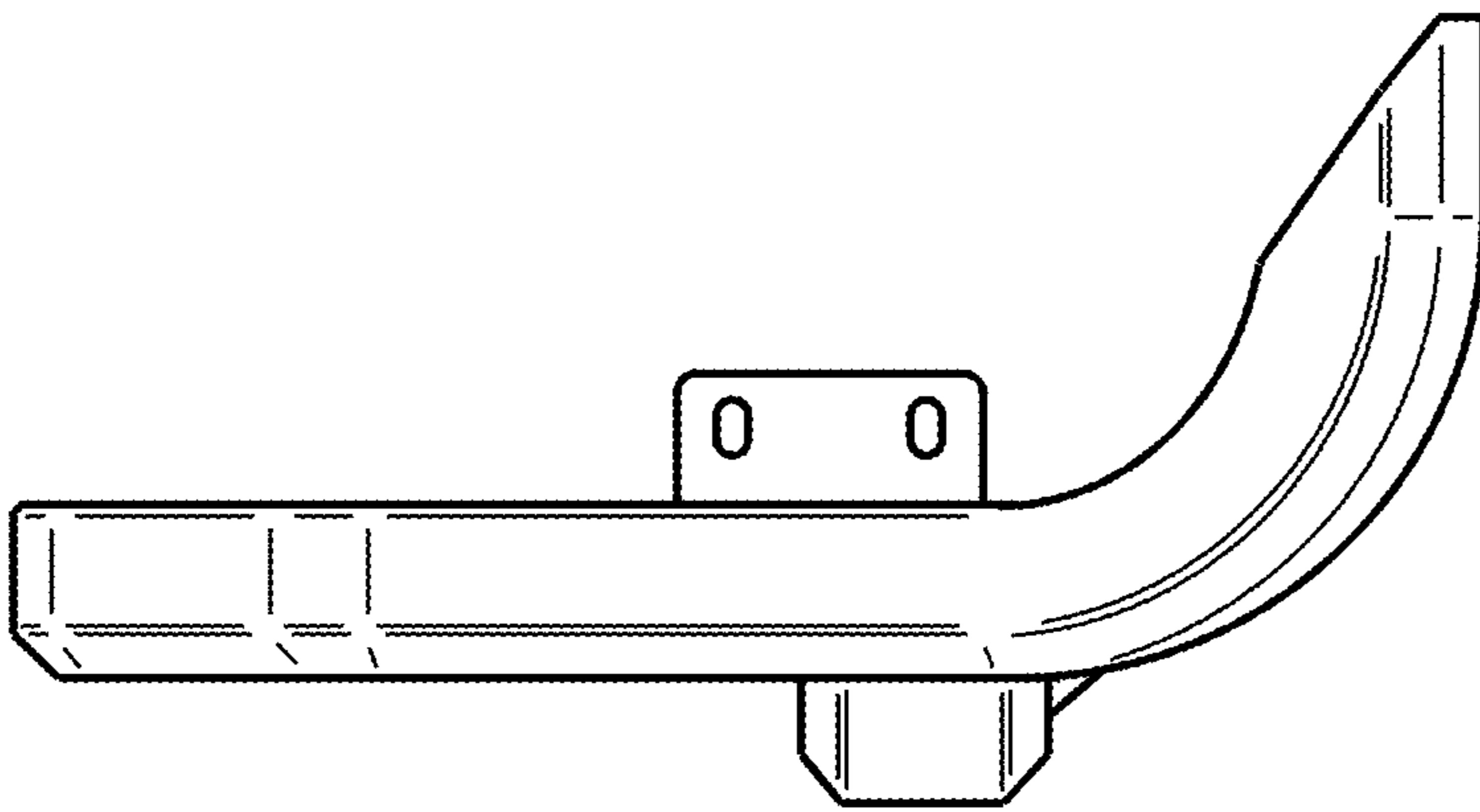


FIG 6