



US00D830920S

(12) **United States Design Patent**
Munakata et al.

(10) **Patent No.:** **US D830,920 S**
(45) **Date of Patent:** **** Oct. 16, 2018**

(54) **FRONT BUMPER FOR AUTOMOBILE**

FOREIGN PATENT DOCUMENTS

(71) Applicant: **Nissan Motor Co., Ltd.**, Yokohama,
Kanagawa (JP)

JP	D1391507 S	7/2010
JP	D1401635 S	11/2010
JP	D1445039 S	7/2012
JP	D1431646 S	1/2013
JP	D1472541 S	6/2014
JP	D1503116 S	7/2014
JP	D1526238 S	6/2015
JP	D1526536 S	6/2015
JP	D1540609 S	12/2015
JP	D1516873 S	2/2016
JP	D1518665 S	2/2016
JP	D1553801 S	7/2016
JP	D1563490 S	11/2016

(72) Inventors: **Kenichi Munakata**, Tokyo (JP);
Shinichi Nakagawa, Kanagawa (JP)

(73) Assignee: **Nissan Motor Co., Ltd.**, Yokohama
(JP)

(**) Term: **15 Years**

(Continued)

(21) Appl. No.: **29/602,095**

Primary Examiner — Melody N Brown

(22) Filed: **Apr. 28, 2017**

(30) **Foreign Application Priority Data**

(57) **CLAIM**

Oct. 31, 2016 (JP) 2016-023725

The ornamental design for a front bumper for an automobile,
as shown and described.

(51) **LOC (11) Cl.** **12-16**

DESCRIPTION

(52) **U.S. Cl.**

USPC **D12/169**

(58) **Field of Classification Search**

USPC D12/169, 216, 90-92, 86, 171, 196, 163;
293/102, 113, 115, 117, 120; 296/180.1,
296/180.2

CPC B60R 19/02; B60R 19/04; B62D 25/08

See application file for complete search history.

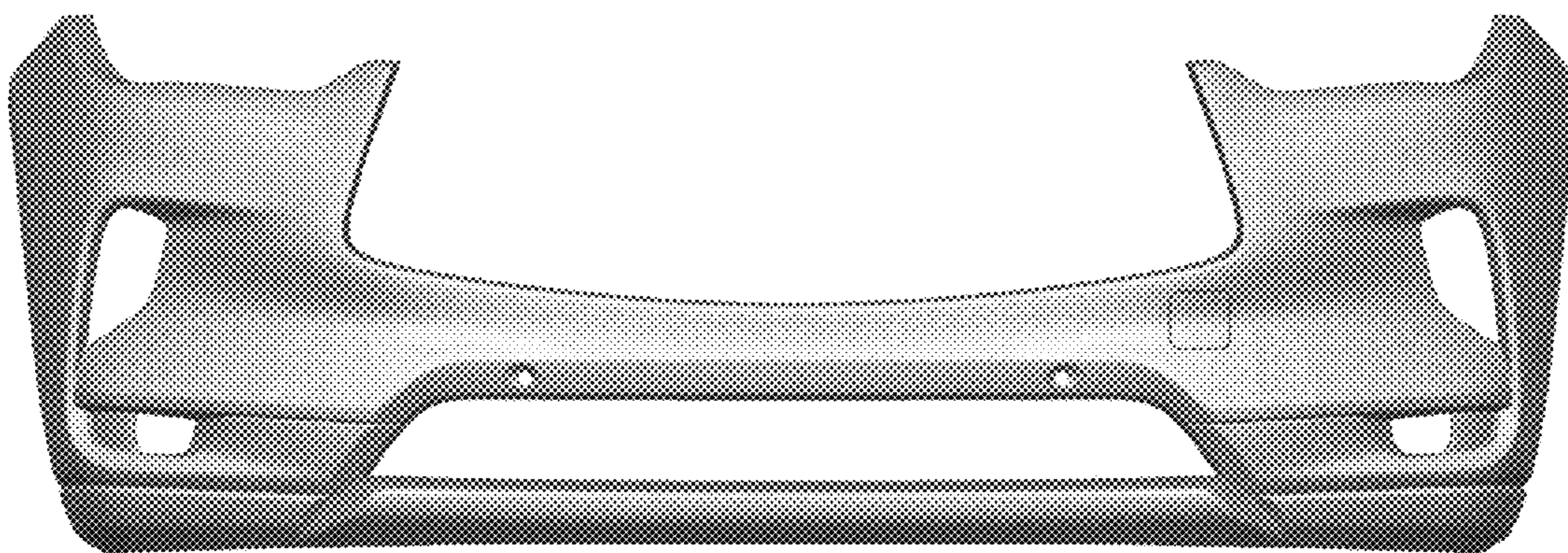
(56) **References Cited**

U.S. PATENT DOCUMENTS

D749,999 S	*	2/2016	Curic	D12/169
D760,132 S	*	6/2016	Choi	D12/169
D760,631 S	*	7/2016	Choi	D12/169
D775,010 S	*	12/2016	Kim	D12/169
D775,559 S	*	1/2017	Varga	D12/169
D784,867 S	*	4/2017	Sahara	D12/169
D793,926 S	*	8/2017	Potter	D12/169

FIG. 1 is a front elevational view of a front bumper for an automobile in accordance with our new design;
FIG. 2 is a top plan view thereof;
FIG. 3 is a bottom plan view thereof;
FIG. 4 is a left side elevational view thereof;
FIG. 5 is a right side elevational view thereof;
FIG. 6 is a bottom, front and left side perspective view thereof; and,
FIG. 7 is a top, front and right side perspective view thereof.
The rear view of the front bumper forms no part of the claimed design. In addition, the front bumper is configured to be mounted to an automobile. The inside surfaces of the front bumper, shown in broken lines in FIGS. 2, 3, 6 and 7, form no part of the claimed design since the inside surfaces are hidden when the front bumper is mounted to the automobile.

1 Claim, 7 Drawing Sheets



(56)

References Cited

FOREIGN PATENT DOCUMENTS

JP	D1568807 S	2/2017
JP	D1569008 S	2/2017
JP	D1550257 S	5/2017
JP	D1581231 S	7/2017
JP	D1576679 S	9/2017
JP	D1581471 S	9/2017
JP	D1510971 S	10/2017
JP	D1562821 S	10/2017
JP	D1590407 S	11/2017
JP	D1566363 S	12/2017
JP	D1574627 S	12/2017
JP	D1575159 S	4/2018

* cited by examiner

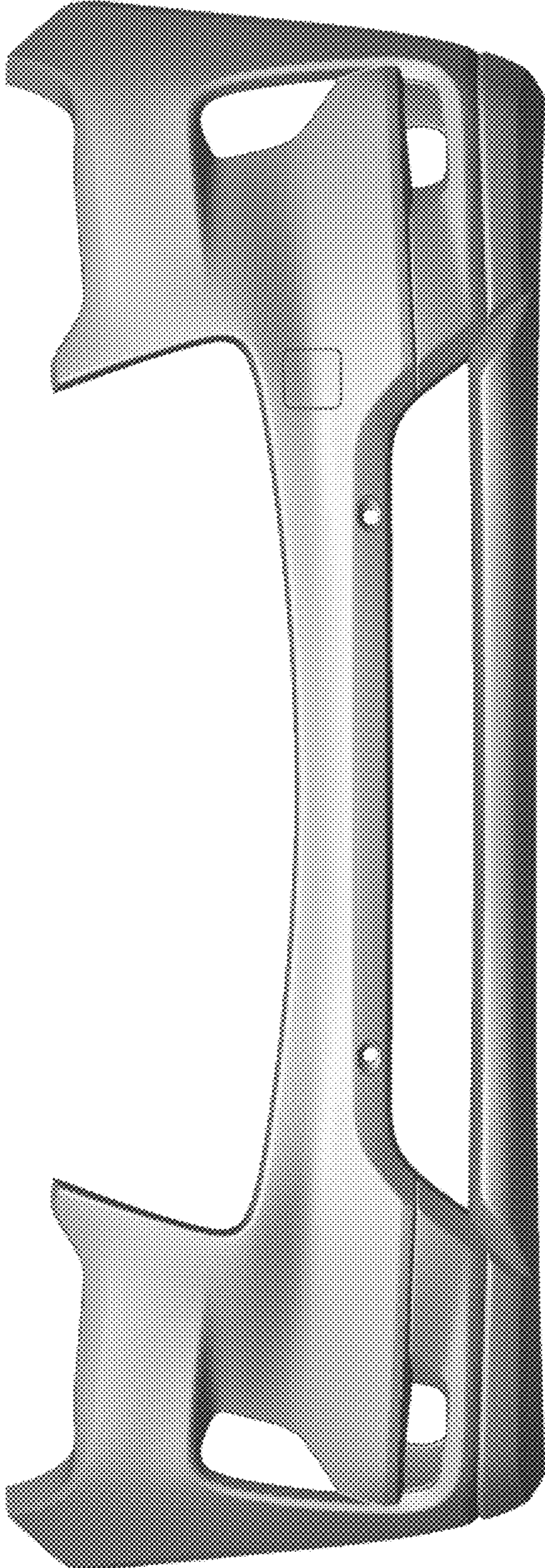


FIG. 1

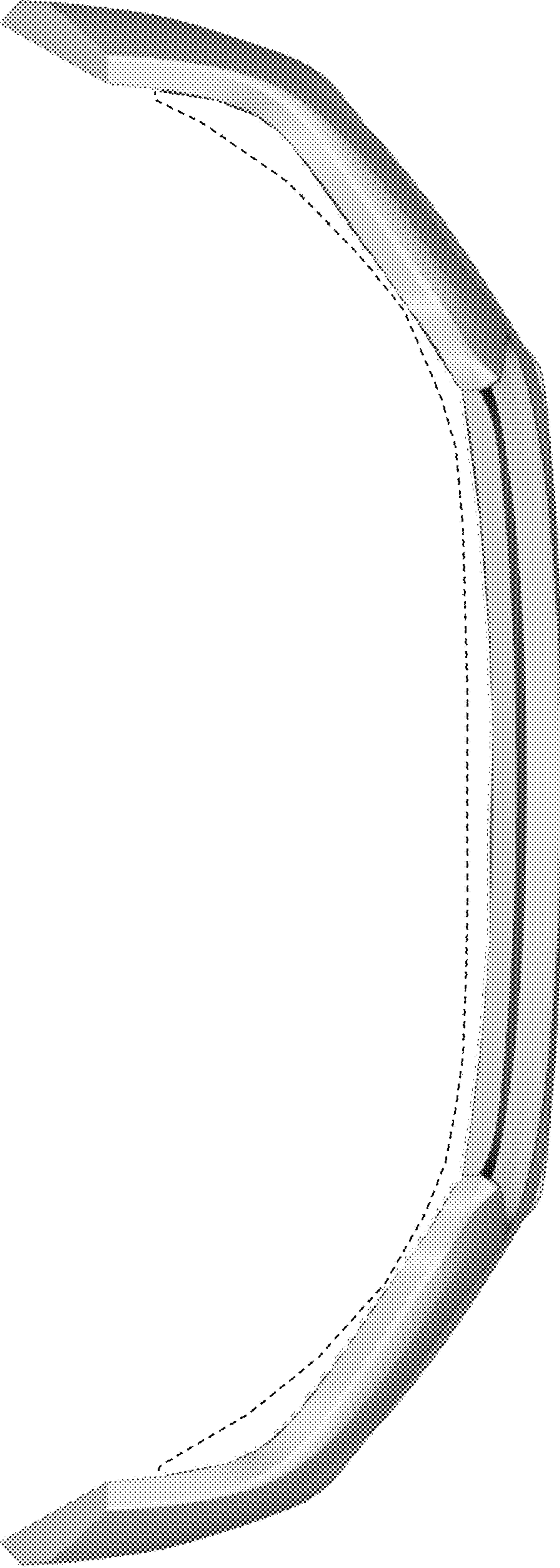


FIG. 2

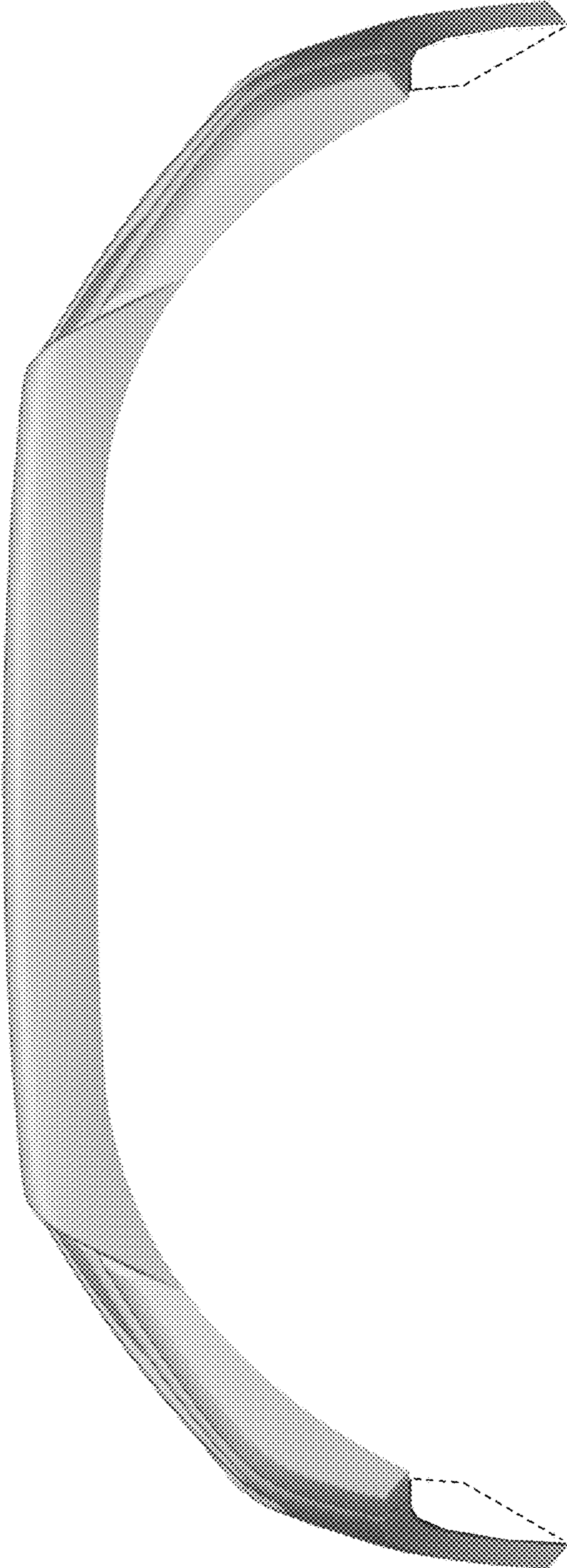


FIG. 3

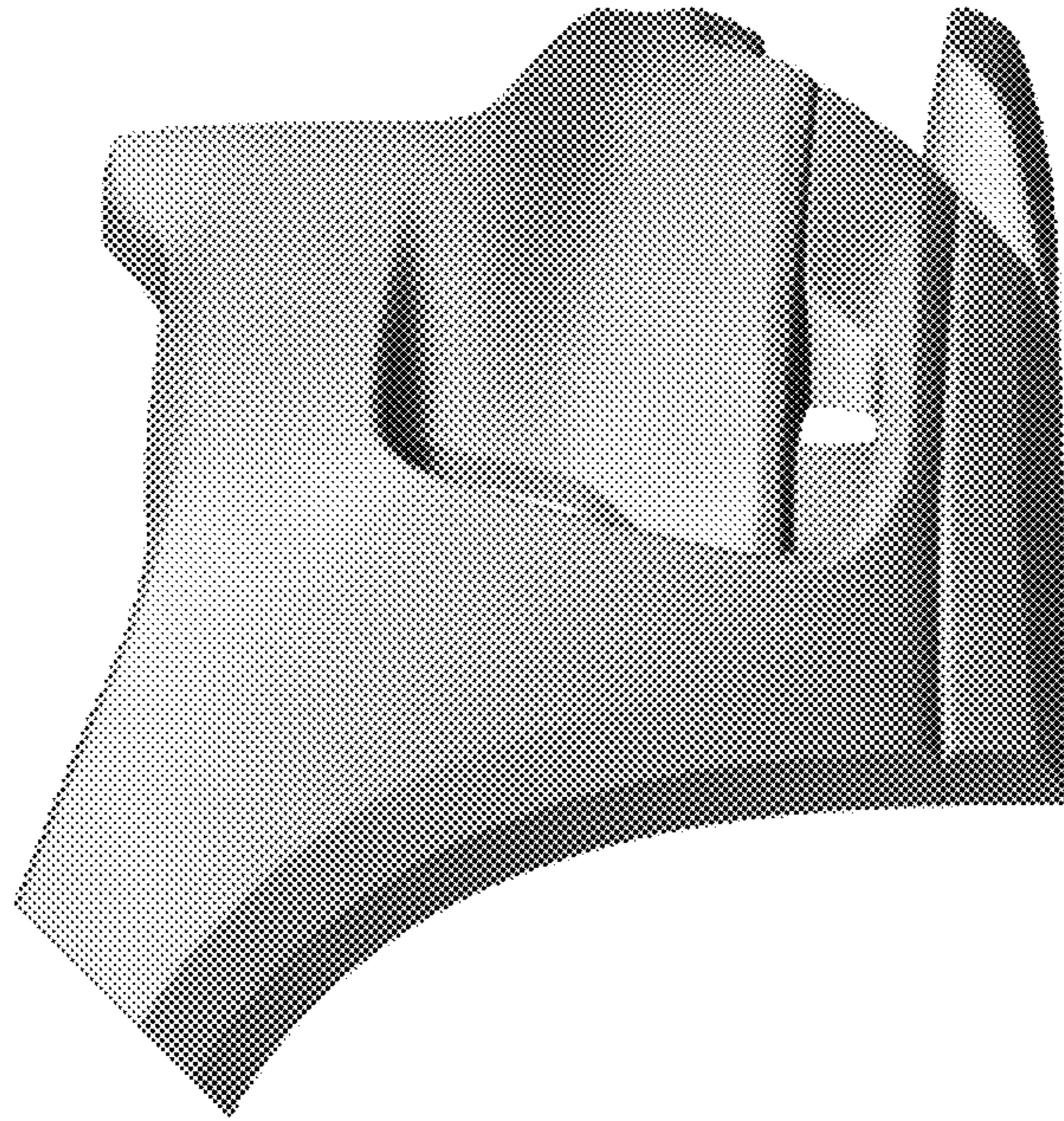


FIG. 4

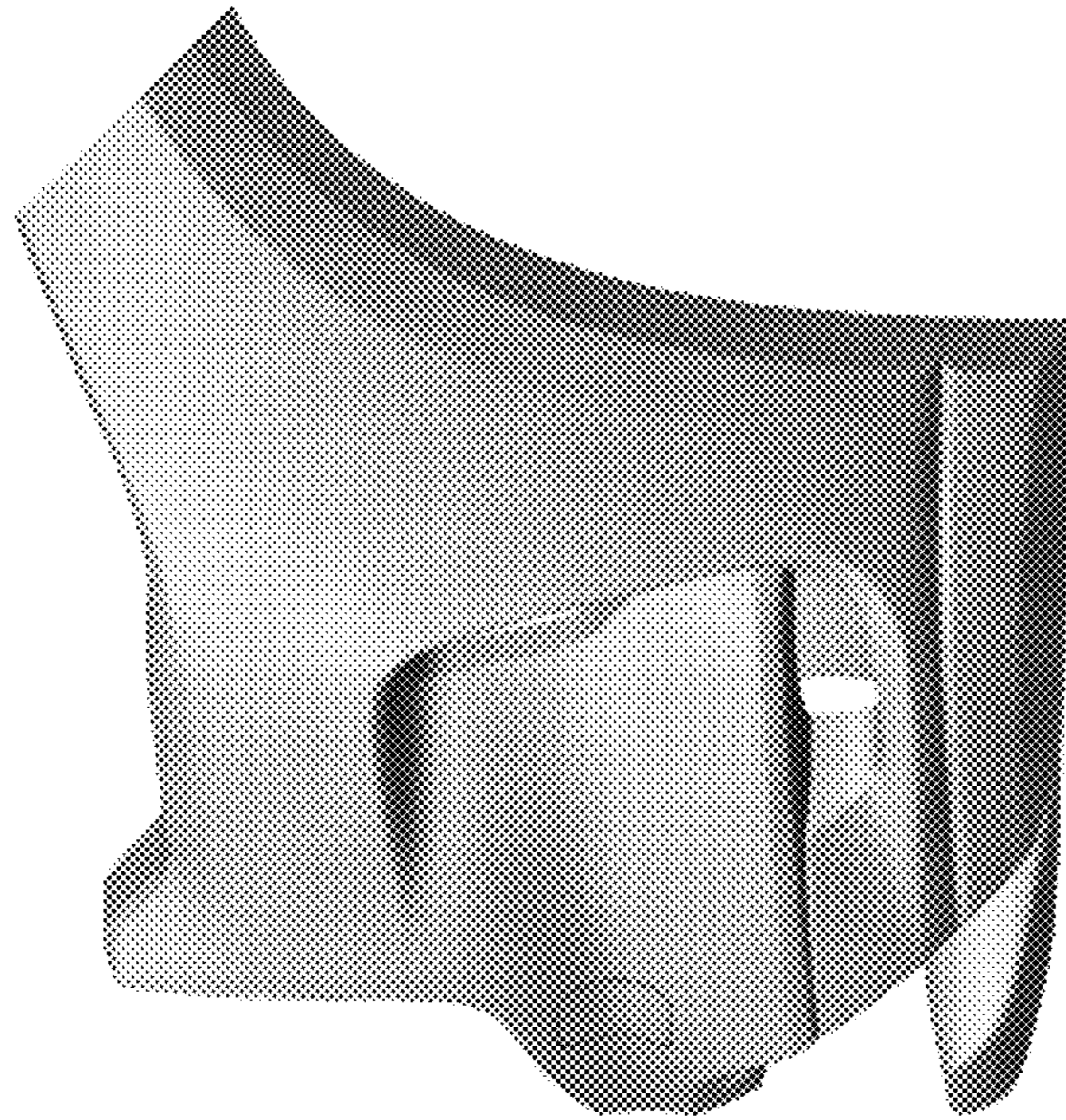


FIG. 5

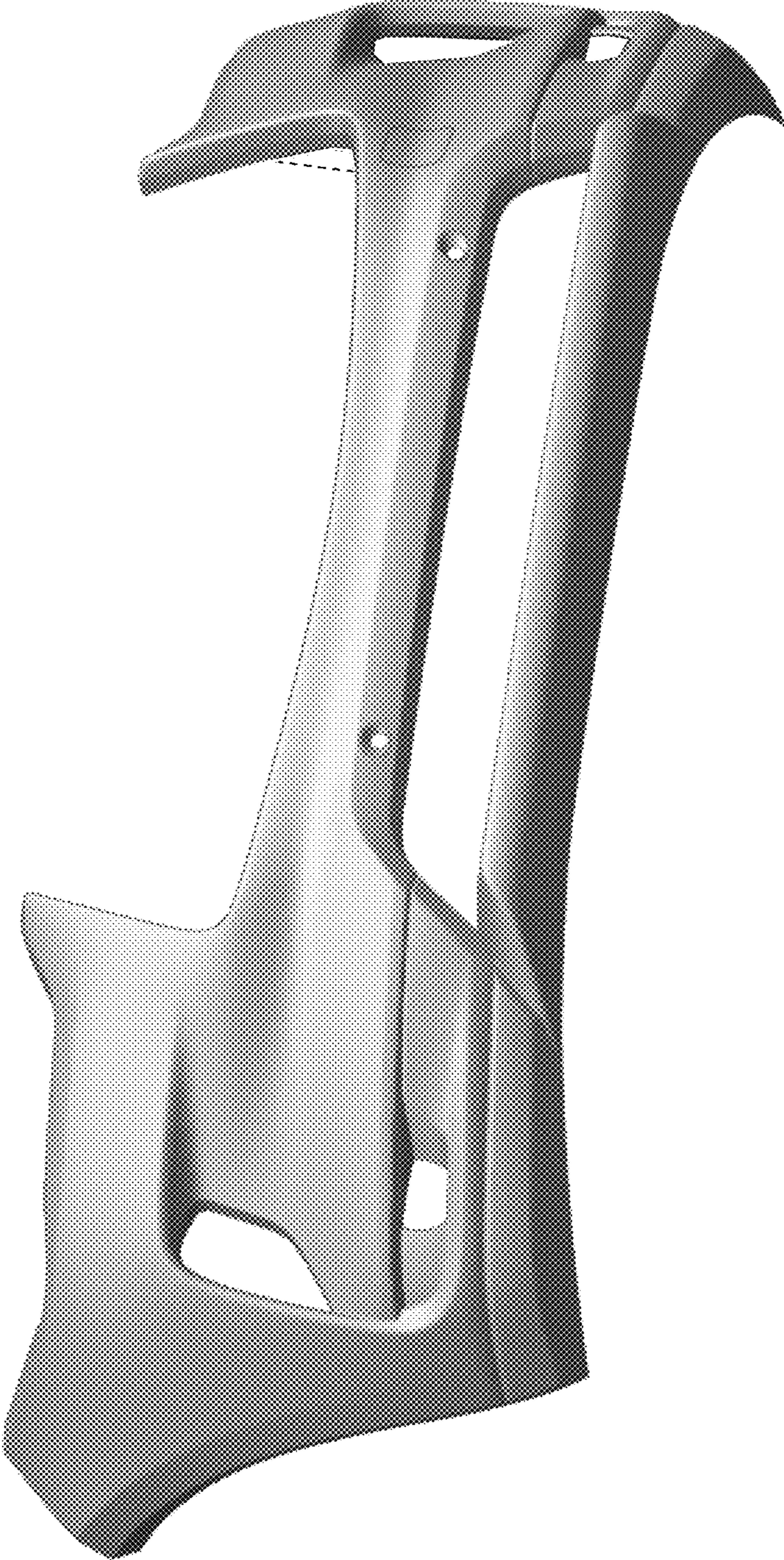


FIG. 6

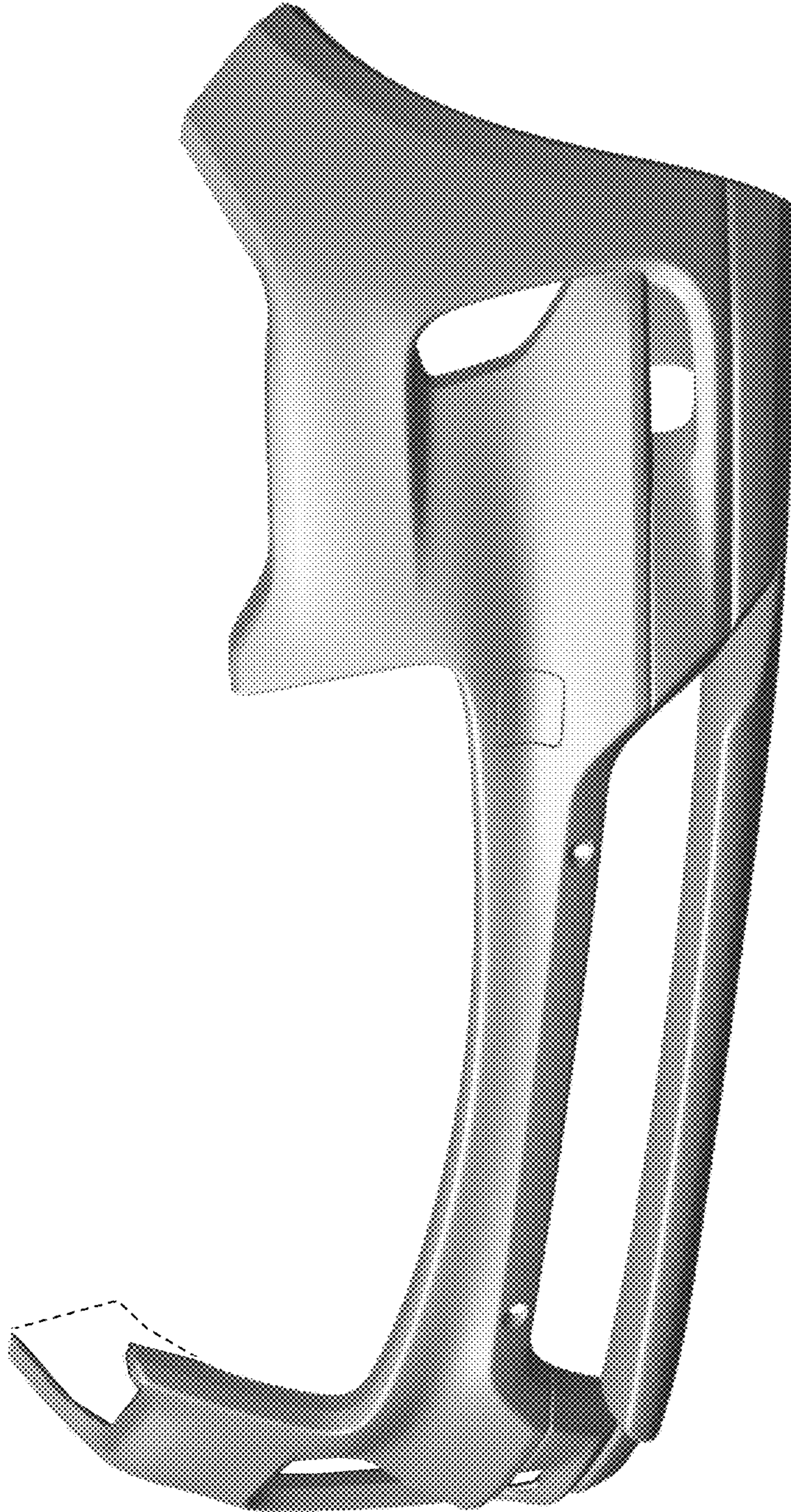


FIG. 7