

US00D830919S

(12) **United States Design Patent** (10) **Patent No.:** **US D830,919 S**
Zeng (45) **Date of Patent:** **** Oct. 16, 2018**

(54) **AUTOMOBILE REAR BUMPER**
(71) Applicant: **Sichuan Topfire Technology Co., Ltd,**
Chengdu, Sichuan (CN)
(72) Inventor: **Cheng Zeng,** Sichuan (CN)
(73) Assignee: **Sichuan Topfire Technology Co., Ltd,**
Chengdu, Sichuan (CN)
(**) Term: **15 Years**
(21) Appl. No.: **29/590,196**
(22) Filed: **Jan. 9, 2017**
(51) **LOC (11) Cl.** **12-16**
(52) **U.S. Cl.**
USPC **D12/167**
(58) **Field of Classification Search**
USPC D12/86-92, 163-172
CPC B60R 19/18; B60R 19/24; B60R 19/44;
B60R 19/48; B60R 19/56; B60R
2019/527; B60R 2019/1886; B62D
25/0845
See application file for complete search history.

D724,505 S * 3/2015 Schroeder D12/171
D726,605 S * 4/2015 Schroeder D12/171
D760,133 S * 6/2016 Bennett D12/171
D771,537 S * 11/2016 Hare D12/169
D775,016 S * 12/2016 Reynolds D12/171
D776,582 S * 1/2017 Bennett D12/169
D777,619 S * 1/2017 Barajas D12/167
D781,757 S * 3/2017 Baggett D12/16
D786,745 S * 5/2017 Zeng D12/167
D788,827 S * 6/2017 Okuyama D15/28
D789,258 S * 6/2017 McMath D12/167
D792,818 S * 7/2017 McMath D12/169
D793,304 S * 8/2017 McMath D12/169
D794,519 S * 8/2017 McMath D12/169
9,884,600 B2 * 2/2018 Fujimoto B60R 19/44
2013/0187395 A1 * 7/2013 Hanson B60R 19/52
293/115
2016/0325700 A1 * 11/2016 Wheeler B60R 19/48

* cited by examiner

Primary Examiner — Darlington Ly

(57) **CLAIM**

The ornamental design for an automobile rear bumper, as shown and described.

DESCRIPTION

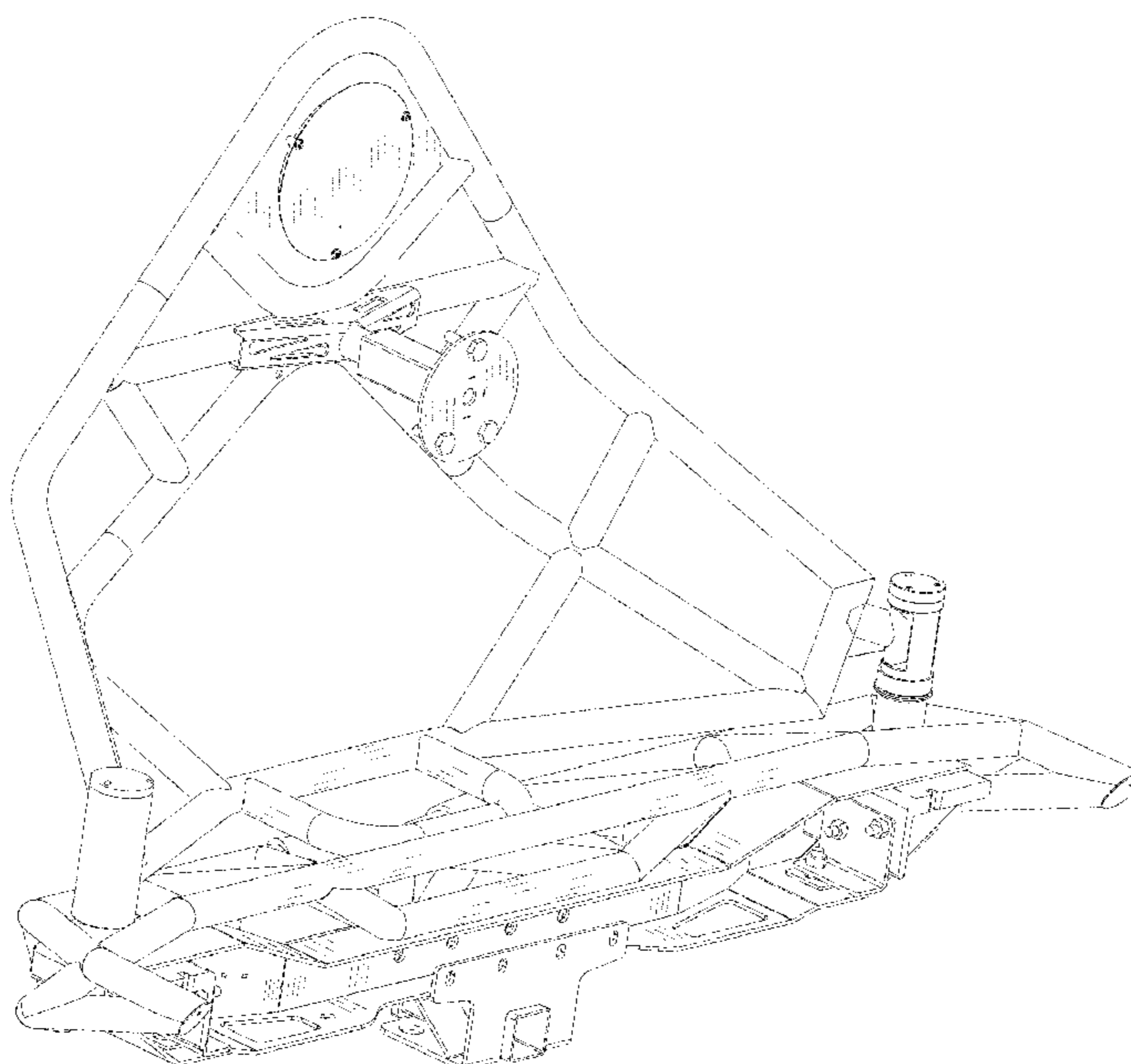
FIG. 1 is a top, front, and right perspective view of an automobile rear bumper, showing my new design; FIG. 2 is a front elevation view thereof; FIG. 3 is a left side elevation view thereof; FIG. 4 is a right side elevation view thereof; FIG. 5 is a top plan view thereof; and, FIG. 6 is a bottom plan view thereof. The broken lines in the drawings illustrate portions of the automobile rear bumper form no part of the claimed design.

1 Claim, 5 Drawing Sheets

(56) **References Cited**

U.S. PATENT DOCUMENTS

D300,128 S * 3/1989 Brennan D12/169
5,215,343 A * 6/1993 Fortune B60R 19/52
293/115
D455,684 S * 4/2002 McGuinness D12/171
7,306,270 B2 * 12/2007 Helms B60R 19/52
293/106
D572,180 S * 7/2008 Storer D12/171
D614,095 S * 4/2010 Fretz D12/171
7,703,834 B1 * 4/2010 Hardy B60R 9/06
296/102



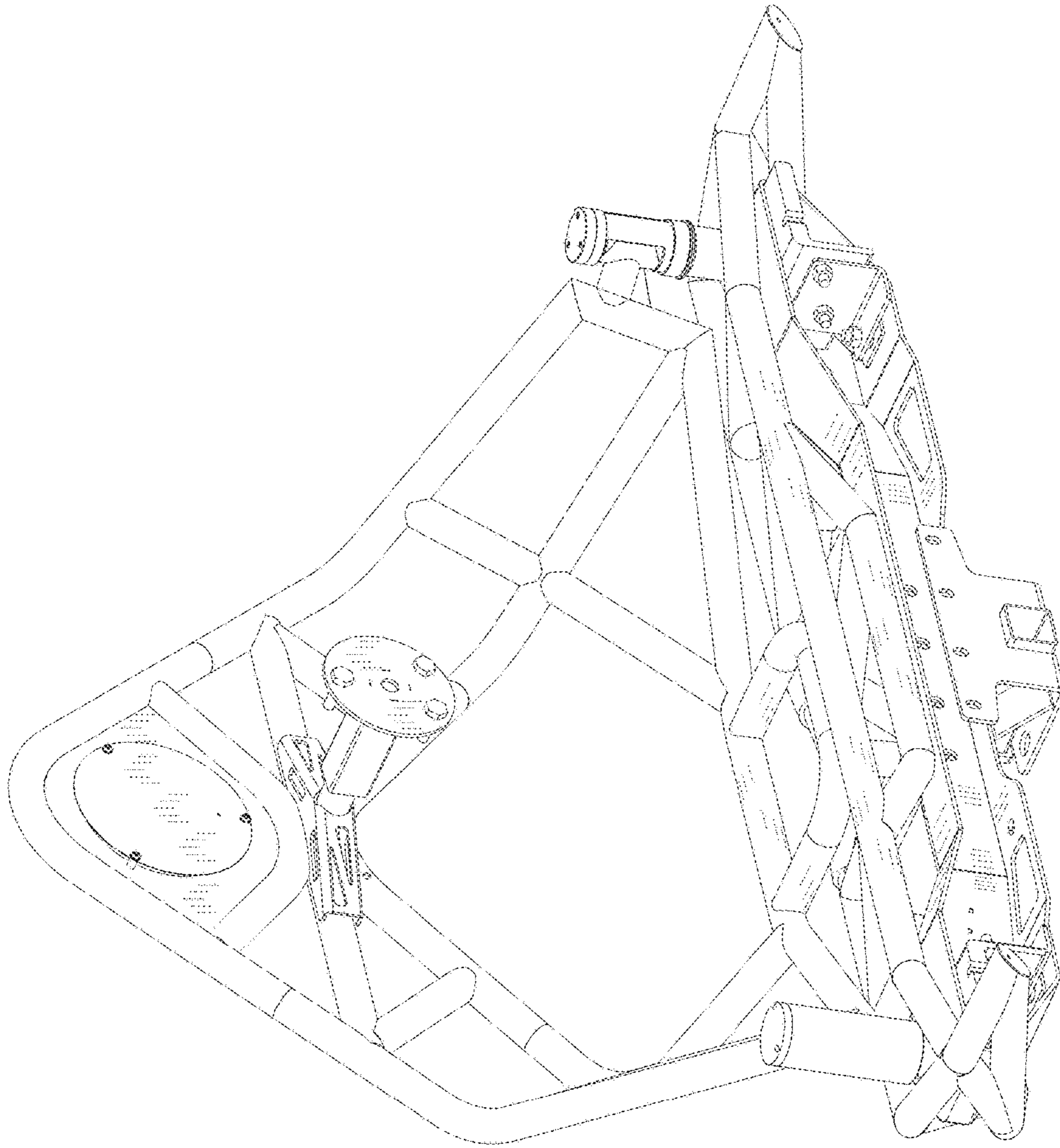


Fig. 1

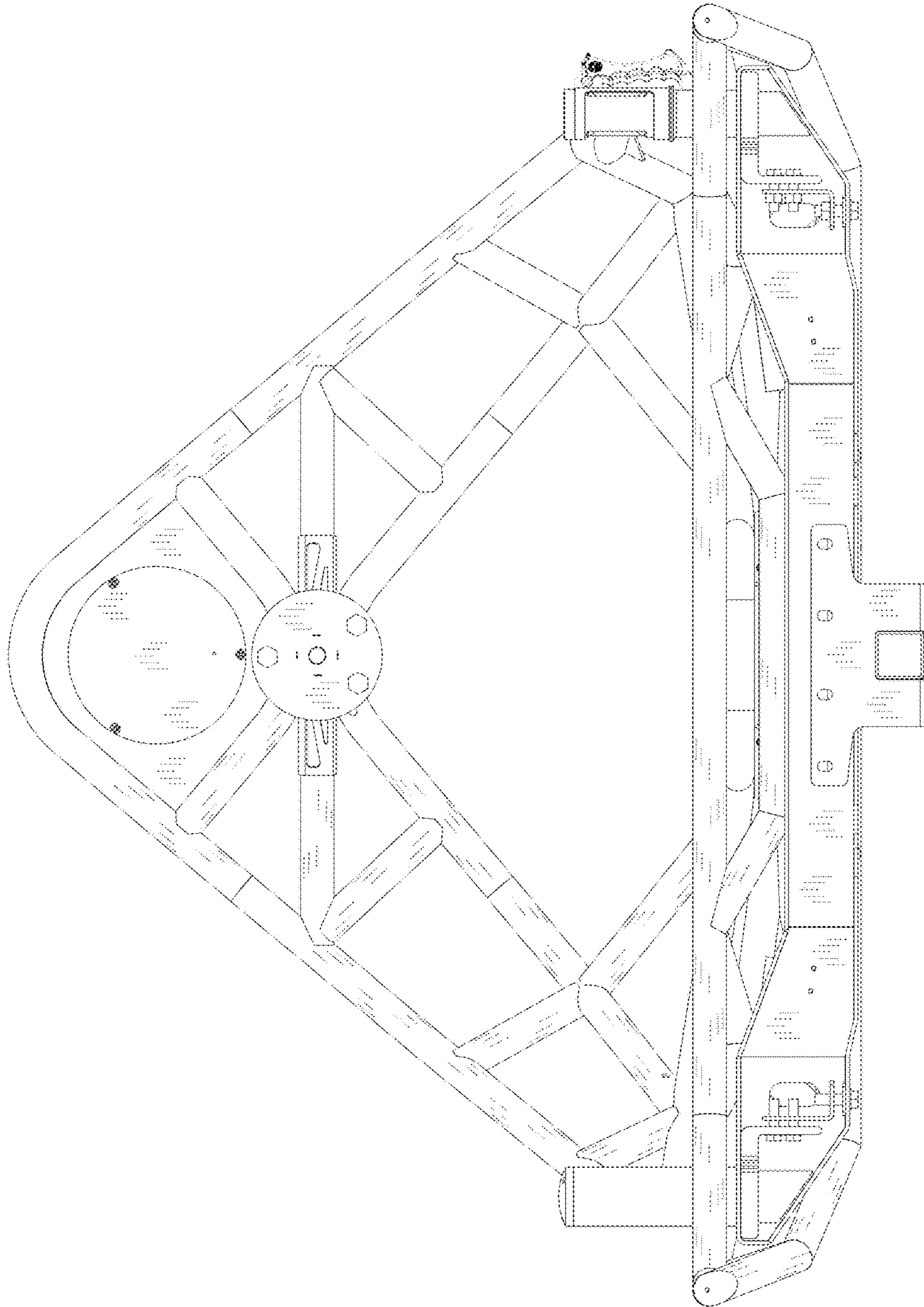


Fig. 2

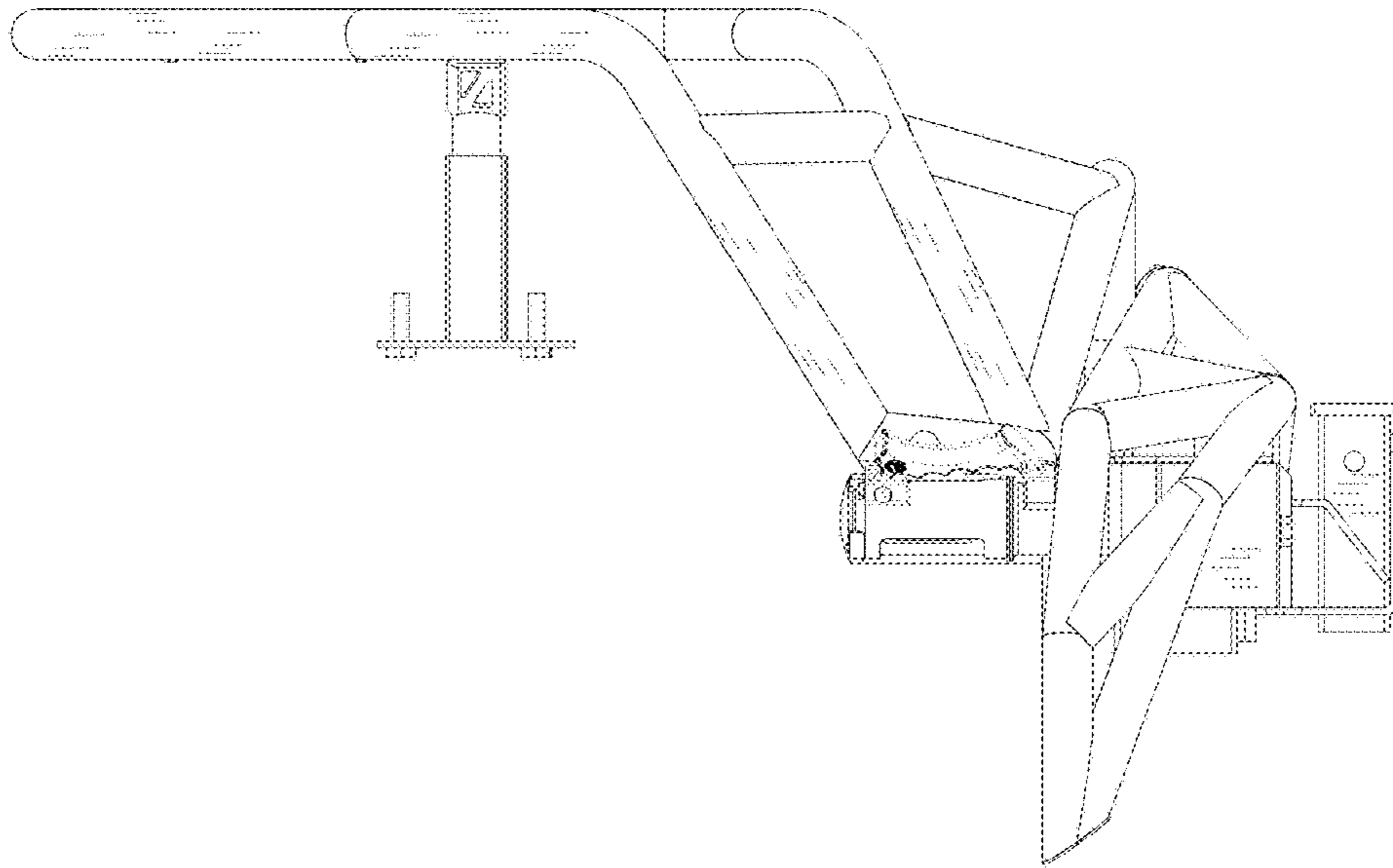


Fig. 4

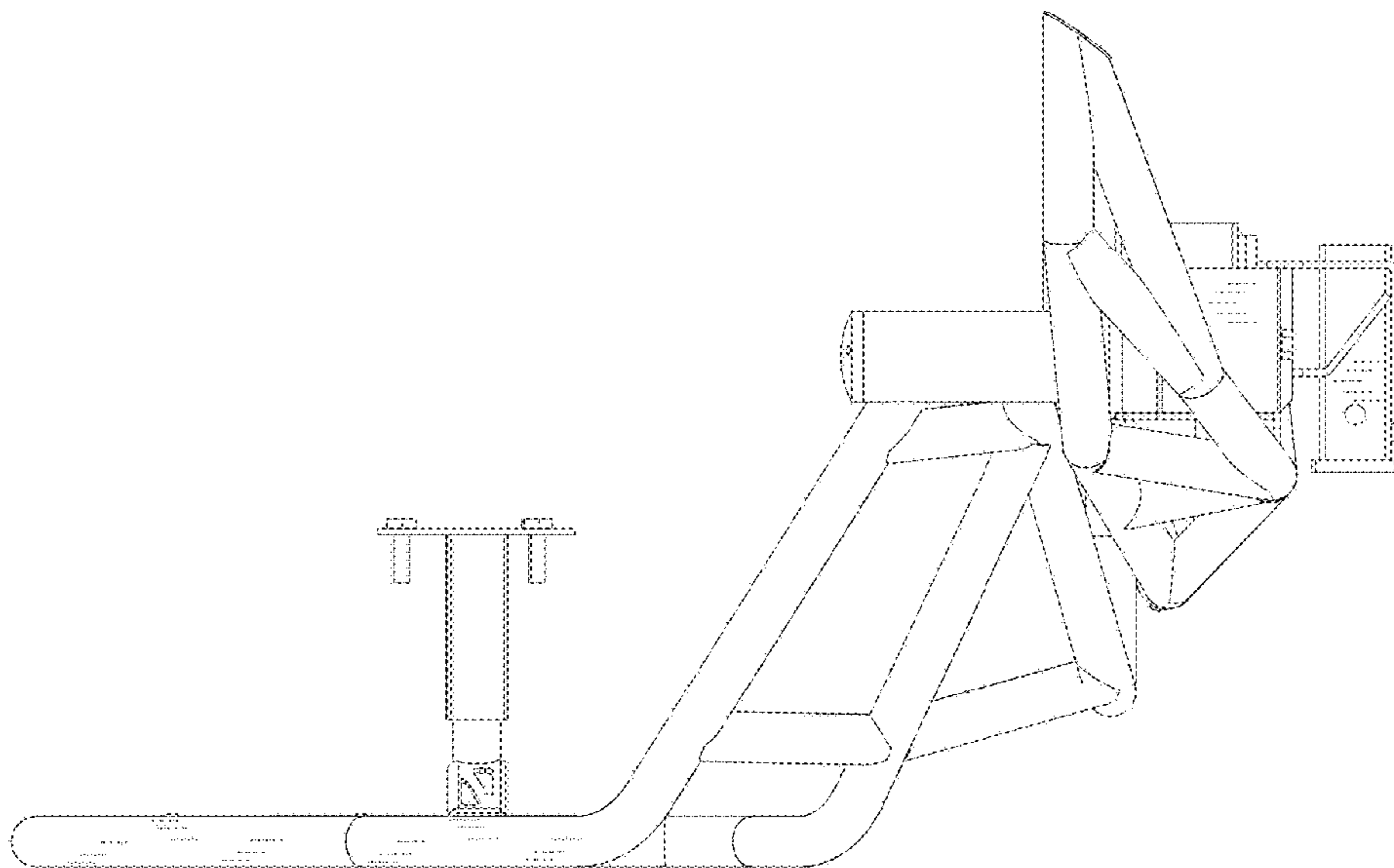


Fig. 3

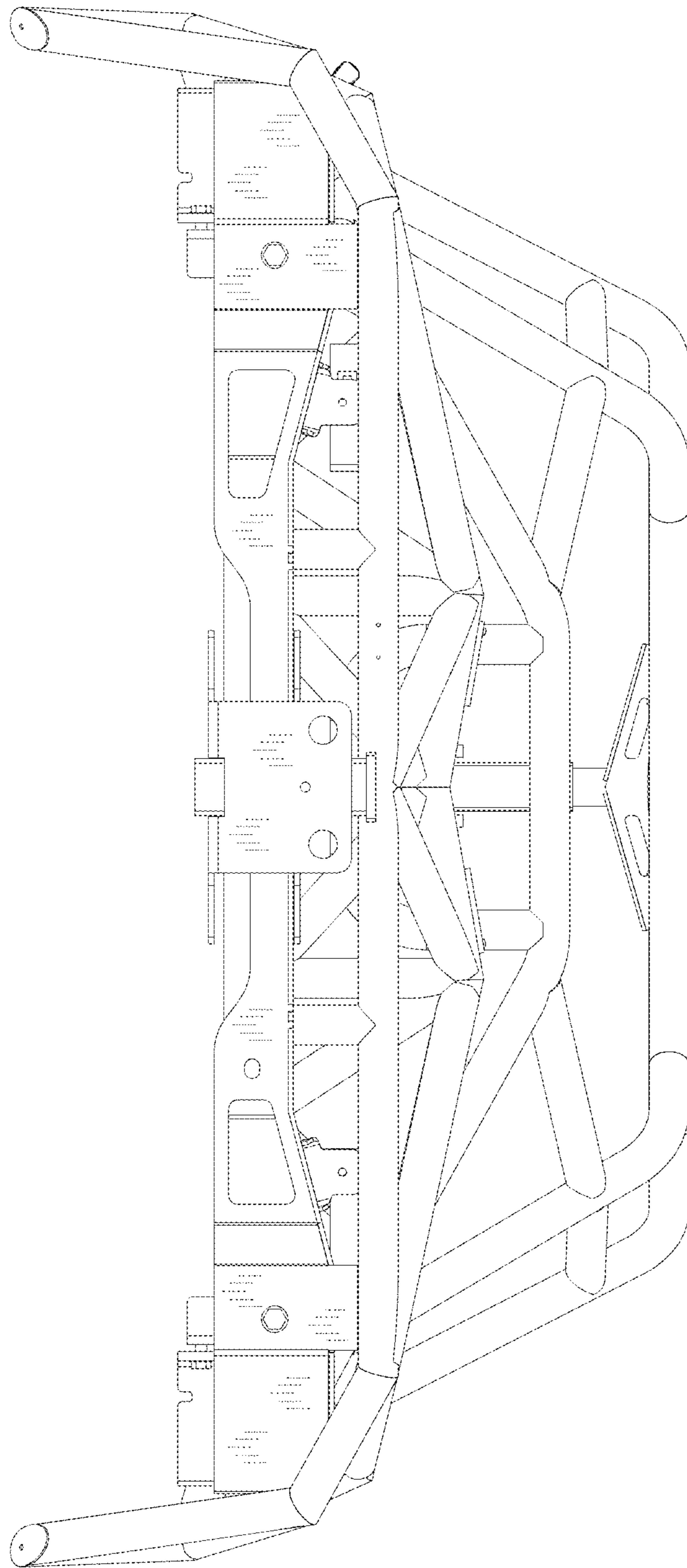


Fig. 5

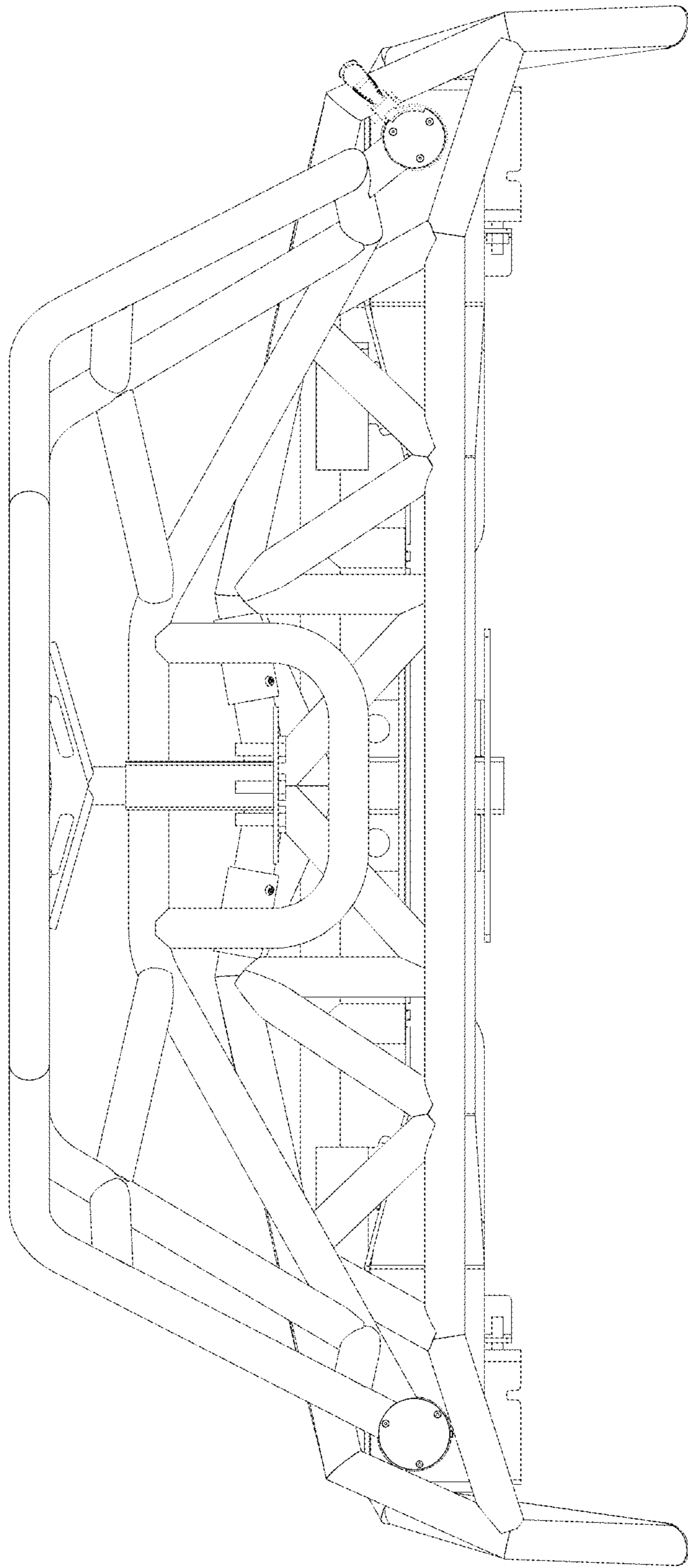


Fig. 6