



US00D830916S

(12) **United States Design Patent** (10) **Patent No.:** **US D830,916 S**
Brown, Jr. et al. (45) **Date of Patent:** **** Oct. 16, 2018**

- (54) **LEG RIGGING CLIP**
- (71) Applicant: **Medline Industries, Inc.**, Northfield, IL (US)
- (72) Inventors: **Corbett Brown, Jr.**, Round Lake Park, IL (US); **Zhiliang Wang**, Zhongshan (CN)
- (73) Assignee: **Medline Industries, Inc.**, Northfield, IL (US)
- (**) Term: **15 Years**
- (21) Appl. No.: **29/619,821**
- (22) Filed: **Oct. 2, 2017**

Related U.S. Application Data

- (63) Continuation of application No. 29/520,560, filed on Mar. 16, 2015, now Pat. No. Des. 801,881, which is a continuation of application No. 29/440,194, filed on Dec. 19, 2012, now Pat. No. Des. 727,216.
- (51) **LOC (11) Cl.** **12-12**
- (52) **U.S. Cl.**
USPC **D12/133**
- (58) **Field of Classification Search**
USPC D12/133
CPC A61G 5/00-5/14
See application file for complete search history.

(56) **References Cited**

U.S. PATENT DOCUMENTS

D235,731 S	7/1975	Hubuda
5,074,574 A	12/1991	Carwin
5,074,575 A	12/1991	Bigo
5,580,184 A	12/1996	Riccitelli
D388,750 S	1/1998	Williams
5,743,671 A	4/1998	Williams
D393,998 S	5/1998	Anderson
D407,301 S	3/1999	Donalies

D413,842 S	9/1999	Garven
D423,993 S	5/2000	Slagerman
D423,994 S	5/2000	Helwig
D452,665 S	1/2002	Yeh
6,520,598 B1	2/2003	Cheng
D506,419 S	6/2005	Coster
D553,971 S	10/2007	Krueger
D573,861 S	7/2008	Hammer
D577,634 S	9/2008	Lundh
D583,640 S	12/2008	Gilham
D631,403 S	1/2011	Knopf

(Continued)

Primary Examiner — Charles D Hanson

(74) *Attorney, Agent, or Firm* — Fitch, Even, Tabin & Flannery LLP

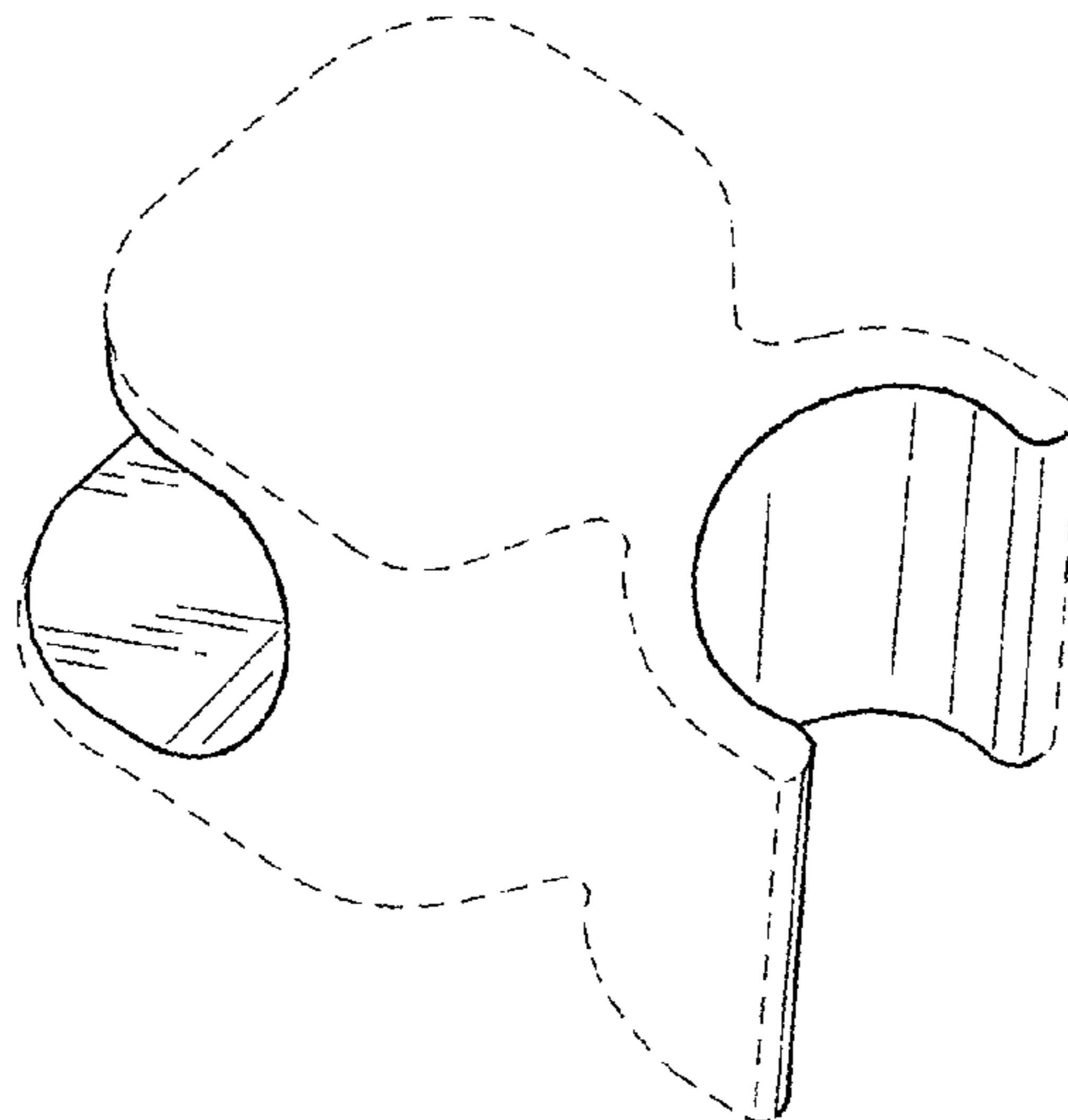
(57) **CLAIM**

We claim the ornamental design for a leg rigging clip, as shown and described.

DESCRIPTION

FIG. 1 is a perspective view of a leg rigging clip in accordance with a first embodiment of our new design; FIG. 2 is a front elevational view thereof, the rear elevational view being a mirror image thereof; FIG. 3 is a bottom plan view thereof; FIG. 4 is a top plan view thereof; FIG. 5 is a right side elevational view thereof; FIG. 6 is a left side elevational view thereof; FIG. 7 is a perspective view of a leg rigging clip in accordance with a second embodiment of our new design; FIG. 8 is a front elevational view thereof, the rear elevational view being a mirror image thereof; FIG. 9 is a bottom plan view thereof; FIG. 10 is a top plan view thereof; FIG. 11 is a left side elevational view thereof; and, FIG. 12 is a right side elevational view thereof. The broken lines depict unclaimed environmental subject matter and form no part of the claim.

1 Claim, 2 Drawing Sheets



(56)

References Cited

U.S. PATENT DOCUMENTS

D643,281	S	8/2011	Roberts	
D656,811	S	4/2012	Giordano	
D690,190	S	9/2013	McGrath	
D701,795	S	4/2014	Brown, Jr.	
D720,605	S *	1/2015	McGrath	D8/355
D720,664	S	1/2015	Wang	
D727,216	S	4/2015	Brown, Jr.	
D727,217	S	4/2015	Brown, Jr.	
D730,708	S	6/2015	Spector	
D741,697	S *	10/2015	McGrath	D8/382
D741,698	S *	10/2015	McGrath	D8/382
D743,244	S	11/2015	Anderson	
D763,060	S	8/2016	Rommel	
D765,564	S	9/2016	Stierli	
D784,121	S *	4/2017	Hutchison	D8/382
D789,257	S *	6/2017	Bucher	D12/133
D789,540	S *	6/2017	Gyorgy	D24/155
D791,650	S *	7/2017	Brown, Jr.	D12/133
D795,754	S *	8/2017	Zellers, Sr.	D12/133
D797,549	S *	9/2017	Dew	D8/394
D801,881	S	11/2017	Brown, Jr.	
D807,896	S *	1/2018	Cai	D14/452
D808,256	S *	1/2018	Muller	D8/396
2005/0205722	A1 *	9/2005	Krueger	F16L 3/11 248/62
2011/0308192	A1 *	12/2011	Kodi	E04C 5/163 52/688

* cited by examiner

FIG. 1

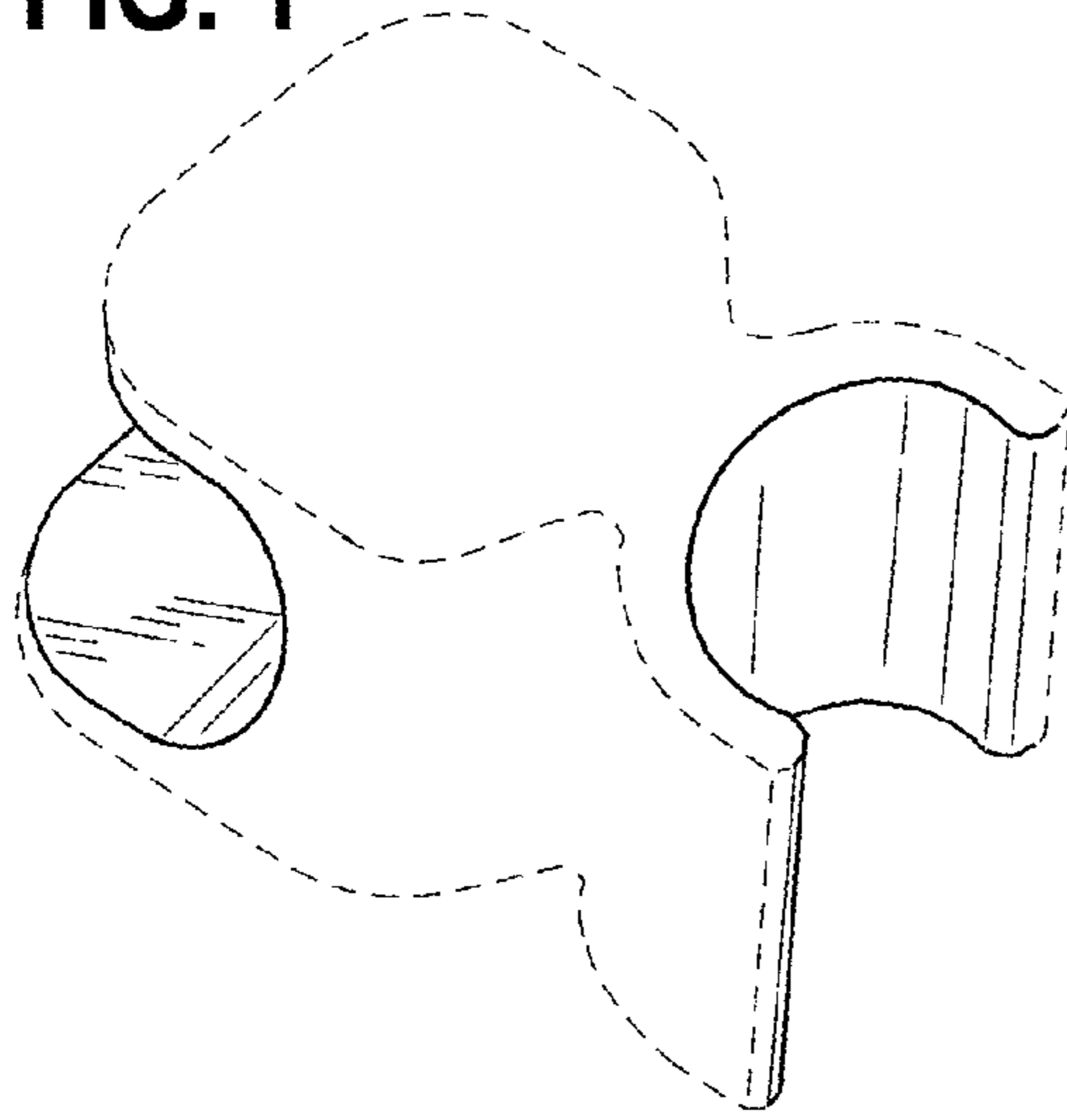


FIG. 2

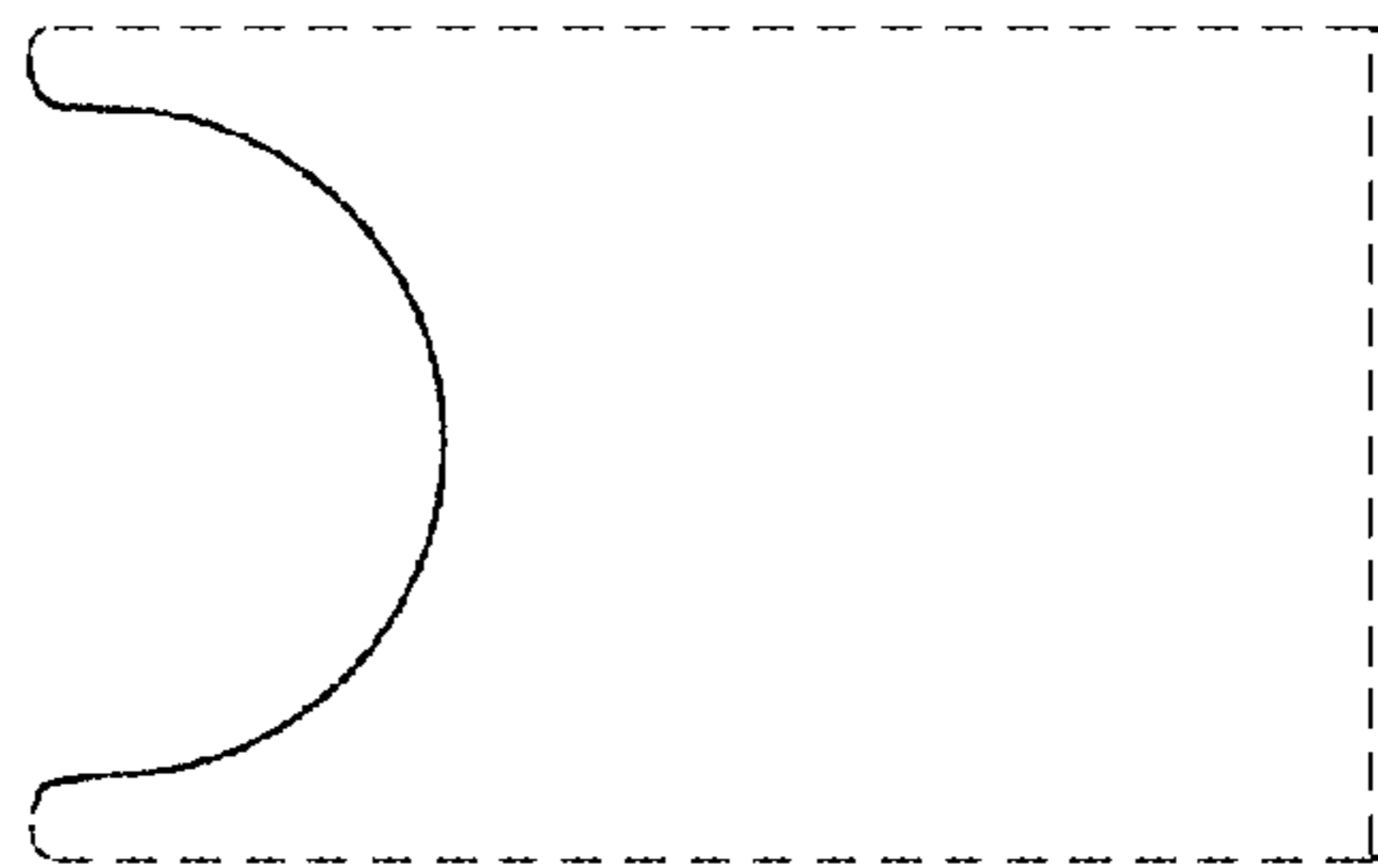


FIG. 3

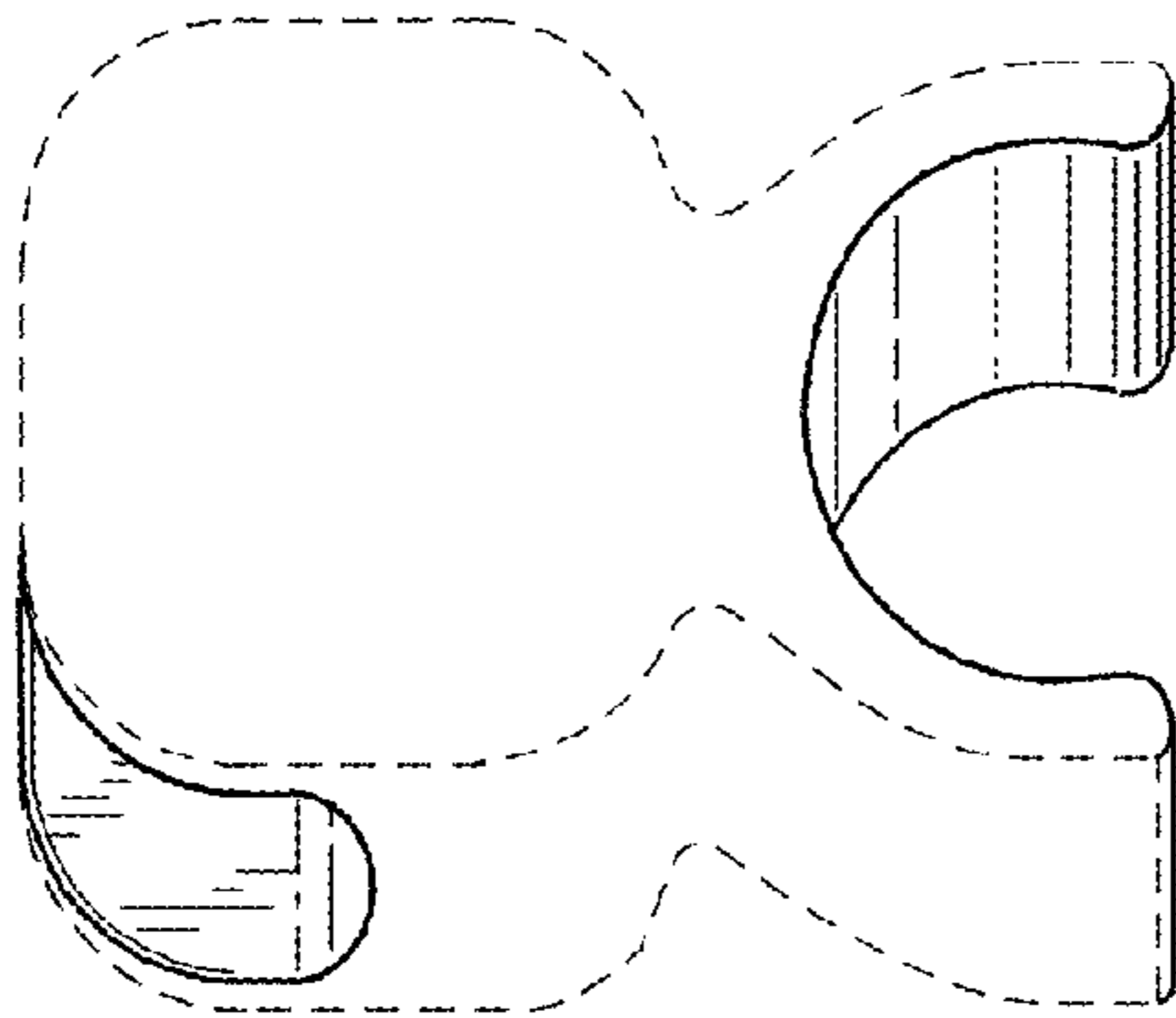


FIG. 4

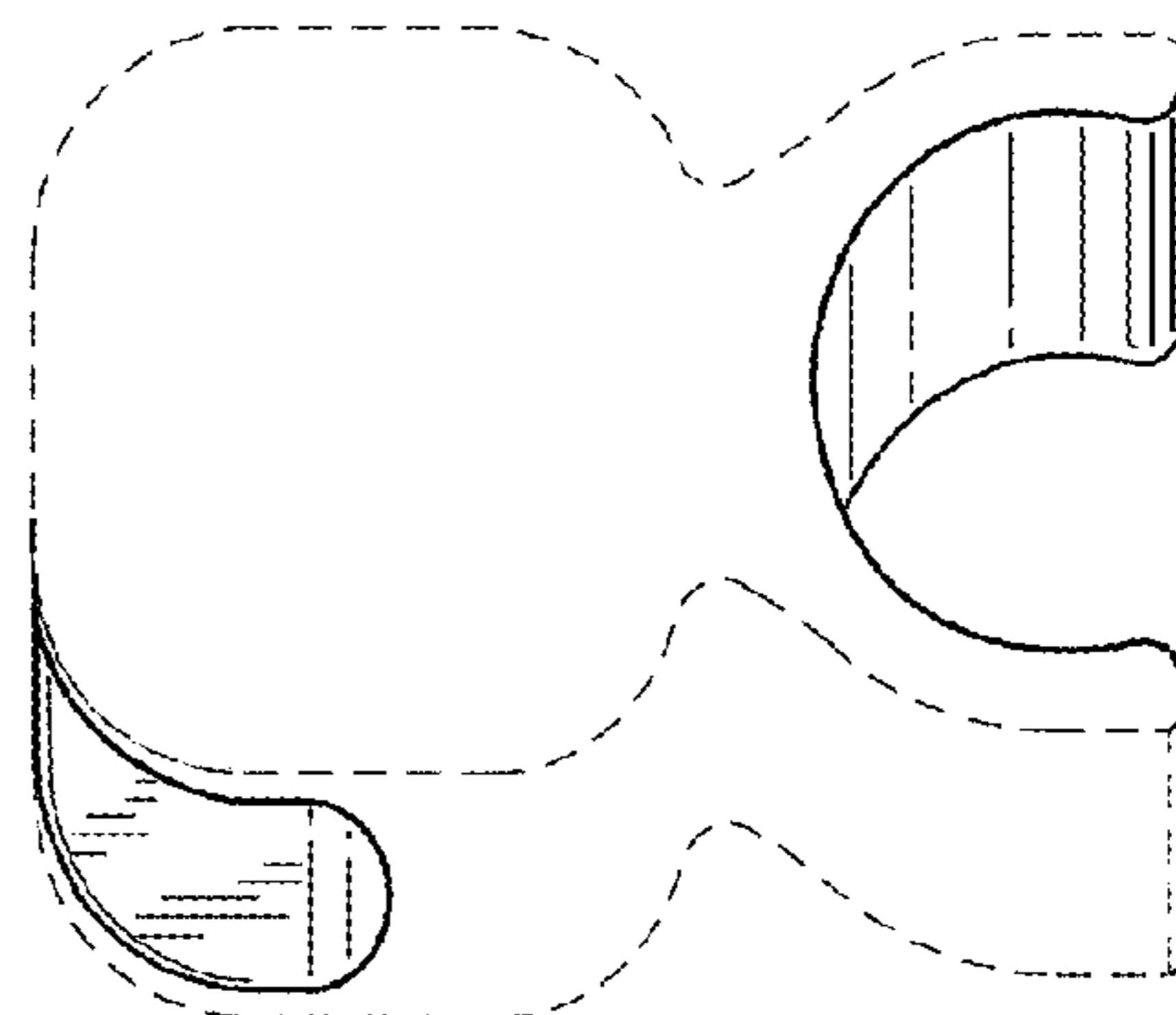


FIG. 5

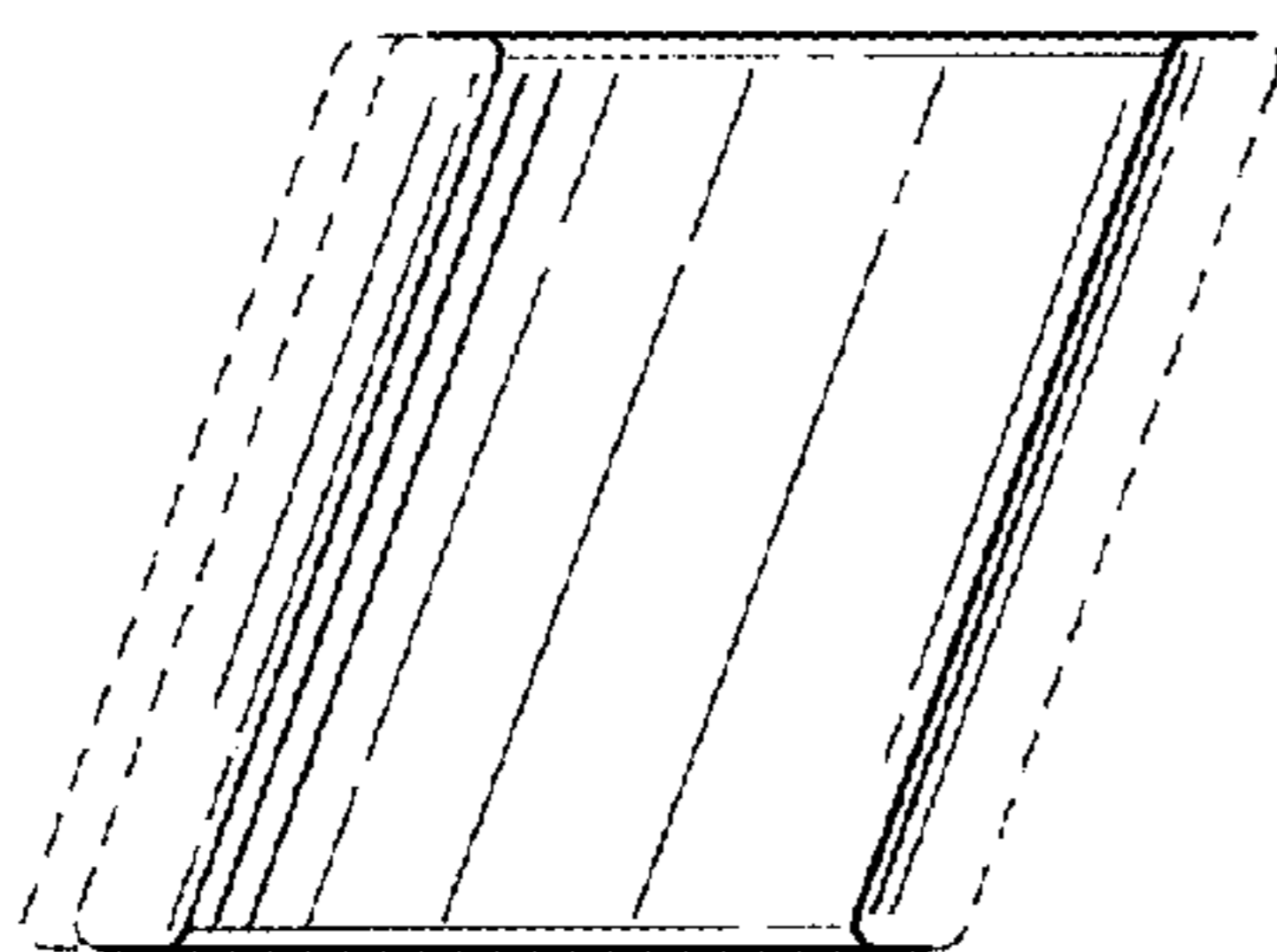


FIG. 6

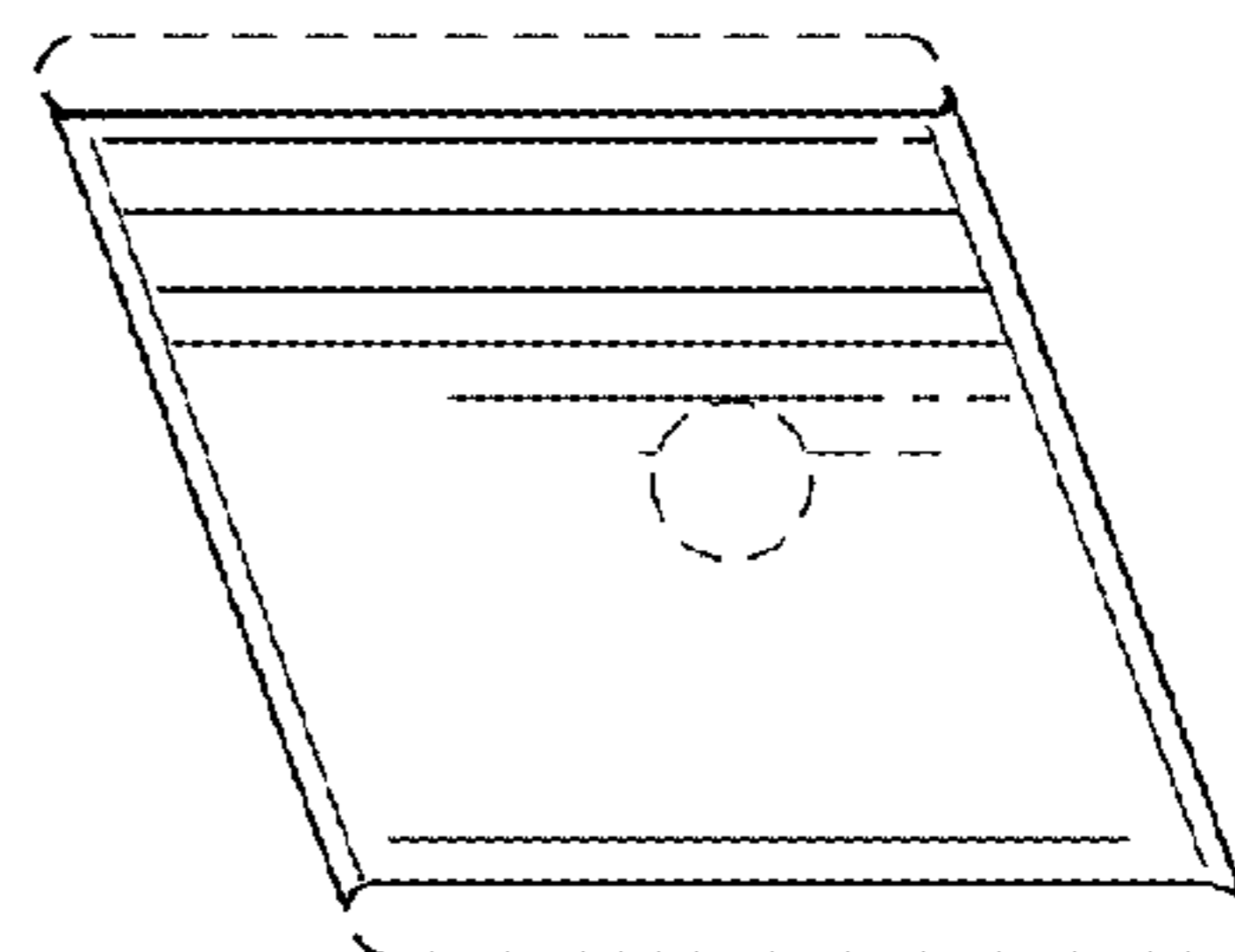


FIG. 7

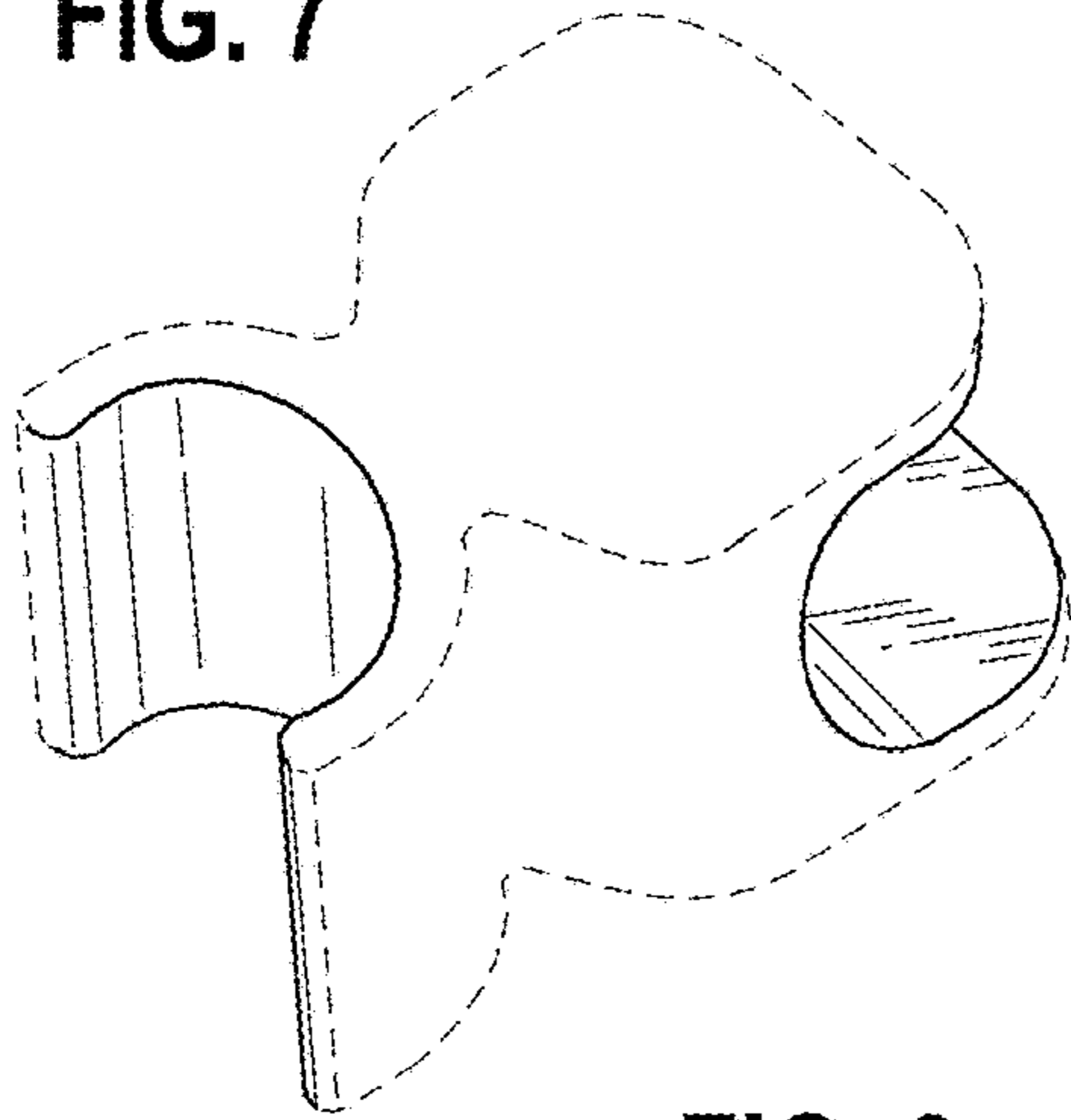


FIG. 8

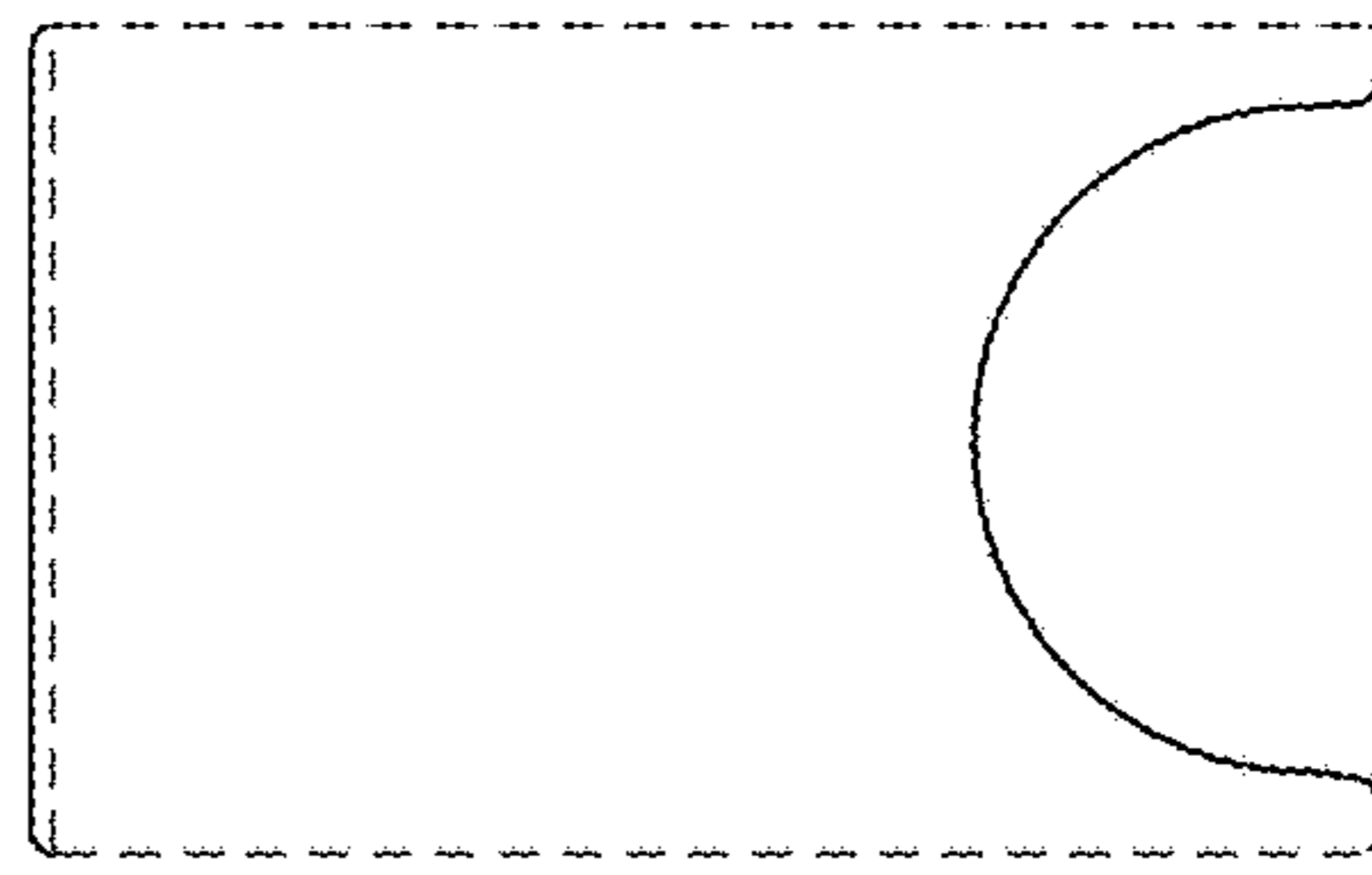


FIG. 9

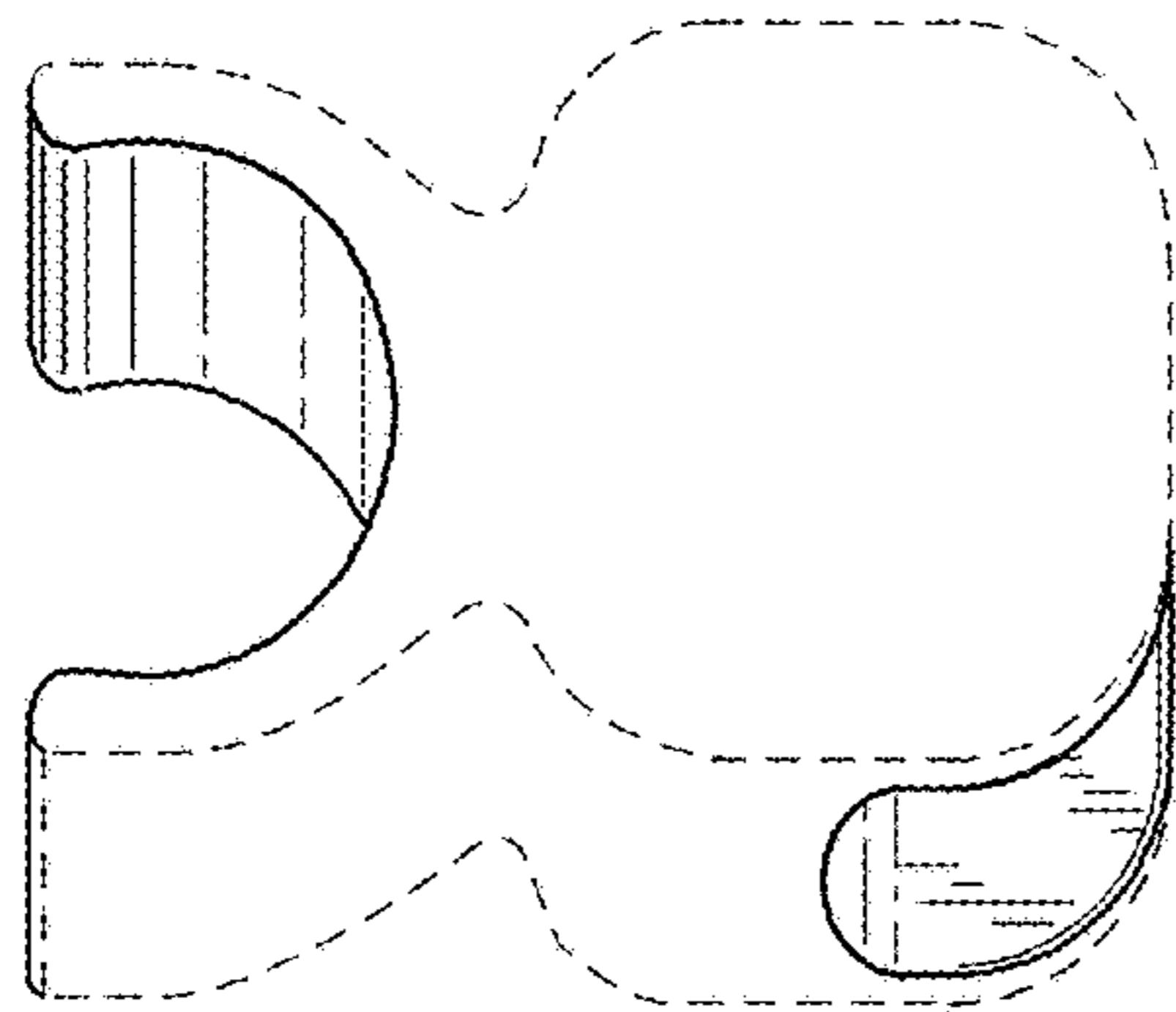


FIG. 10

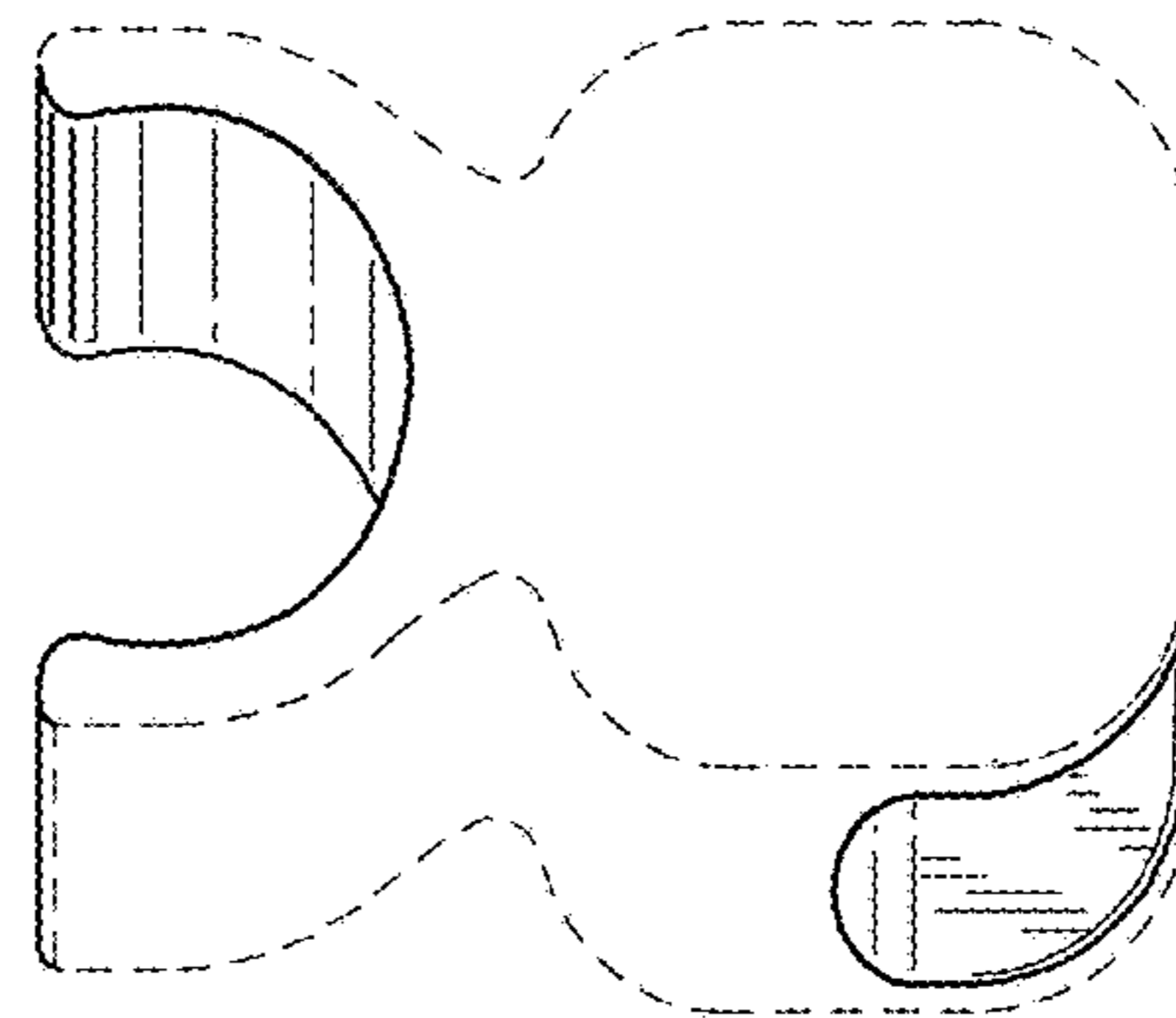


FIG. 11

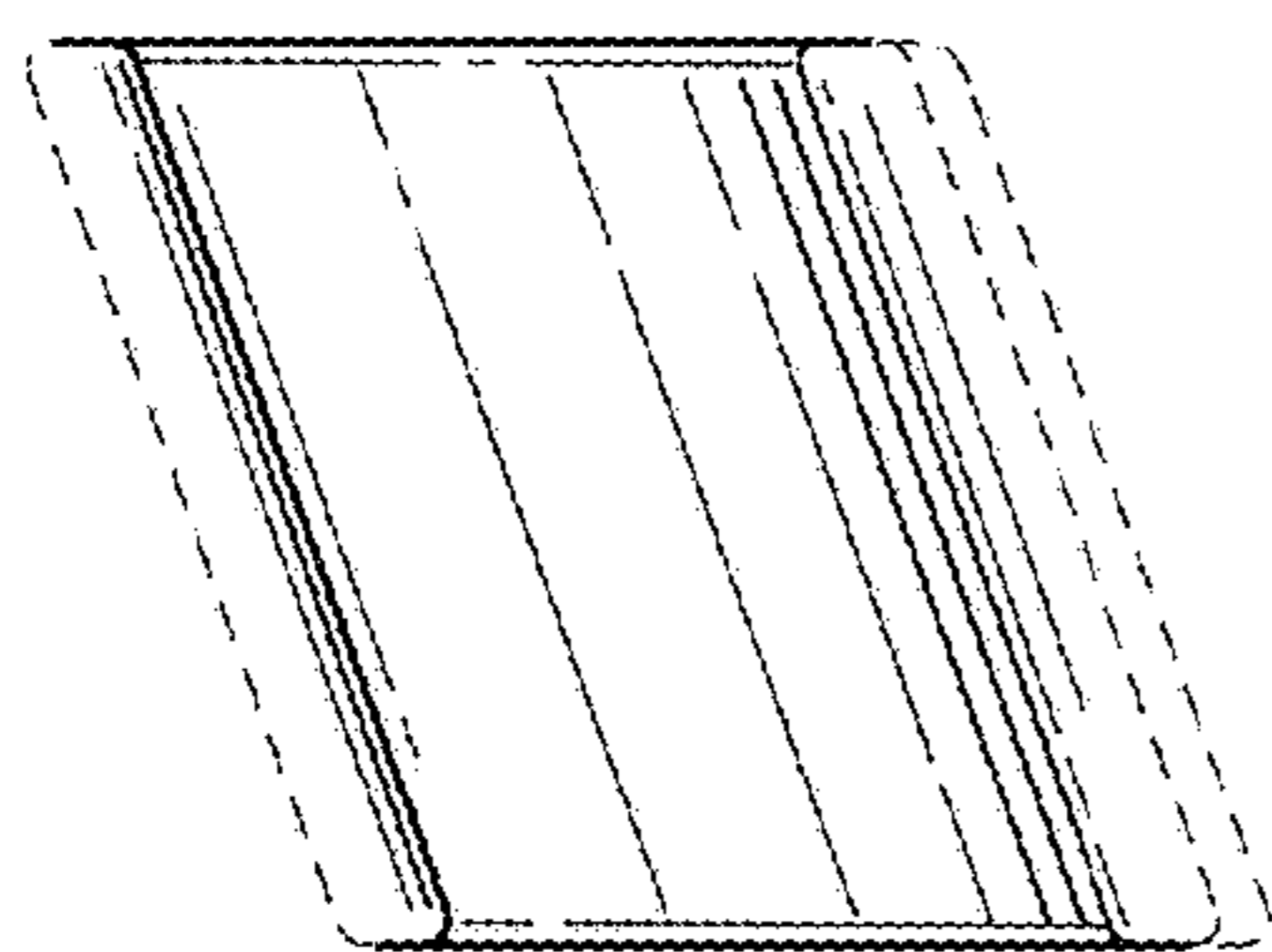


FIG. 12

