



US00D830915S

(12) **United States Design Patent** (10) **Patent No.:** **US D830,915 S**  
**Brown, Jr. et al.** (45) **Date of Patent:** **\*\* Oct. 16, 2018**

- (54) **LEG RIGGING CLIP**
- (71) Applicant: **Medline Industries, Inc.**, Northfield, IL (US)
- (72) Inventors: **Corbett Brown, Jr.**, Round Lake Park, IL (US); **Zhiliang Wang**, Zhongshan (CN)
- (73) Assignee: **Medline Industries, Inc.**, Northfield, IL (US)
- (\*\*) Term: **15 Years**
- (21) Appl. No.: **29/619,819**
- (22) Filed: **Oct. 2, 2017**

**Related U.S. Application Data**

- (60) Division of application No. 29/520,560, filed on Mar. 16, 2015, now Pat. No. Des. 801,881, which is a continuation of application No. 29/440,194, filed on Dec. 19, 2012, now Pat. No. Des. 727,216.
- (51) **LOC (11) Cl.** ..... **12-12**
- (52) **U.S. Cl.**  
USPC ..... **D12/133**
- (58) **Field of Classification Search**  
USPC ..... D12/133  
CPC ..... A61G 5/00-5/14  
See application file for complete search history.

(56) **References Cited**

**U.S. PATENT DOCUMENTS**

|             |         |            |
|-------------|---------|------------|
| D235,731 S  | 7/1975  | Hubuda     |
| 5,074,574 A | 12/1991 | Carwin     |
| 5,074,575 A | 12/1991 | Bigo       |
| 5,520,598 A | 5/1996  | Little     |
| 5,580,184 A | 12/1996 | Riccitelli |
| D388,750 S  | 1/1998  | Williams   |
| 5,743,671 A | 4/1998  | Williams   |
| D393,998 S  | 5/1998  | Anderson   |

|            |         |           |
|------------|---------|-----------|
| D407,301 S | 3/1999  | Donalies  |
| D413,842 S | 9/1999  | Garven    |
| D423,993 S | 5/2000  | Slagerman |
| D423,994 S | 5/2000  | Helwig    |
| D452,665 S | 1/2002  | Yeh       |
| D506,419 S | 6/2005  | Coster    |
| D553,971 S | 10/2007 | Krueger   |
| D573,861 S | 7/2008  | Hammer    |
| D577,634 S | 9/2008  | Lundh     |
| D583,640 S | 12/2008 | Gilham    |
| D631,403 S | 1/2011  | Knopf     |

(Continued)

*Primary Examiner* — Charles D Hanson

(74) *Attorney, Agent, or Firm* — Fitch, Even, Tabin & Flannery LLP

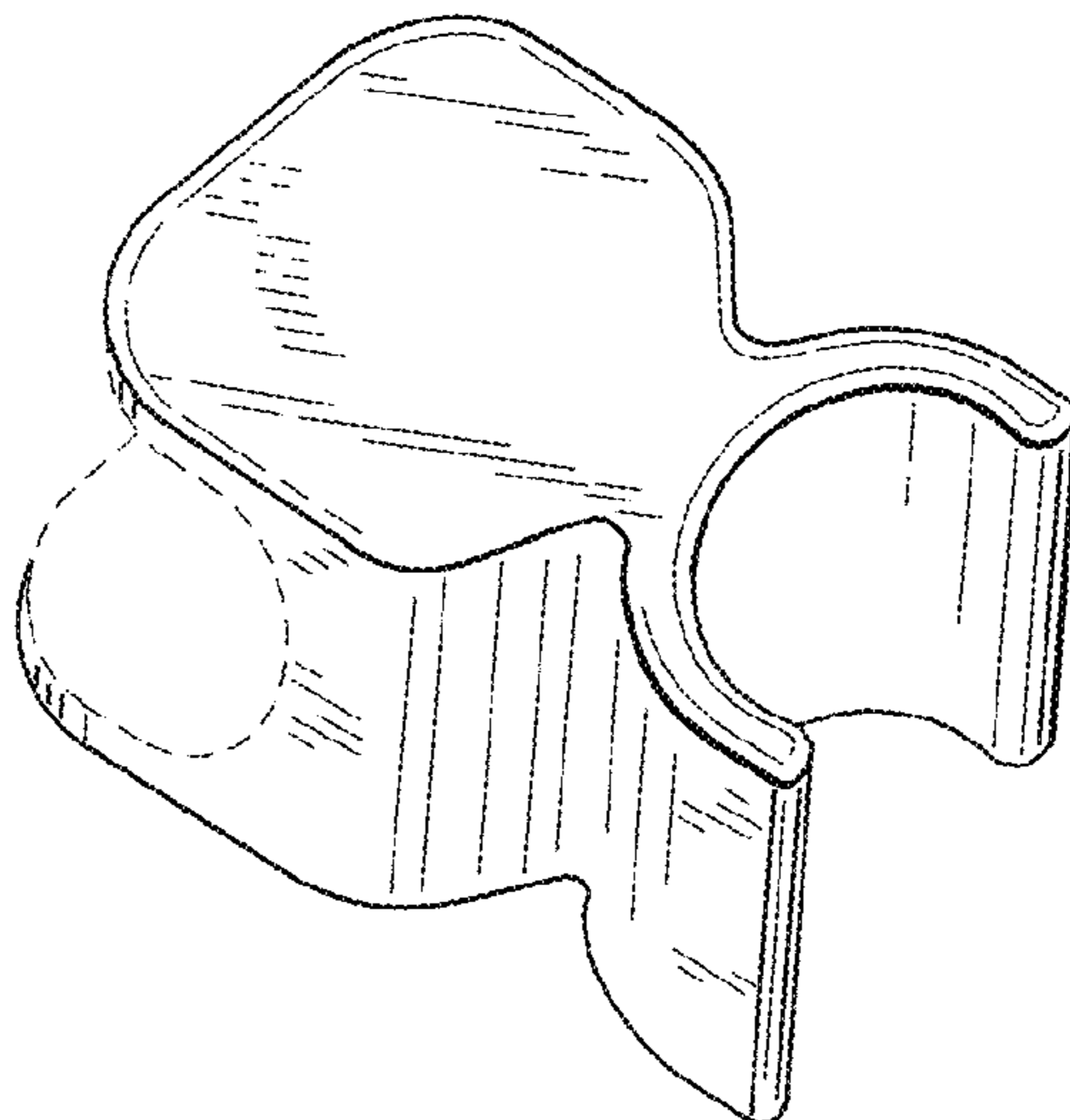
(57) **CLAIM**

We claim the ornamental design for a leg rigging clip, as shown and described.

**DESCRIPTION**

FIG. 1 is a perspective view of a leg rigging clip in accordance with a first embodiment of our new design; FIG. 2 is a front elevational view thereof, the rear elevational view being a mirror image thereof; FIG. 3 is a bottom plan view thereof; FIG. 4 is a top plan view thereof; FIG. 5 is a right side elevational view thereof; FIG. 6 is a left side elevational view thereof; FIG. 7 is a perspective view of a leg rigging clip in accordance with a second embodiment of our new design; FIG. 8 is a front elevational view thereof, the rear elevational view being a mirror image thereof; FIG. 9 is a bottom plan view thereof; FIG. 10 is a top plan view thereof; FIG. 11 is a left side elevational view thereof; and, FIG. 12 is a right side elevational view thereof. The broken lines depict unclaimed environmental subject matter and form no part of the claim.

**1 Claim, 2 Drawing Sheets**



(56)

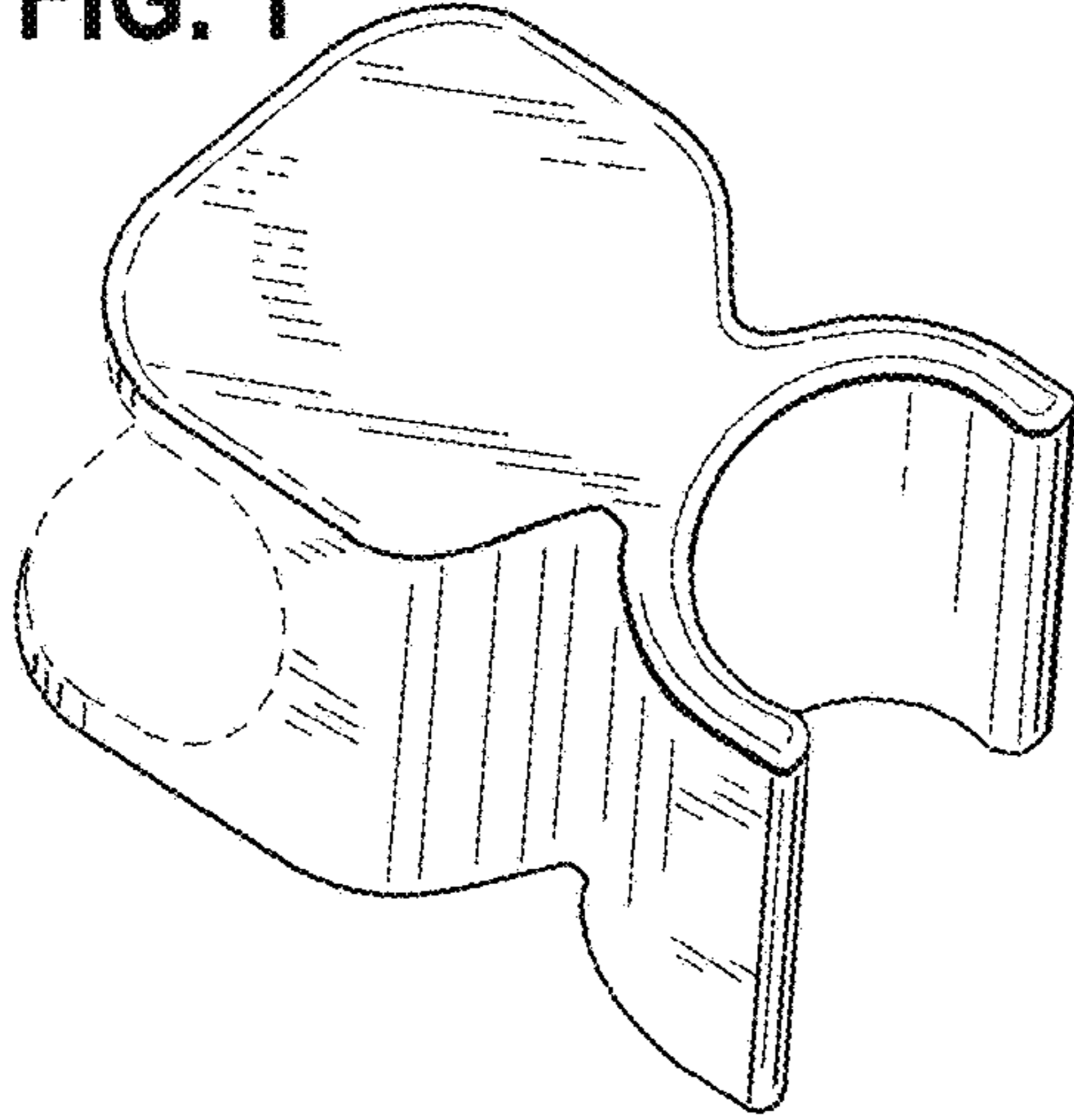
**References Cited**

U.S. PATENT DOCUMENTS

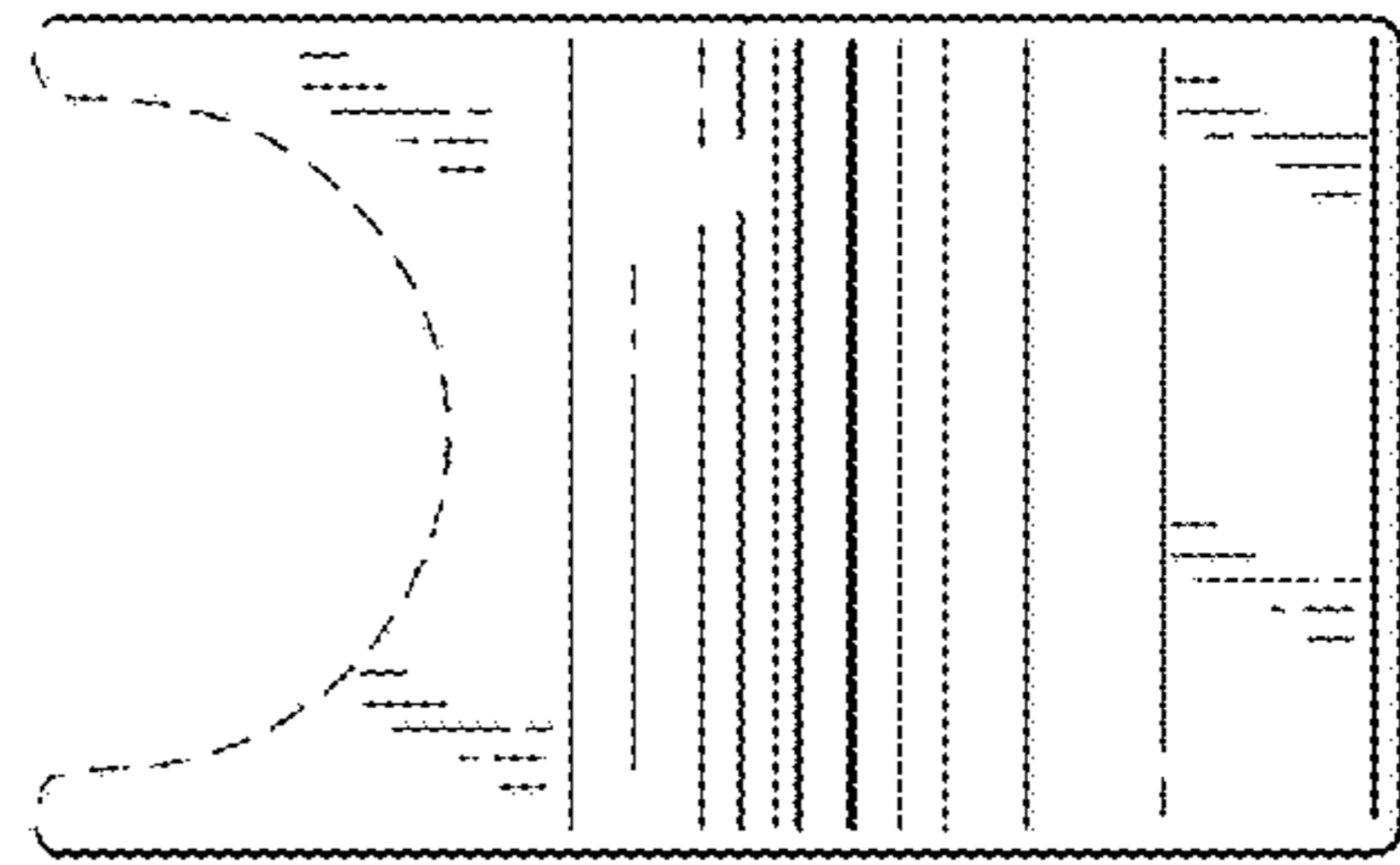
|              |      |         |                   |                      |
|--------------|------|---------|-------------------|----------------------|
| D643,281     | S    | 8/2011  | Roberts           |                      |
| D656,811     | S    | 4/2012  | Giordano          |                      |
| D690,190     | S    | 9/2013  | McGrath           |                      |
| D701,795     | S    | 4/2014  | Brown, Jr.        |                      |
| D720,605     | S *  | 1/2015  | McGrath .....     | D8/355               |
| D720,664     | S    | 1/2015  | Wang              |                      |
| D727,216     | S    | 4/2015  | Brown, Jr.        |                      |
| D727,217     | S    | 4/2015  | Brown, Jr.        |                      |
| D730,708     | S    | 6/2015  | Spector           |                      |
| D741,697     | S *  | 10/2015 | McGrath .....     | D8/382               |
| D741,698     | S *  | 10/2015 | McGrath .....     | D8/382               |
| D743,244     | S    | 11/2015 | Anderson          |                      |
| D763,060     | S    | 8/2016  | Rommel            |                      |
| D765,564     | S    | 9/2016  | Stierli           |                      |
| D784,121     | S *  | 4/2017  | Hutchison .....   | D8/382               |
| D789,257     | S *  | 6/2017  | Bucher .....      | D12/133              |
| D789,540     | S *  | 6/2017  | Gyorgy .....      | D24/155              |
| D791,650     | S *  | 7/2017  | Brown, Jr. ....   | D12/133              |
| D795,754     | S *  | 8/2017  | Zellers, Sr. .... | D12/133              |
| D797,549     | S *  | 9/2017  | Dew .....         | D8/394               |
| D801,881     | S    | 11/2017 | Brown, Jr.        |                      |
| D807,896     | S *  | 1/2018  | Cai .....         | D14/452              |
| D808,256     | S *  | 1/2018  | Muller .....      | D8/396               |
| 2005/0205722 | A1 * | 9/2005  | Krueger .....     | F16L 3/11<br>248/62  |
| 2011/0308192 | A1 * | 12/2011 | Kodi .....        | E04C 5/163<br>52/688 |

\* cited by examiner

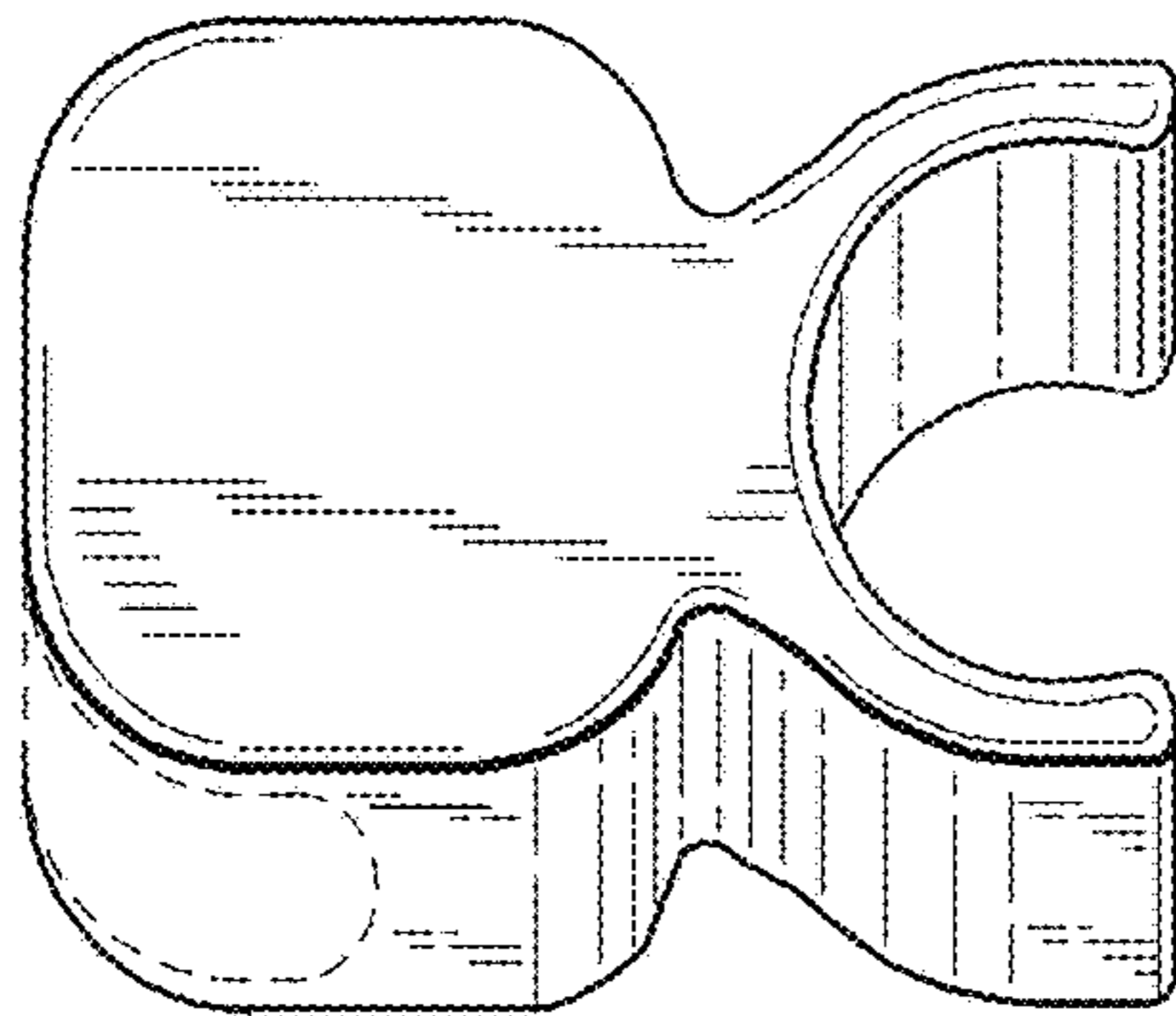
**FIG. 1**



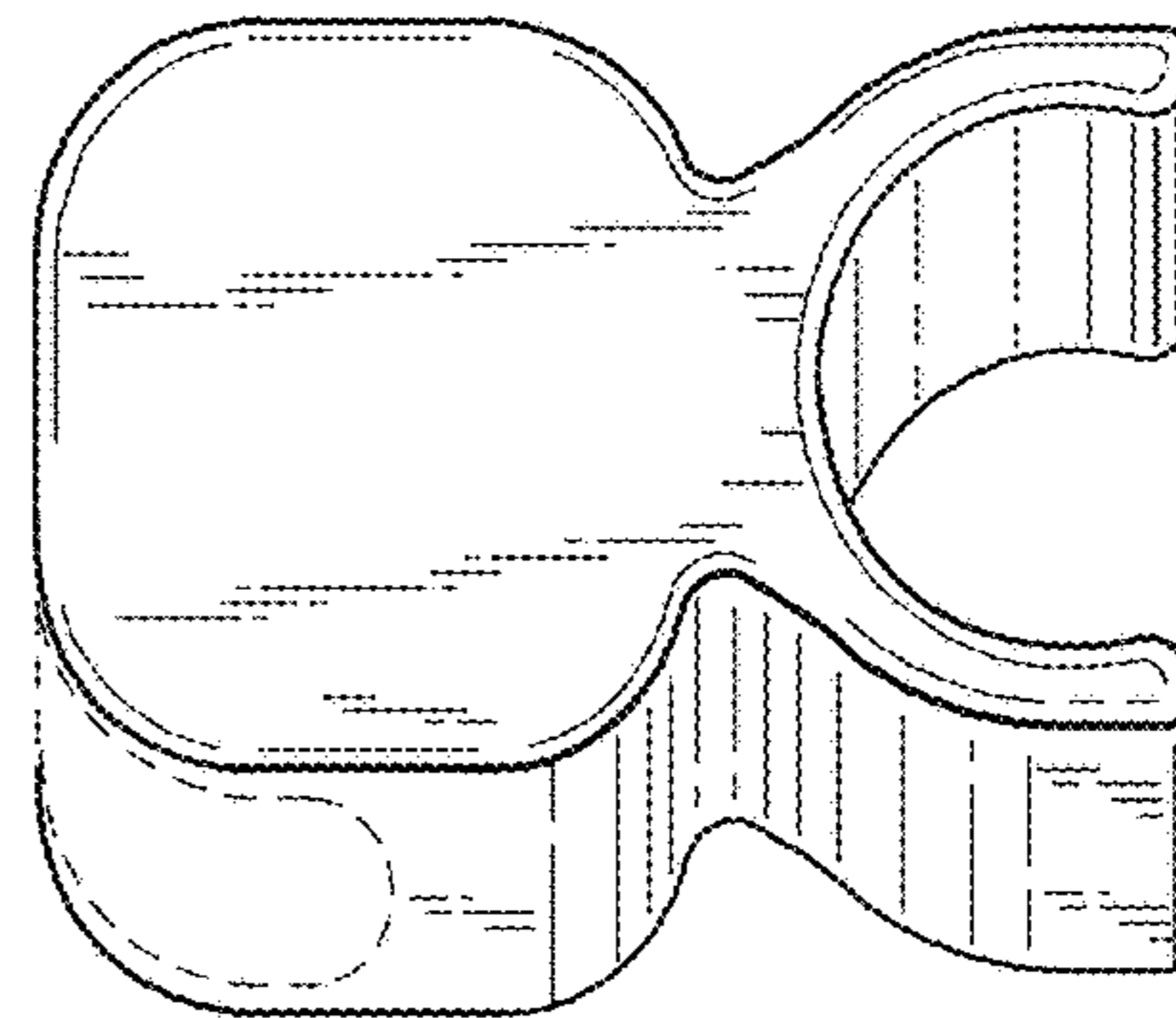
**FIG. 2**



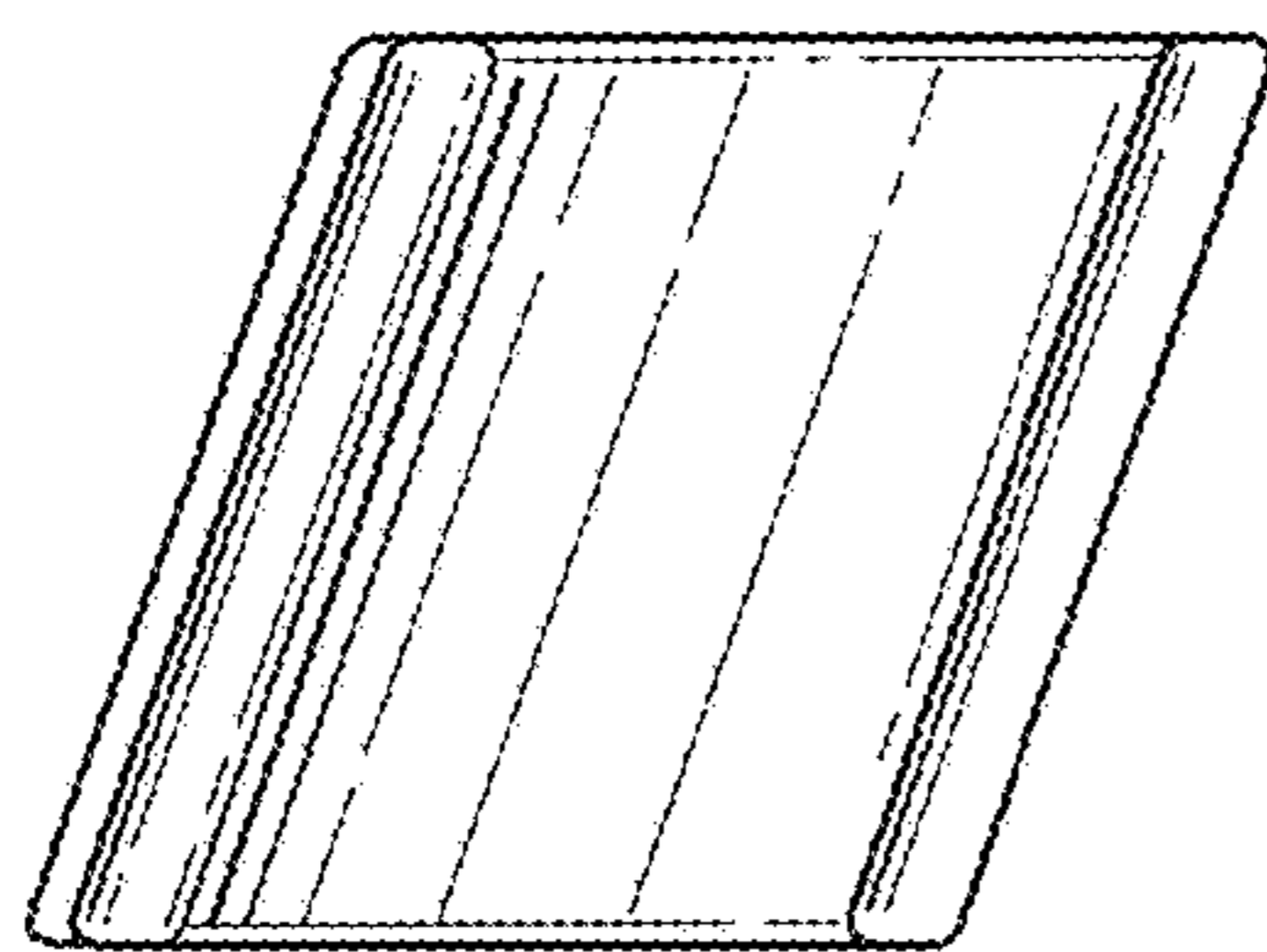
**FIG. 3**



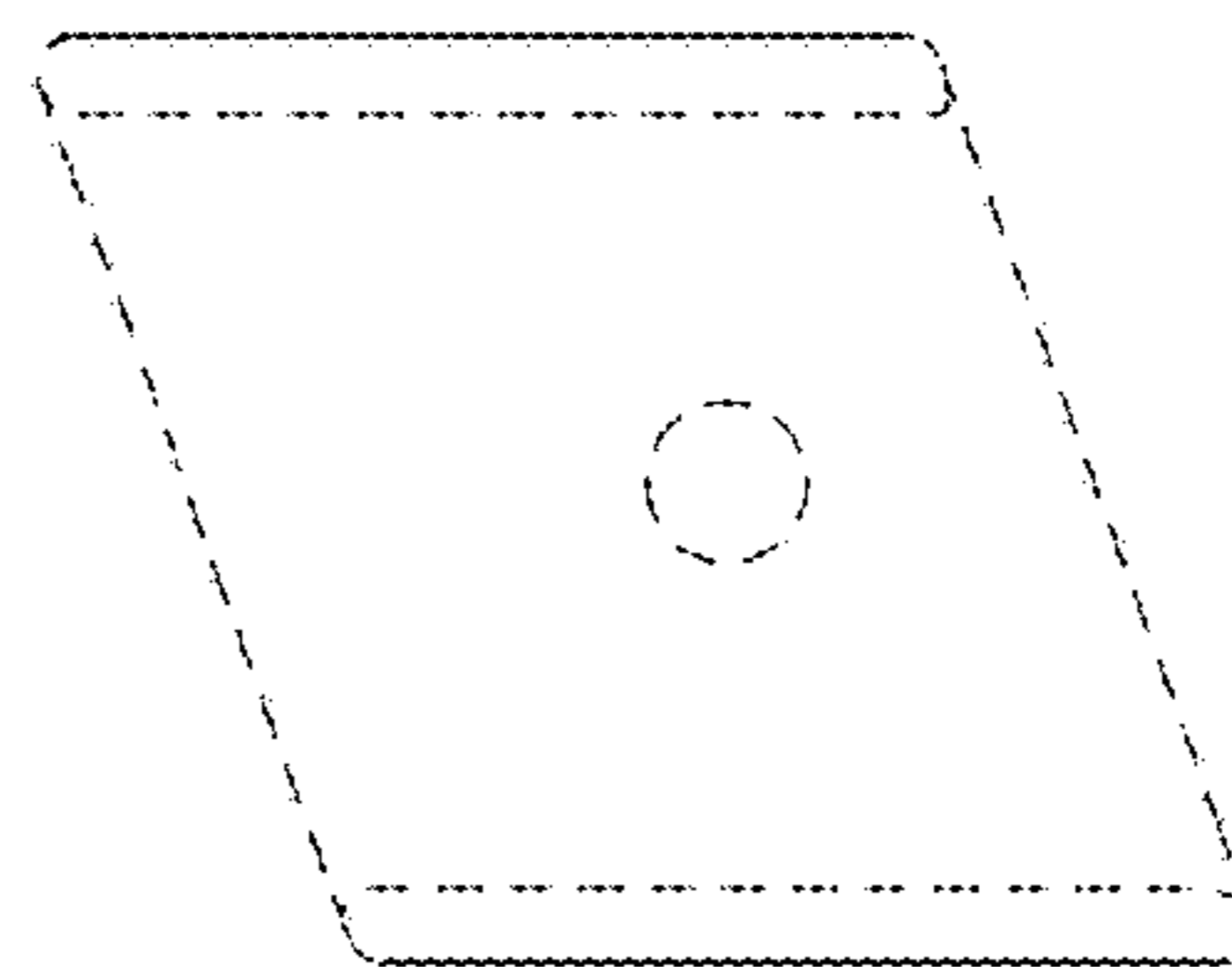
**FIG. 4**



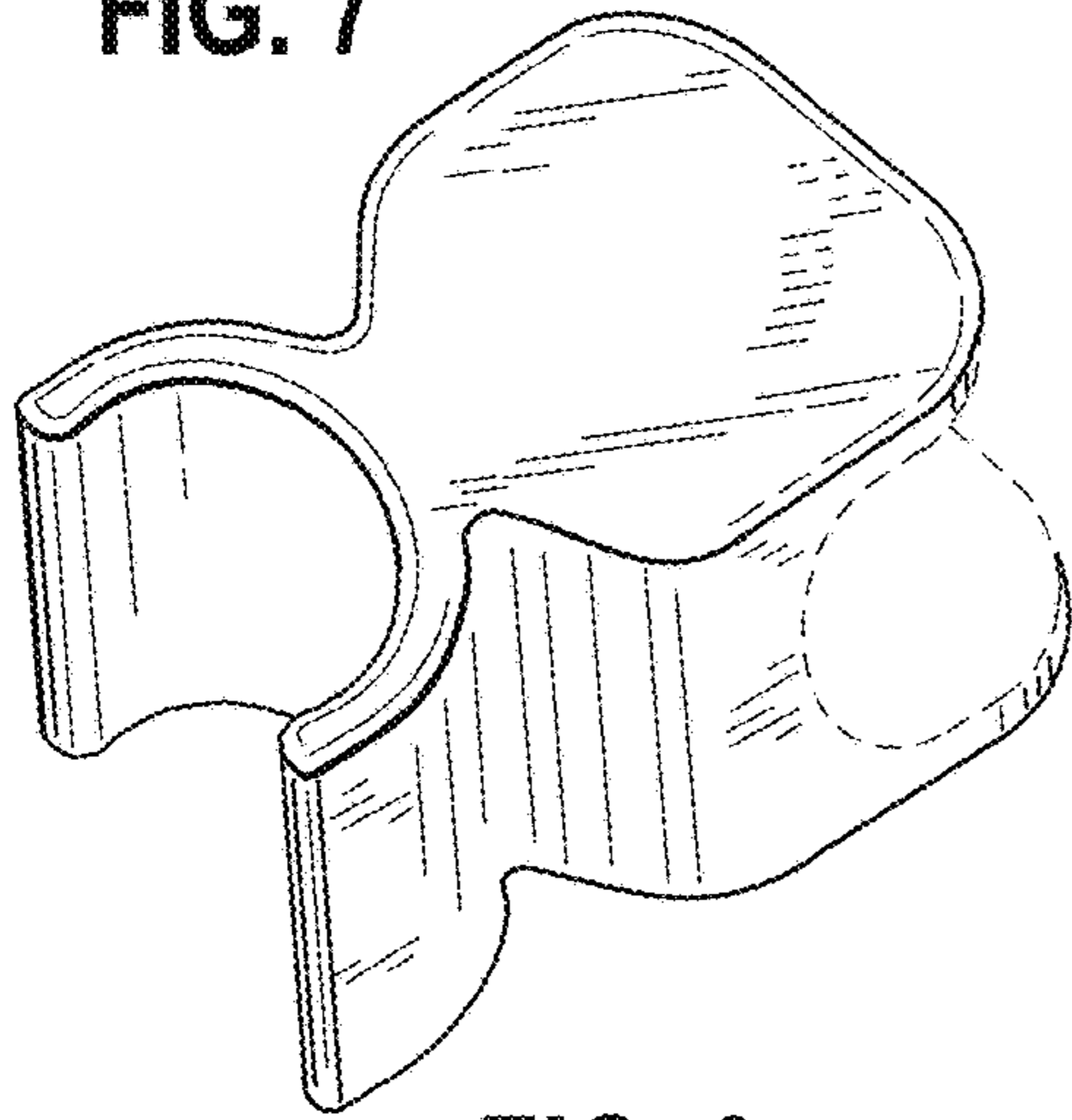
**FIG. 5**



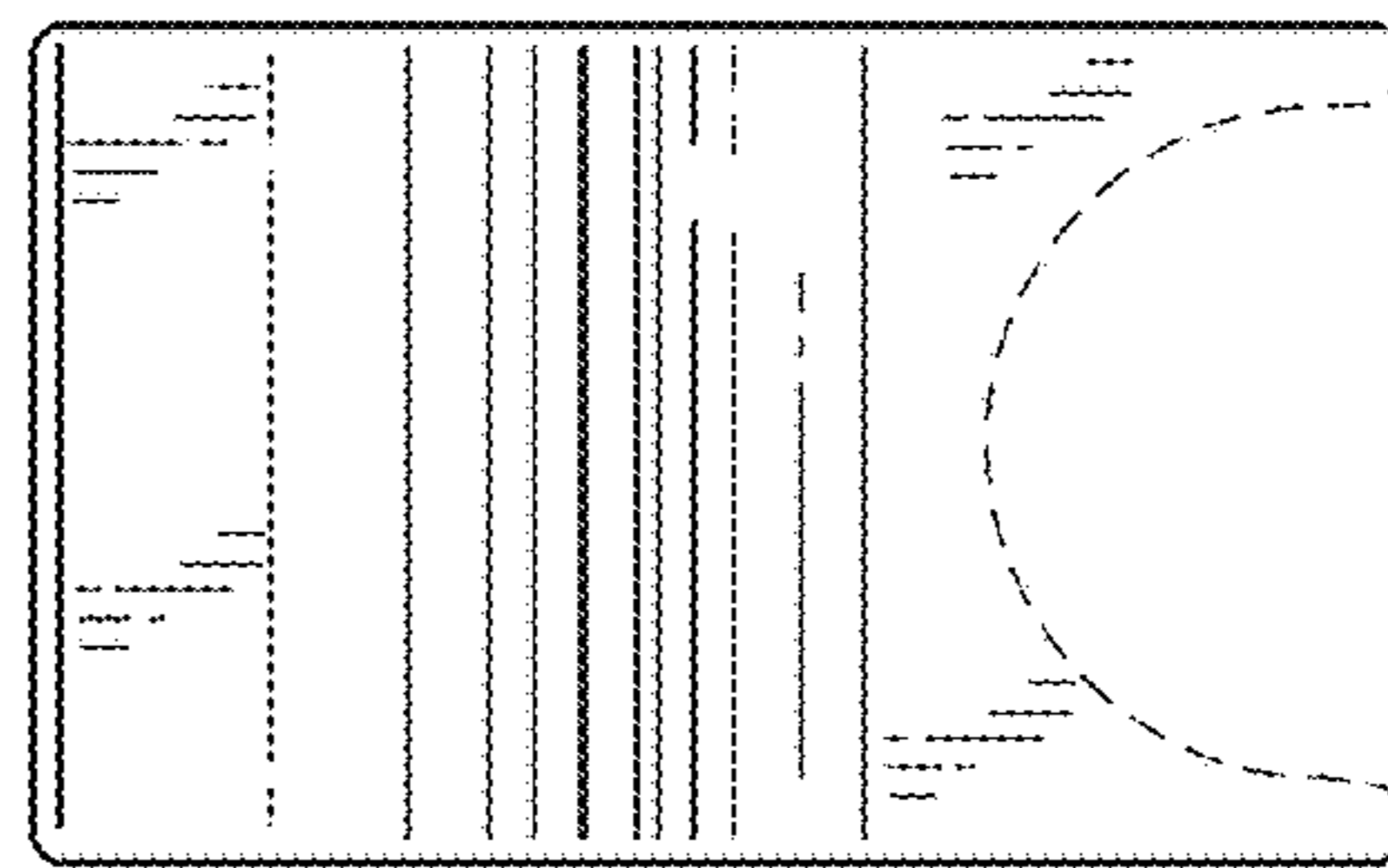
**FIG. 6**



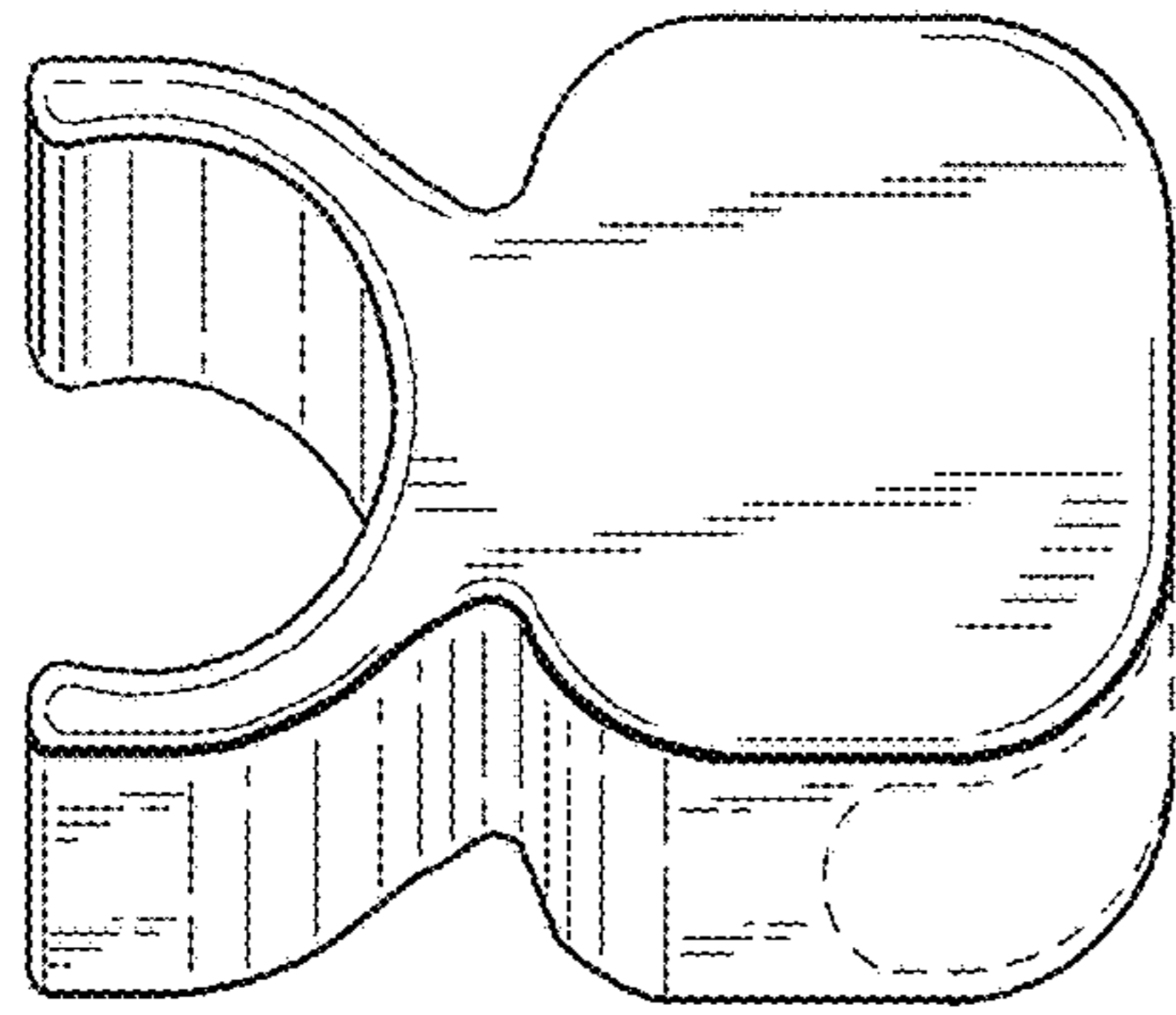
**FIG. 7**



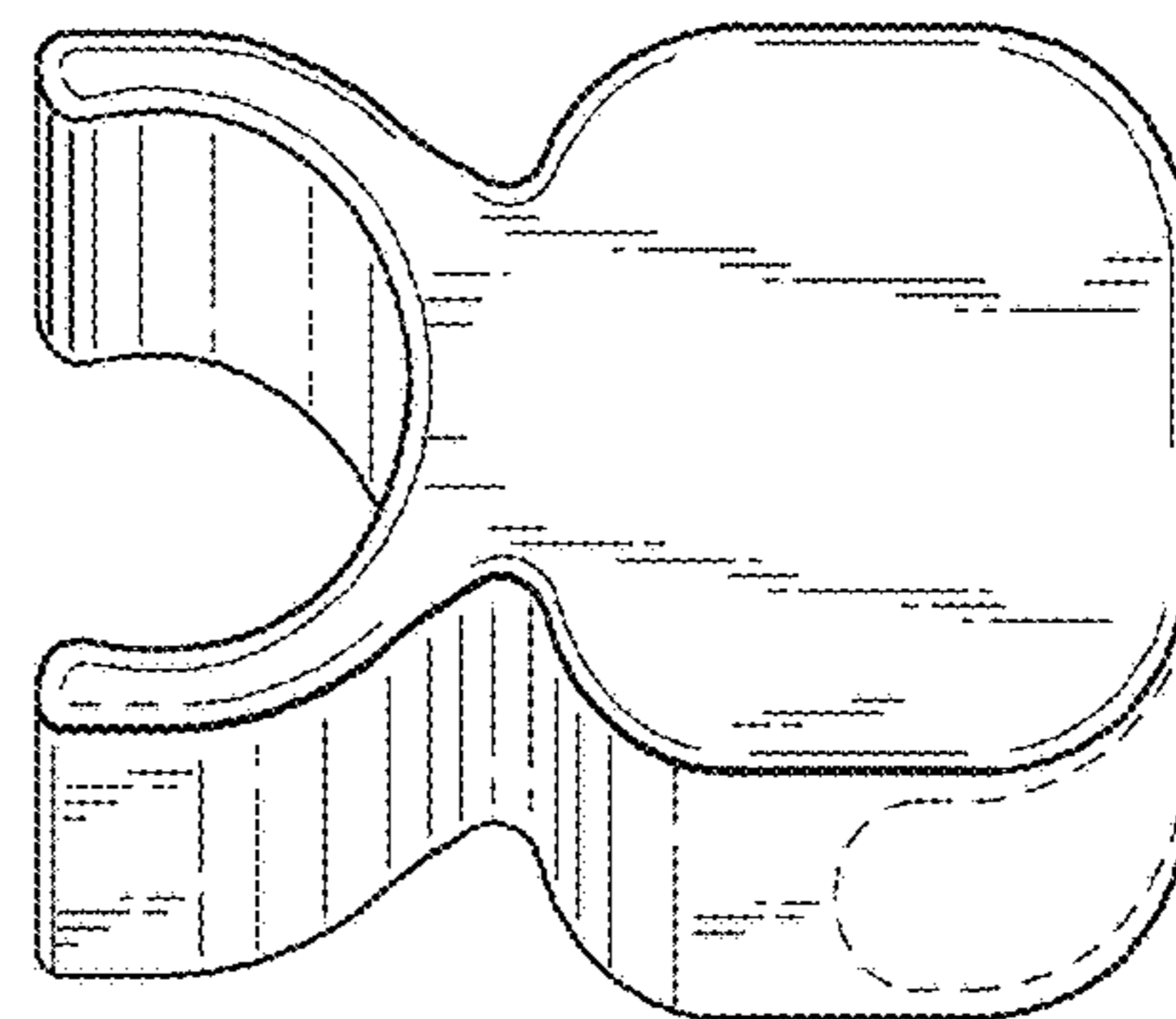
**FIG. 8**



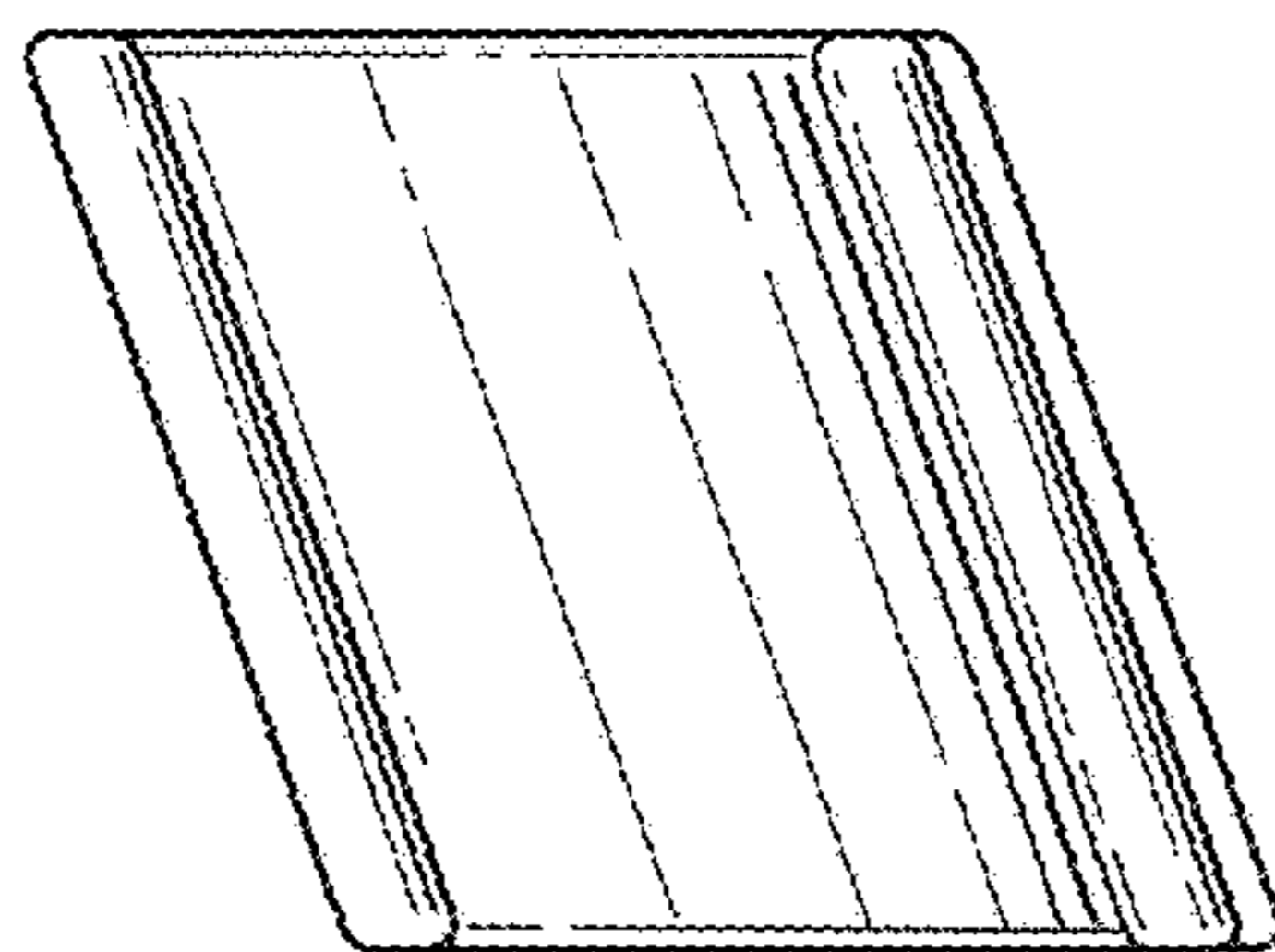
**FIG. 9**



**FIG. 10**



**FIG. 11**



**FIG. 12**

