



US00D830911S

(12) **United States Design Patent** (10) **Patent No.:** **US D830,911 S**
Li (45) **Date of Patent:** **** Oct. 16, 2018**

(54) **ELECTRIC SCOOTER**
(71) Applicant: **William Wei Li**, Norwalk, CA (US)
(72) Inventor: **William Wei Li**, Norwalk, CA (US)
(**) Term: **15 Years**
(21) Appl. No.: **29/583,735**
(22) Filed: **Nov. 8, 2016**

(51) **LOC (11) Cl.** **12-11**
(52) **U.S. Cl.**
USPC **D12/110**
(58) **Field of Classification Search**
USPC D12/110, 111, 112, 114, 117, 119
CPC ... B62K 3/00; B62K 3/02; B62K 5/00; B62K
5/003; B62K 5/007; B62K 5/01; B62K
11/00; B62K 11/02; B62K 11/04; B62K
15/00; B62K 2202/00; B62K 11/10; B62J
1/00

See application file for complete search history.

(56) **References Cited**

U.S. PATENT DOCUMENTS

3,212,791 A * 10/1965 Edwins B62J 1/00
180/227
D441,323 S * 5/2001 Cheng D12/111
D470,438 S * 2/2003 Tateishi D12/110
D543,903 S * 6/2007 Kashima D12/110
D591,203 S * 4/2009 Martin D12/110
D596,084 S * 7/2009 Wu D12/110

D679,223 S * 4/2013 Loasby D12/110
D731,363 S * 6/2015 Duncan D12/110
D788,649 S * 6/2017 Chang D12/110
D806,610 S * 1/2018 Su D12/110
2003/0094324 A1* 5/2003 Huang B62K 11/00
180/220
2009/0115167 A1* 5/2009 Chin B62K 11/10
280/639
2012/0013103 A1* 1/2012 Marion B62K 11/10
280/639
2017/0113753 A1* 4/2017 Chang B62K 11/04

* cited by examiner

Primary Examiner — Karen S Acker
Assistant Examiner — Jerry Shiuan-Hua Hsu
(74) *Attorney, Agent, or Firm* — Clement Cheng

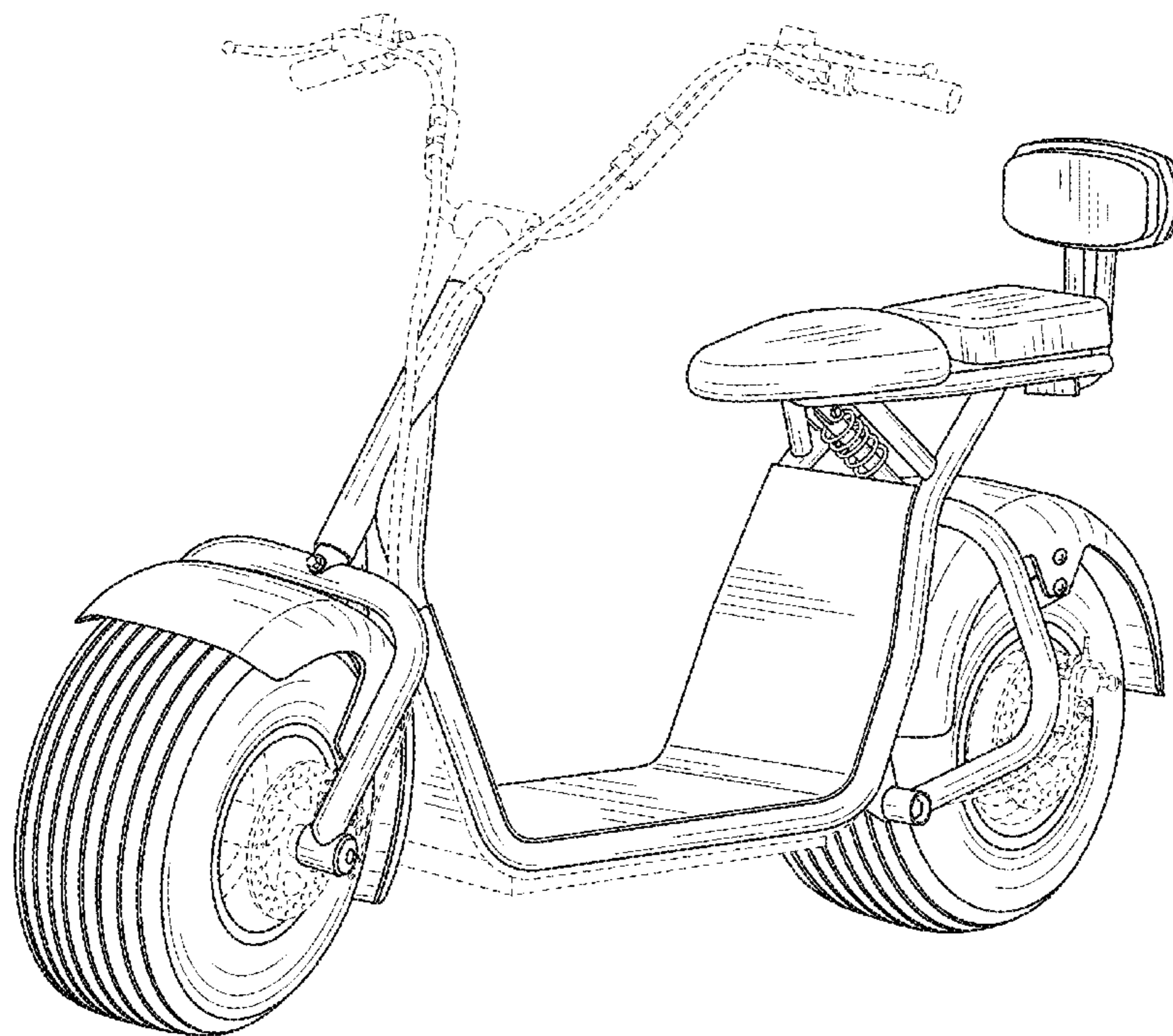
(57) **CLAIM**

The ornamental design for an electric scooter, as shown and described.

DESCRIPTION

FIG. 1 is a front perspective view.
FIG. 2 is a front view.
FIG. 3 is a rear view.
FIG. 4 is a left side view.
FIG. 5 is a right side view.
FIG. 6 is a top view.
FIG. 7 is a bottom view; and,
FIG. 8 is a rear perspective view.
The broken lines illustrate portions of the electric scooter that form no part of the claimed design.

1 Claim, 8 Drawing Sheets



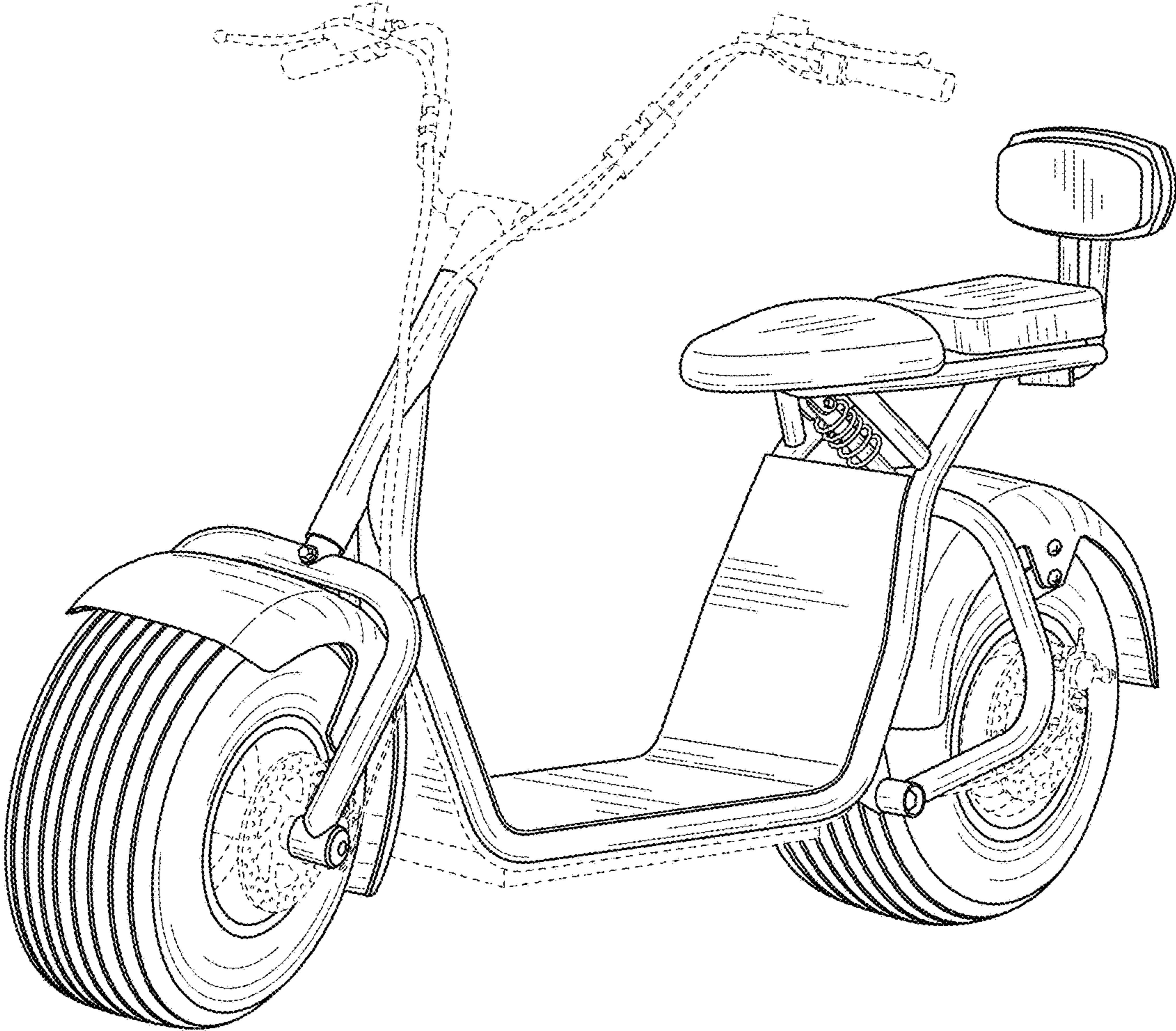


FIG. 1

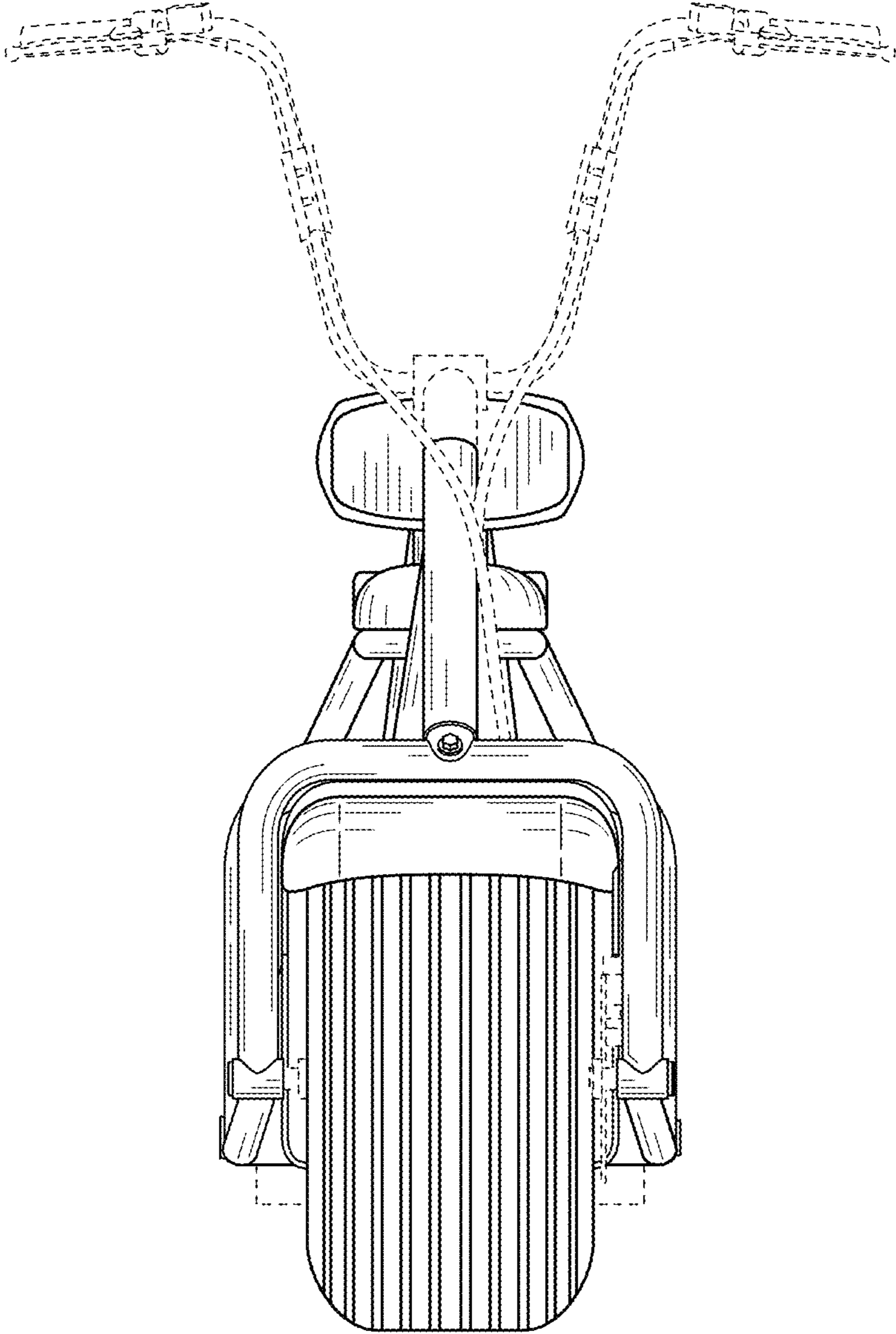


FIG. 2

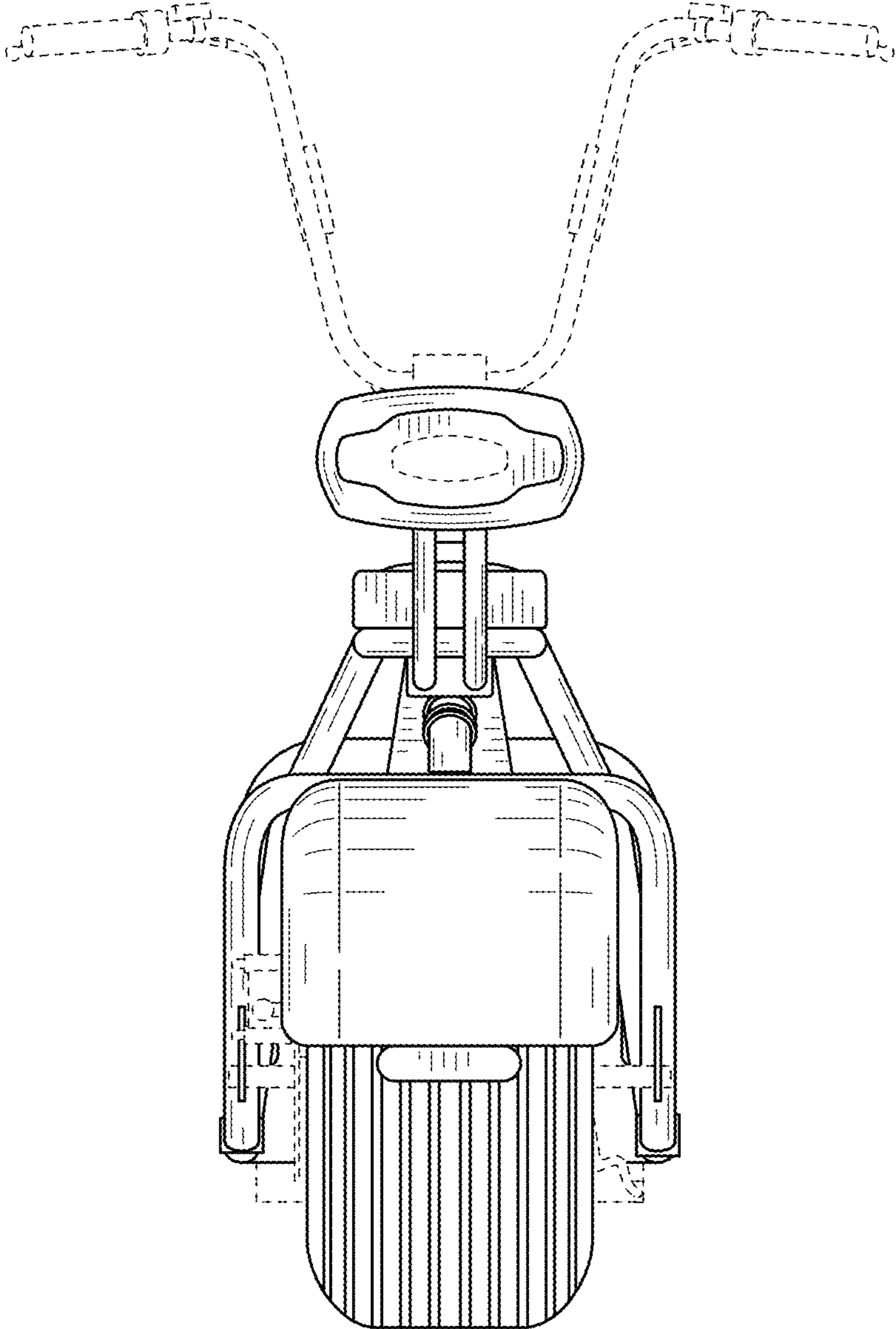


FIG. 3

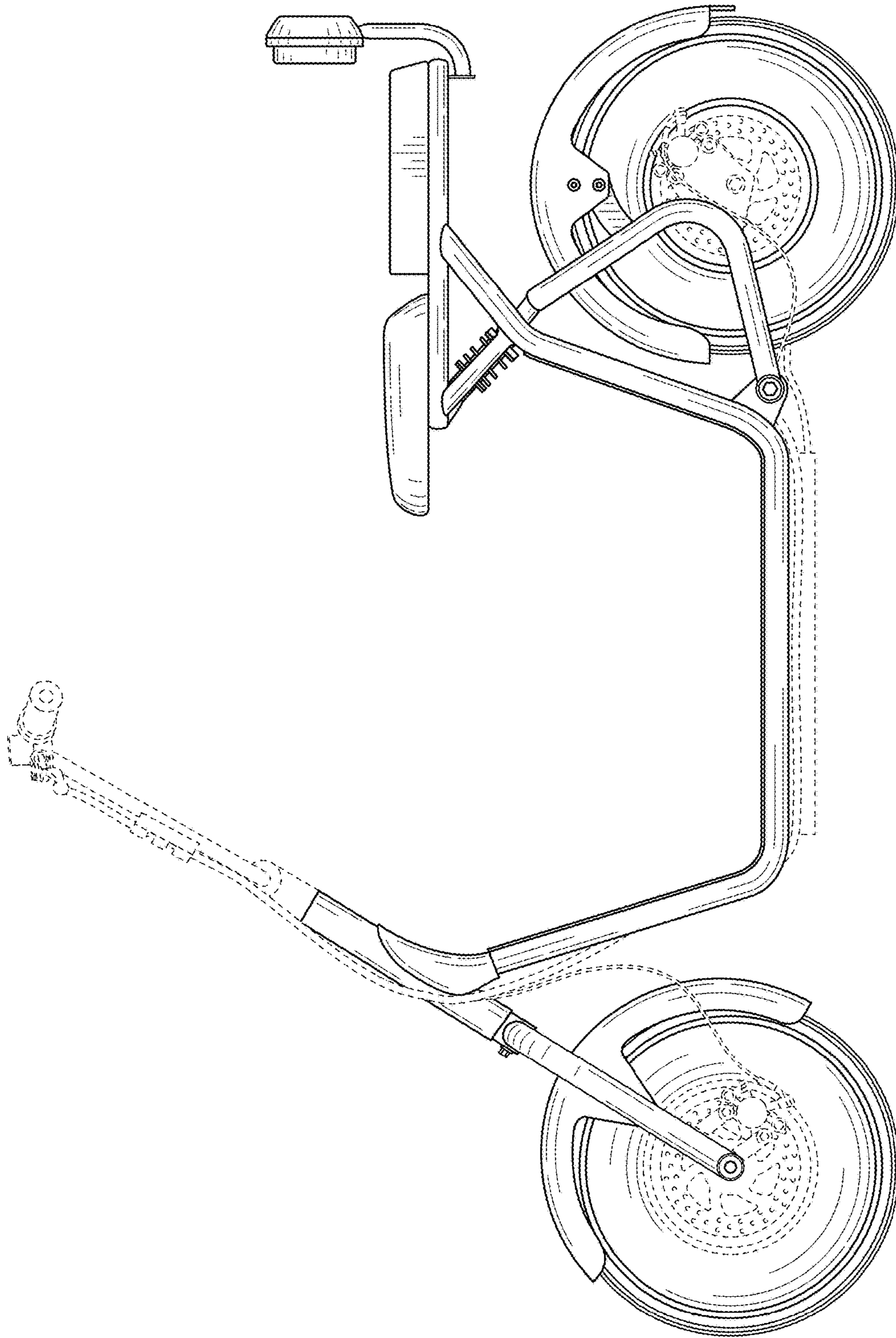


FIG. 4

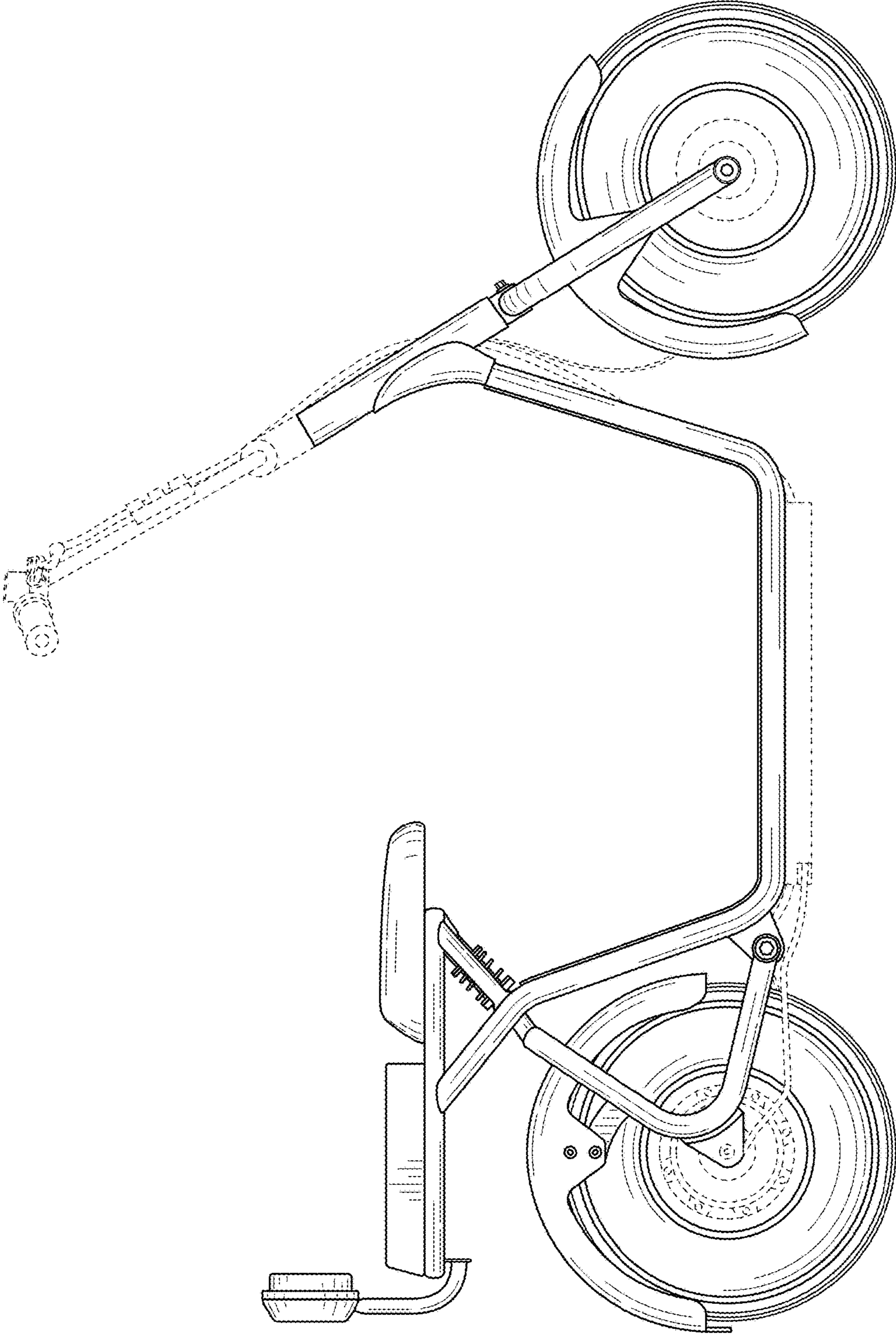


FIG. 5

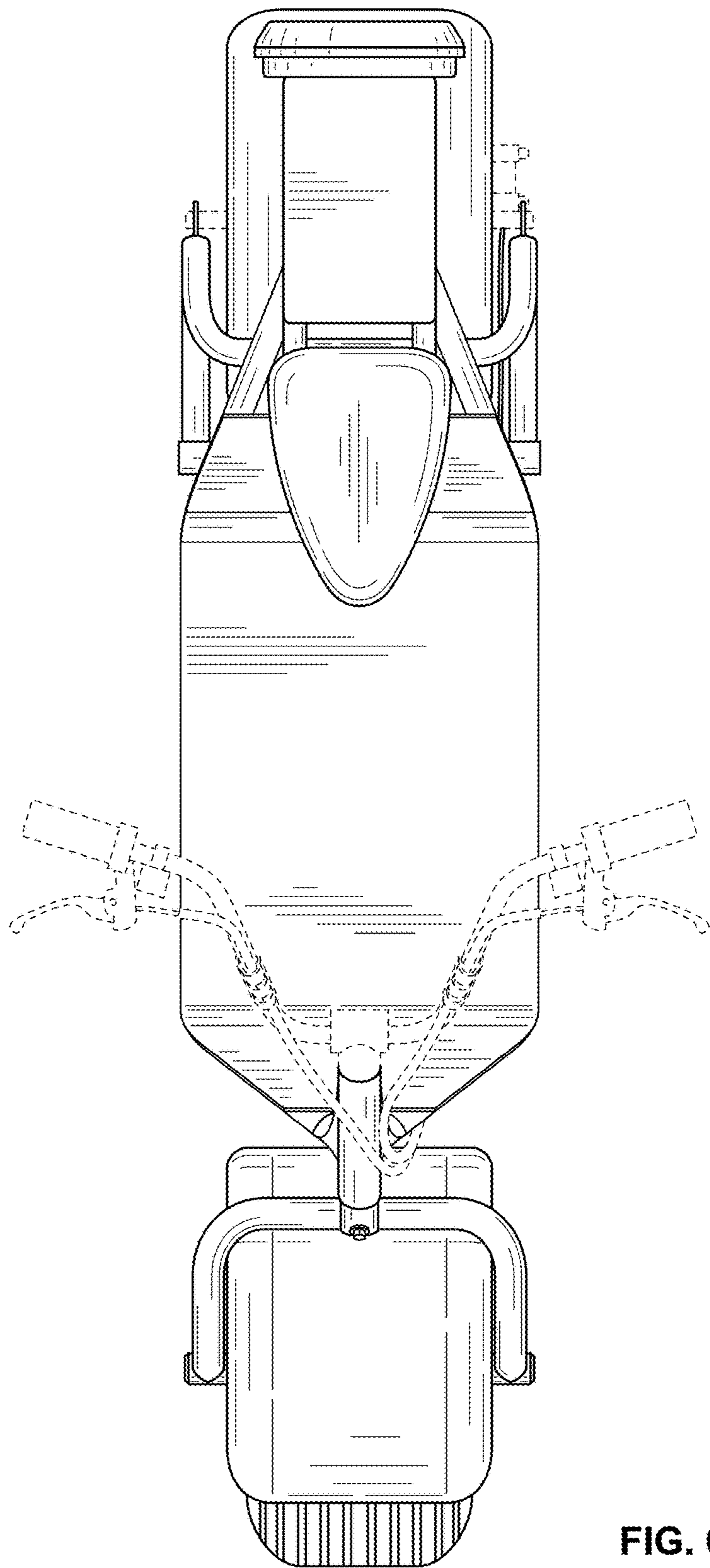


FIG. 6

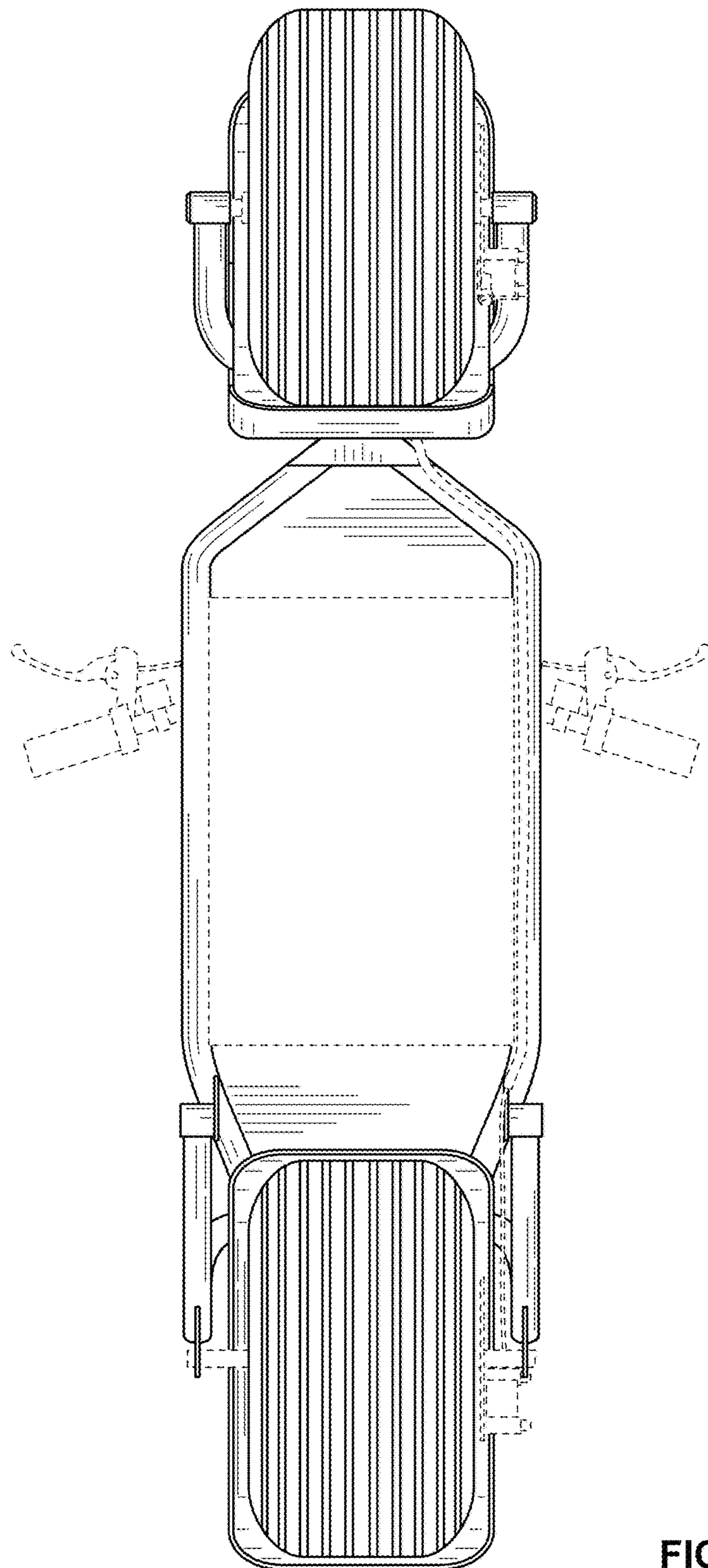


FIG. 7

