



US00D830907S

(12) **United States Design Patent** (10) **Patent No.:** **US D830,907 S**  
**Baer** (45) **Date of Patent:** **\*\* Oct. 16, 2018**

(54) **VEHICLE, TOY, AND/OR REPLICAS THEREOF**

D710,760 S \* 8/2014 Johnson ..... D12/91  
D714,190 S 9/2014 Kim  
D757,607 S \* 5/2016 Nissl ..... D12/91  
D762,524 S \* 8/2016 Luk ..... D12/91  
D776,005 S \* 1/2017 Forschner ..... D12/91

(71) Applicant: **Bayerische Motoren Werke Aktiengesellschaft, Munich (DE)**

(72) Inventor: **Viktor Baer, Eching (DE)**

(73) Assignee: **Bayerische Motoren Werke Aktiengesellschaft, Munich (DE)**

(\*\*) Term: **15 Years**

(21) Appl. No.: **29/614,289**

(22) Filed: **Aug. 17, 2017**

(30) **Foreign Application Priority Data**

Feb. 23, 2017 (DE) ..... 40 2017 100 196

(51) **LOC (11) Cl.** ..... **12-08**

(52) **U.S. Cl.**  
USPC ..... **D12/91**

(58) **Field of Classification Search**  
USPC ..... D12/86, 90-92; D21/424, 433, 434;  
296/181.1-181.5, 183.1  
CPC ..... B62D 25/00; B62D 25/06; B62D 33/00;  
B62D 35/00

See application file for complete search history.

(56) **References Cited**

**U.S. PATENT DOCUMENTS**

D684,502 S 6/2013 Kim  
D686,110 S \* 7/2013 De Bono ..... D12/91

**FOREIGN PATENT DOCUMENTS**

EM 001819269-0001 2/2011  
EM 001898289-0001 9/2011  
EM 001983032-0001 2/2012

\* cited by examiner

*Primary Examiner* — Melody N Brown

(74) *Attorney, Agent, or Firm* — Crowell & Moring LLP

(57) **CLAIM**

The ornamental design for a vehicle, toy, and/or replicas thereof, as shown and described.

**DESCRIPTION**

FIG. 1 is a left, front perspective view of a vehicle, toy, and/or replicas thereof according to the design;  
FIG. 2 is a left side view thereof;  
FIG. 3 is a right side view thereof;  
FIG. 4 is a right, rear perspective view thereof;  
FIG. 5 is a front view thereof;  
FIG. 6 is a rear view thereof; and,  
FIG. 7 is a top view thereof.

**1 Claim, 7 Drawing Sheets**



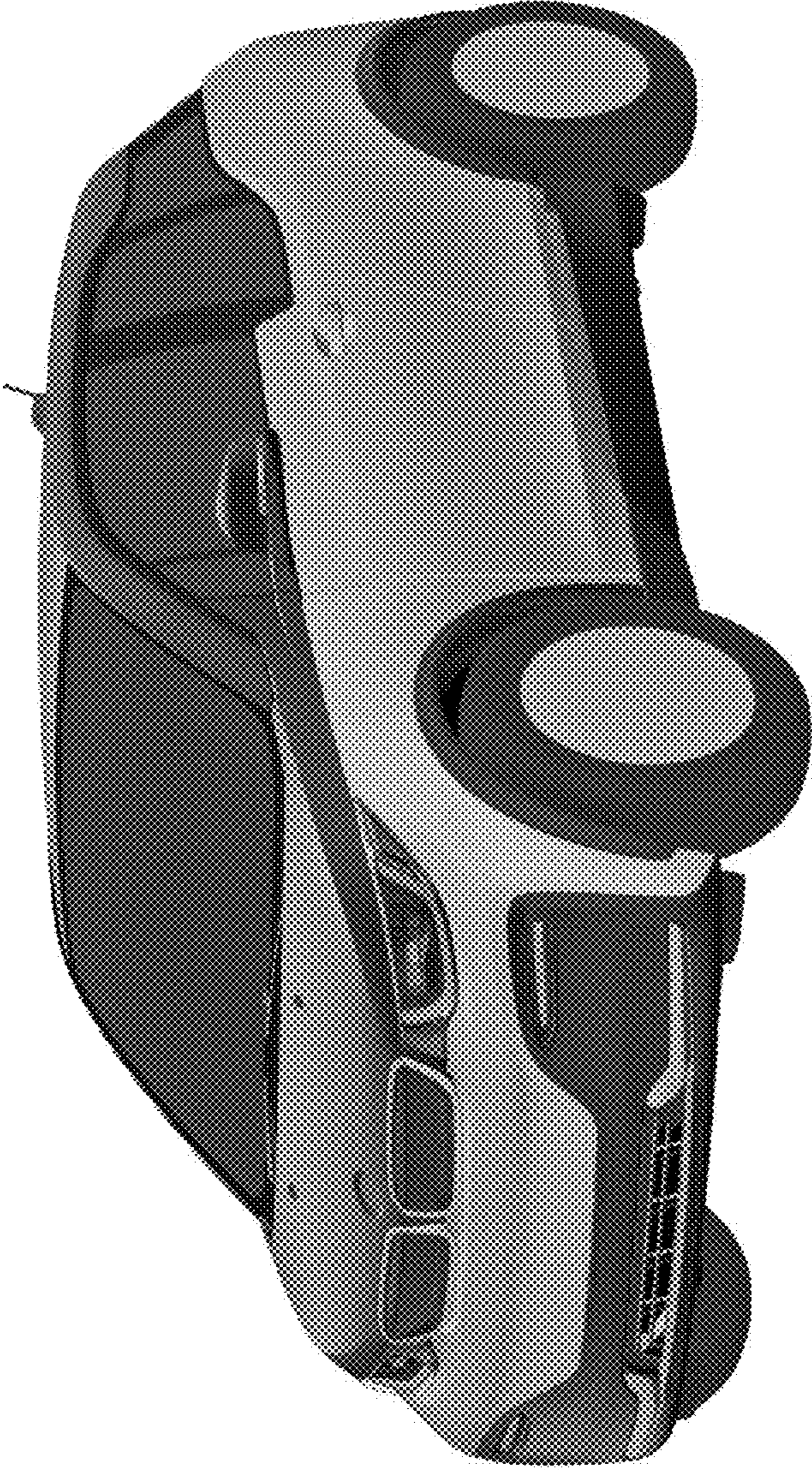


Fig. 1

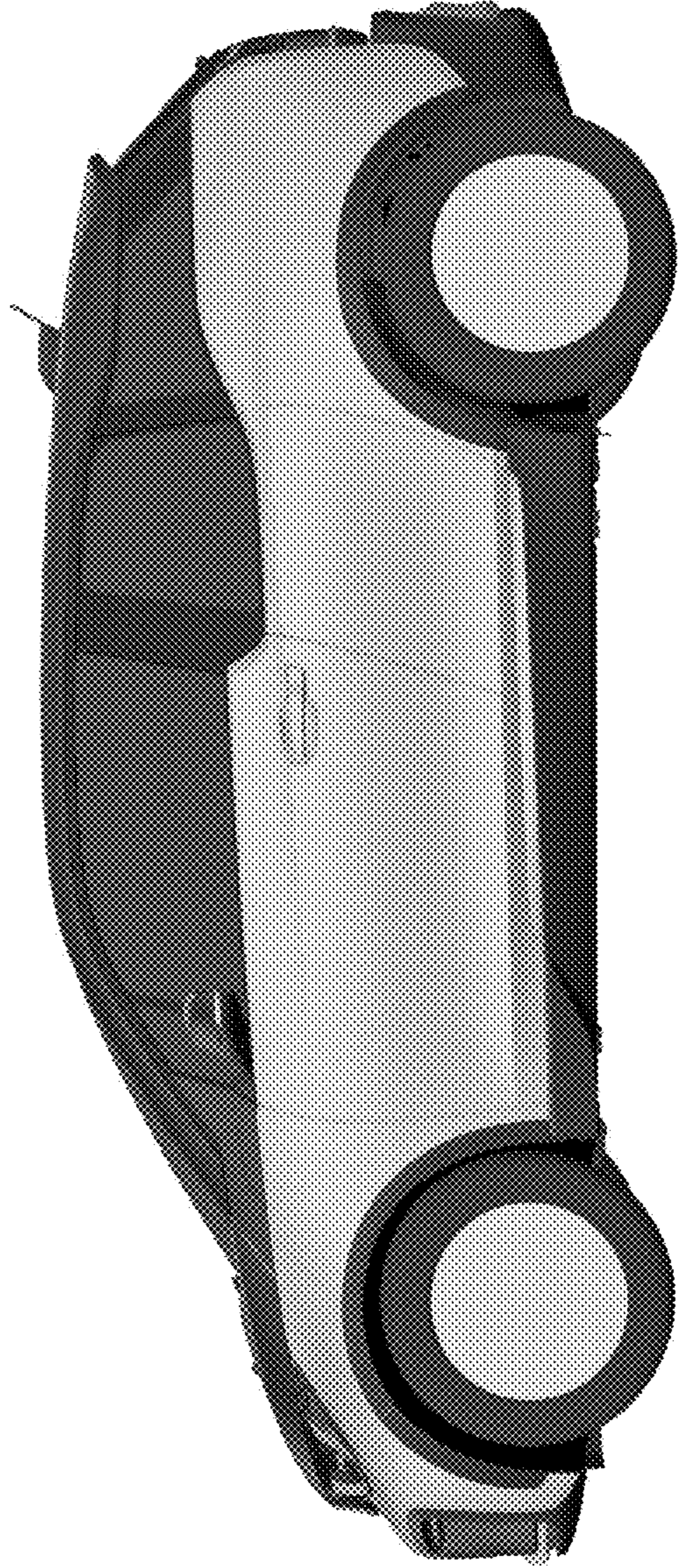


Fig. 2

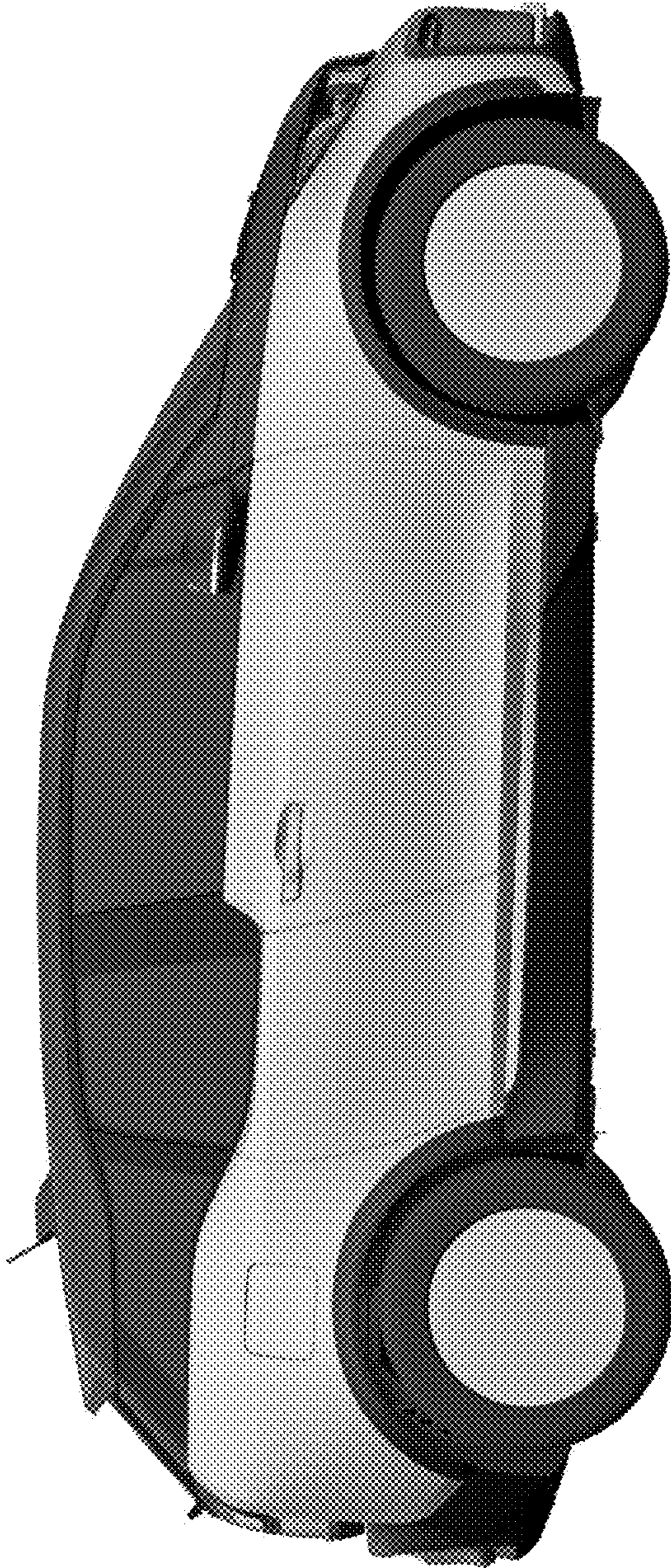


Fig. 3



Fig. 4



Fig. 5



Fig. 6



Fig. 7