



US00D830906S

(12) **United States Design Patent** (10) **Patent No.:** **US D830,906 S**  
**Yoshimine et al.** (45) **Date of Patent:** **\*\* Oct. 16, 2018**

(54) **AUTOMOBILE**

(56) **References Cited**

(71) Applicant: **mitsubishi JIDOSHA KOGYO  
KABUSHIKI KAISHA, Tokyo (JP)**

U.S. PATENT DOCUMENTS

(72) Inventors: **Norihiko Yoshimine, Tokyo (JP);  
Atsushi Goto, Tokyo (JP)**

D584,996 S \* 1/2009 Jamieson ..... D12/91  
D683,264 S \* 5/2013 Kanazawa ..... D12/91  
D695,645 S \* 12/2013 Tase ..... D12/91  
D697,834 S \* 1/2014 Okue ..... D12/91  
D719,875 S \* 12/2014 Jang ..... D12/91  
D755,676 S \* 5/2016 Yoshimine ..... D12/91  
D804,369 S \* 12/2017 Akita ..... D12/164

(73) Assignee: **MITSUBISHI JIDOSHA KOGYO  
KABUSHIKI KAISHA, Tokyo (JP)**

\* cited by examiner

(\*\*) Term: **15 Years**

*Primary Examiner* — Melody N Brown

(21) Appl. No.: **29/597,933**

(74) *Attorney, Agent, or Firm* — Birch, Stewart, Kolasch  
& Birch, LLP

(22) Filed: **Mar. 21, 2017**

(57) **CLAIM**

The ornamental design for an automobile, as shown and described.

(30) **Foreign Application Priority Data**

**DESCRIPTION**

Sep. 22, 2016 (JP) ..... 2016-020407

(51) **LOC (11) Cl.** ..... **12-08**

(52) **U.S. Cl.**  
USPC ..... **D12/91**

(58) **Field of Classification Search**  
USPC ..... D12/86, 90-92, 88, 164; D21/421, 433,  
D21/434; 296/181.1, 181.5  
CPC ..... B62D 35/00; B62D 25/00; B62D 25/06;  
B62D 33/00

FIG. 1 is a front and right side perspective view of an automobile showing our new design;  
FIG. 2 is a rear and right side perspective view thereof;  
FIG. 3 is a right side view thereof;  
FIG. 4 is a left side view thereof;  
FIG. 5 is a front view thereof;  
FIG. 6 is a rear view thereof; and,  
FIG. 7 is a top view thereof.

See application file for complete search history.

**1 Claim, 4 Drawing Sheets**

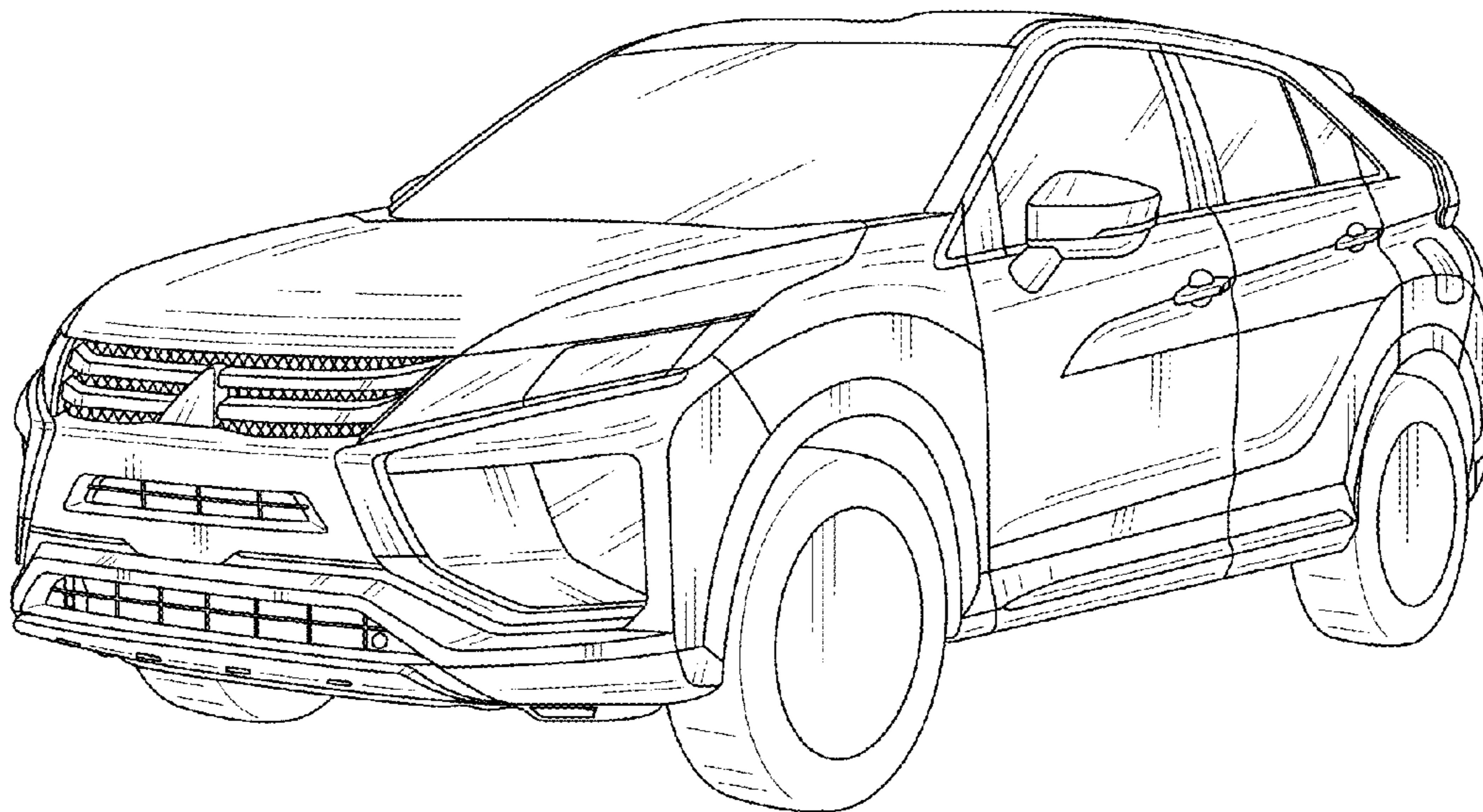


Fig. 1

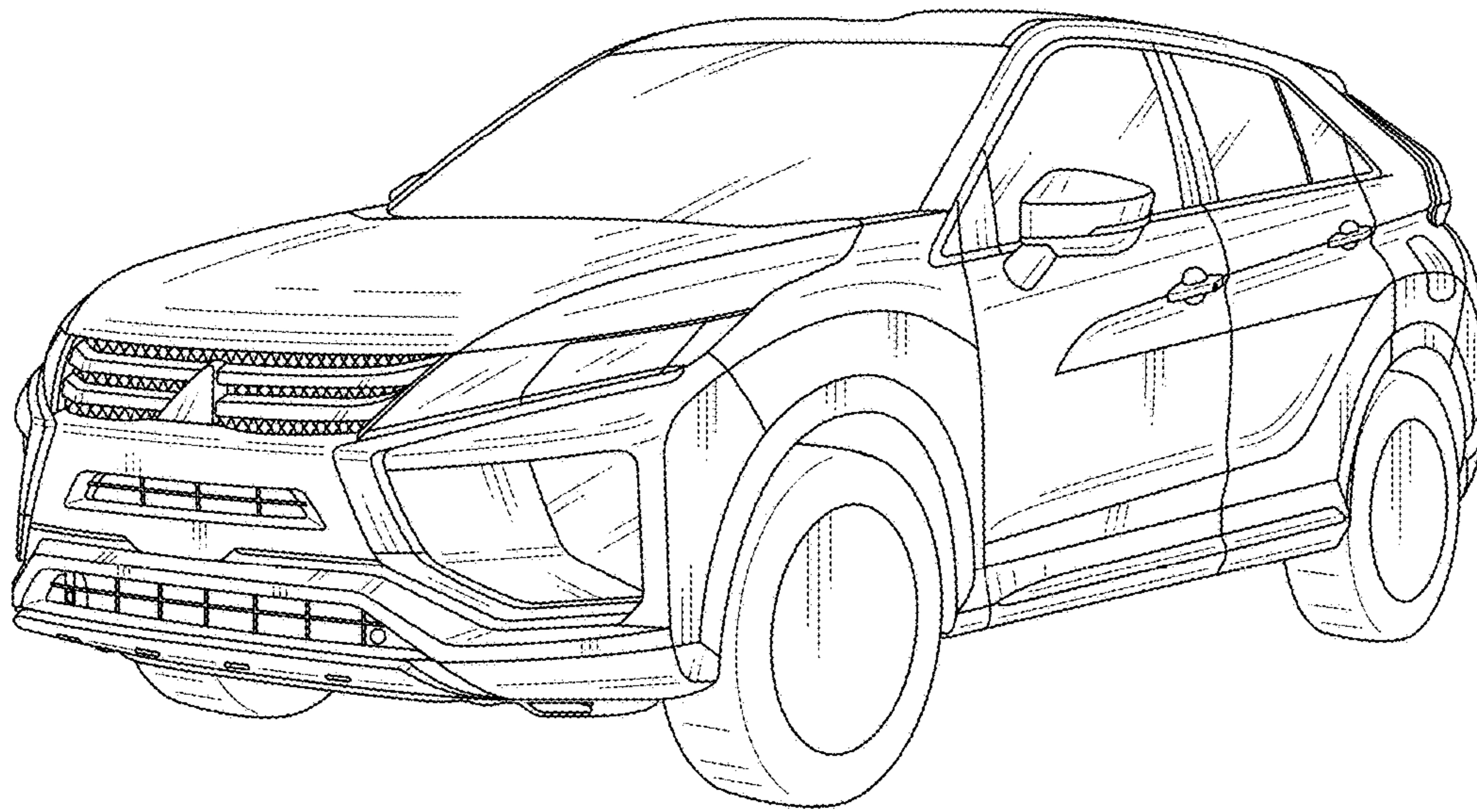


Fig. 2

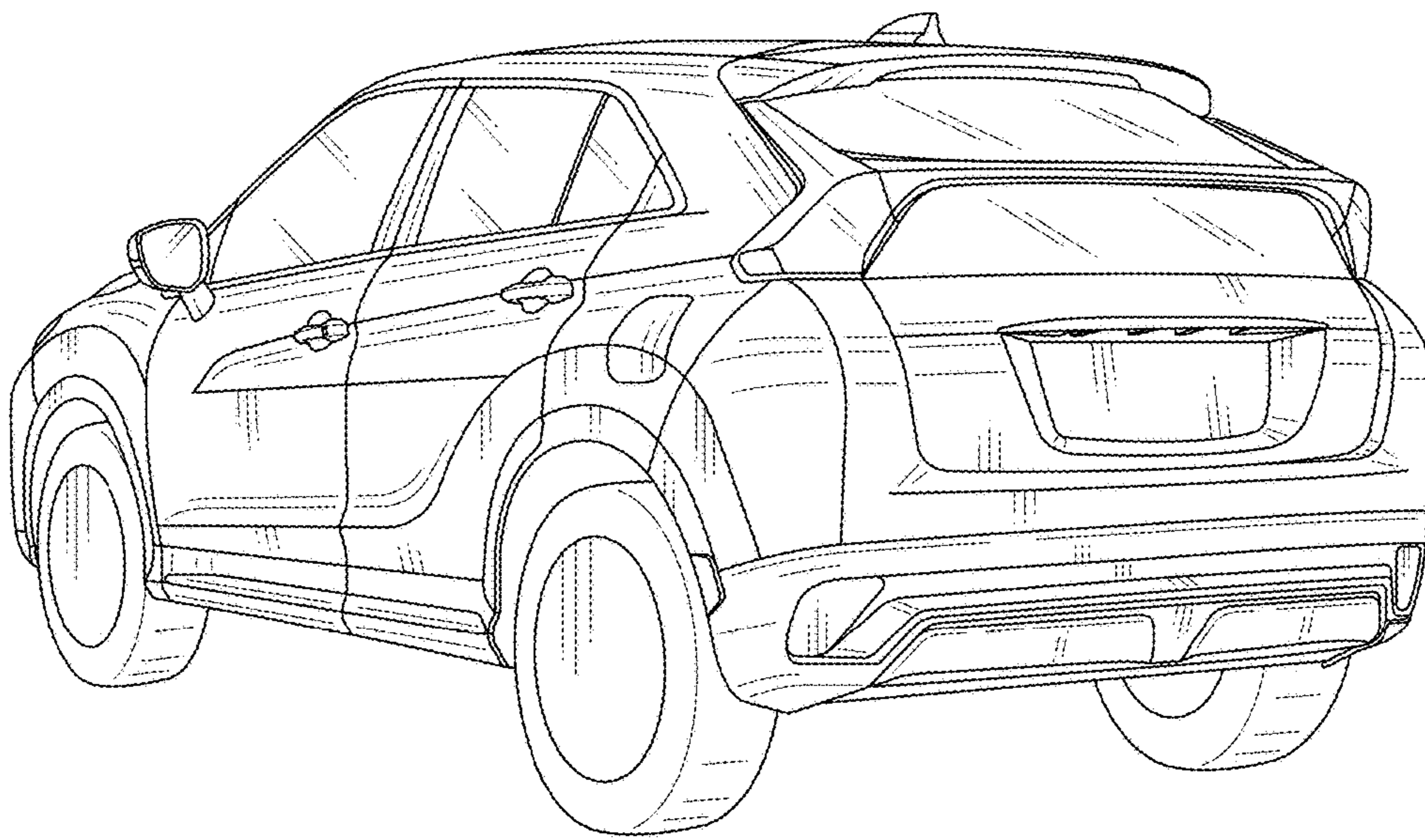


Fig. 3

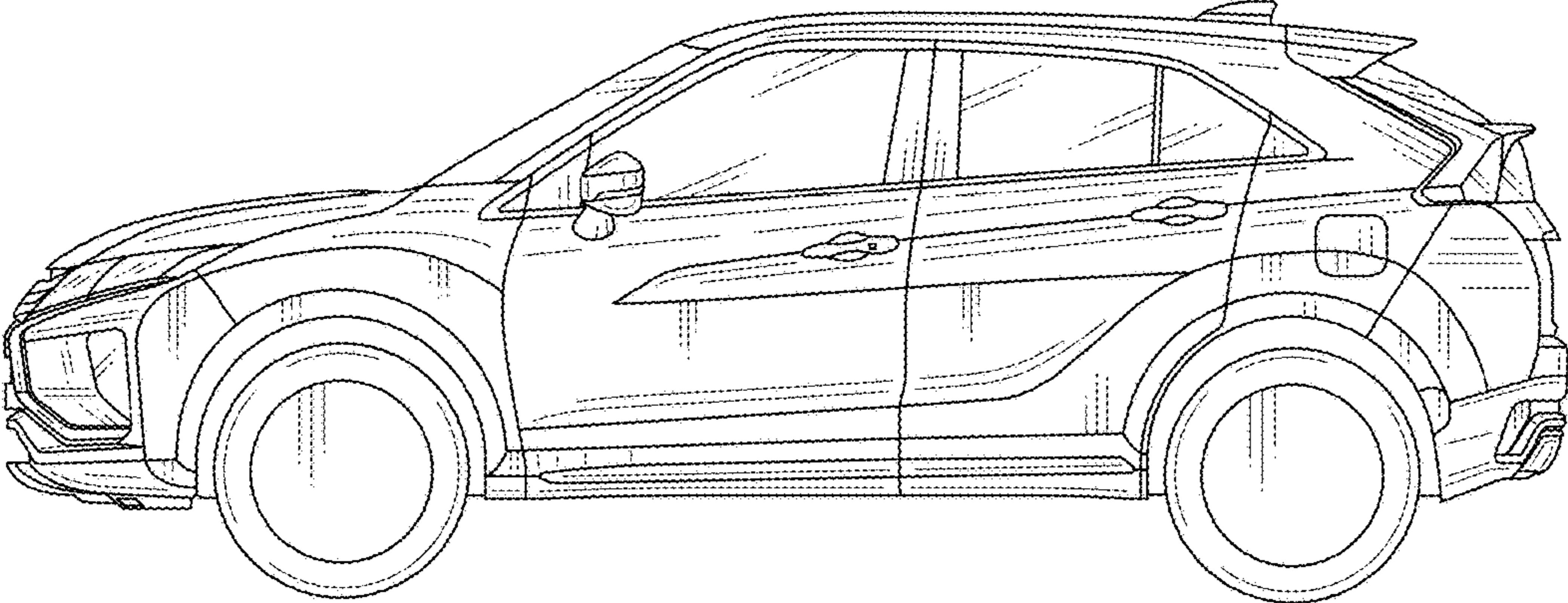


Fig. 4

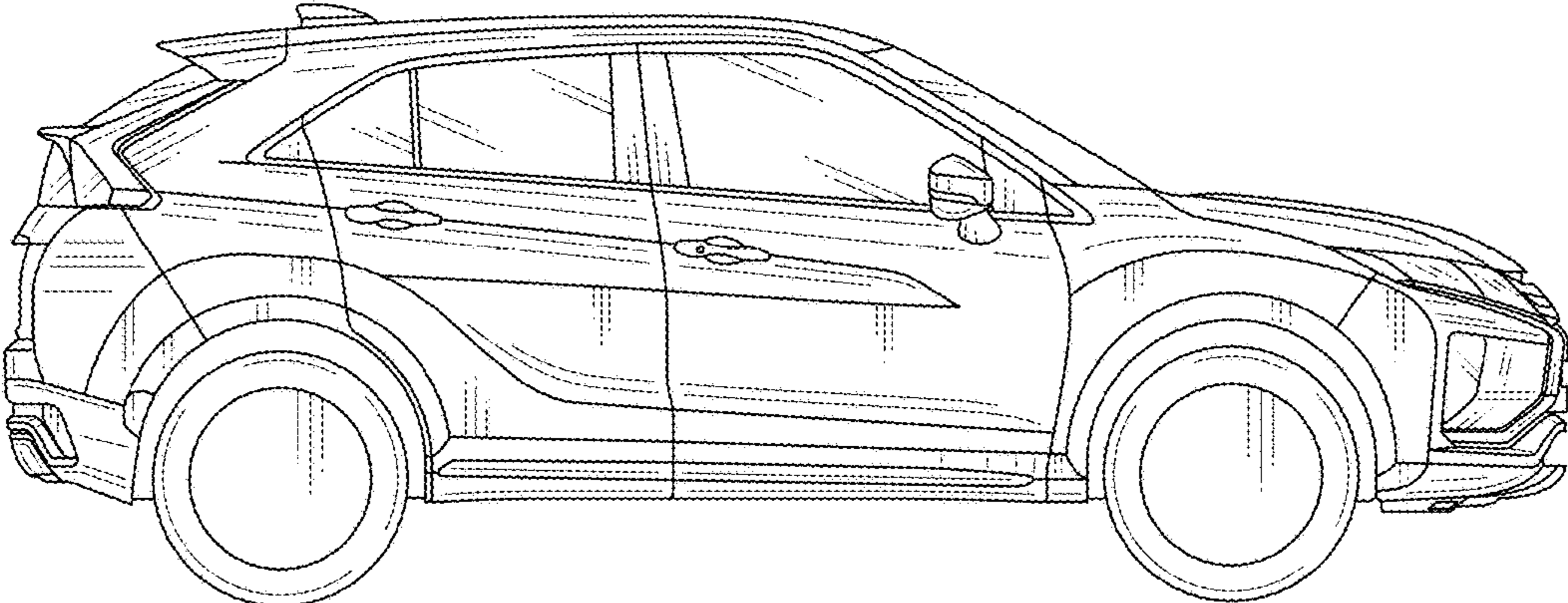


Fig. 5

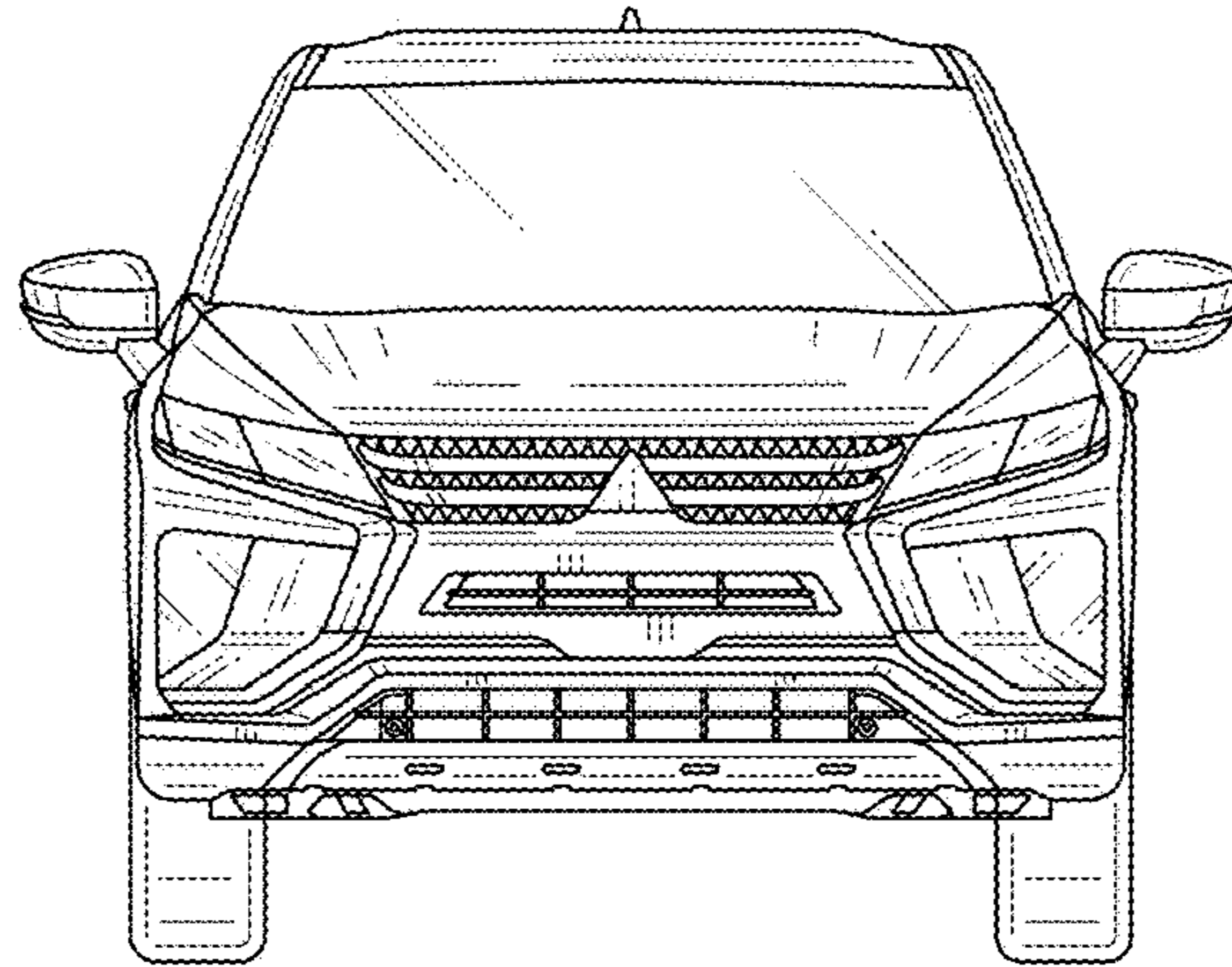


Fig. 6

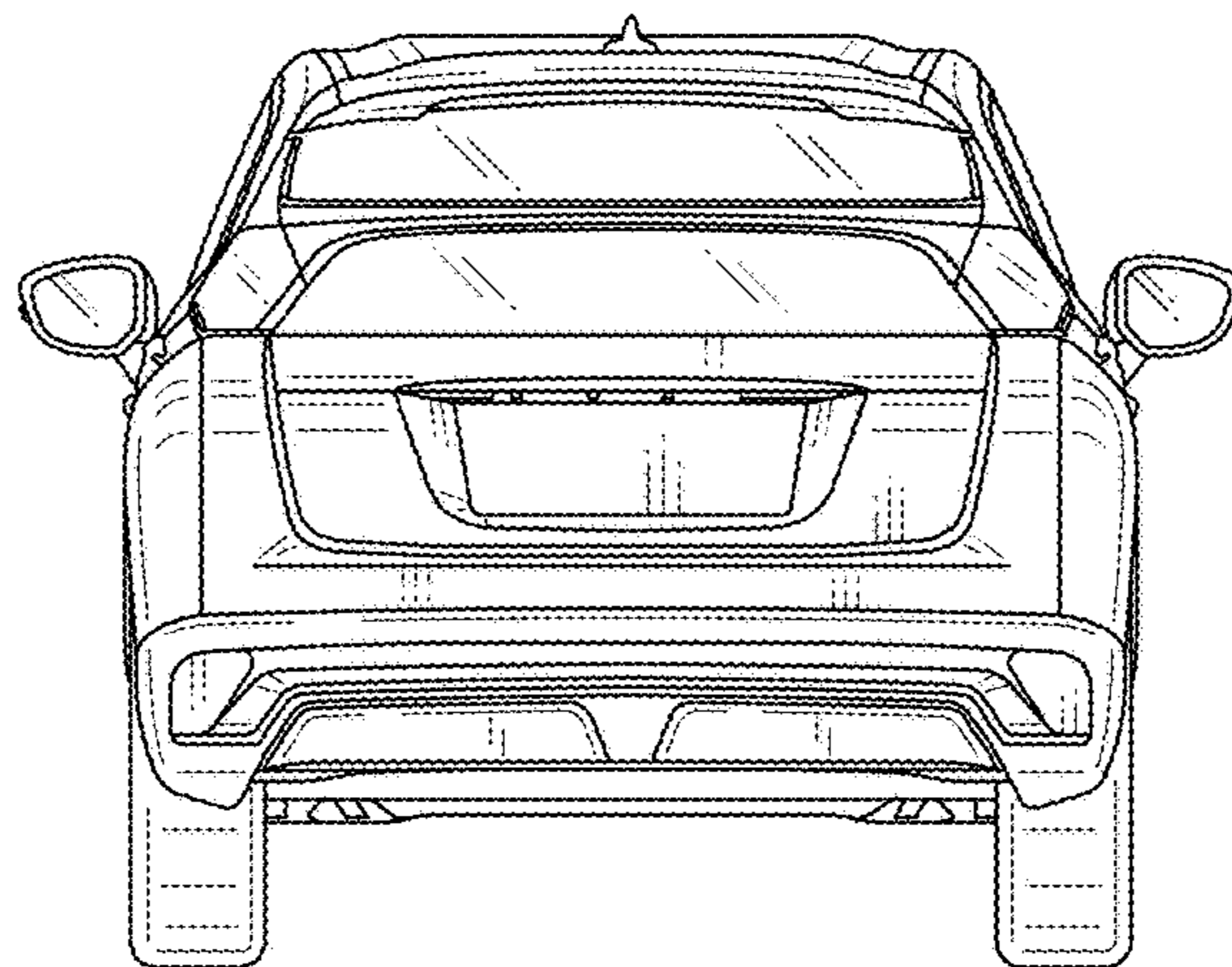


Fig. 7

